



US00D423473S

United States Patent [19]

Iwamoto

[11] Patent Number: **Des. 423,473**

[45] Date of Patent: **** Apr. 25, 2000**

[54] **COMPUTER ACCESSORY**

[75] Inventor: **Hideto Iwamoto**, Tokyo, Japan

[73] Assignee: **Mitsubishi Denki Kabushiki Kaisha**,
Tokyo, Japan

[**] Term: **14 Years**

[21] Appl. No.: **29/100,881**

[22] Filed: **Feb. 18, 1999**

[30] **Foreign Application Priority Data**

Sep. 10, 1998 [JP] Japan 10-25835

[51] **LOC (6) Cl.** **14-02**

[52] **U.S. Cl.** **D14/107**

[58] **Field of Search** D14/100, 105,
D14/107, 114; D13/133; 364/708.1; 439/95,
248

[56] **References Cited**

U.S. PATENT DOCUMENTS

D. 391,928 3/1998 Kondo et al. D14/107

D. 394,645 5/1998 Inoue D14/107
D. 395,871 7/1998 Iino D14/107
D. 396,454 7/1998 Shima et al. D14/114

Primary Examiner—Freda Nunn
Attorney, Agent, or Firm—Oblon, Spivak, McClelland,
Maier & Neustadt, P.C.

[57] **CLAIM**

The ornamental design for a computer accessory, as shown and described.

DESCRIPTION

FIG. 1 is a front elevational view of a computer accessory, showing my new design;
FIG. 2 is a rear elevational view thereof;
FIG. 3 is a left side elevational view thereof;
FIG. 4 is a right side elevational view thereof;
FIG. 5 is a top plan view thereof;
FIG. 6 is a bottom plan view thereof;
FIG. 7 is an enlarged cross-sectional view thereof, taken along line 7—7 in FIG. 1, with the internal system omitted; and,
FIG. 8 is a front, top and right side perspective view thereof.

1 Claim, 6 Drawing Sheets

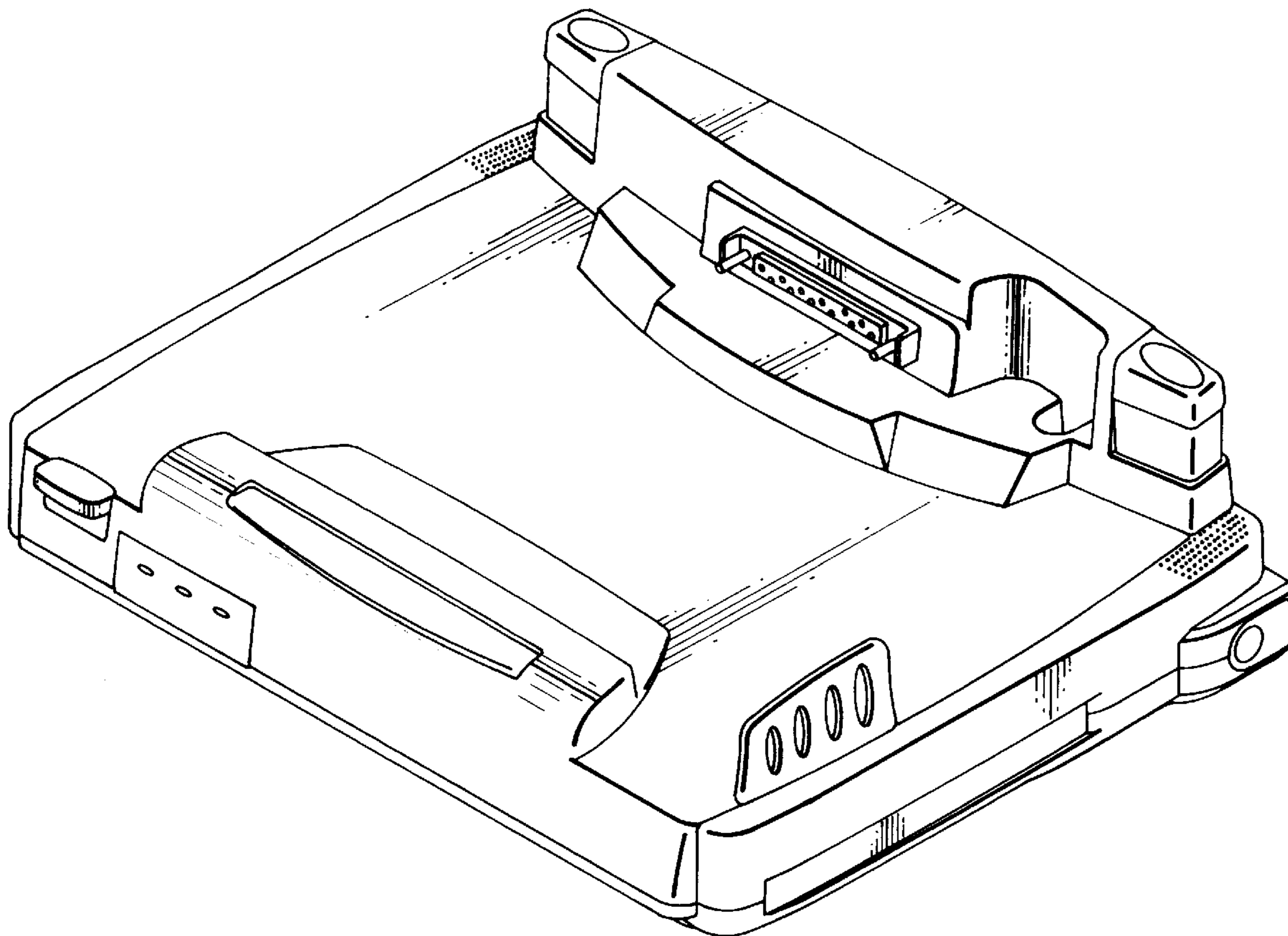


FIG. 1

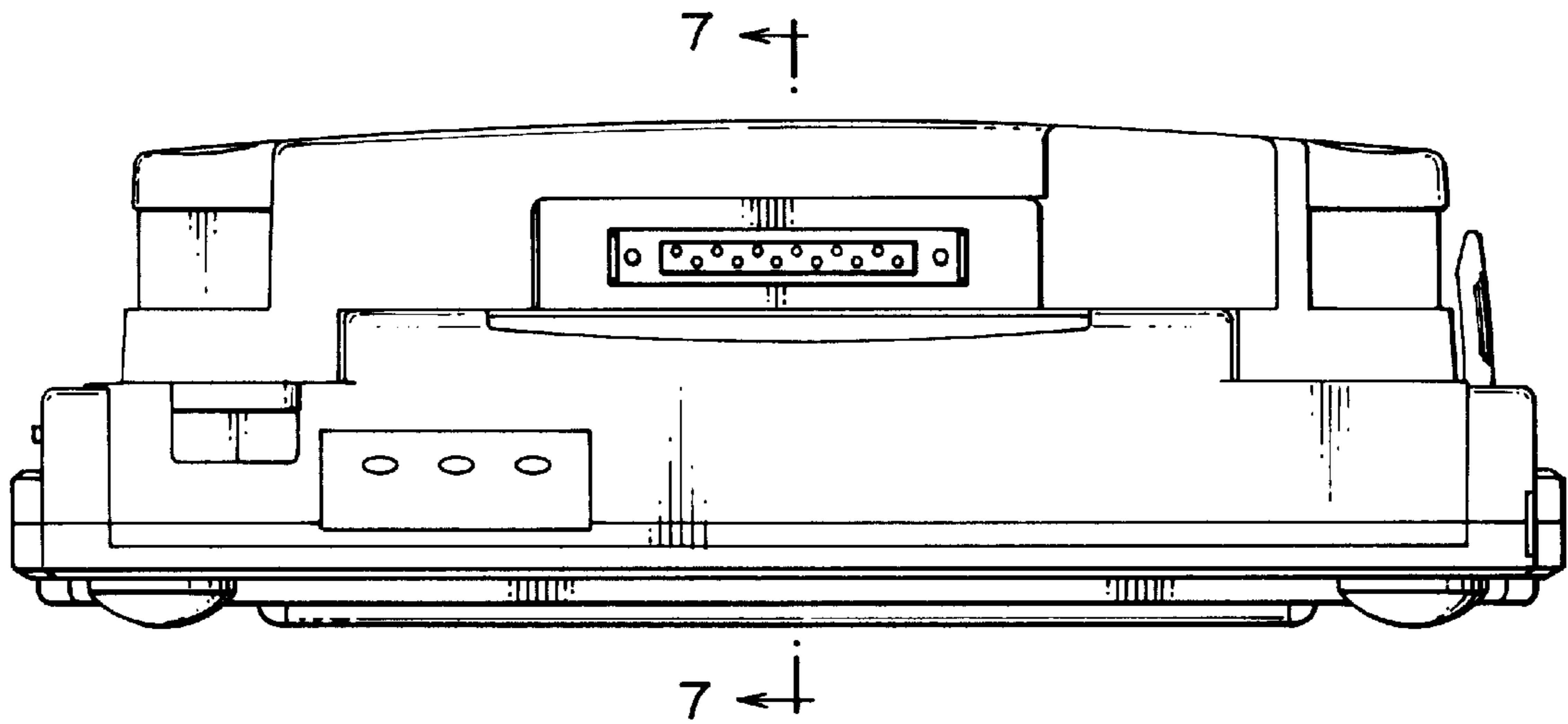


FIG. 2

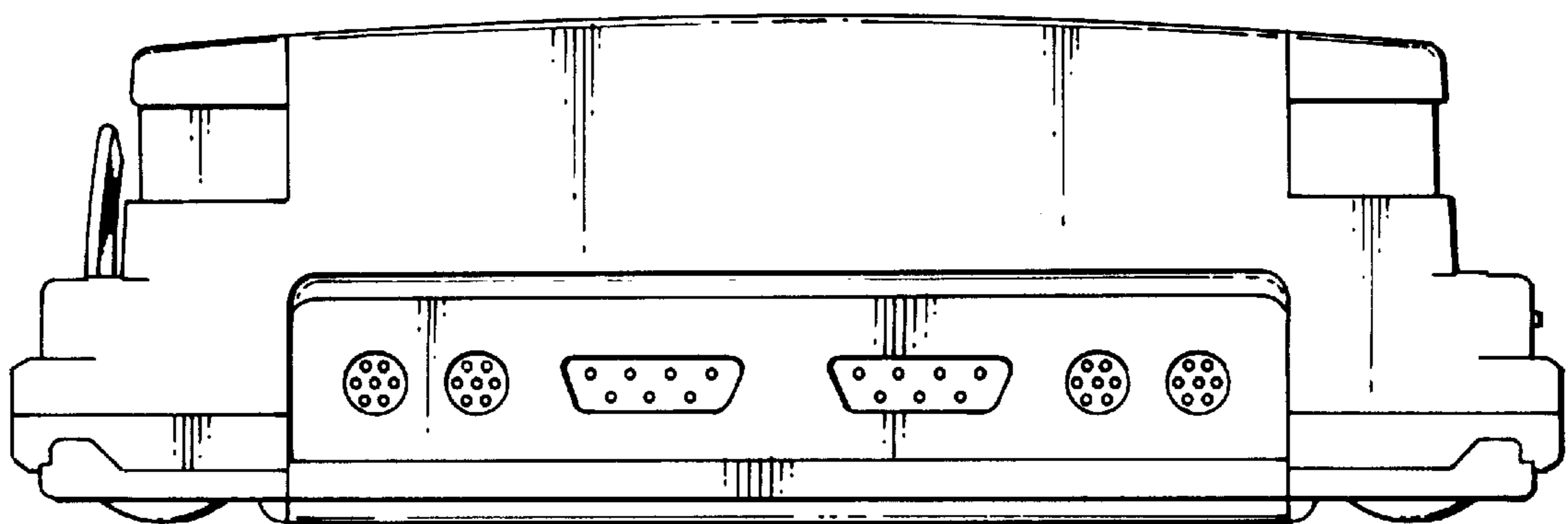


FIG. 3

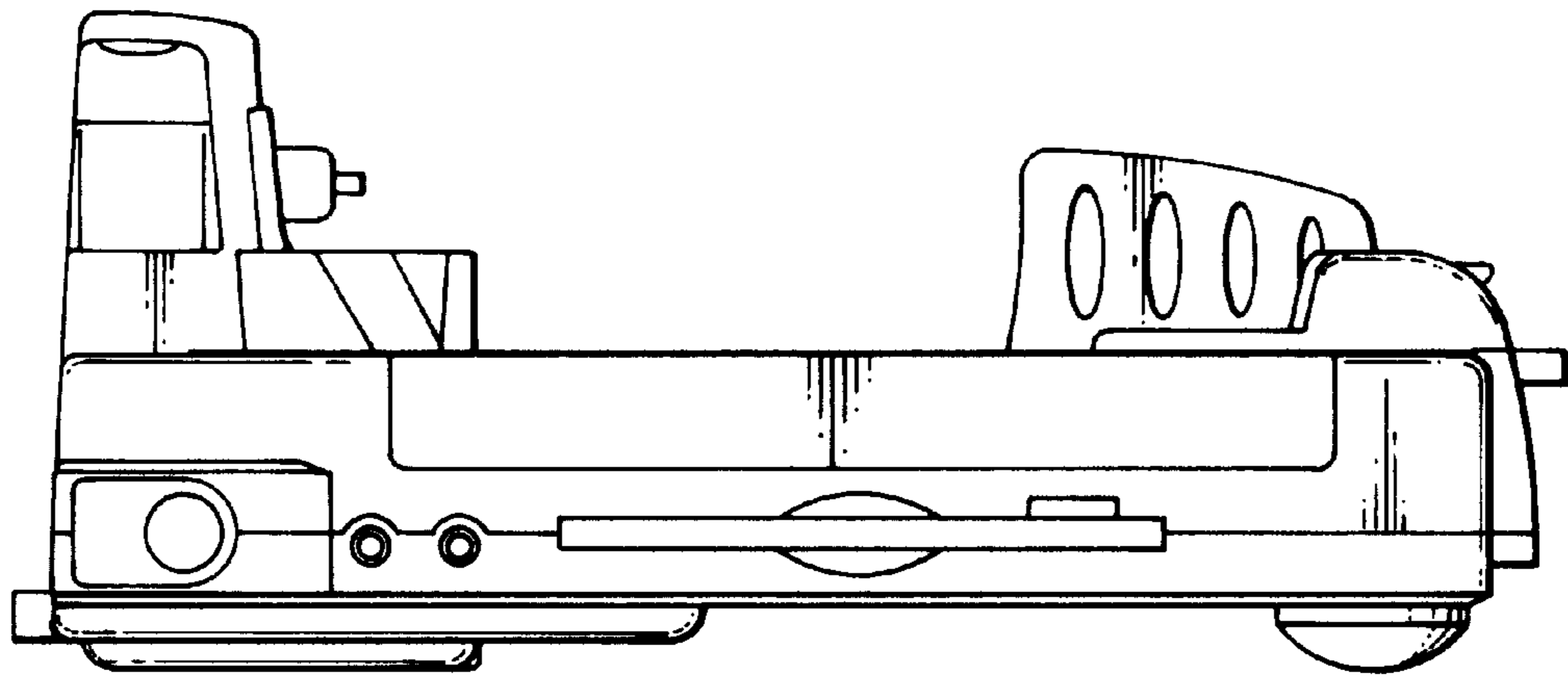


FIG. 4

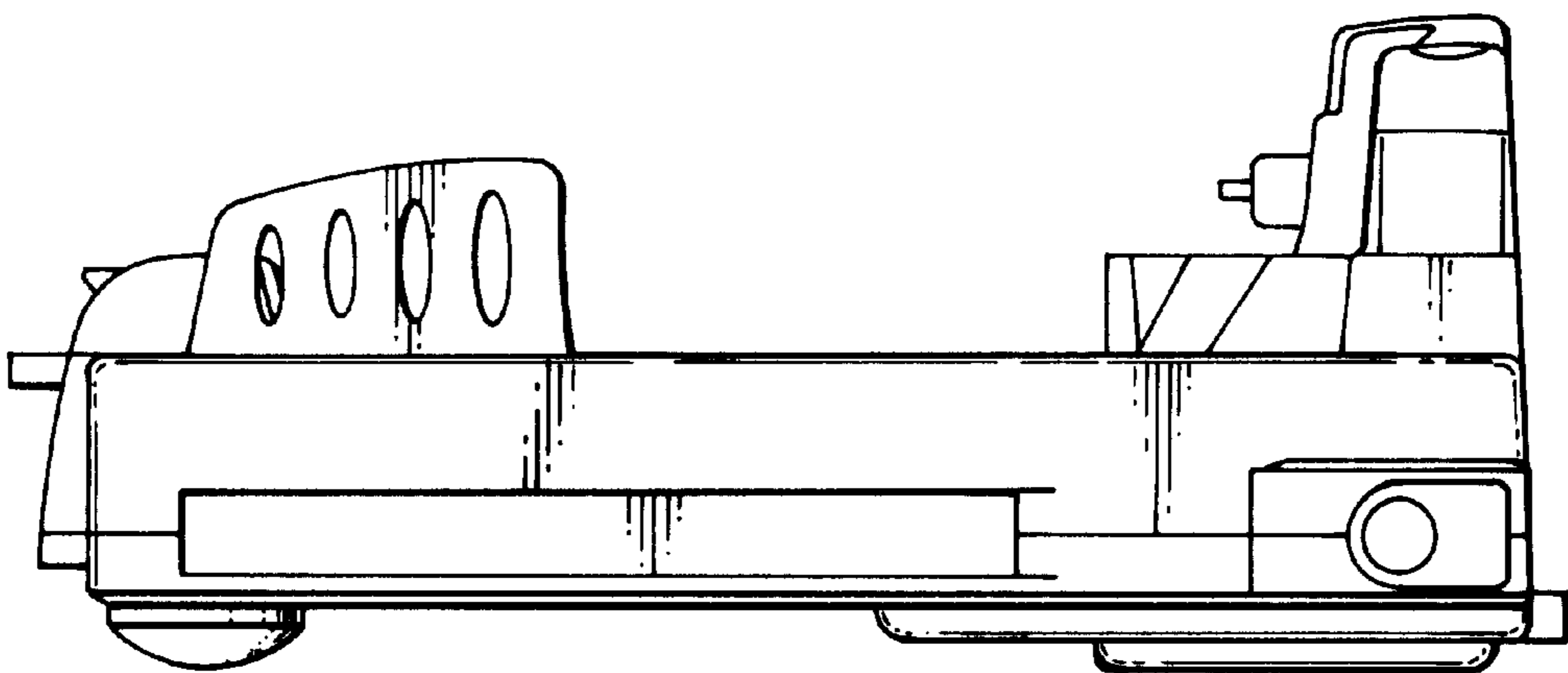


FIG. 5

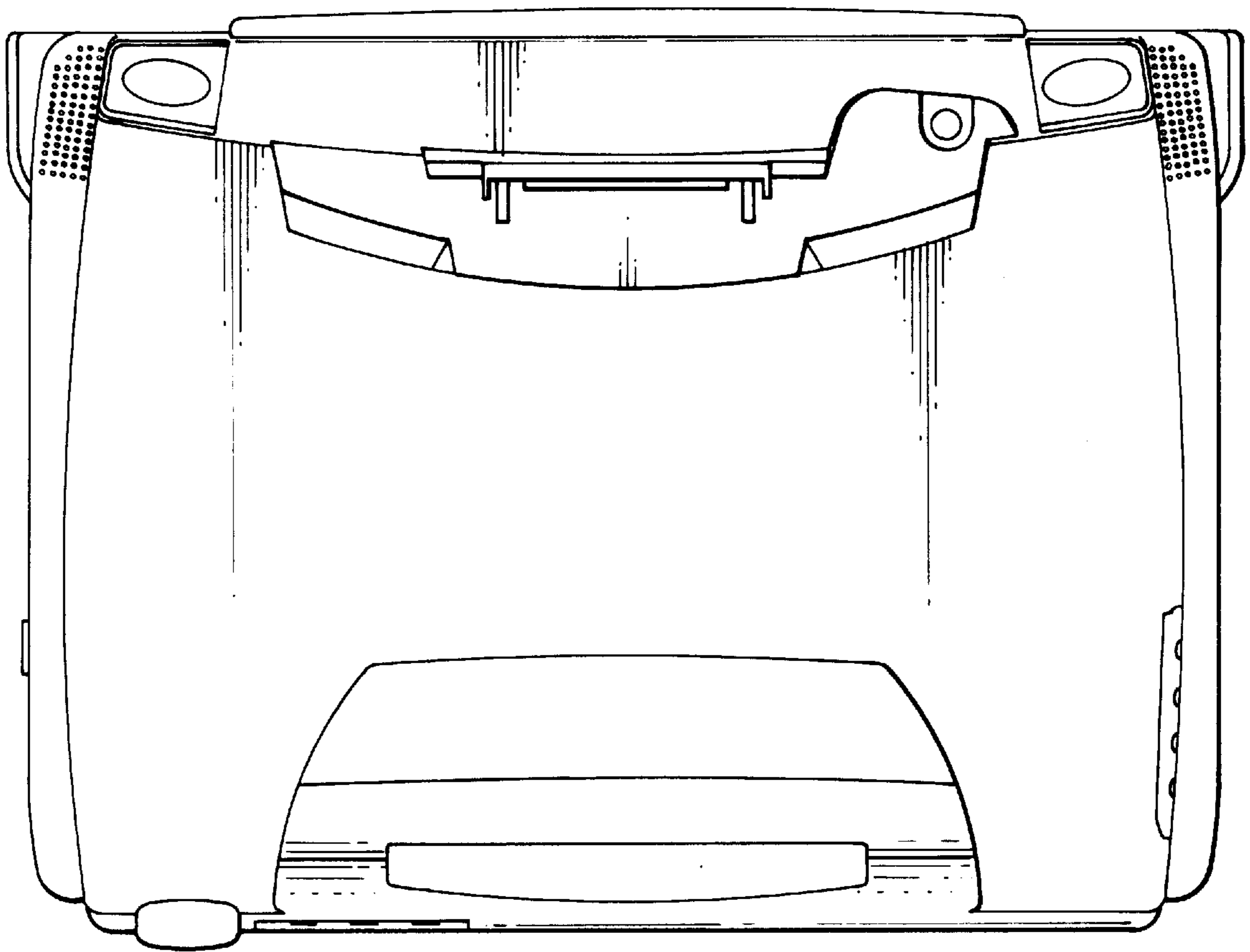


FIG. 6

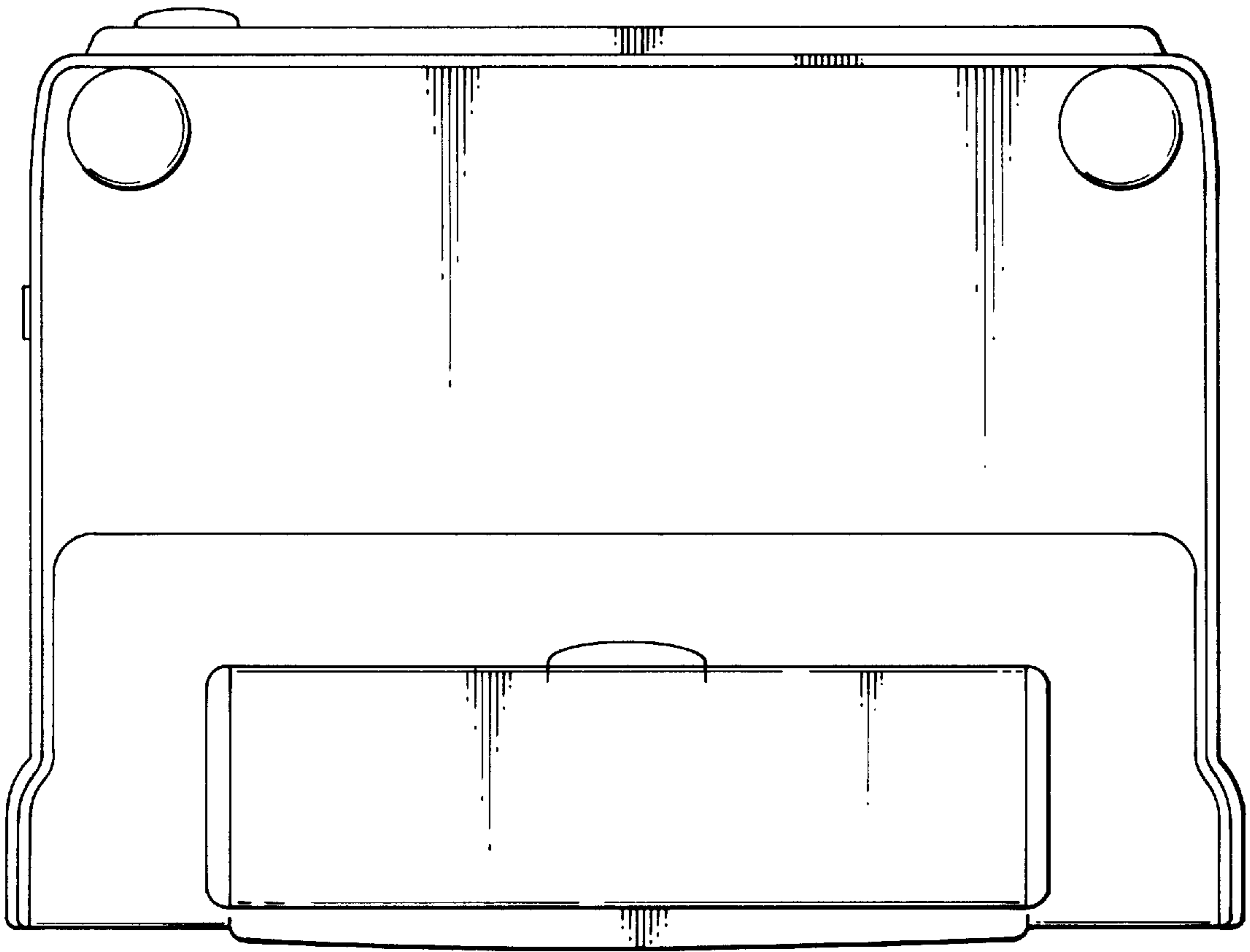


FIG. 7

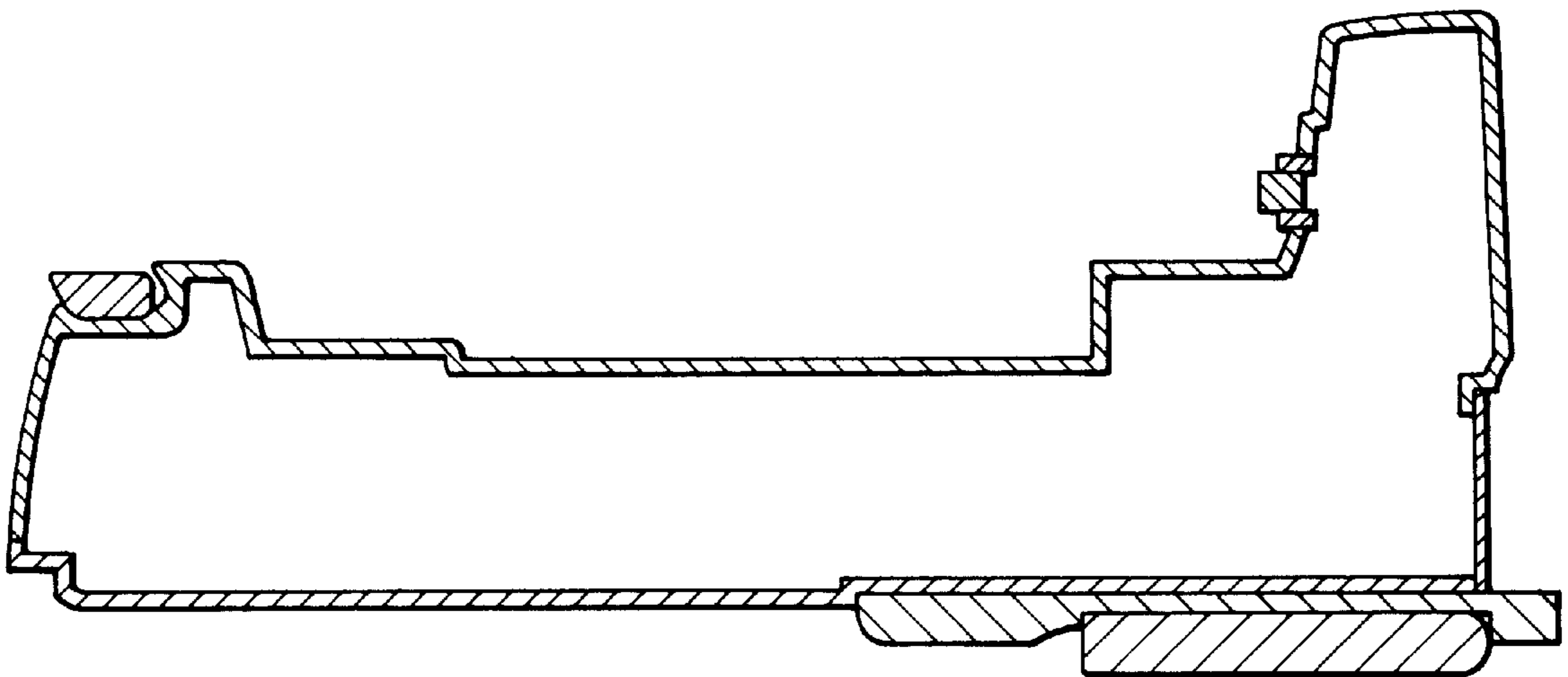


FIG. 8

