



US00D423472S

United States Patent [19] Adachi

[11] Patent Number: Des. 423,472

[45] Date of Patent: ** Apr. 25, 2000

[54] **IMAGE INPUT EQUIPMENT**

[75] Inventor: Tomoyuki Adachi, Aichi, Japan

[73] Assignee: Elmo Co., Ltd., Aichi, Japan

[**] Term: 14 Years

[21] Appl. No.: 29/086,440

[22] Filed: Apr. 13, 1998

[30] **Foreign Application Priority Data**

Oct. 13, 1997 [JP] Japan 9-71257

[51] **LOC (6) Cl.** 14-02

[52] **U.S. Cl.** D14/107; D16/232

[58] **Field of Search** D16/221, 225,
D16/229, 232, 233, 234; D14/100, 107;
353/66, 119, 112, DIG. 3, DIG. 4; 348/373-376

[56] **References Cited**

U.S. PATENT DOCUMENTS

- D. 323,819 2/1992 Imura D14/107
- D. 364,852 12/1995 Park D14/107
- D. 376,139 12/1996 Hasegawa D14/107

- D. 387,038 12/1997 Sakuta et al. D14/107
- 5,247,330 9/1993 Ohyama et al. 348/375
- 5,757,519 5/1998 Yoo 358/475
- 5,796,495 8/1998 Miyata et al. 358/471

Primary Examiner—Adir Aronovich
Attorney, Agent, or Firm—Koda & Androlia

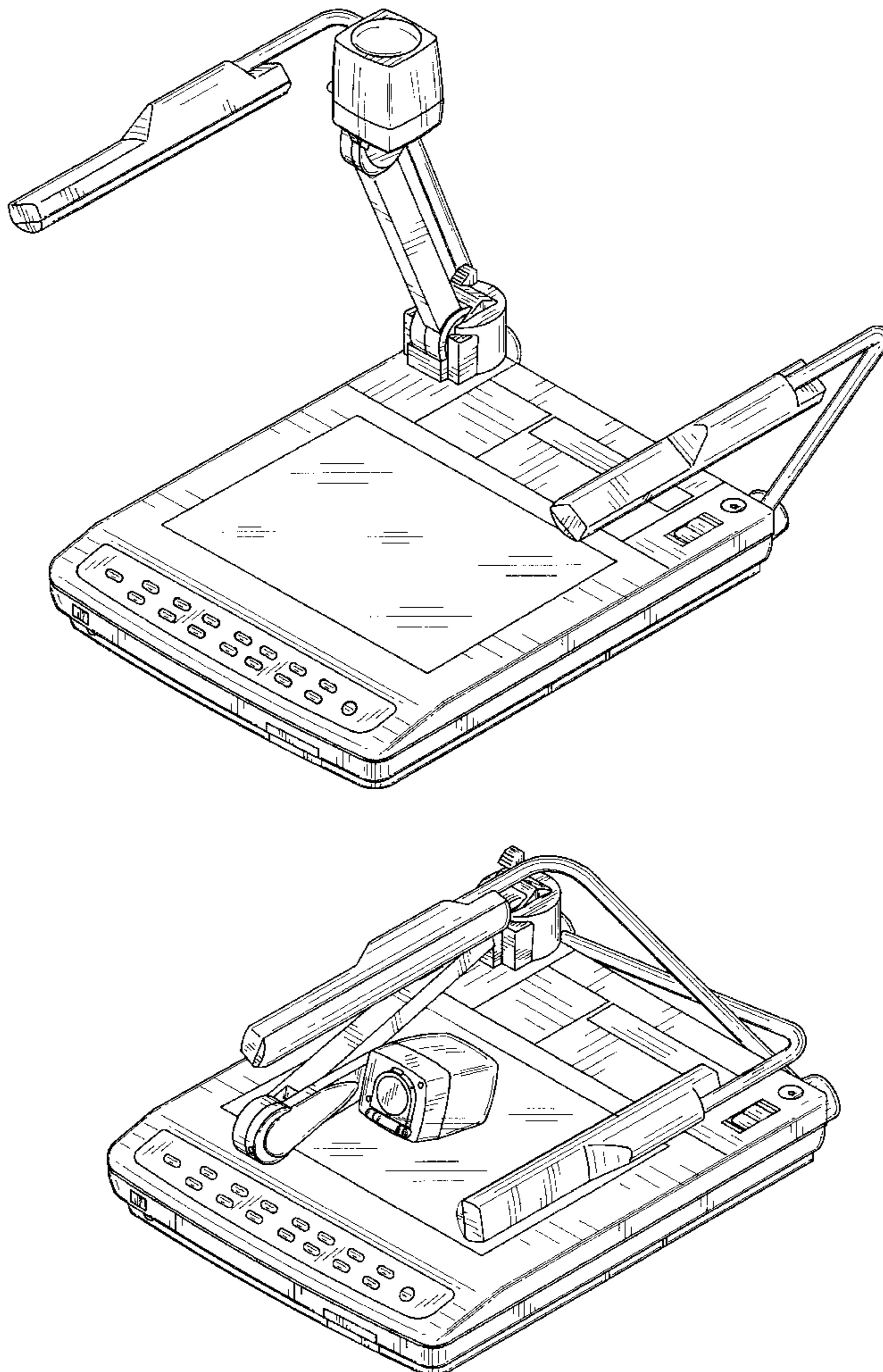
[57] **CLAIM**

The ornamental design for an image input equipment, as shown and described.

DESCRIPTION

FIG. 1 is a front elevational view of the image input equipment showing my new design; FIG. 2 is a rear elevational view thereof; FIG. 3 is a top view thereof; FIG. 4 is bottom view thereof; FIG. 5 is a right side elevational view thereof; FIG. 6 is a left side elevational view thereof; FIG. 7 is a perspective view taken from the front, top and right side of the image input equipment; and, FIG. 8 is a perspective view taken from the front, top and right side of the image input equipment folded up.

1 Claim, 8 Drawing Sheets



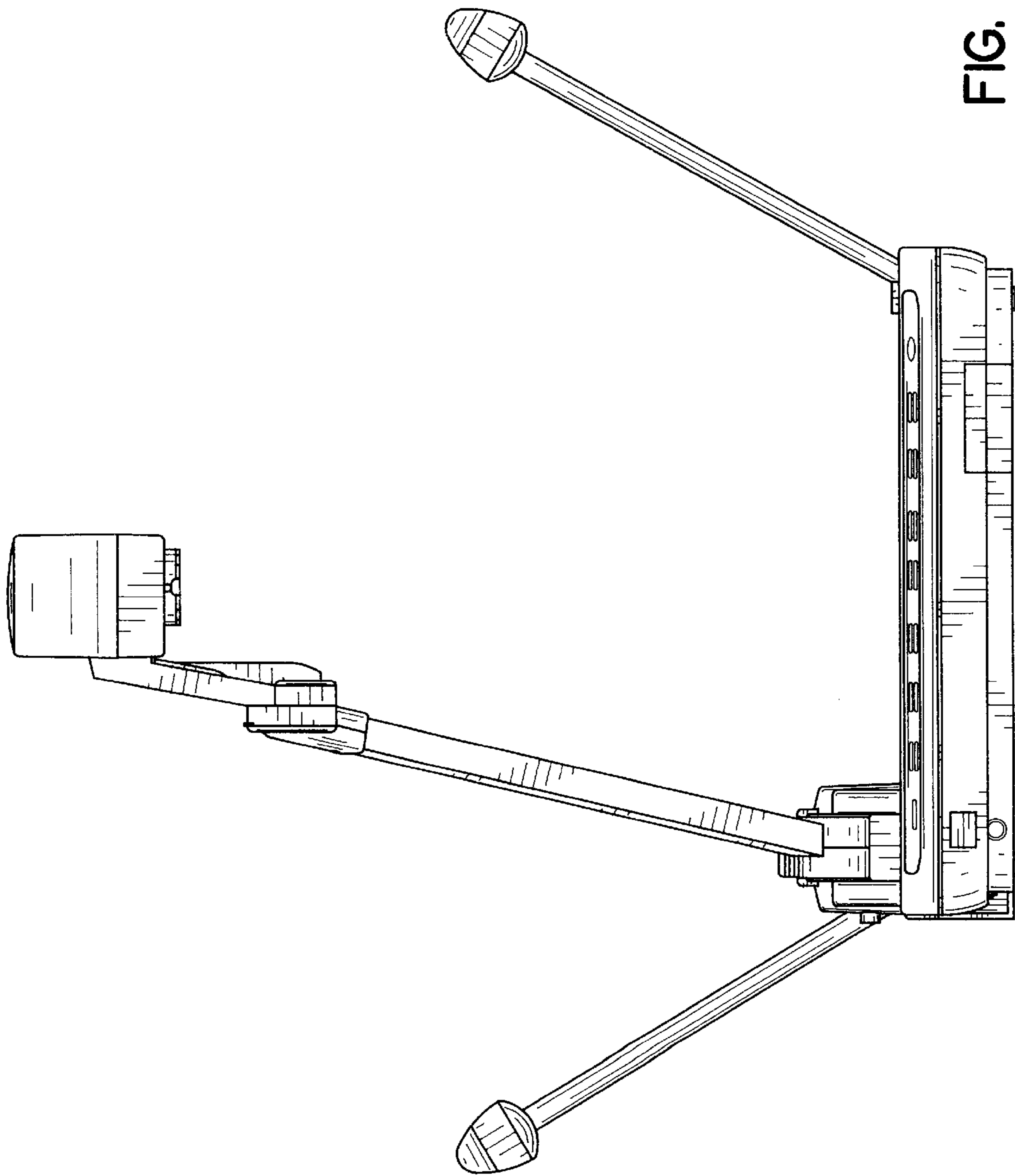


FIG. 1

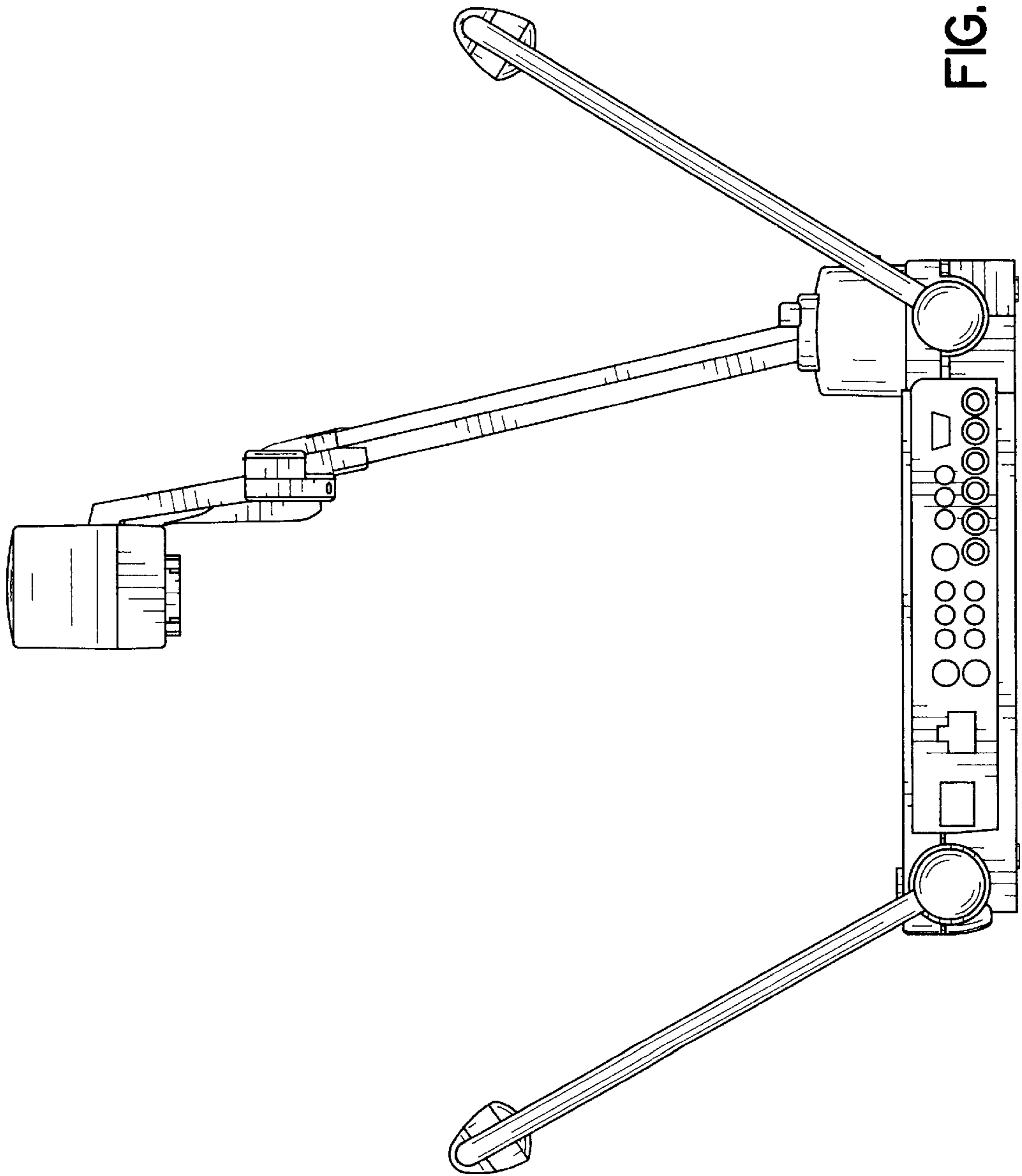


FIG. 2

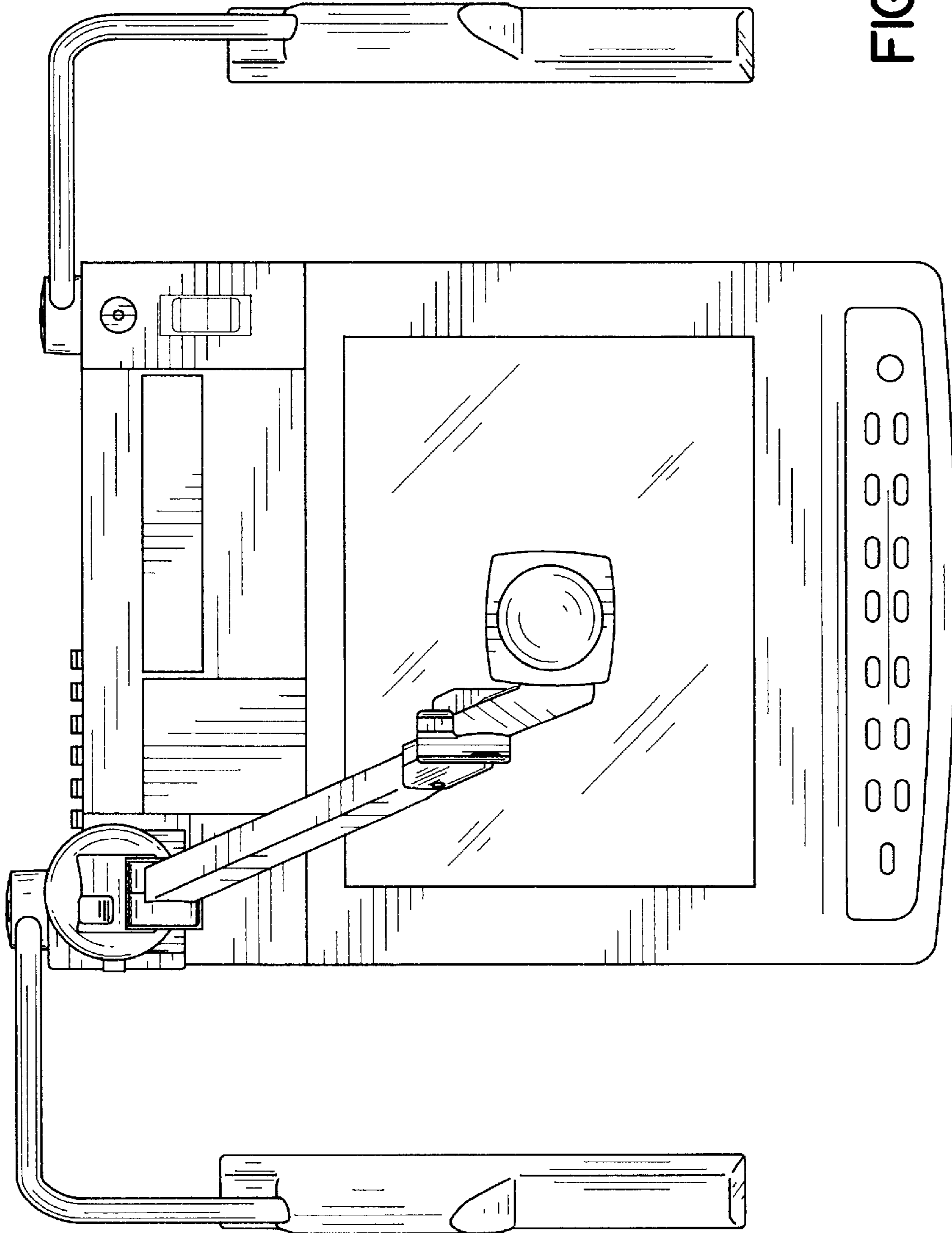


FIG. 3

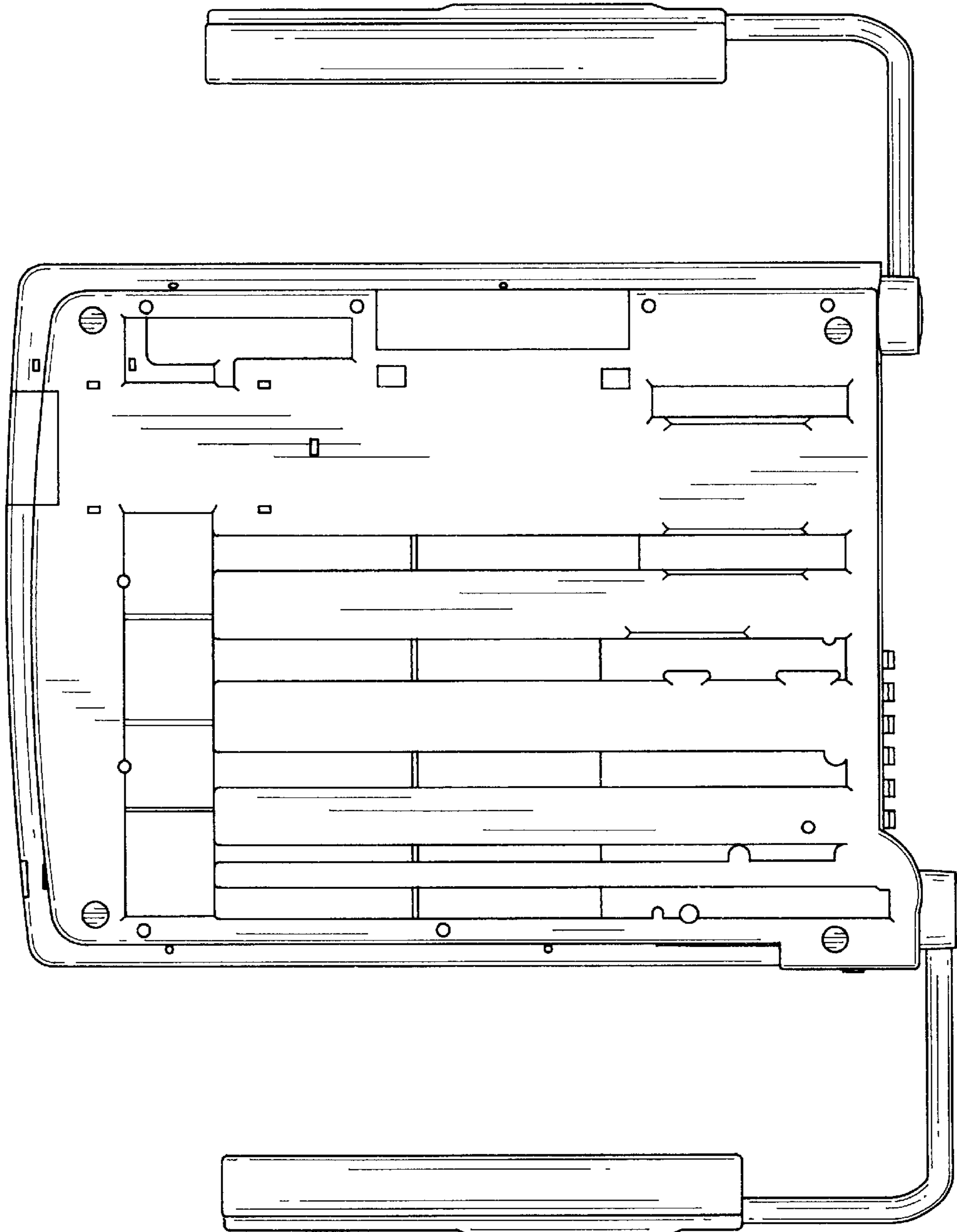


FIG. 4

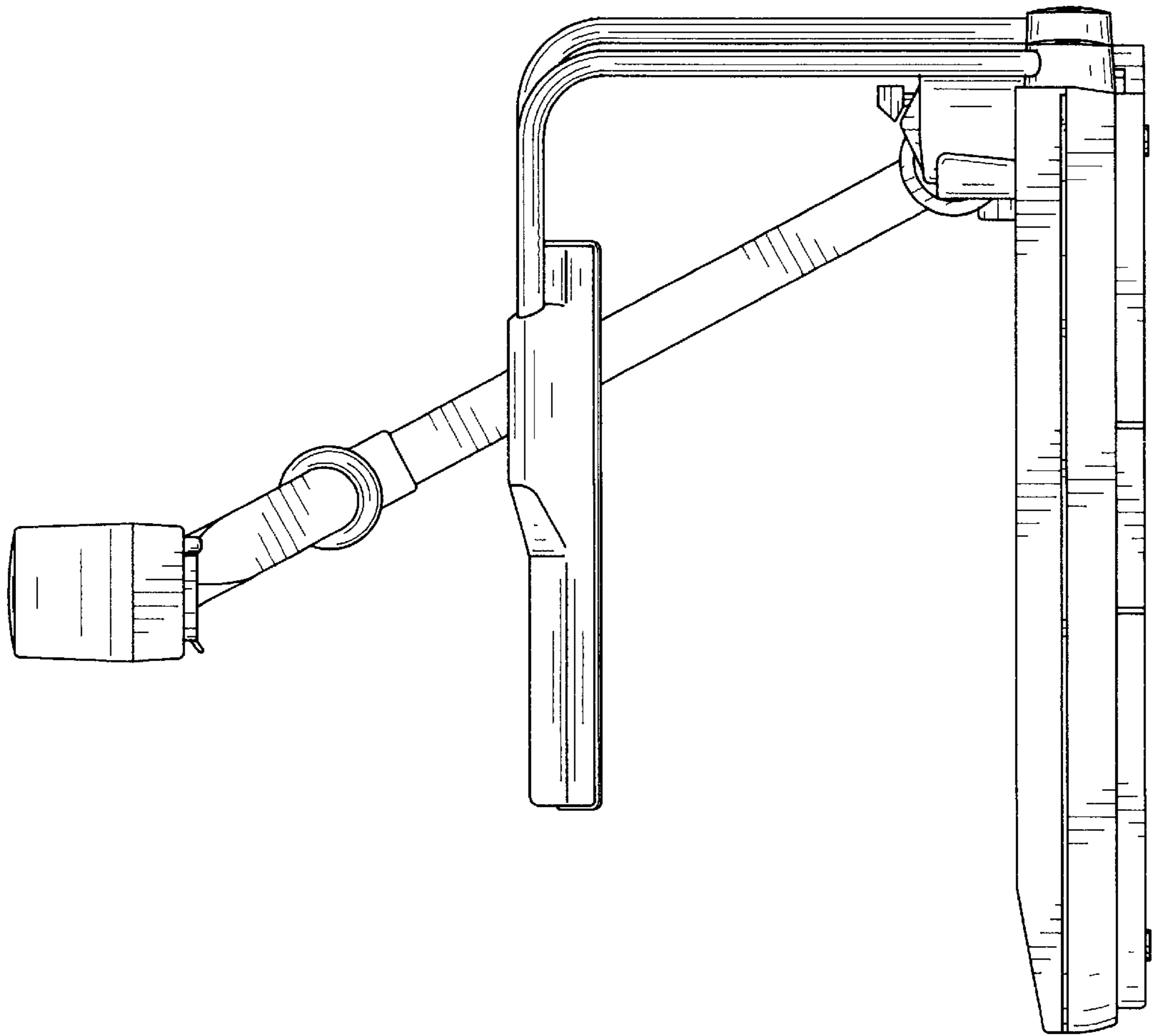


FIG. 5

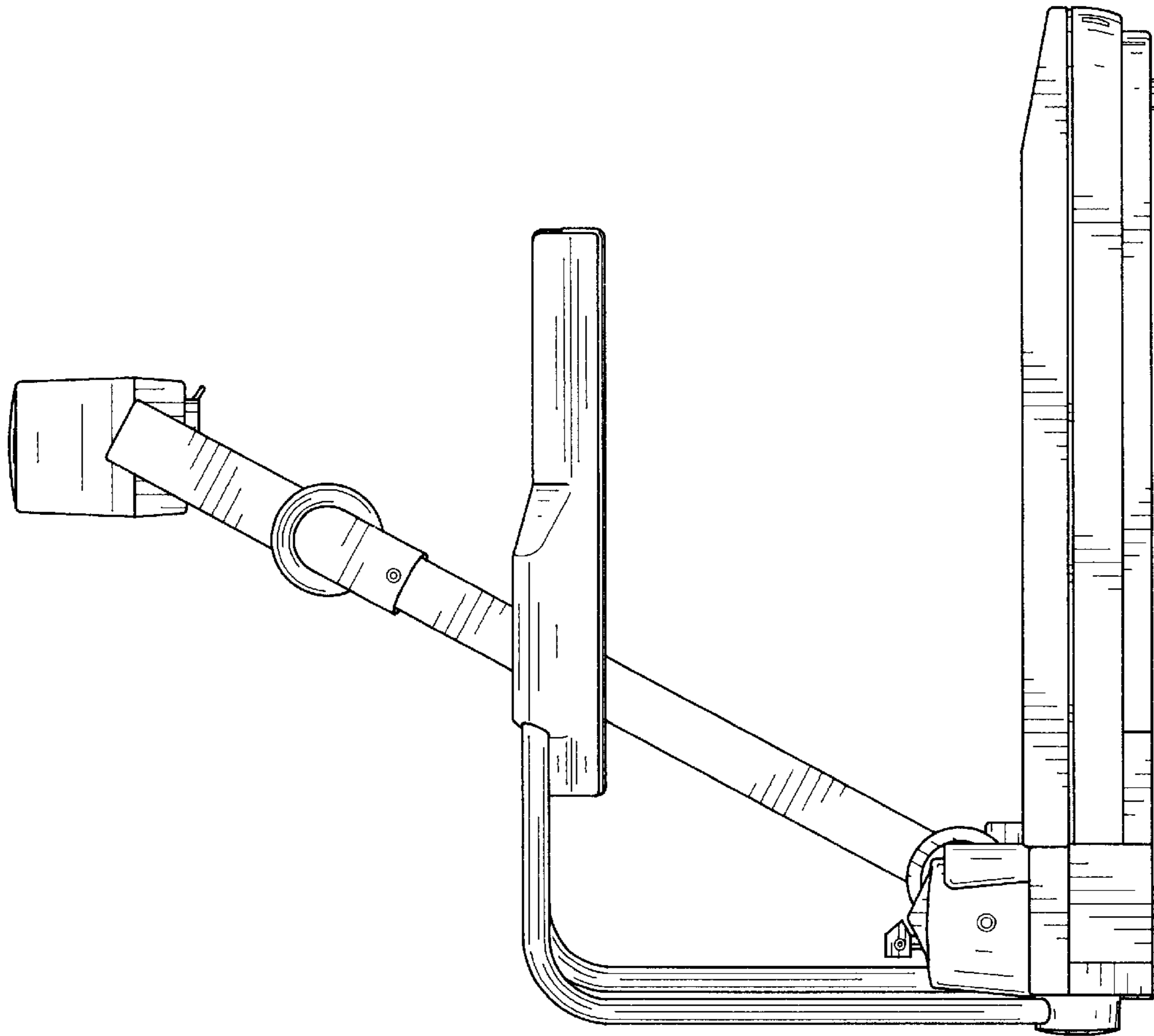


FIG. 6

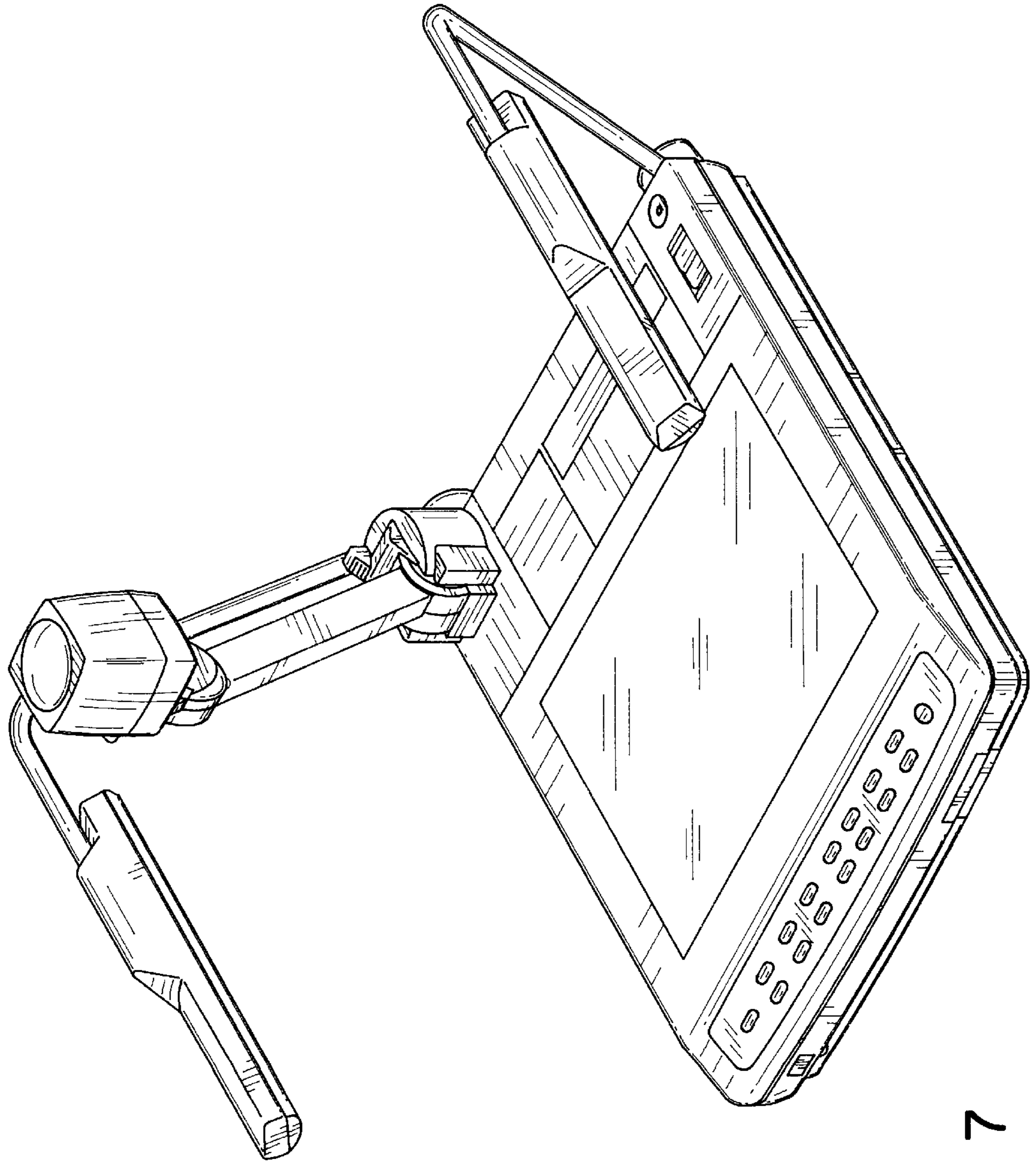


FIG. 7

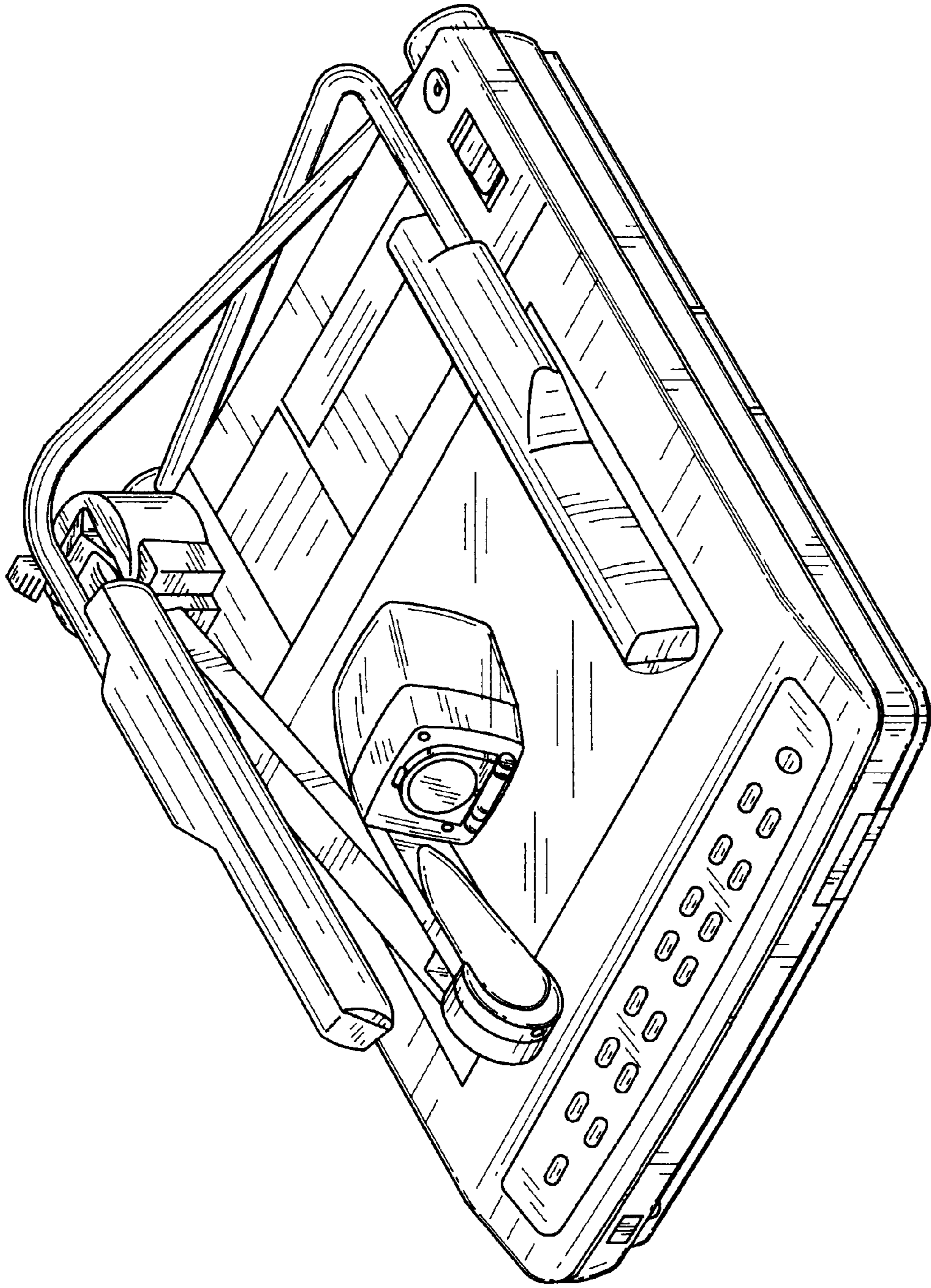


FIG. 8