



US00D423471S

United States Patent [19]

Minemoto et al.

[11] Patent Number: **Des. 423,471**

[45] Date of Patent: **** Apr. 25, 2000**

[54] **IC CARD READER AND WRITER**

D. 298,944 12/1988 Stark et al. D14/105
D. 320,197 9/1991 Weber D14/114
D. 379,825 6/1997 Droege et al. D18/4

[75] Inventors: **Takeshi Minemoto**, Sagamihara;
Masayuki Ohki, Kodaira; **Koji Suso**,
Kokubunji; **Takashi Matsubara**,
Kodaira; **Yuhei Abe**, Hitachinaka, all of
Japan

Primary Examiner—Freda Nunn
Attorney, Agent, or Firm—Antonelli, Terry, Stout & Kraus,
LLP

[73] Assignee: **Hitachi, Ltd.**, Tokyo, Japan

[57] **CLAIM**

[**] Term: **14 Years**

The ornamental design for an IC card reader and writer, as shown and described.

[21] Appl. No.: **29/100,024**

DESCRIPTION

[22] Filed: **Feb. 2, 1999**

[30] **Foreign Application Priority Data**

Jan. 18, 1999 [JP] Japan 11-679

[51] **LOC (6) Cl.** **14-02**

[52] **U.S. Cl.** **D14/105; D14/107; D14/114**

[58] **Field of Search** D14/100, 105,
D14/107-109, 114; D18/4, 7; 235/380,
382, 382.5; 250/556; 361/737

FIG. 1 is a front, top and left side perspective view of an IC card reader and writer showing our new design;
FIG. 2 is a rear, top and left side perspective view thereof;
FIG. 3 is a front elevational view thereof;
FIG. 4 is a rear elevational view thereof;
FIG. 5 is a top plan view thereof;
FIG. 6 is a bottom plan view thereof;
FIG. 7 is a right side elevational view thereof; and,
FIG. 8 is a left side elevational view thereof.

[56] **References Cited**

U.S. PATENT DOCUMENTS

D. 242,469 11/1976 Arnold et al. D14/105

1 Claim, 4 Drawing Sheets

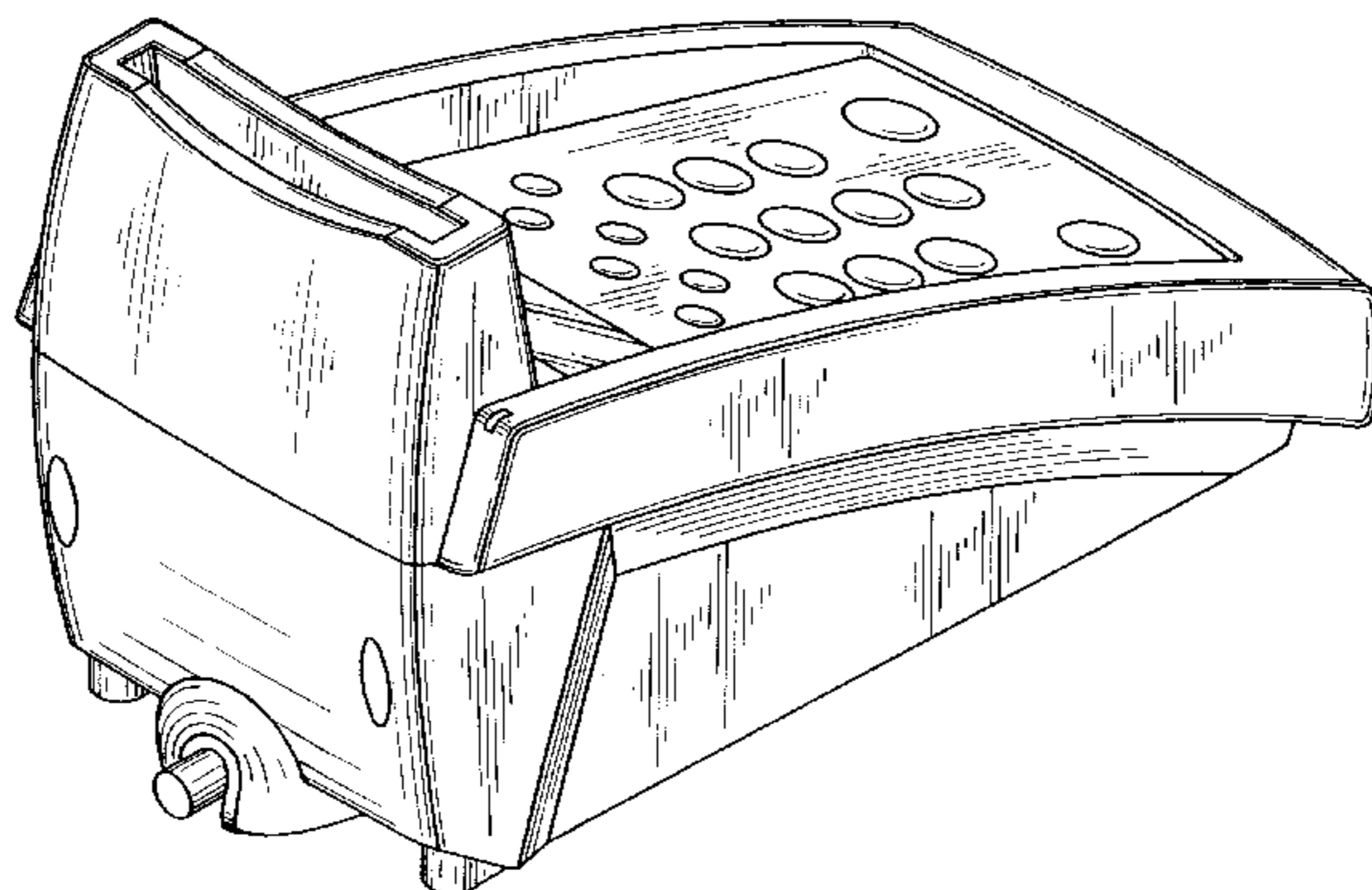
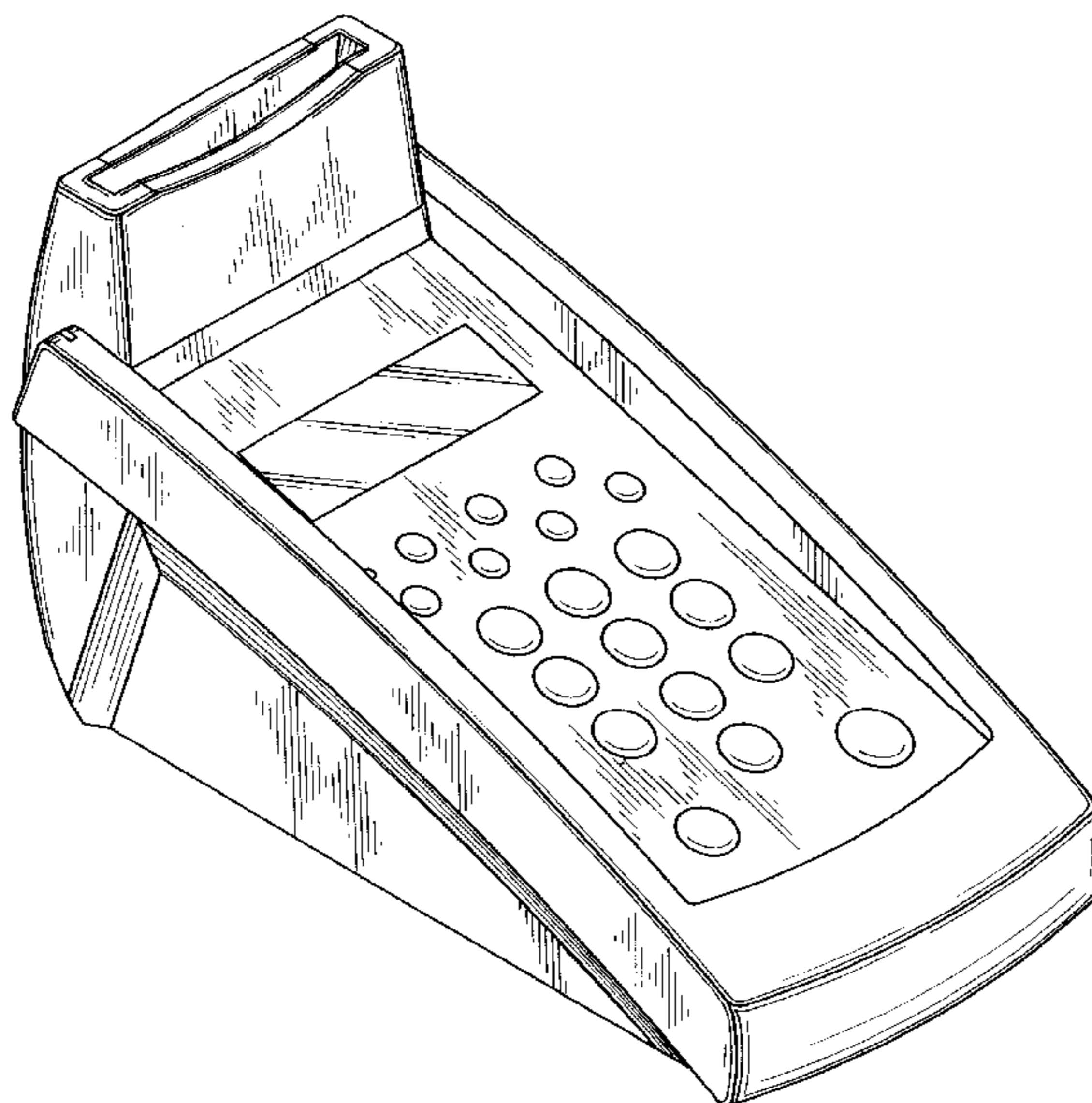


FIG. 1

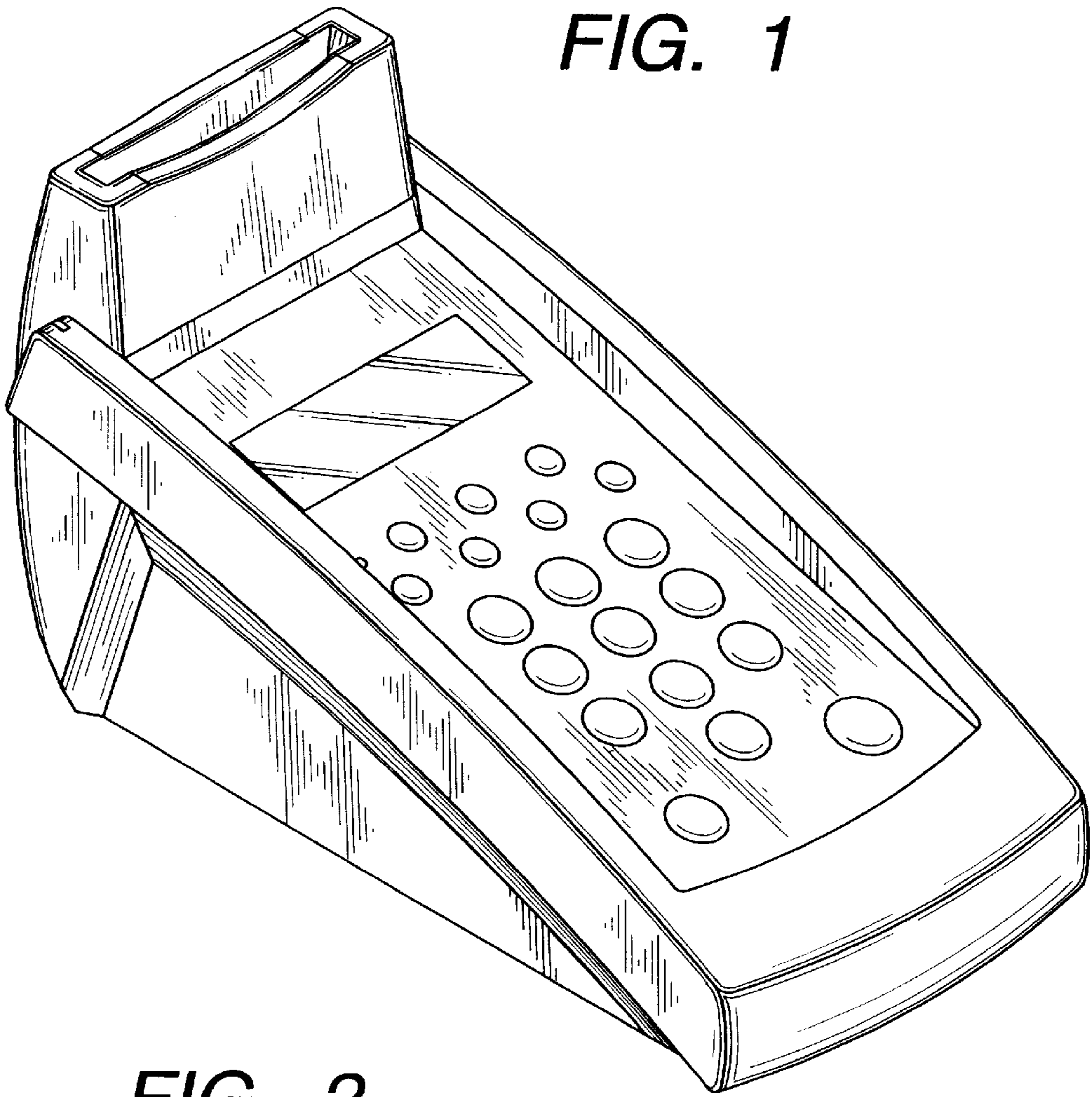


FIG. 2

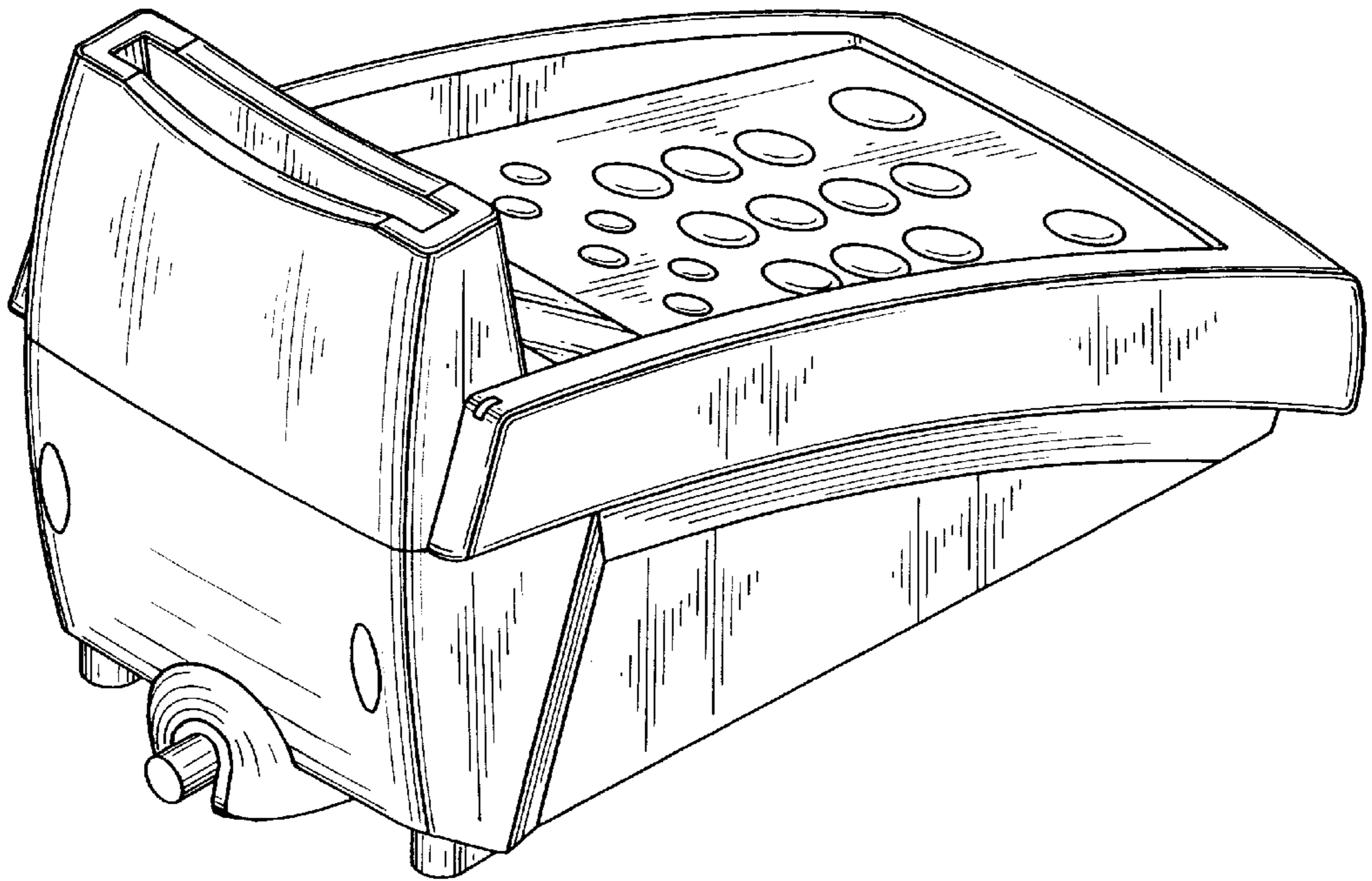


FIG. 3

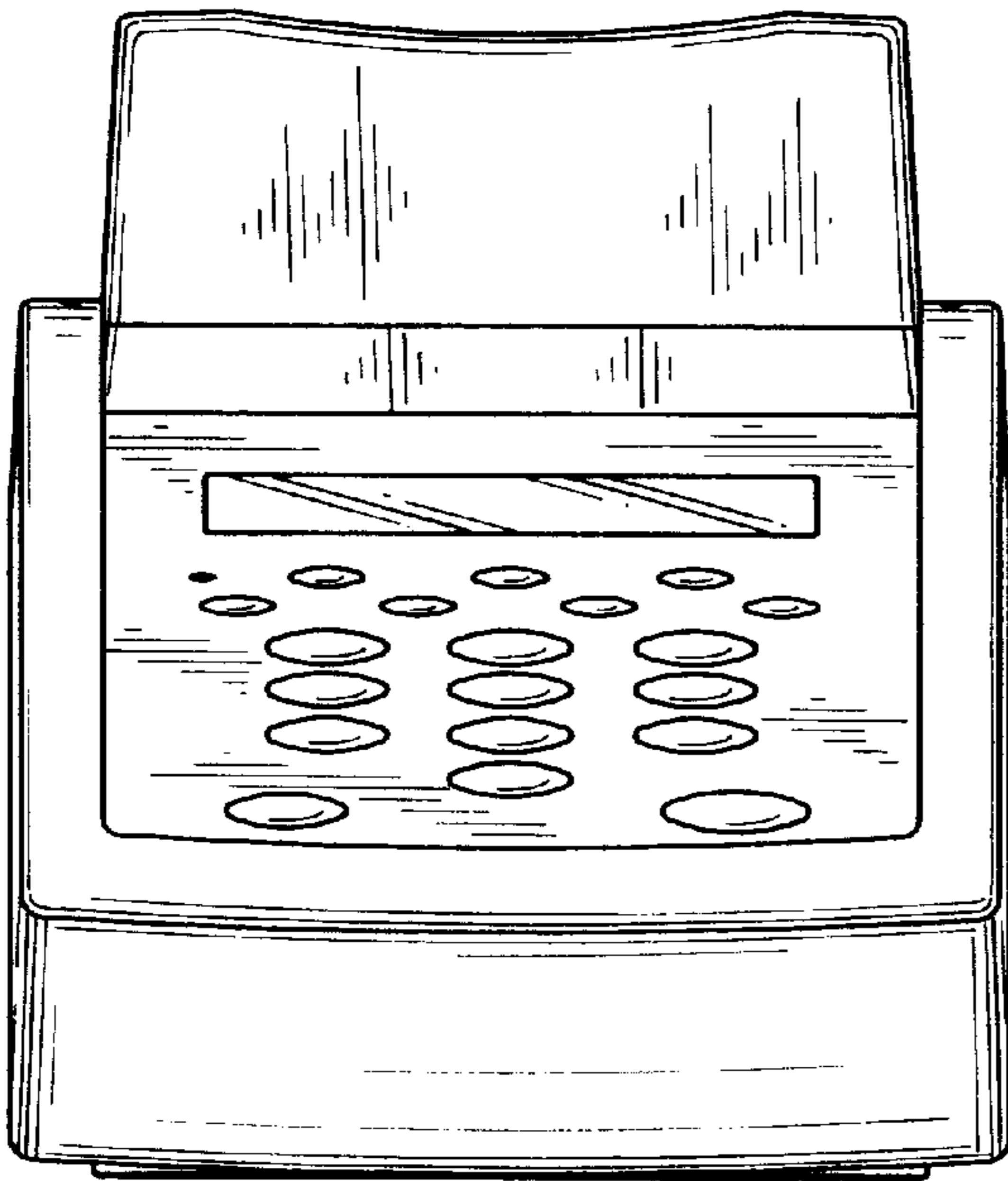


FIG. 4

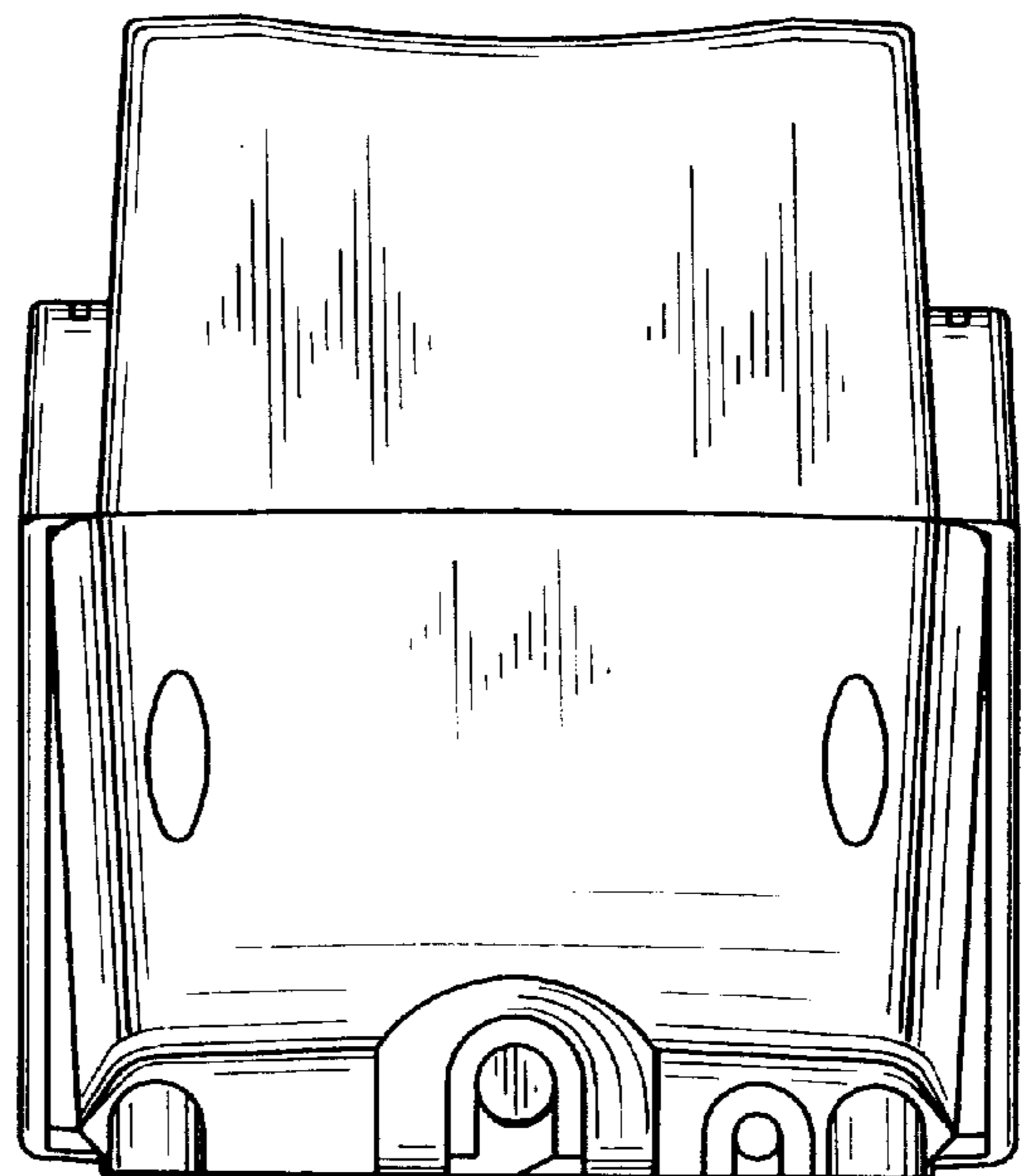


FIG. 5

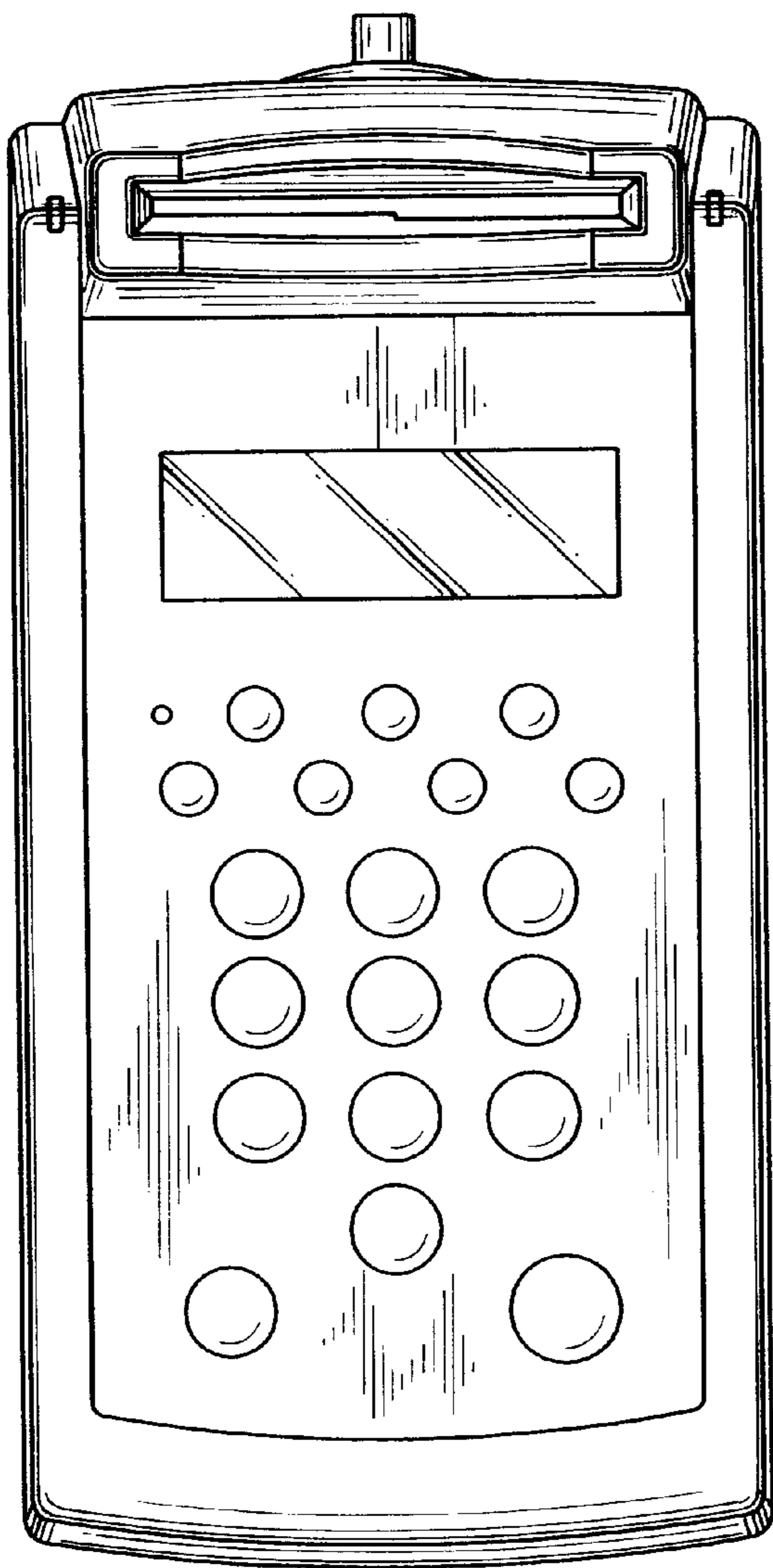


FIG. 6

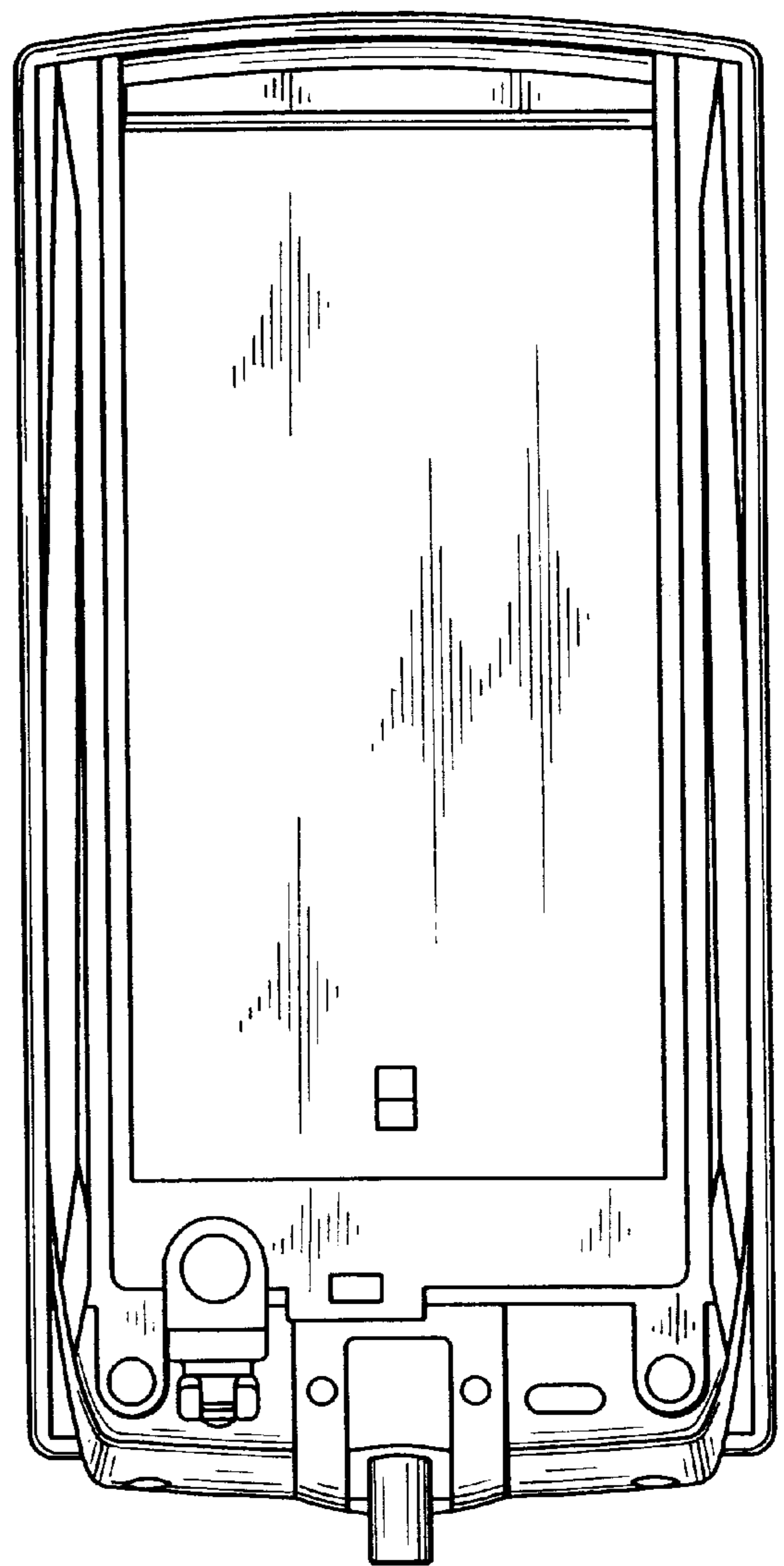


FIG. 7

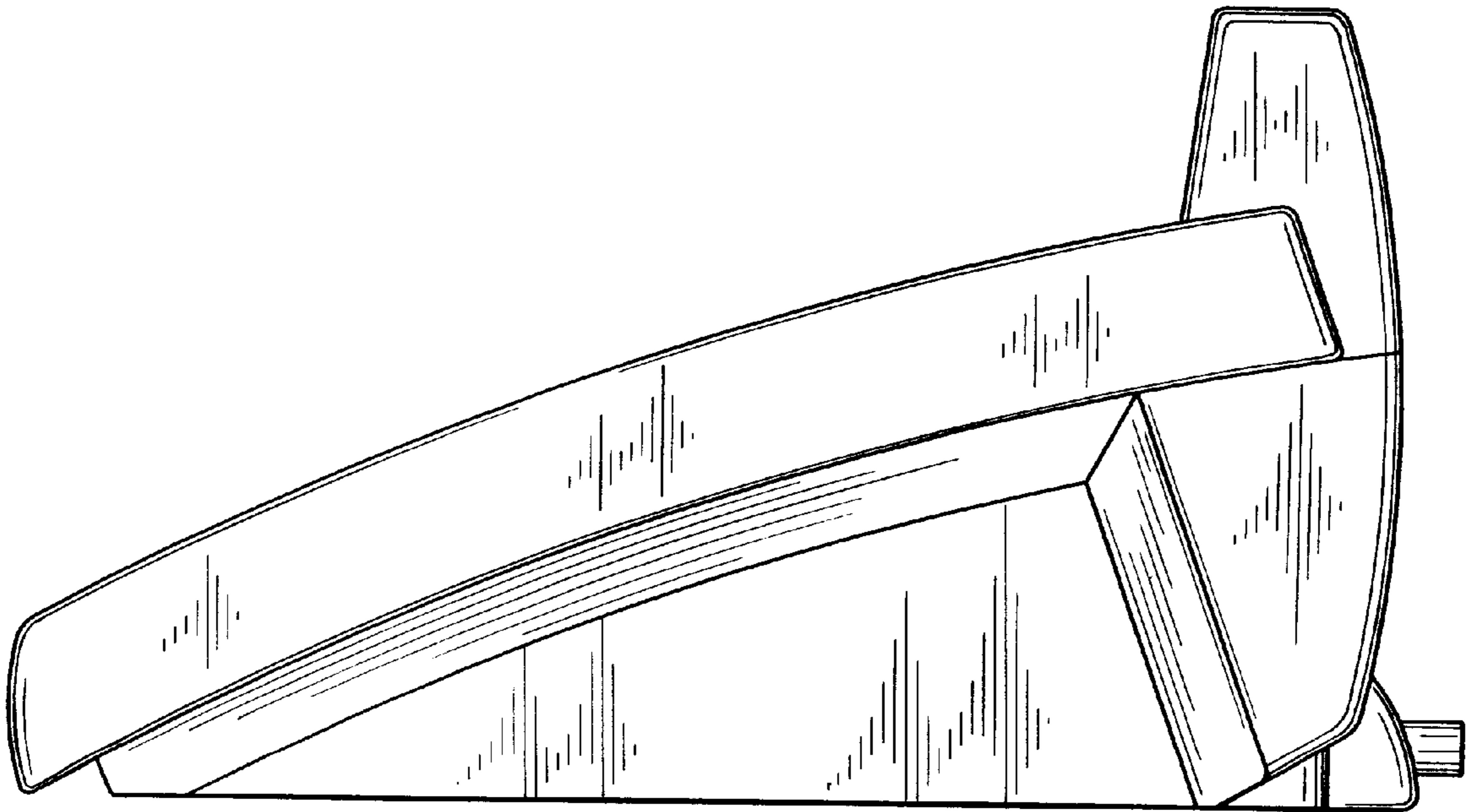


FIG. 8

