



US00D423470S

United States Patent [19]

Neifer et al.

[11] **Patent Number: Des. 423,470**

[45] **Date of Patent: ** Apr. 25, 2000**

[54] **CHIP CARD READER**

5,640,307 6/1997 Bleier et al. 361/740
5,796,085 8/1998 Bleier 235/441

[75] Inventors: **Wolfgang Neifer**, Freising; **Robert Schneider**, Pfaffenhofen, both of Germany

Primary Examiner—Freda Nunn
Attorney, Agent, or Firm—Sixbey, Friedman, Leedom & Ferguson, PC; Stuart J. Friedman

[73] Assignee: **SCM Microsystems GmbH**, Germany

[57] **CLAIM**

[**] Term: **14 Years**

The ornamental design for a chip card reader, as shown and described.

[21] Appl. No.: **29/099,550**

[22] Filed: **Jan. 22, 1999**

[30] **Foreign Application Priority Data**

Jul. 24, 1998 [DE] Germany 498 07 510

[51] **LOC (6) Cl.** **14-02**

[52] **U.S. Cl.** **D14/105**

[58] **Field of Search** D14/100, 105, D14/107; D18/4, 7; 235/379, 380, 382, 382.5, 479, 492, 493, 441; 361/740

DESCRIPTION

FIG. 1 is a top plan view of the chip card reader showing our new design;
FIG. 2 is a elevational view of the side of the design that is at the top in FIG. 1;
FIG. 3 is a elevational view of the side of the design that is at the bottom in FIG. 1;
FIG. 4 is a bottom plan view of the design;
FIG. 5 is a rear elevational view thereof;
FIG. 6 is a front elevational view thereof; and,
FIG. 7 is a front perspective view as seen from above and to one side showing our design.

[56] **References Cited**

U.S. PATENT DOCUMENTS

D. 394,428 5/1998 Copeland et al. D14/105

1 Claim, 2 Drawing Sheets

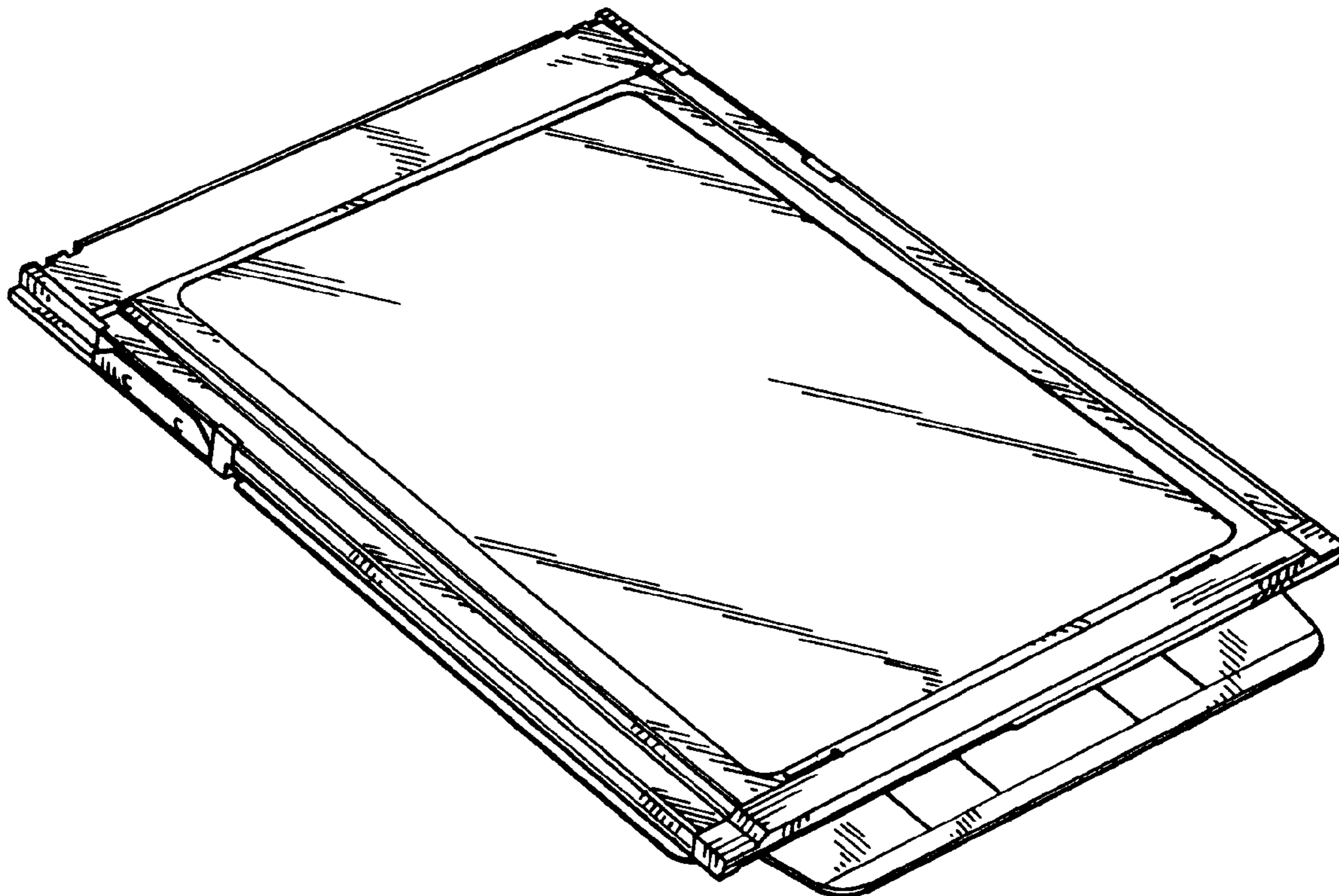


FIG. 2



FIG. 5



FIG. 1

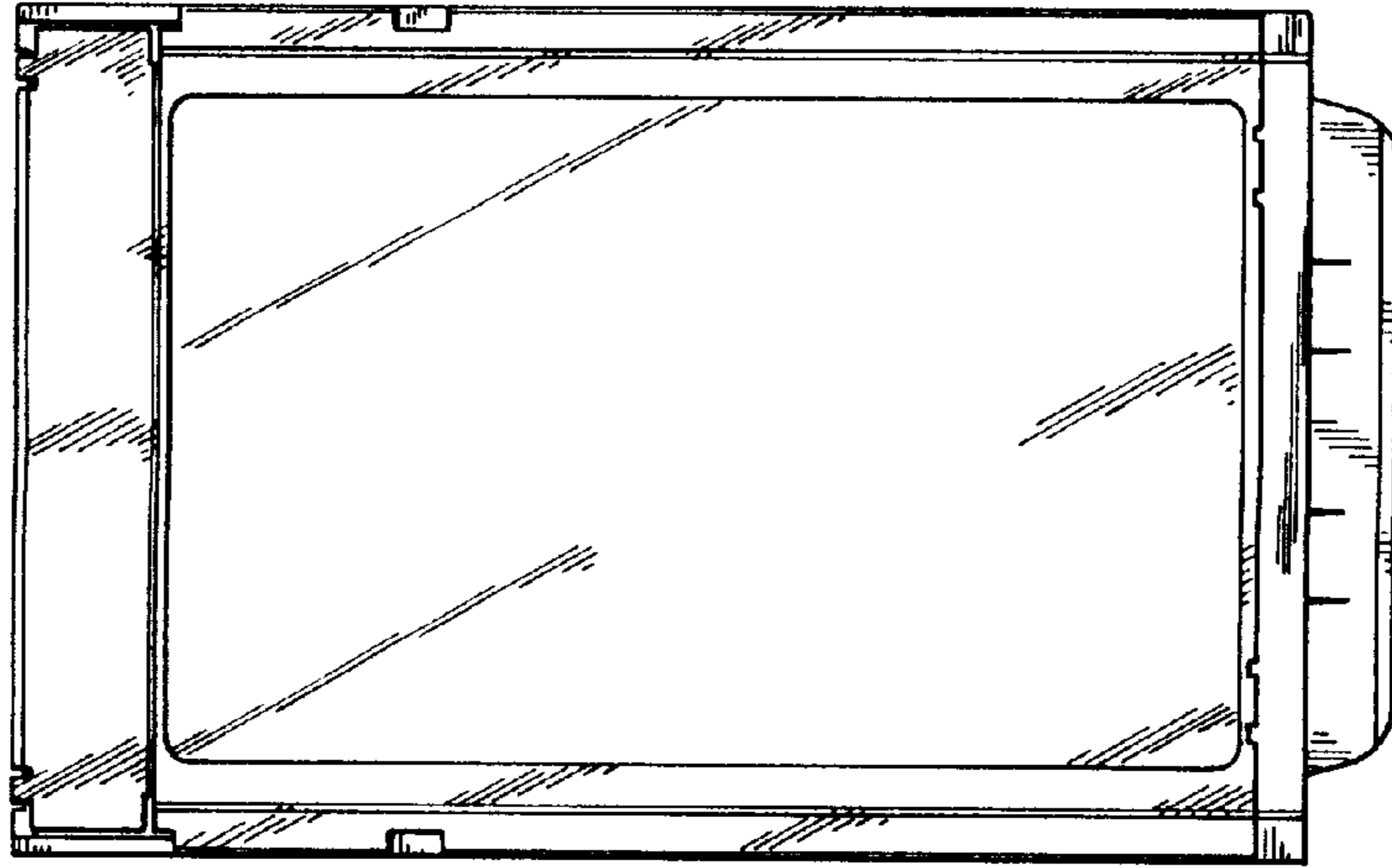


FIG. 6

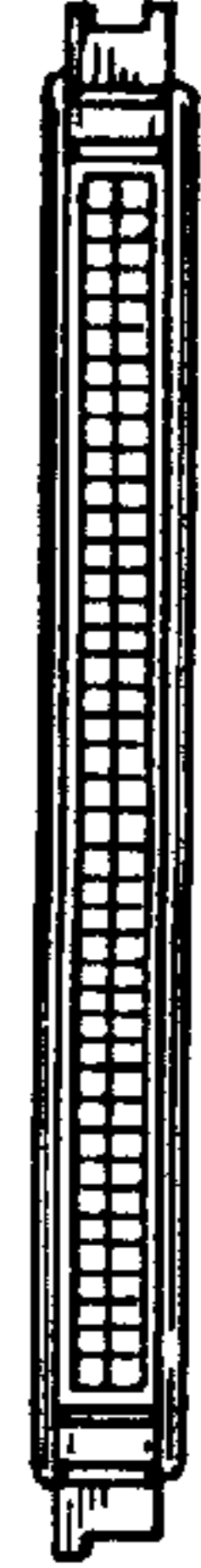


FIG. 3



FIG. 4

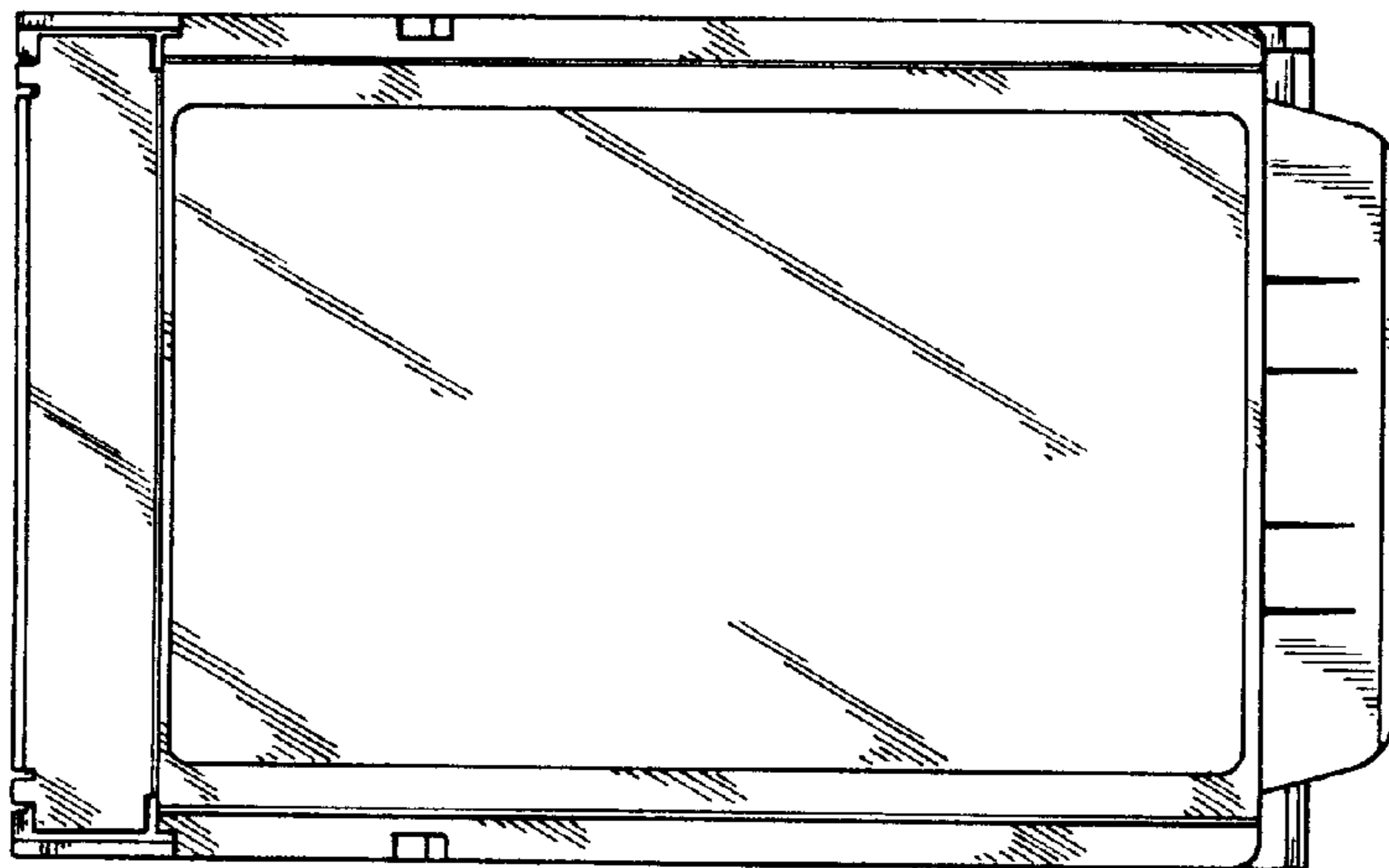


FIG. 7

