



US00D423469S

United States Patent [19]

Takizawa et al.

[11] **Patent Number: Des. 423,469**

[45] **Date of Patent: ** Apr. 25, 2000**

[54] **COMPUTER**

D. 384,649 10/1997 Heberling et al. D14/102

[75] Inventors: **Kazuhito Takizawa**, Gunma; **Kouzou Maemura**, Tokyo, both of Japan

Primary Examiner—Freda Nunn
Attorney, Agent, or Firm—Sughrue, Mion, Zinn, Macpeak & Seas, PLLC

[73] Assignee: **NEC Corporation**, Tokyo, Japan

[**] Term: **14 Years**

[57] CLAIM

[21] Appl. No.: **29/103,249**

The ornamental design for a computer, as shown.

[22] Filed: **Apr. 12, 1999**

DESCRIPTION

[30] Foreign Application Priority Data

Oct. 12, 1998 [JP] Japan 10-29373

FIG. 1 is a perspective view of the top, front and right side of a computer showing our new design;

[51] **LOC (6) Cl.** **14-02**

FIG. 2 is a top plan view thereof;

[52] **U.S. Cl.** **D14/100**

FIG. 3 is a bottom plan view thereof;

[58] **Field of Search** D14/100, 102,
D14/107-109; D13/162, 184, 199; D6/432,
436, 445, 448; 312/208.1; 360/99.12; 361/694,
696, 683, 685

FIG. 4 is a front elevational view thereof;

FIG. 5 is a rear elevational view thereof;

FIG. 6 is a right side elevational view thereof; and,

FIG. 7 is a left side elevational view thereof.

[56] References Cited

U.S. PATENT DOCUMENTS

D. 322,778 12/1991 Kline et al. D14/100

1 Claim, 4 Drawing Sheets

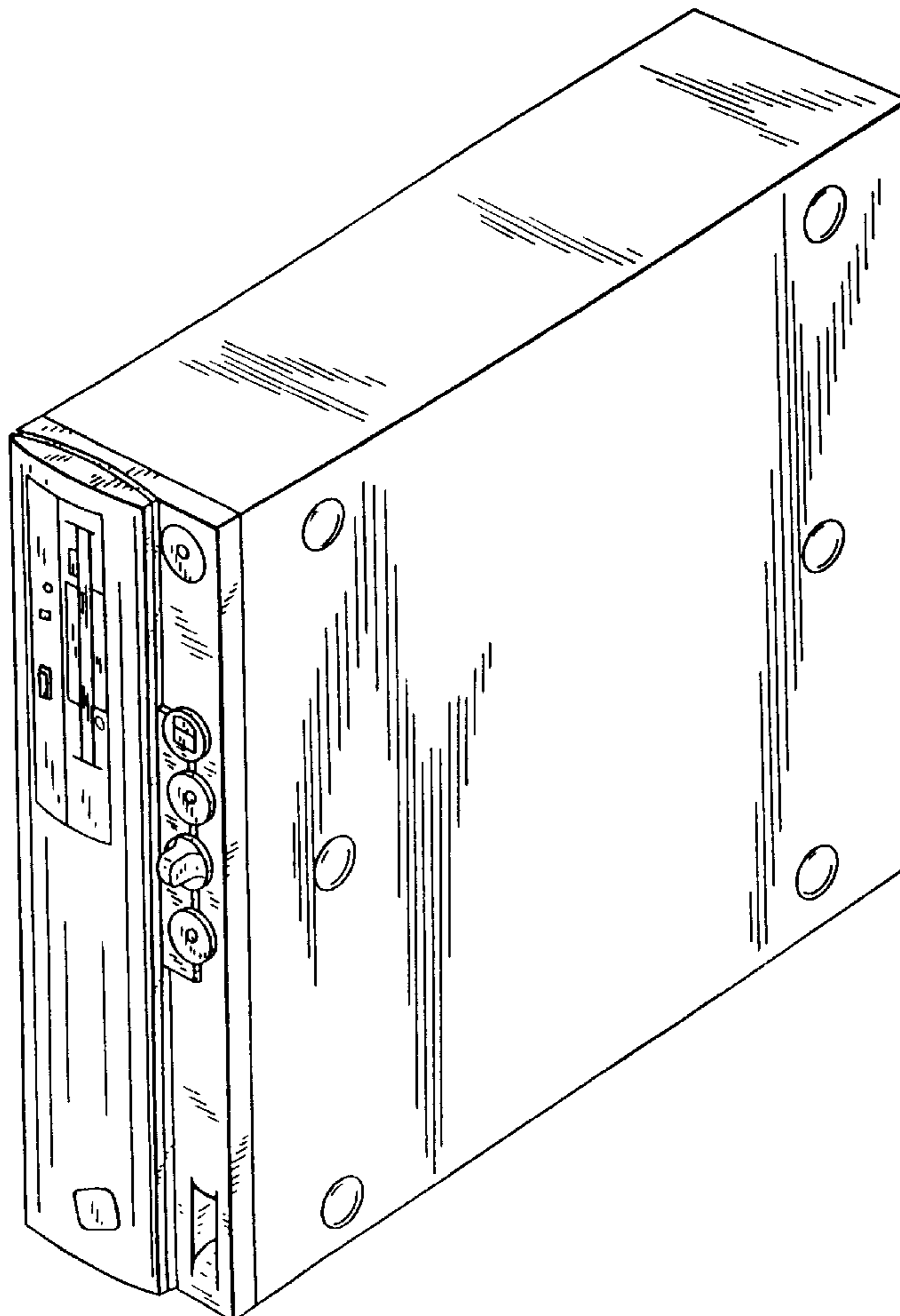


FIG. 1

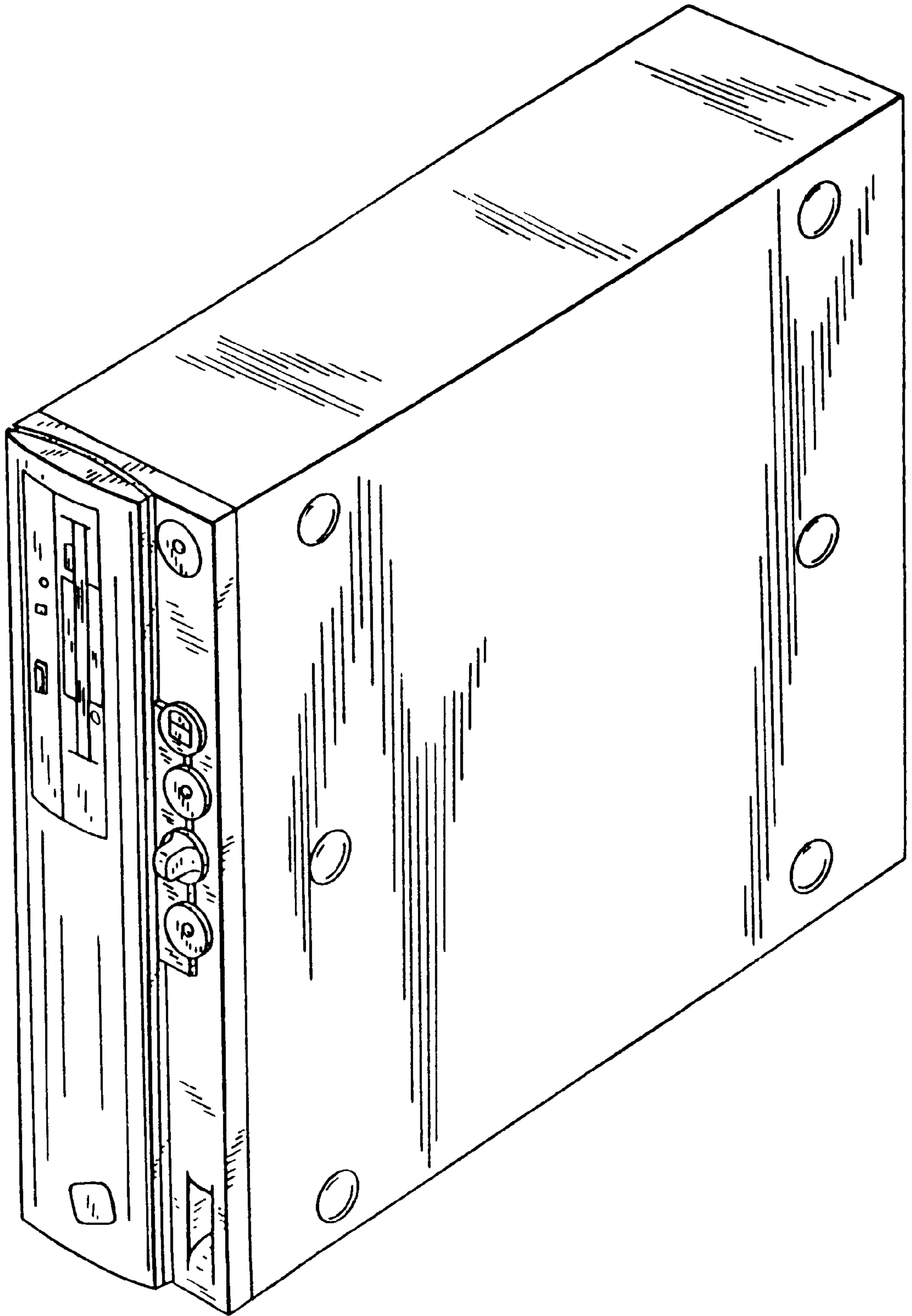


FIG. 2

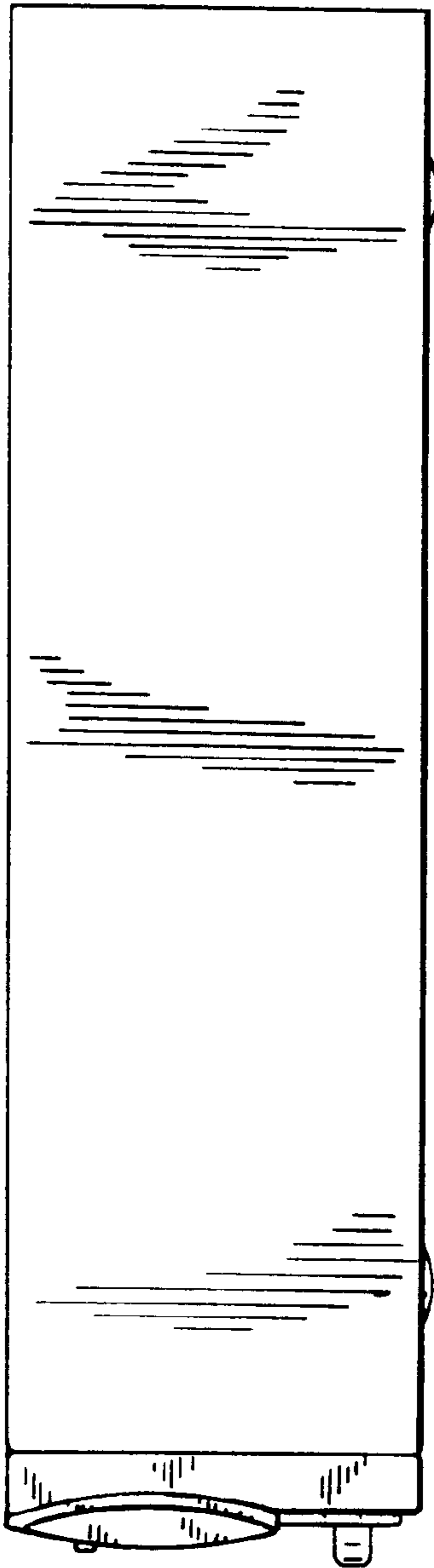


FIG. 3

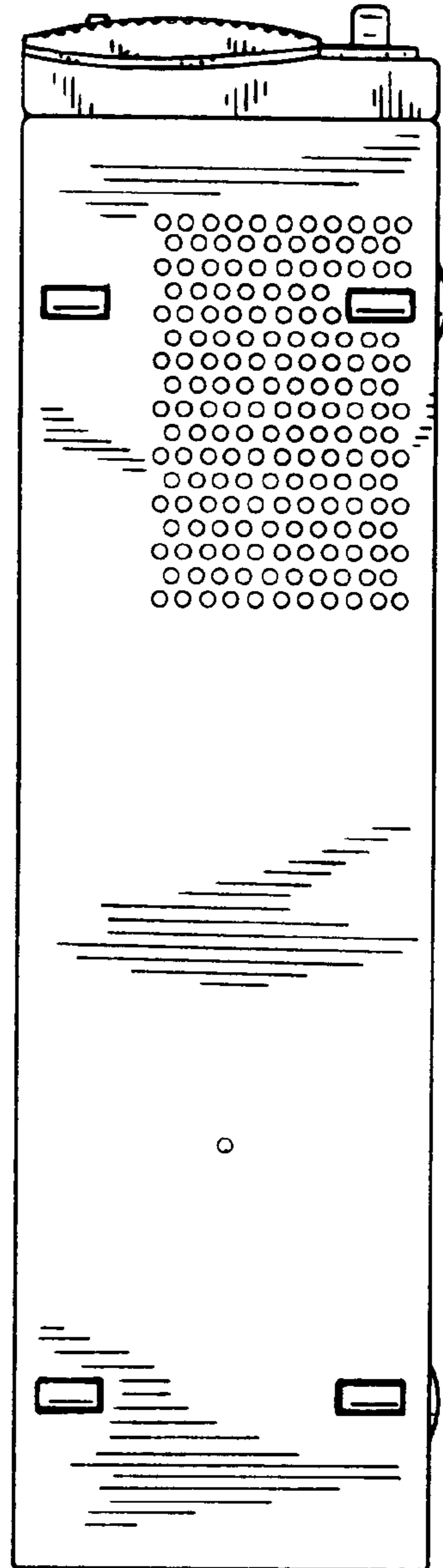


FIG. 4

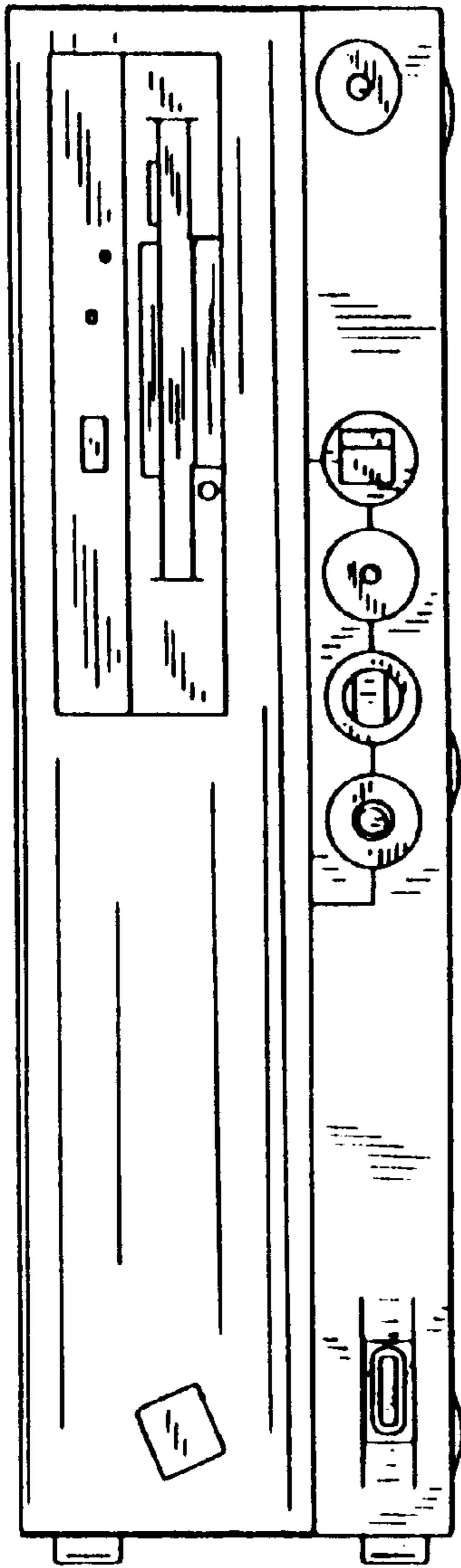


FIG. 5

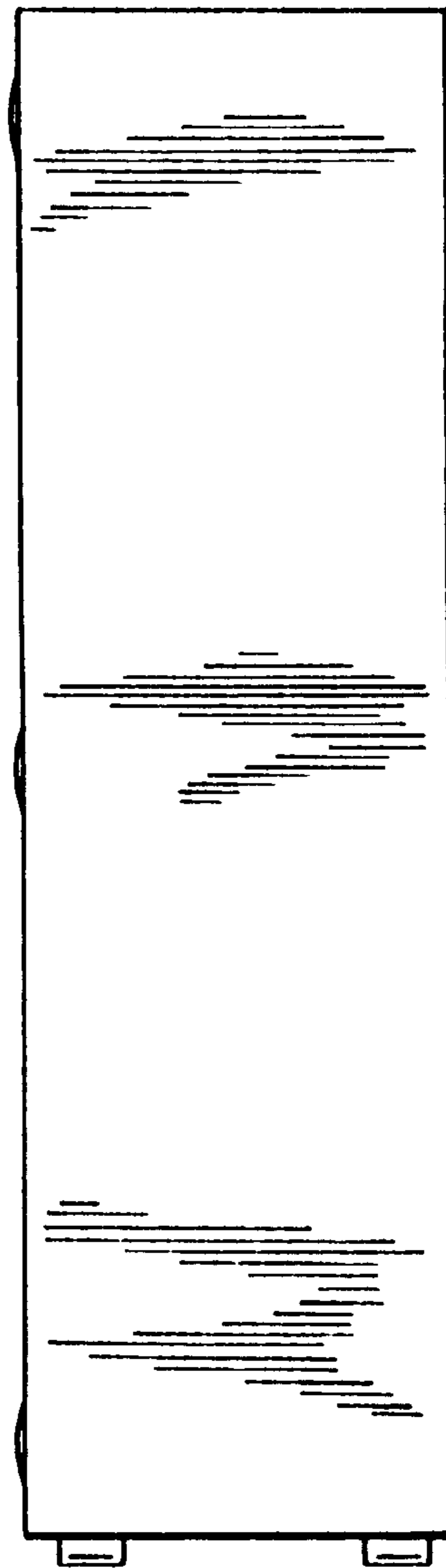


FIG. 6

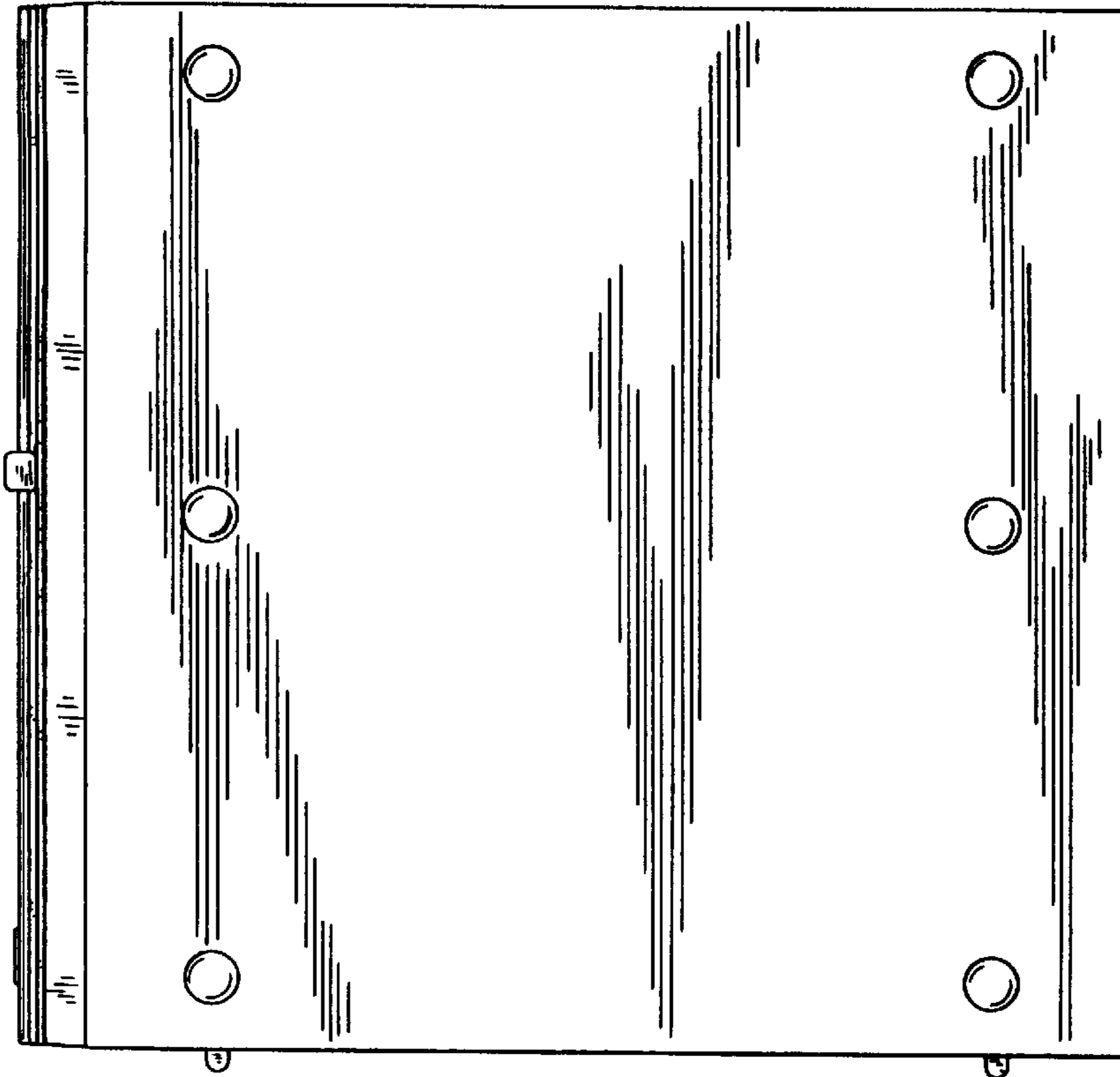


FIG. 7

