



US00D423467S

United States Patent [19]
Ikenaga

[11] **Patent Number: Des. 423,467**
[45] **Date of Patent: ** Apr. 25, 2000**

[54] **COMPUTER**

[75] Inventor: **Takashi Ikenaga**, Tokyo, Japan
[73] Assignee: **Sony Corporation**, Tokyo, Japan
[**] Term: **14 Years**

[21] Appl. No.: **29/094,216**
[22] Filed: **Sep. 28, 1998**

[30] **Foreign Application Priority Data**

Apr. 2, 1998 [JP] Japan 10-9186

[51] **LOC (6) Cl.** **14-02**

[52] **U.S. Cl.** **D14/100; D14/109**

[58] **Field of Search** D14/100, 102,
D14/107-109; D13/162, 184, 199; D6/432,
436, 445, 448; 312/223.1, 223.2; 360/99.12;
361/690-696; 369/34, 36; D21/48

[56] **References Cited**

U.S. PATENT DOCUMENTS

D. 354,523 1/1995 Hiraoka et al. D14/109 X
D. 366,250 1/1996 Connors et al. D14/109 X

Primary Examiner—Freda Nunn
Attorney, Agent, or Firm—Foley & Lardner

[57] **CLAIM**

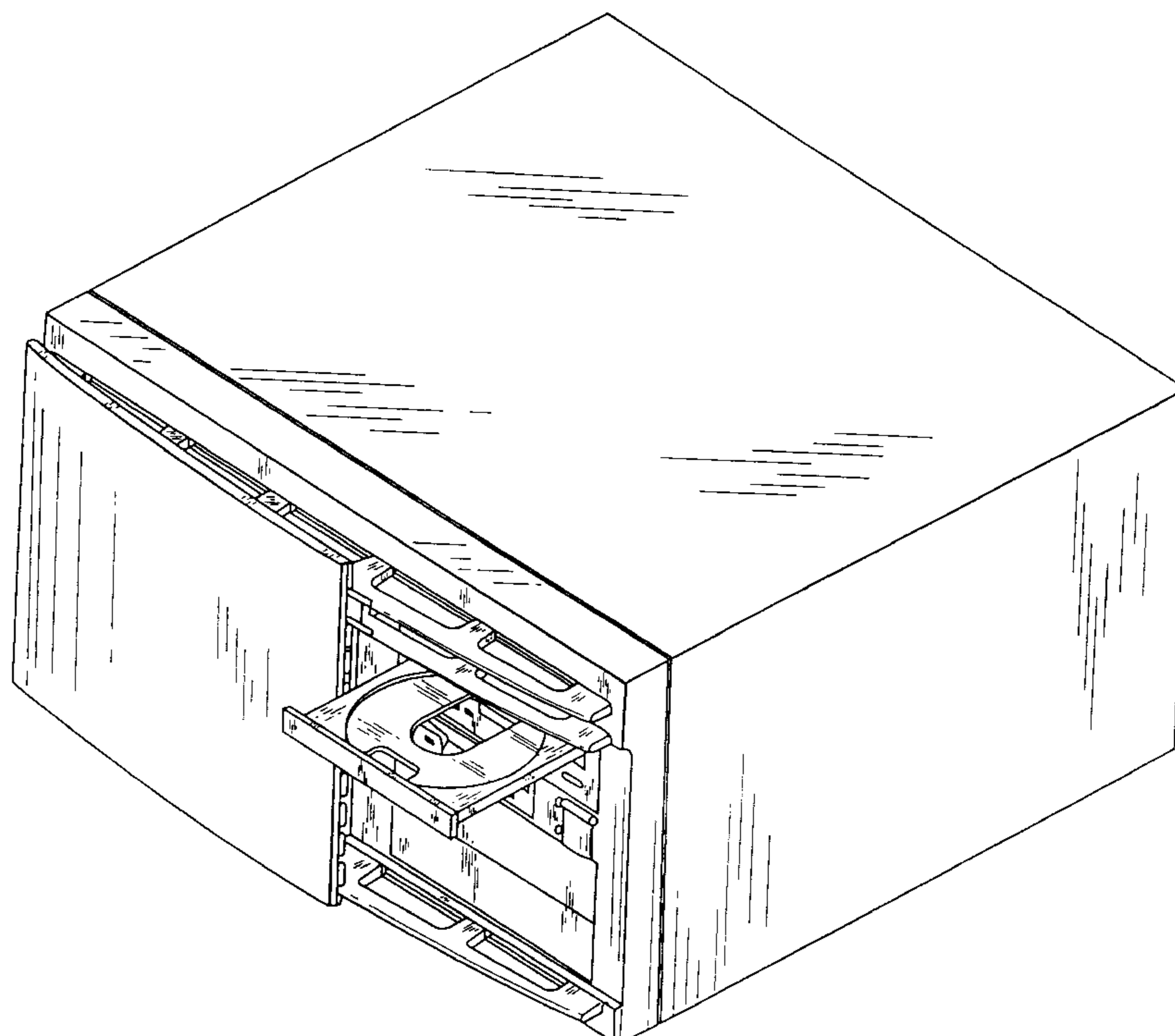
The ornamental design for a computer, as shown and described.

DESCRIPTION

FIG. 1 is a perspective view of a first embodiment of a computer showing my new design;

FIG. 2 is a top plan view thereof;
FIG. 3 is a left side elevational view thereof;
FIG. 4 is a front elevational view thereof;
FIG. 5 is a bottom plan view thereof;
FIG. 6 is a right side elevational view thereof; and
FIG. 7 is a perspective view thereof wherein the lid portion is in the open position;
FIG. 8 is a perspective view thereof, wherein the lid and disc tray portions are in the open position.
FIG. 9 is a second embodiment thereof;
FIG. 10 is a top plan view thereof;
FIG. 11 is a left side elevational view thereof;
FIG. 12 is a front elevational view thereof;
FIG. 13 is a bottom plan view thereof;
FIG. 14 is a right side elevational view thereof;
FIG. 15 is a rear elevational view thereof;
FIG. 16 is a perspective view thereof; and,
FIG. 17 is a perspective view thereof, wherein the lid and disc tray portions are in the open position.
The undisclosed rear view of the first embodiment is not a part of the claimed design.

1 Claim, 14 Drawing Sheets



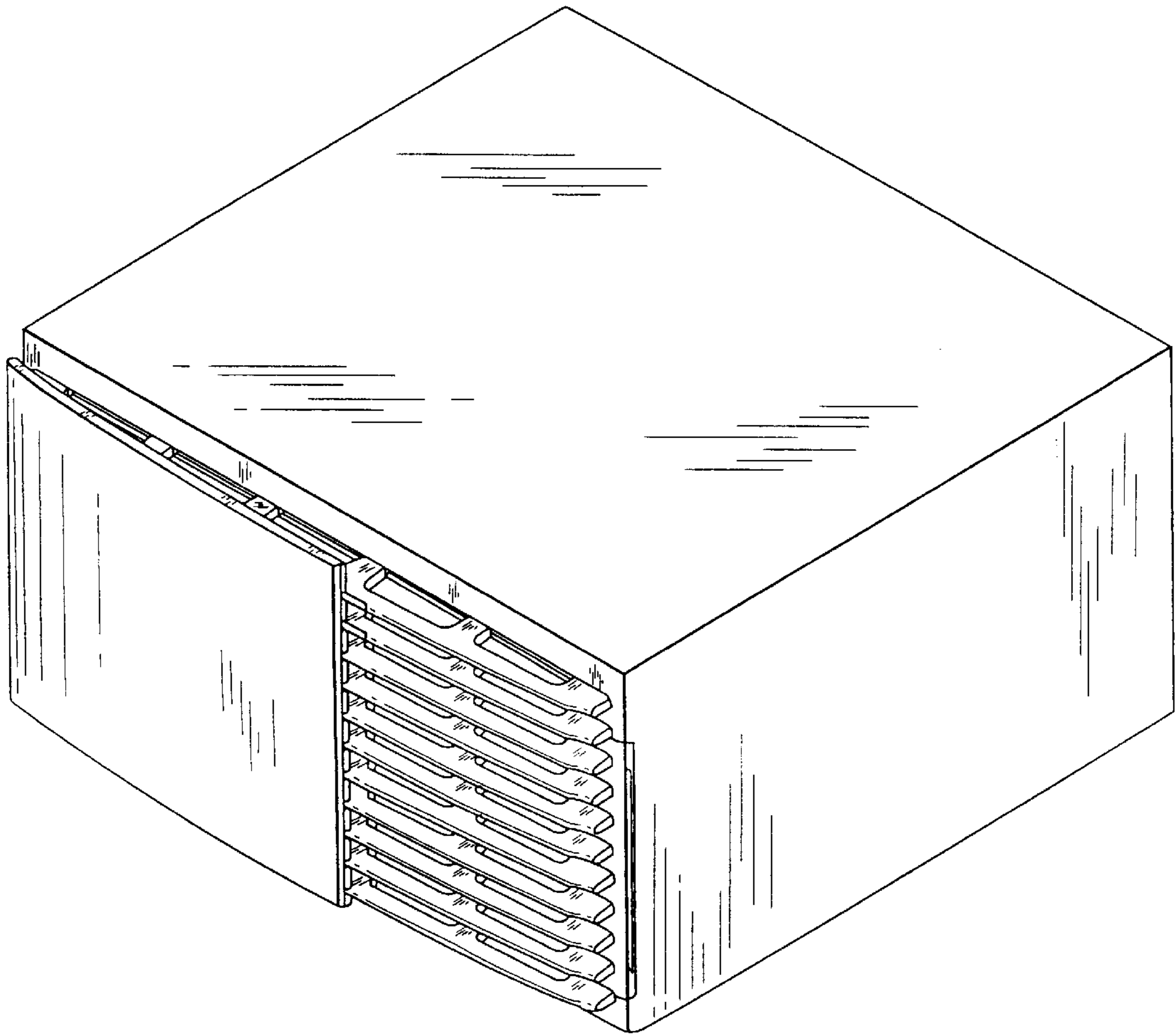


FIG. 1

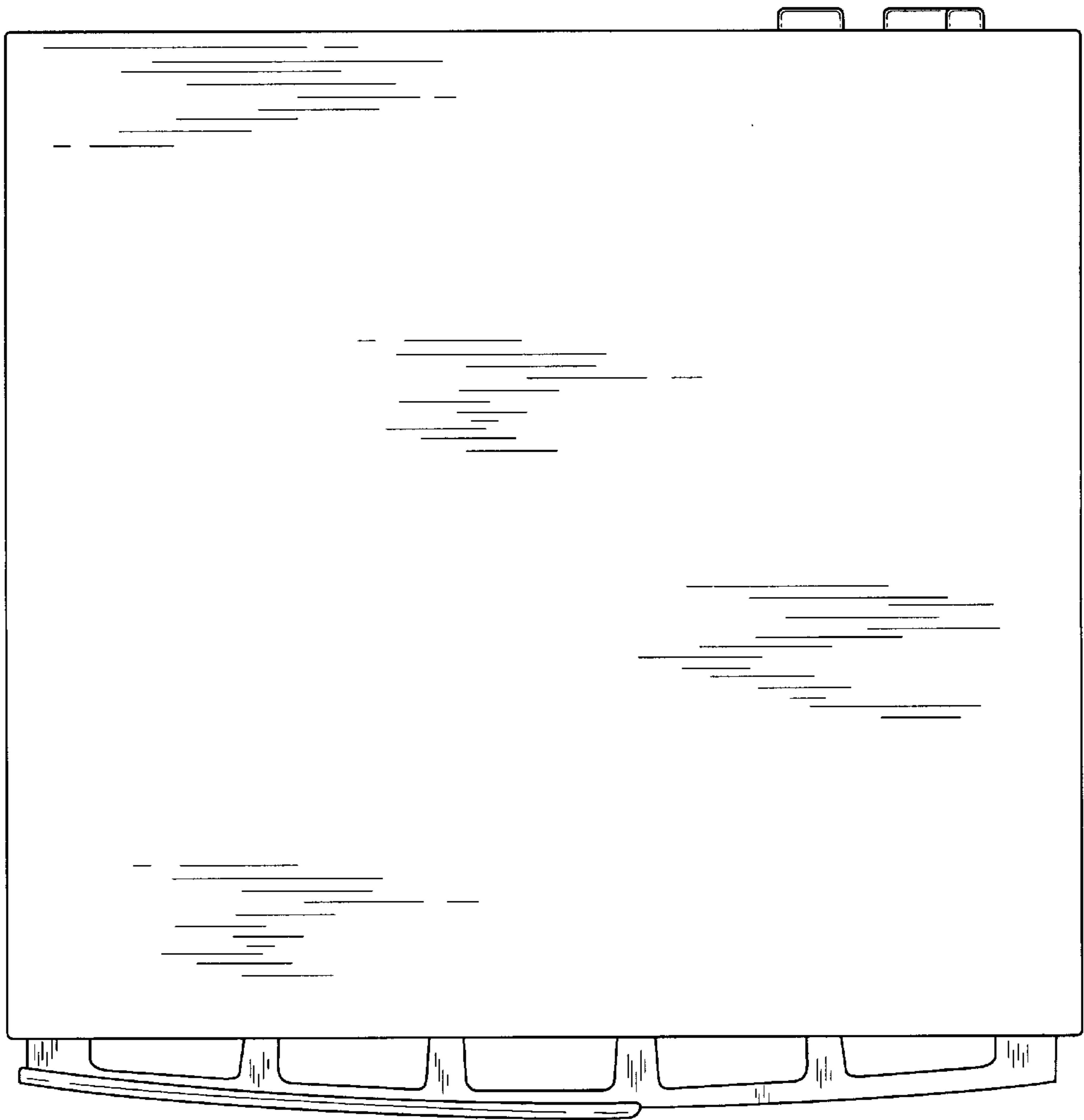


FIG. 2

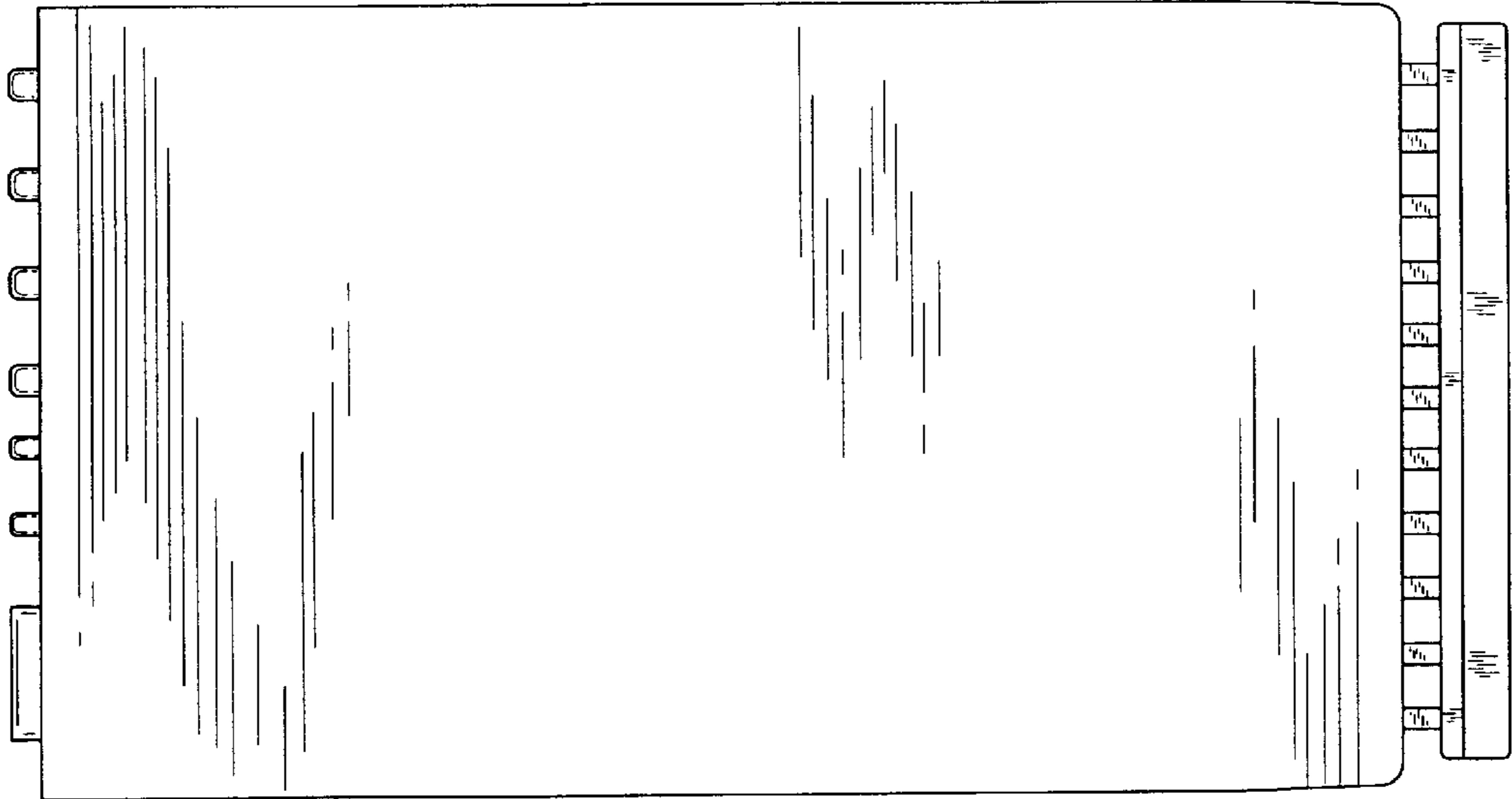


FIG. 3

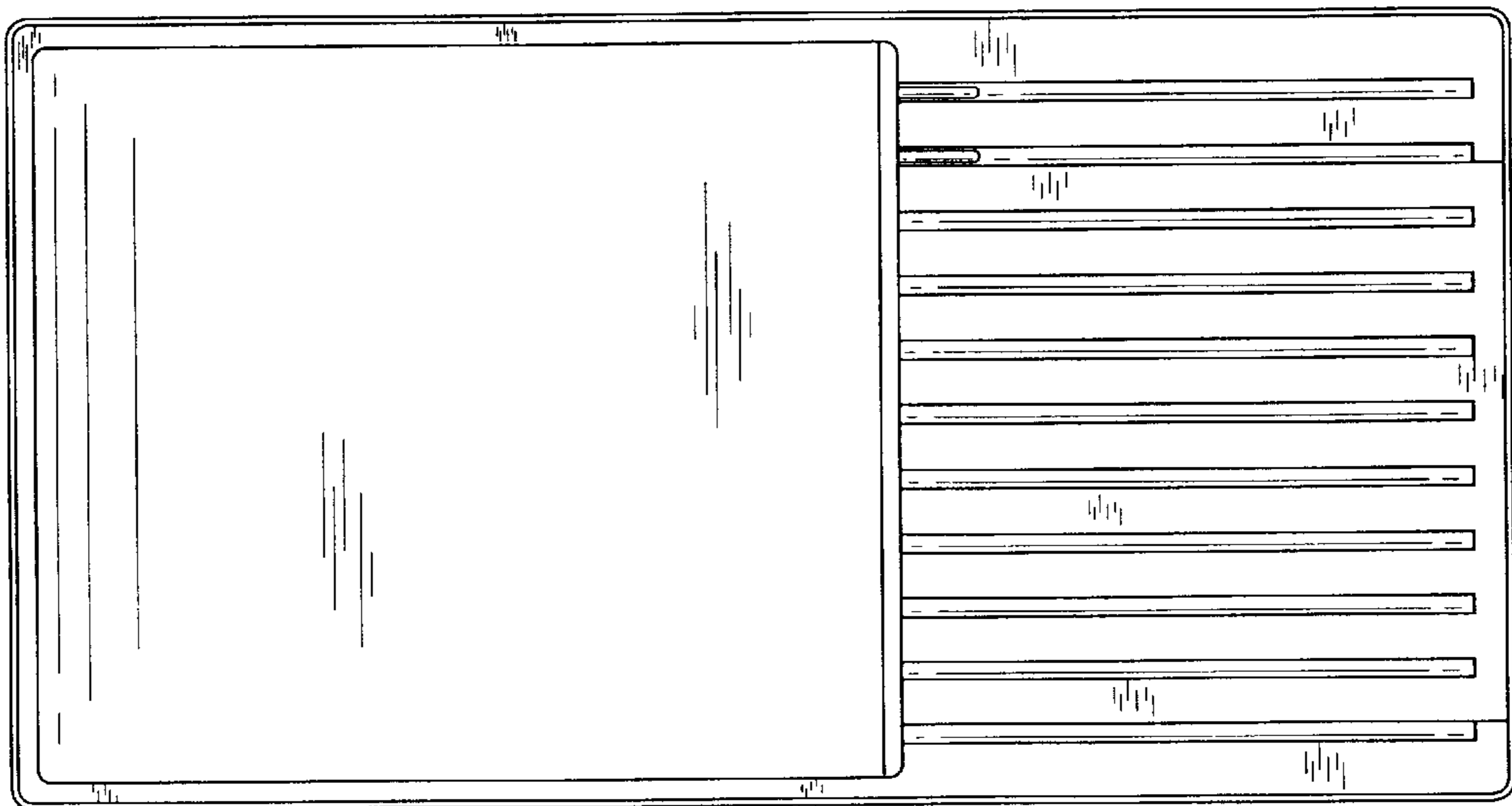


FIG. 4

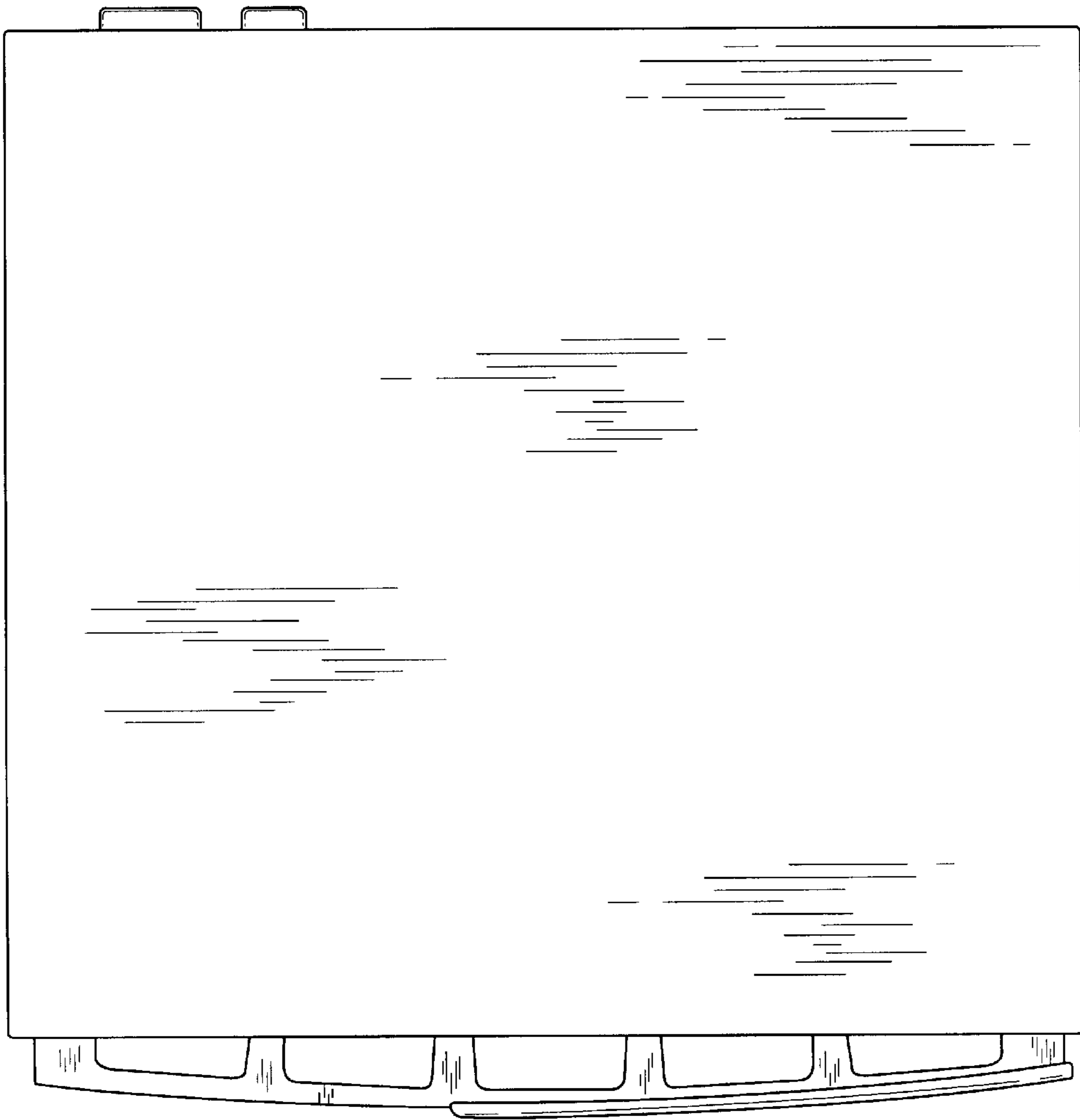


FIG. 5

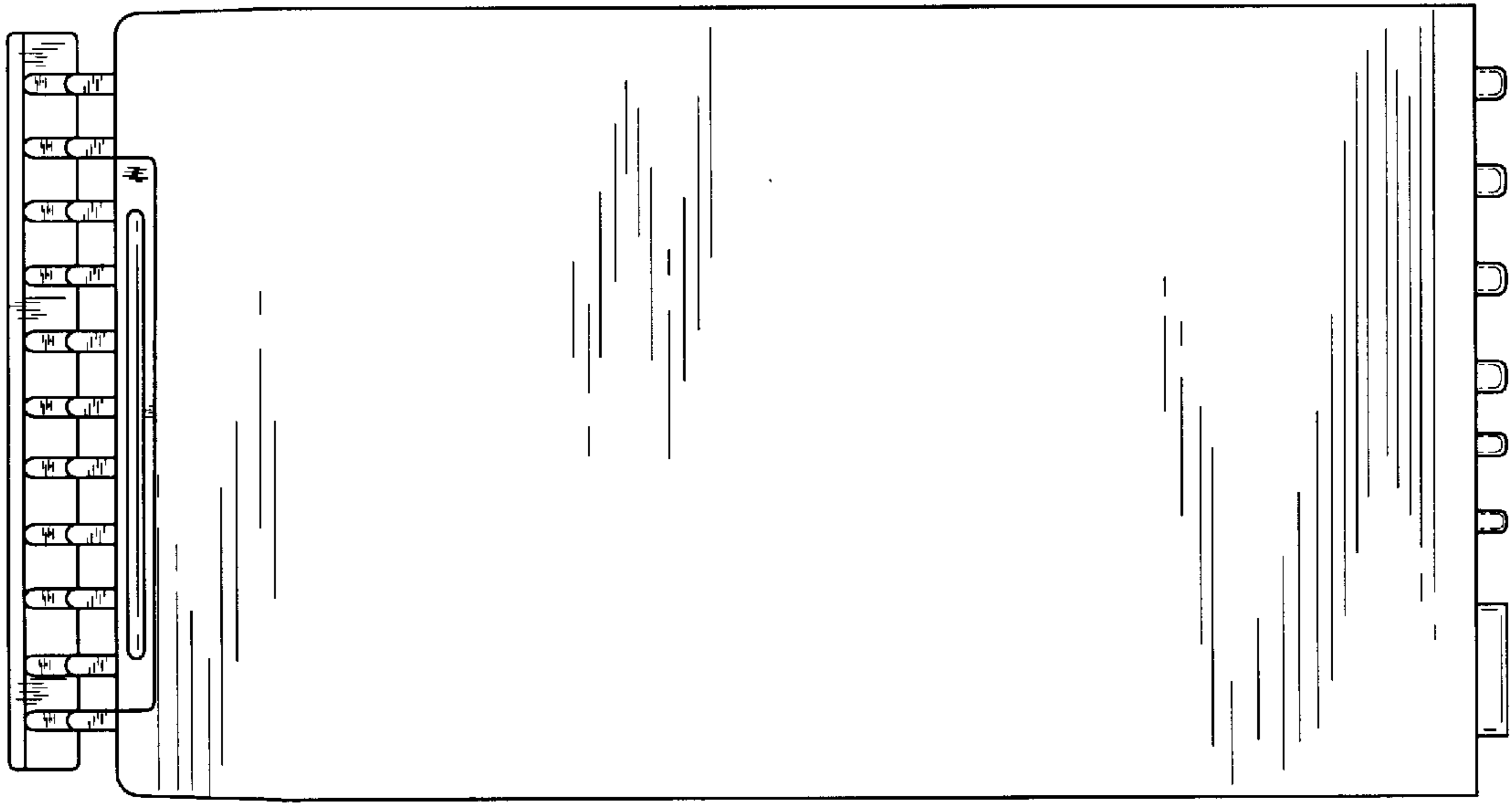


FIG. 6

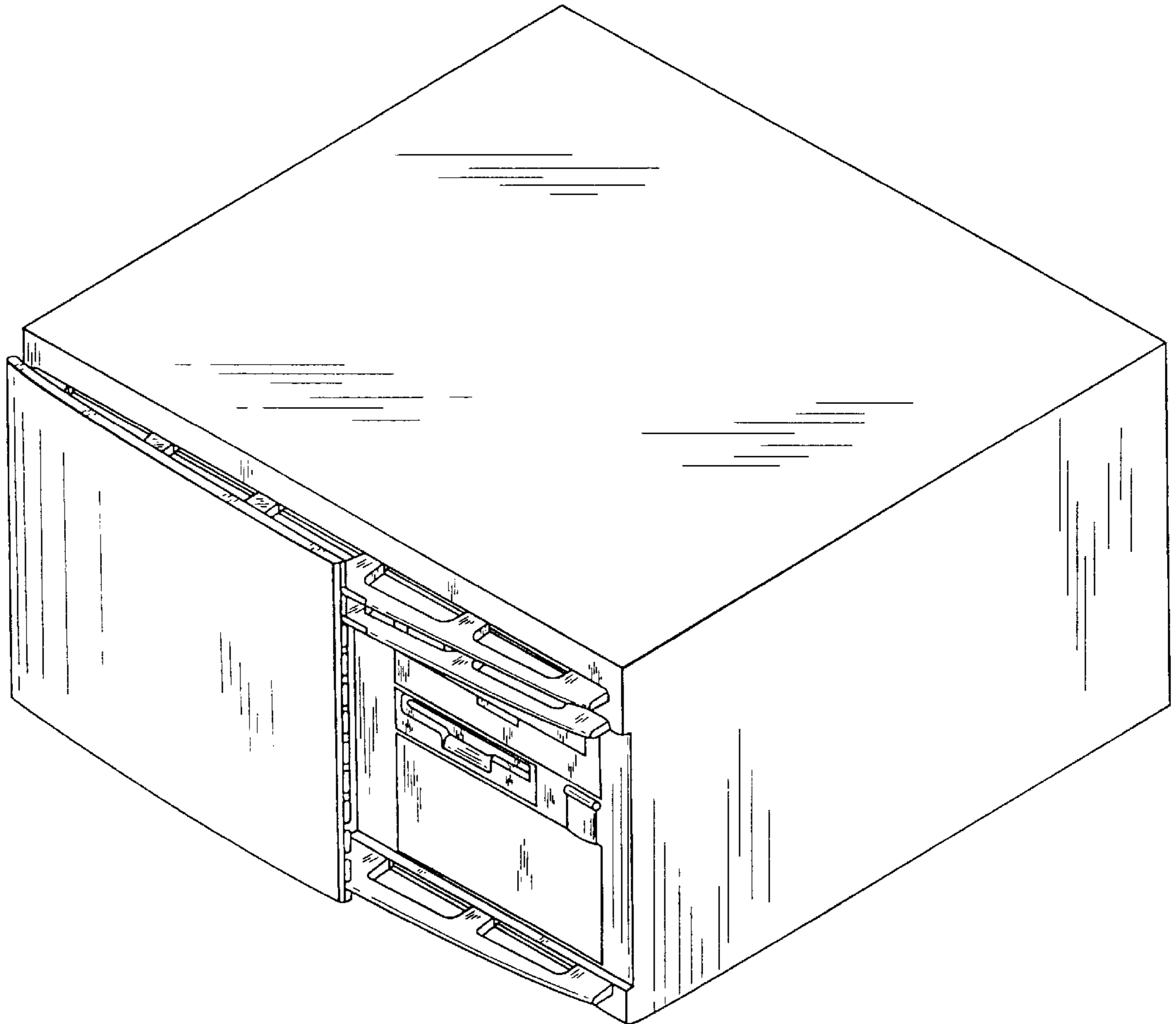


FIG. 7

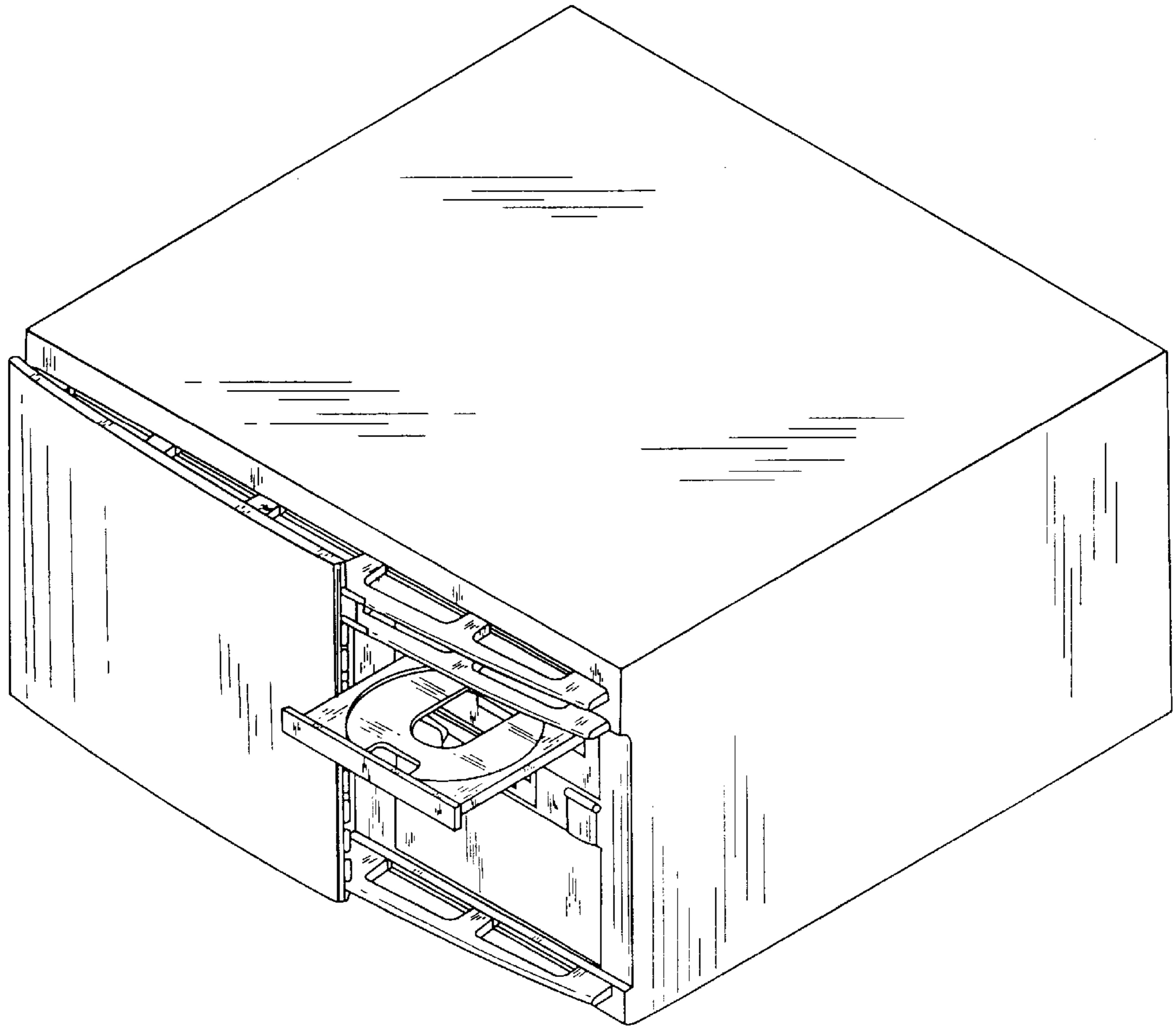


FIG. 8

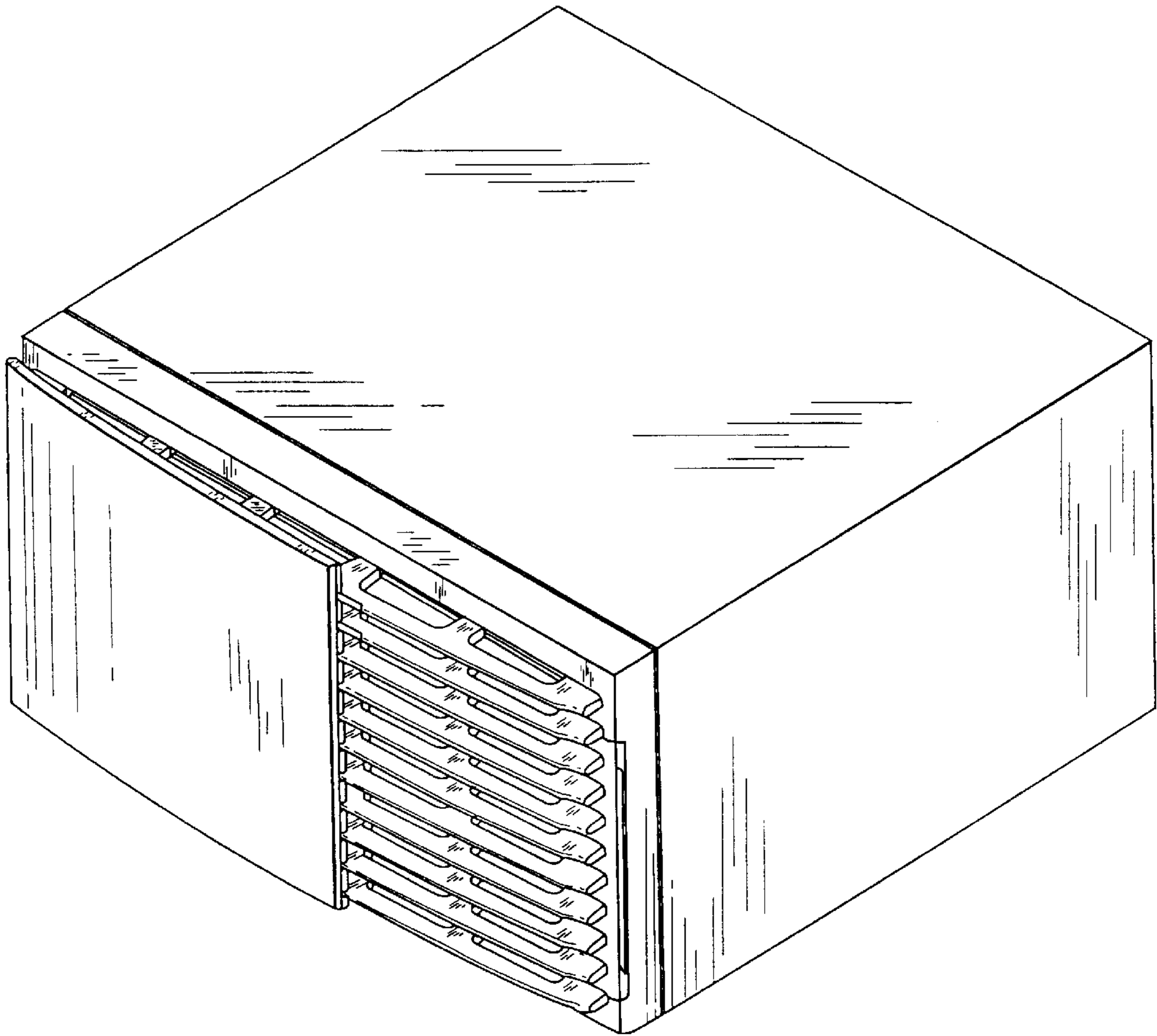


FIG. 9

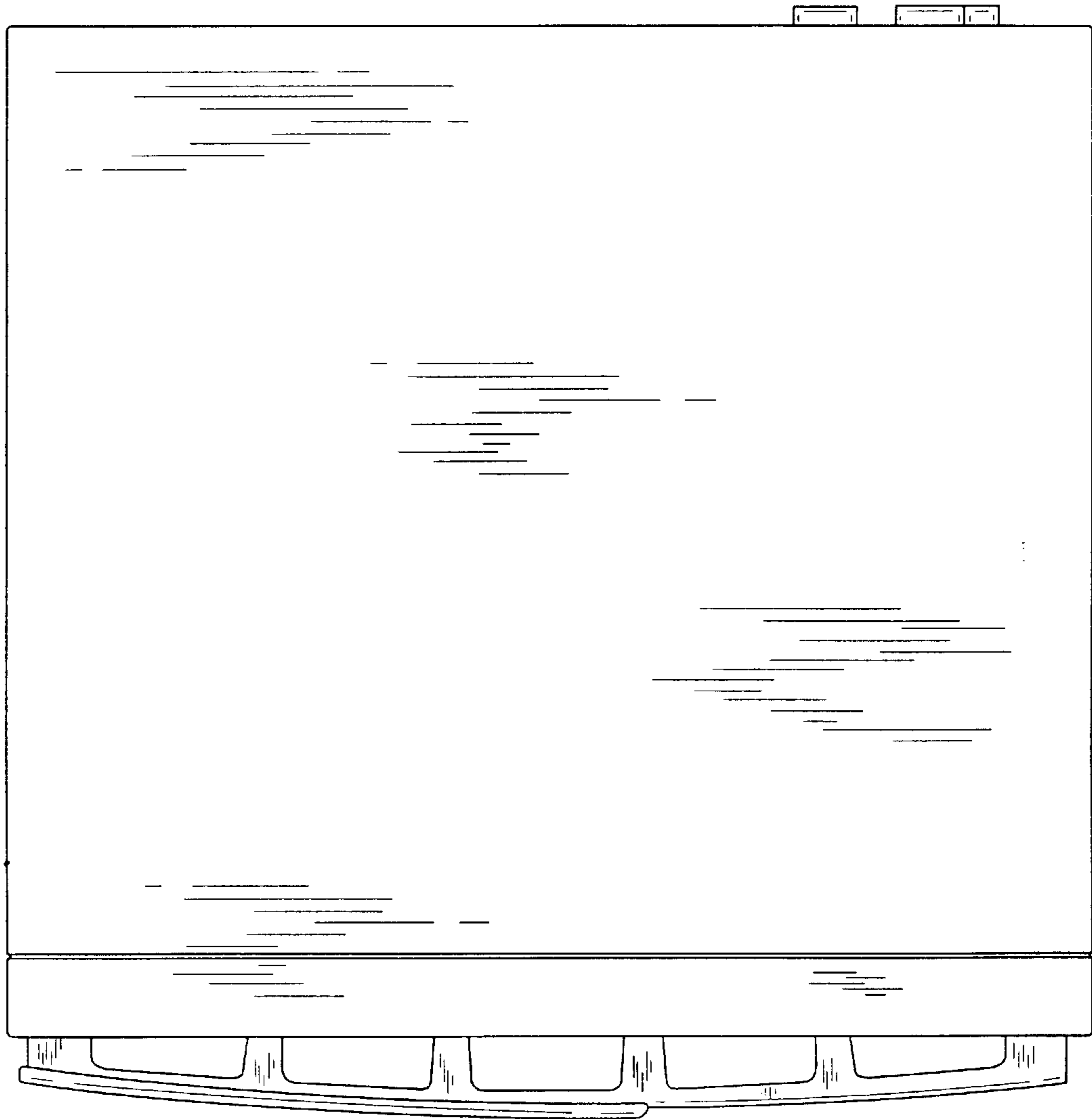


FIG. 10

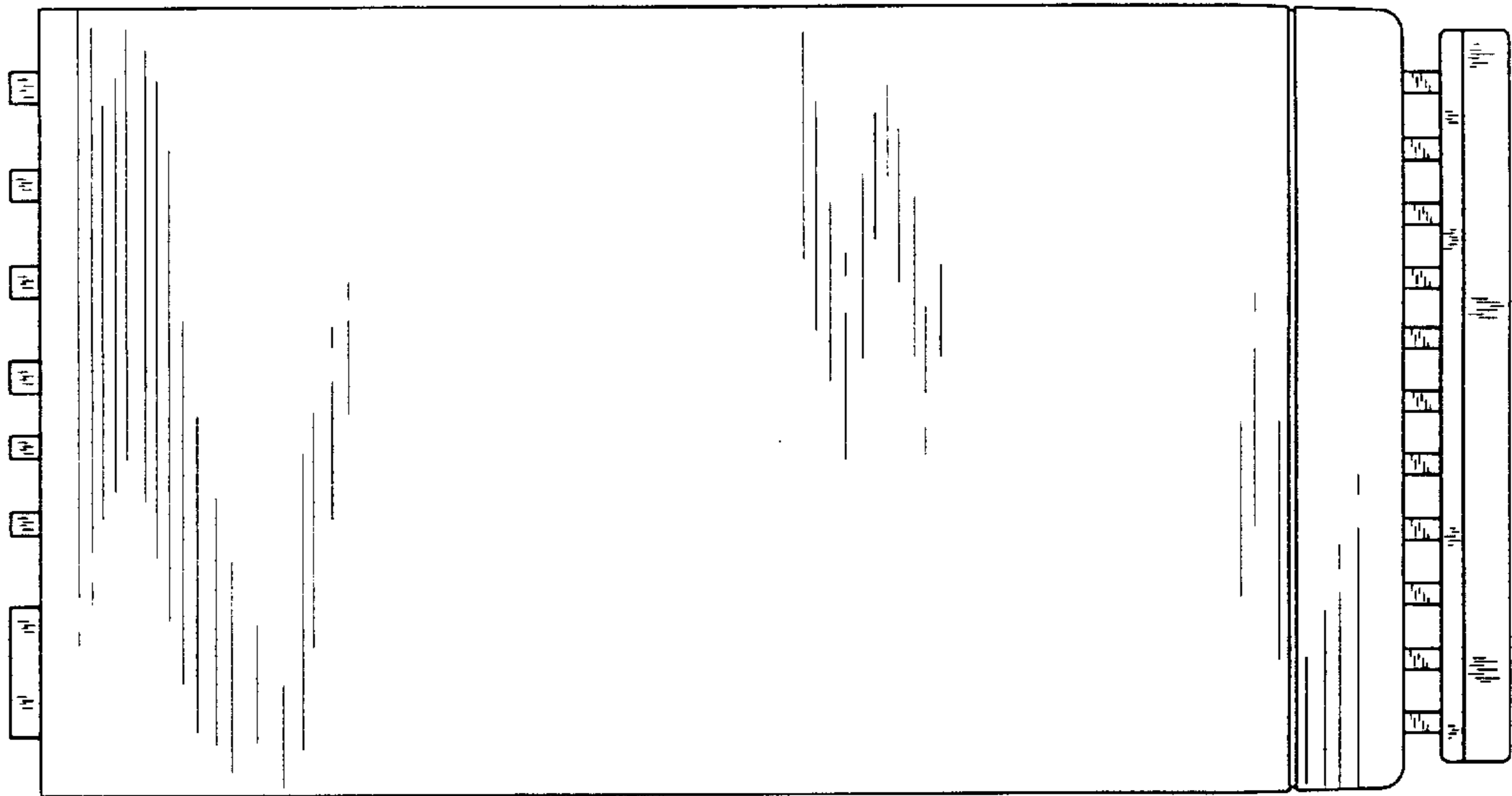


FIG. 11

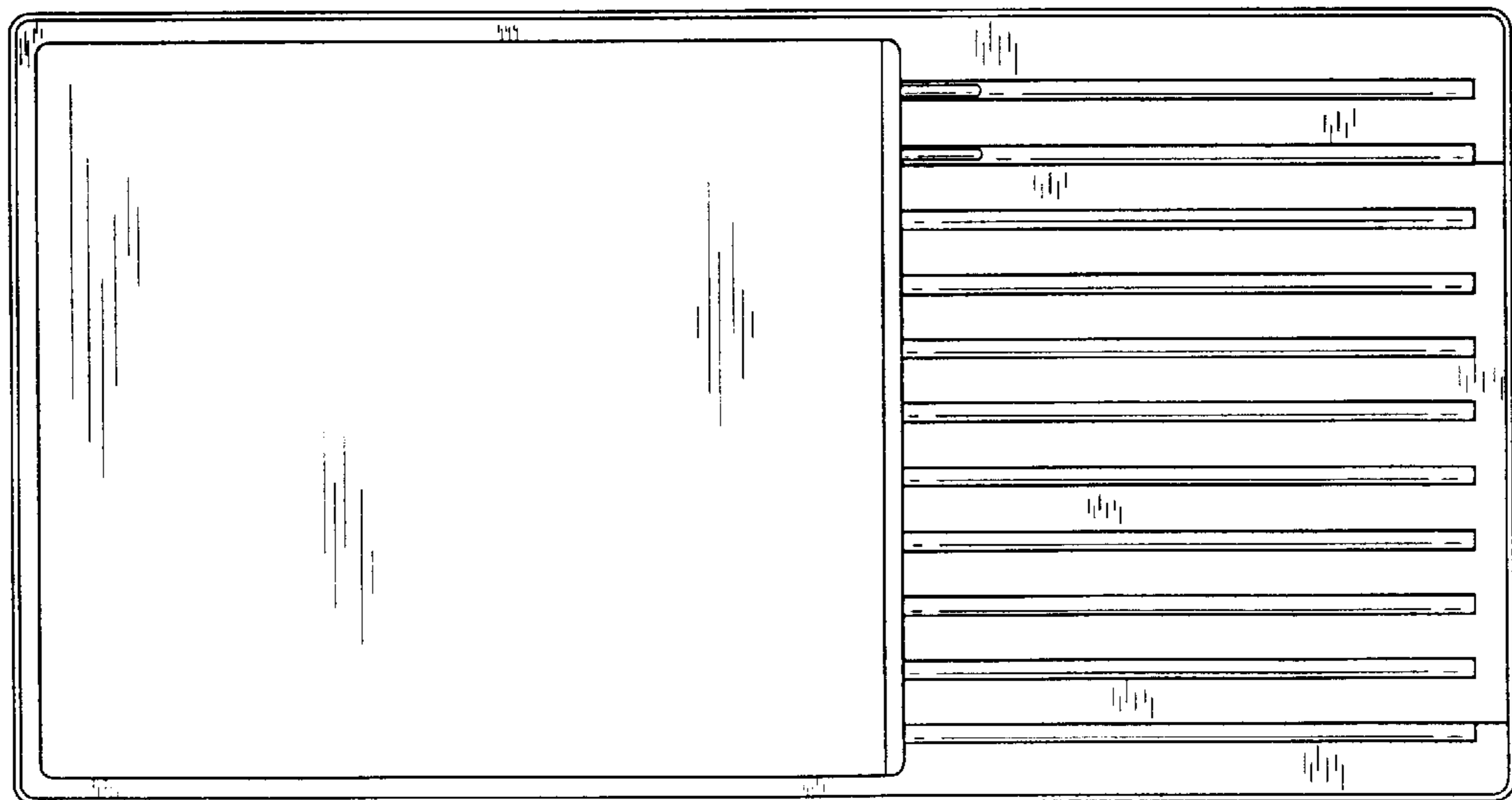


FIG. 12

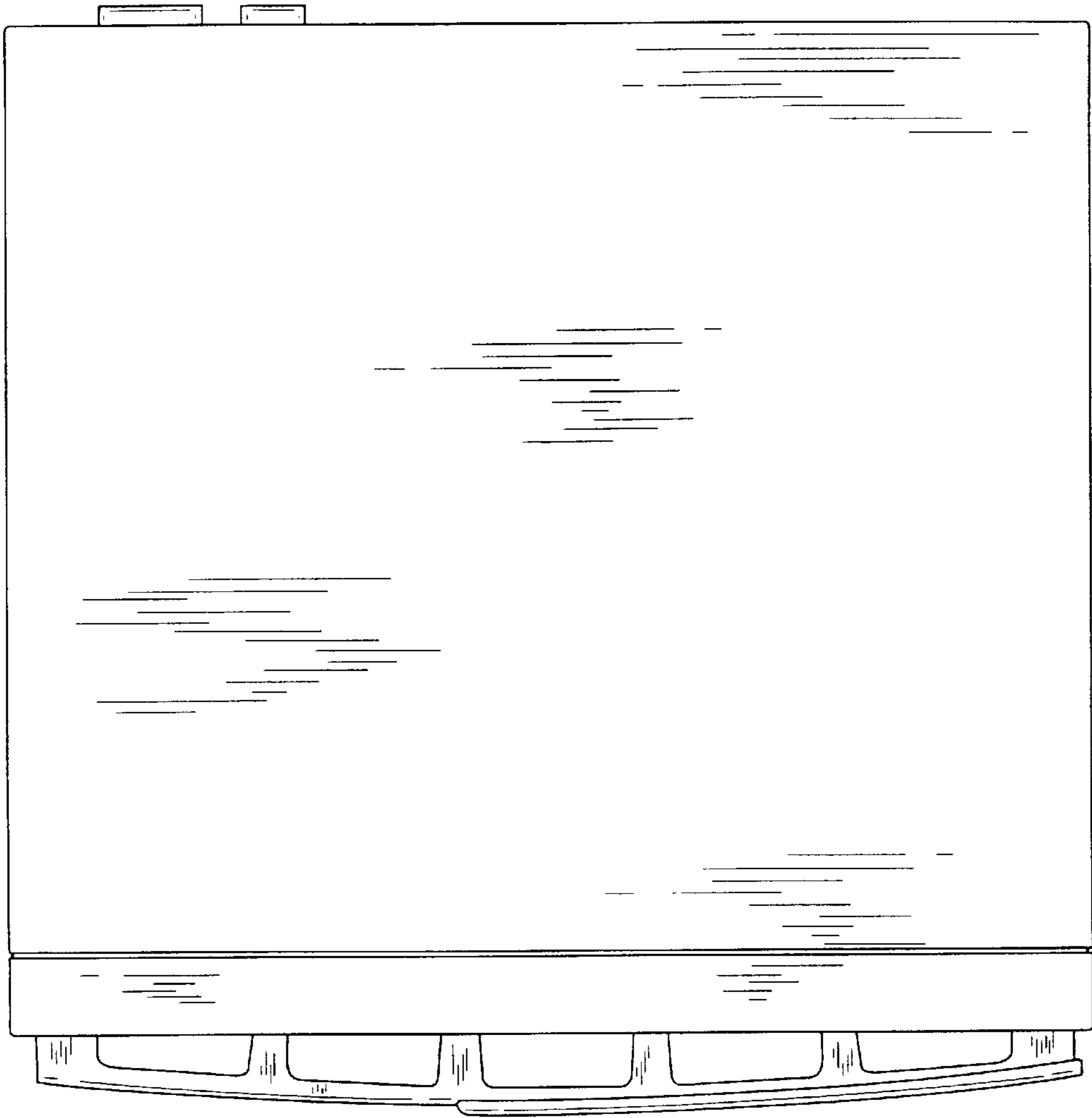


FIG. 13

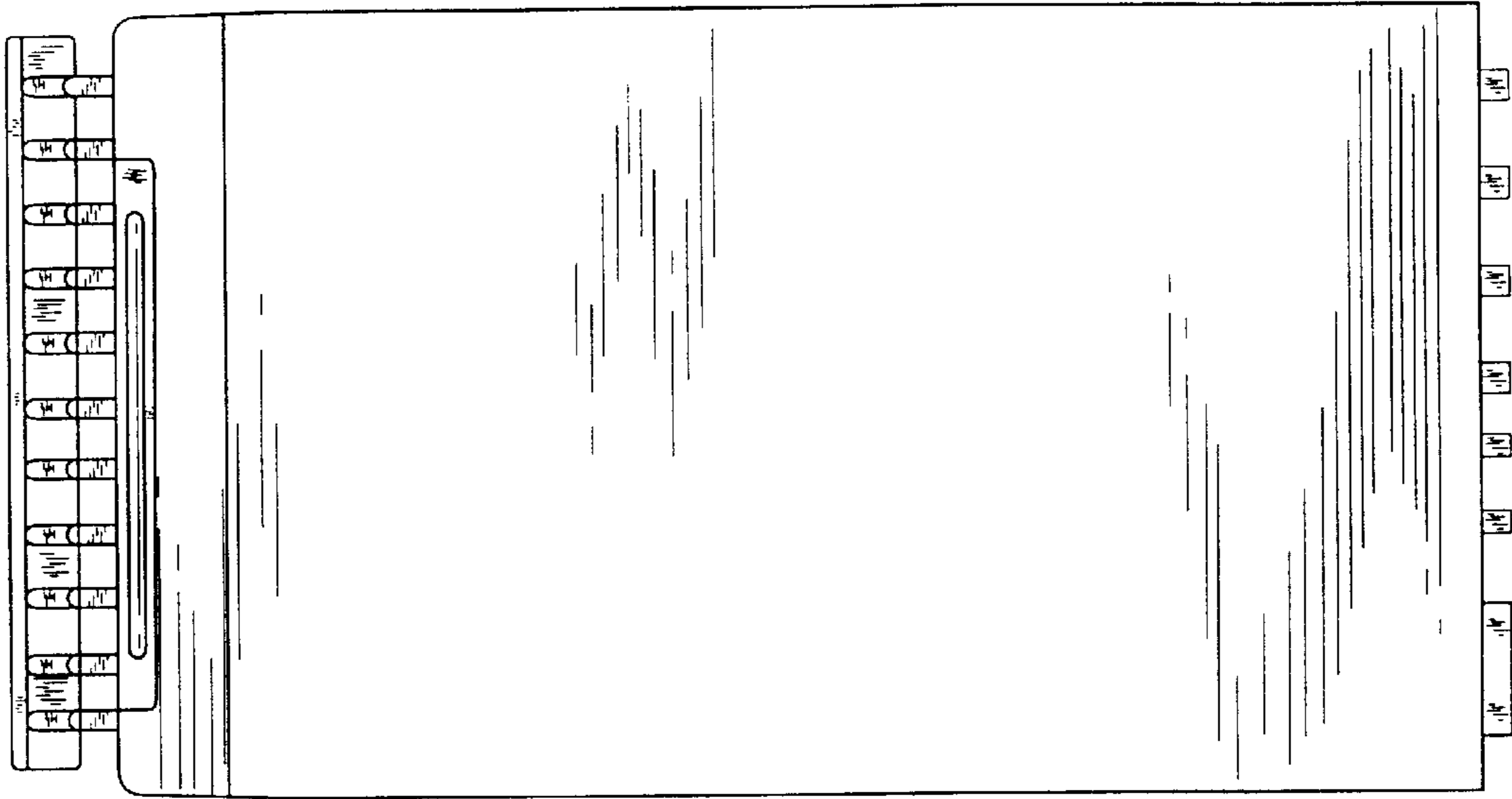


FIG. 14

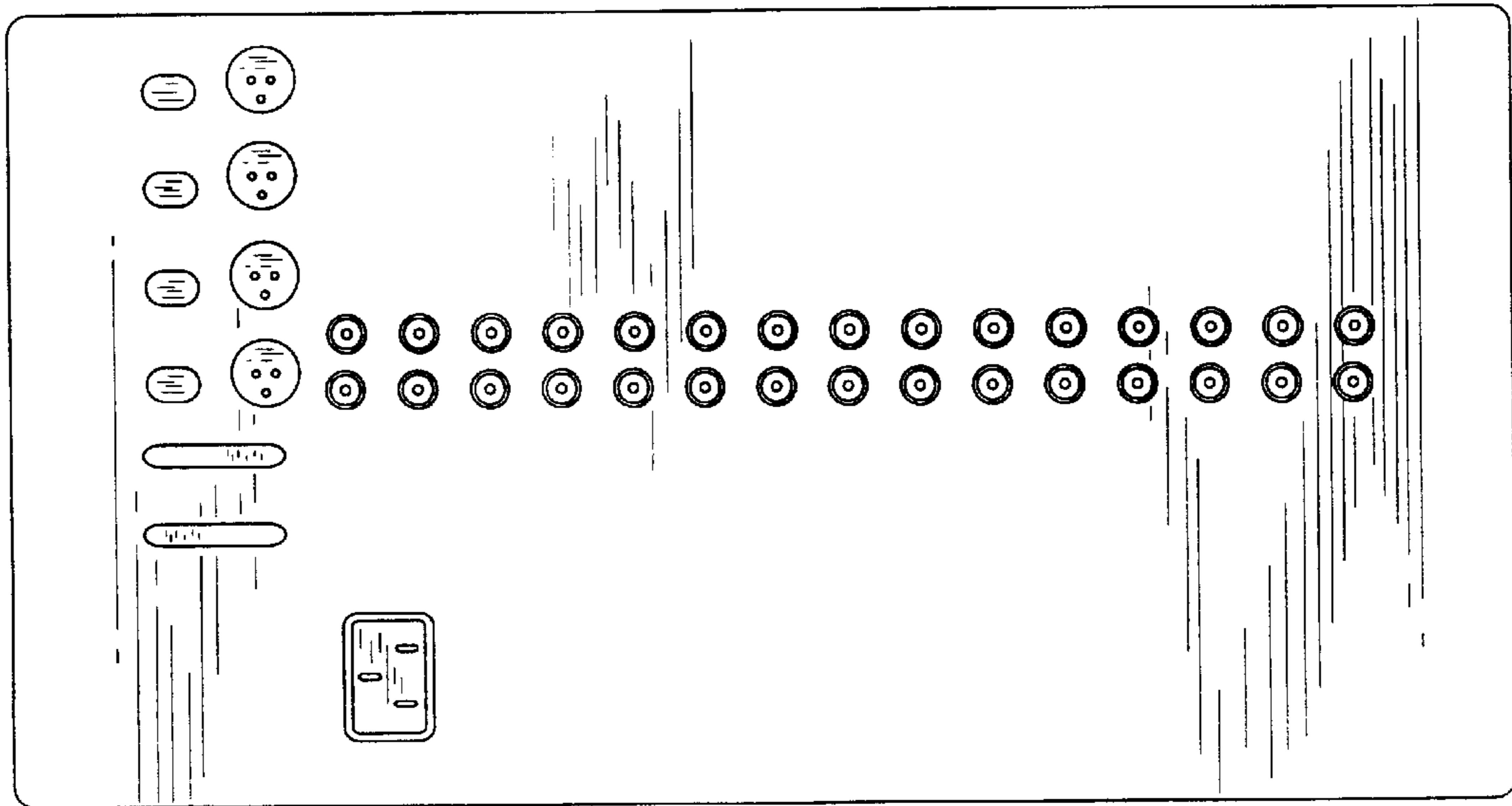


FIG. 15

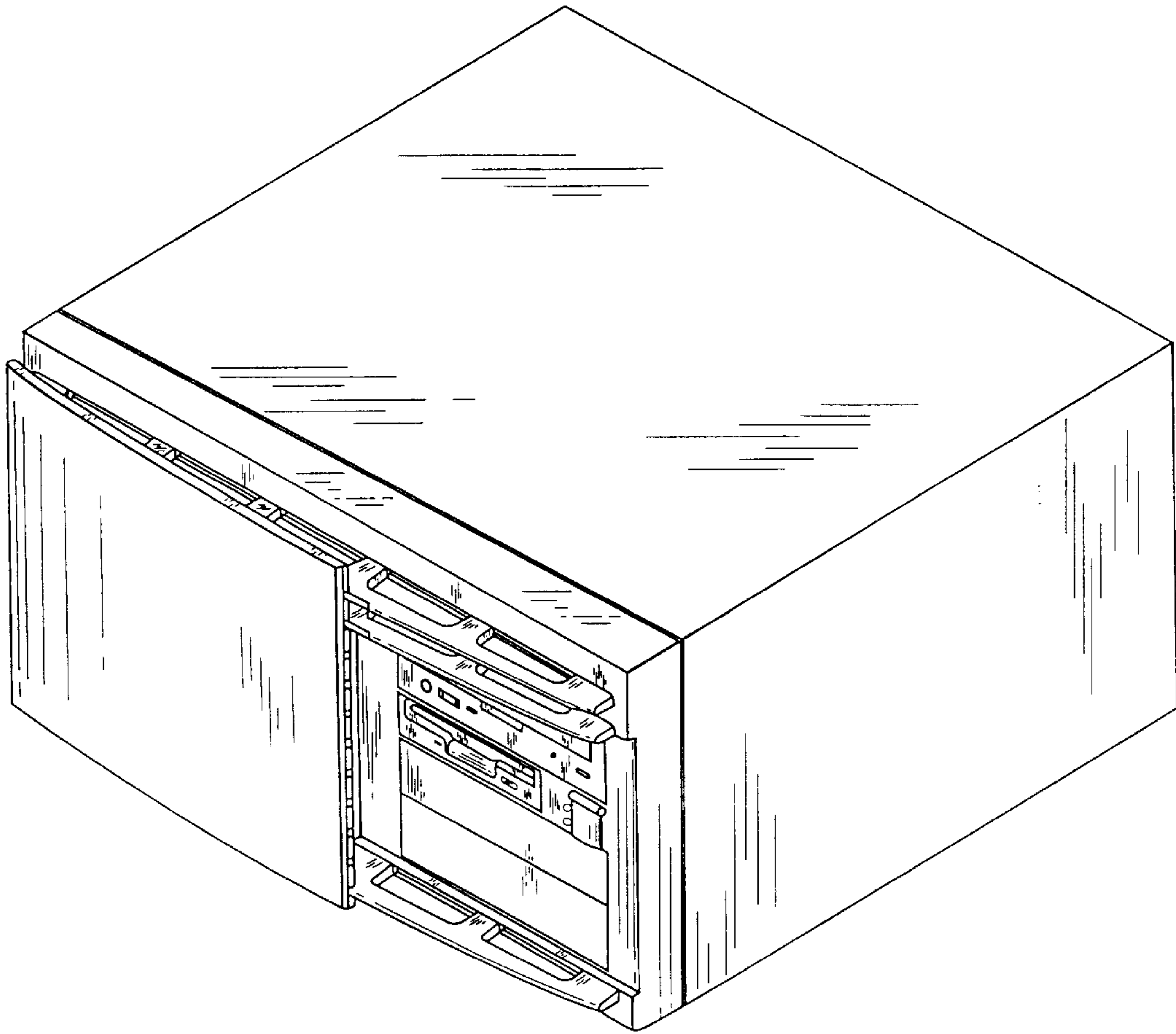


FIG. 16

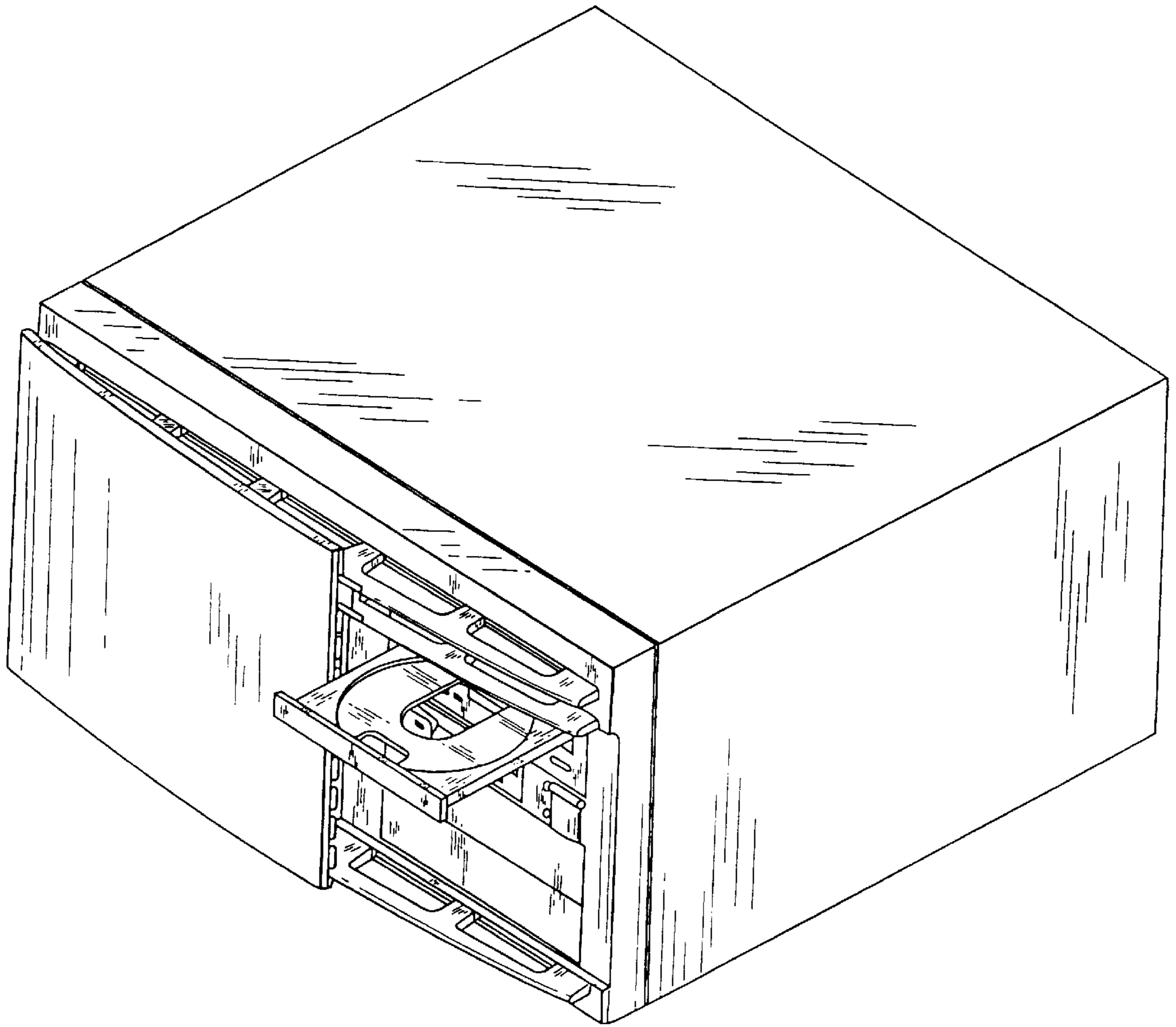


FIG. 17