



US00D423466S

United States Patent [19]

[11] Patent Number: **Des. 423,466**

Kuchta et al.

[45] Date of Patent: **** Apr. 25, 2000**

[54] **COMBINED COMPUTER, DISPLAY SCREEN, KEYBOARD, AND MOUNT ASSEMBLY**

D. 228,460	9/1973	Conway et al.	D14/106
D. 237,088	10/1975	Wiebe	D14/106
D. 269,270	6/1983	Coppola	D14/106
D. 279,782	7/1985	Bismanovsky et al.	D14/106
D. 318,063	7/1991	Saito	D18/4

[75] Inventors: **Richard Kuchta**, Shickshinny, Pa.;
Joseph R. Vivirito, South Windsor;
Timothy R. Vander Vos, Vernon, both
of Conn.

Primary Examiner—Freda Nunn
Attorney, Agent, or Firm—McCormick, Paulding & Huber
LLP

[73] Assignee: **Gerber Technology, Inc.**, Tolland,
Conn.

[57] CLAIM

[**] Term: **14 Years**

The ornamental design for a combined computer, display screen, keyboard, and mount assembly, as shown and described.

[21] Appl. No.: **29/093,198**

[22] Filed: **Sep. 4, 1998**

DESCRIPTION

[51] **LOC (6) Cl.** **14-02**

[52] **U.S. Cl.** **D14/100; D14/106**

[58] **Field of Search** D14/100, 101,
D14/106, 109, 113, 115; D13/162, 184,
199; 235/145 A, 145 R; 200/5 A, 5 R,
6 A, 6 R; 364/708.1, 709.04, 709.12; 248/917-924,
610, 643, 447.1, 205.1, 241; D18/4

FIG. 1 is a perspective view of a combined computer, display screen, keyboard, and mount assembly;

FIG. 2 is a top view;

FIG. 3 is a front view;

FIG. 4 is a rear view;

FIG. 5 is a left side view; and,

FIG. 6 is a right side view.

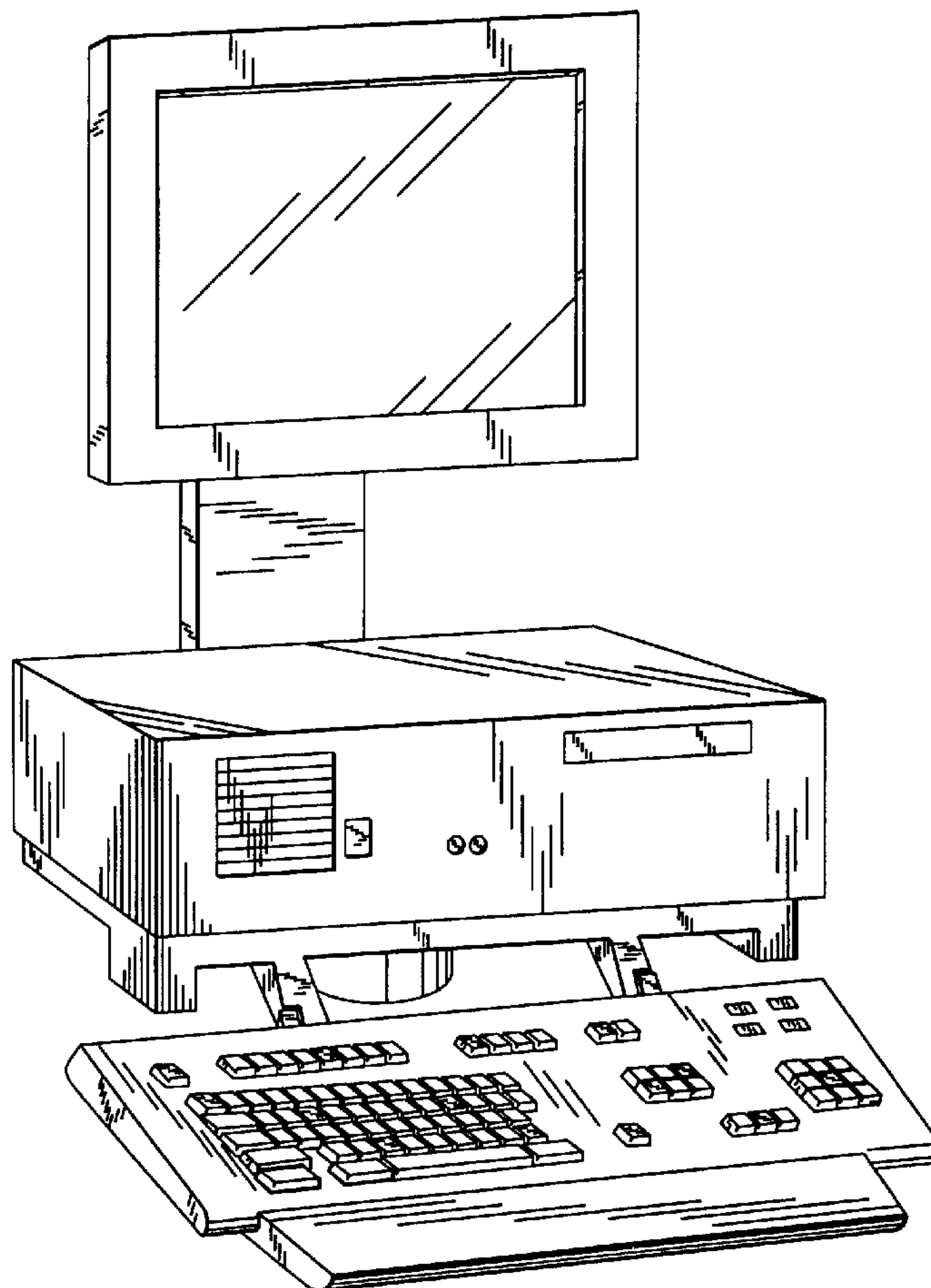
The undisclosed bottom view is unornamented except for the elements shown protruding in FIGS. 1, 3, 5 and 6.

[56] References Cited

U.S. PATENT DOCUMENTS

D. 227,899 7/1973 Genaro et al. D14/106

1 Claim, 3 Drawing Sheets



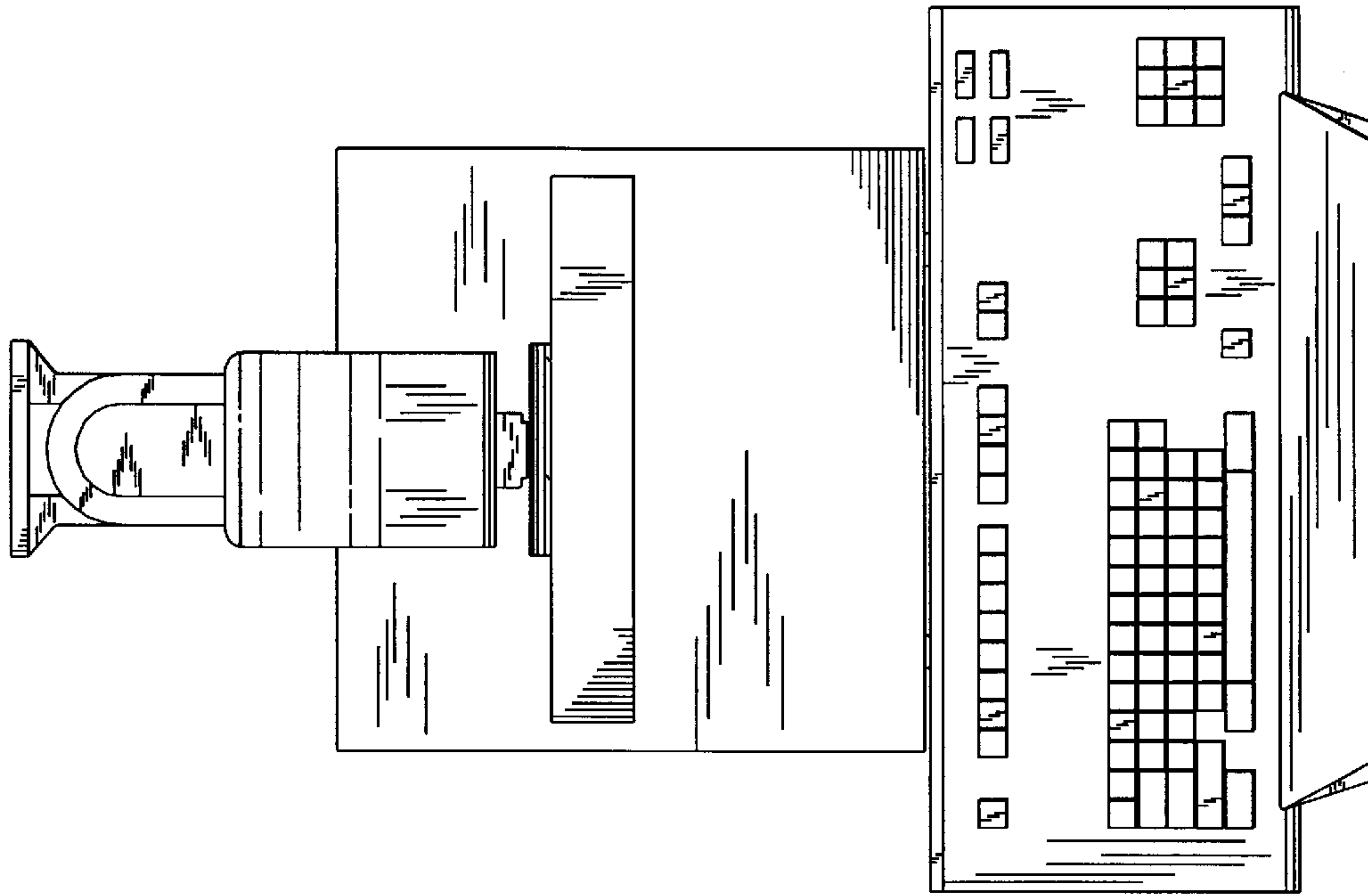


FIG. 2

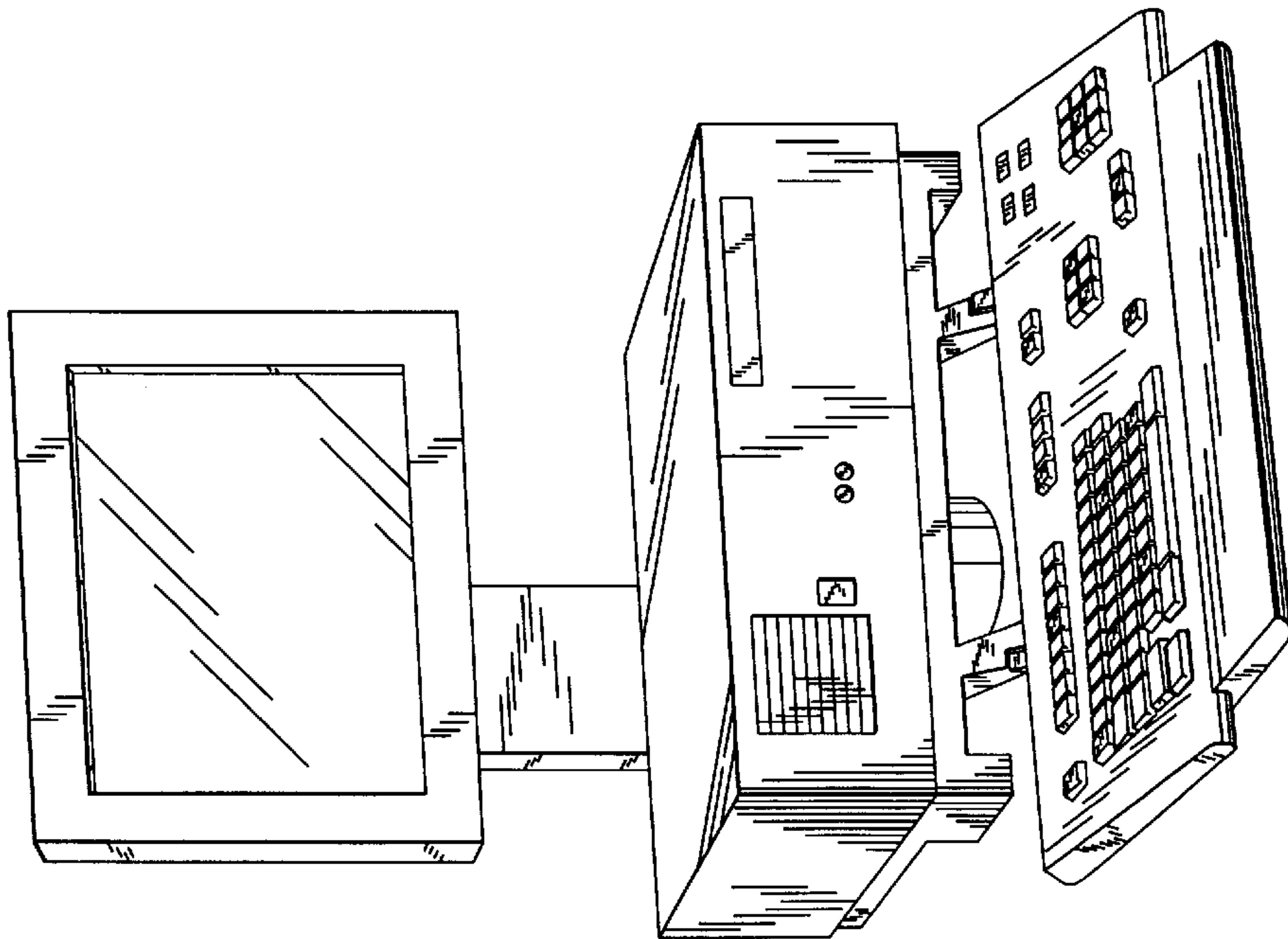


FIG. 1

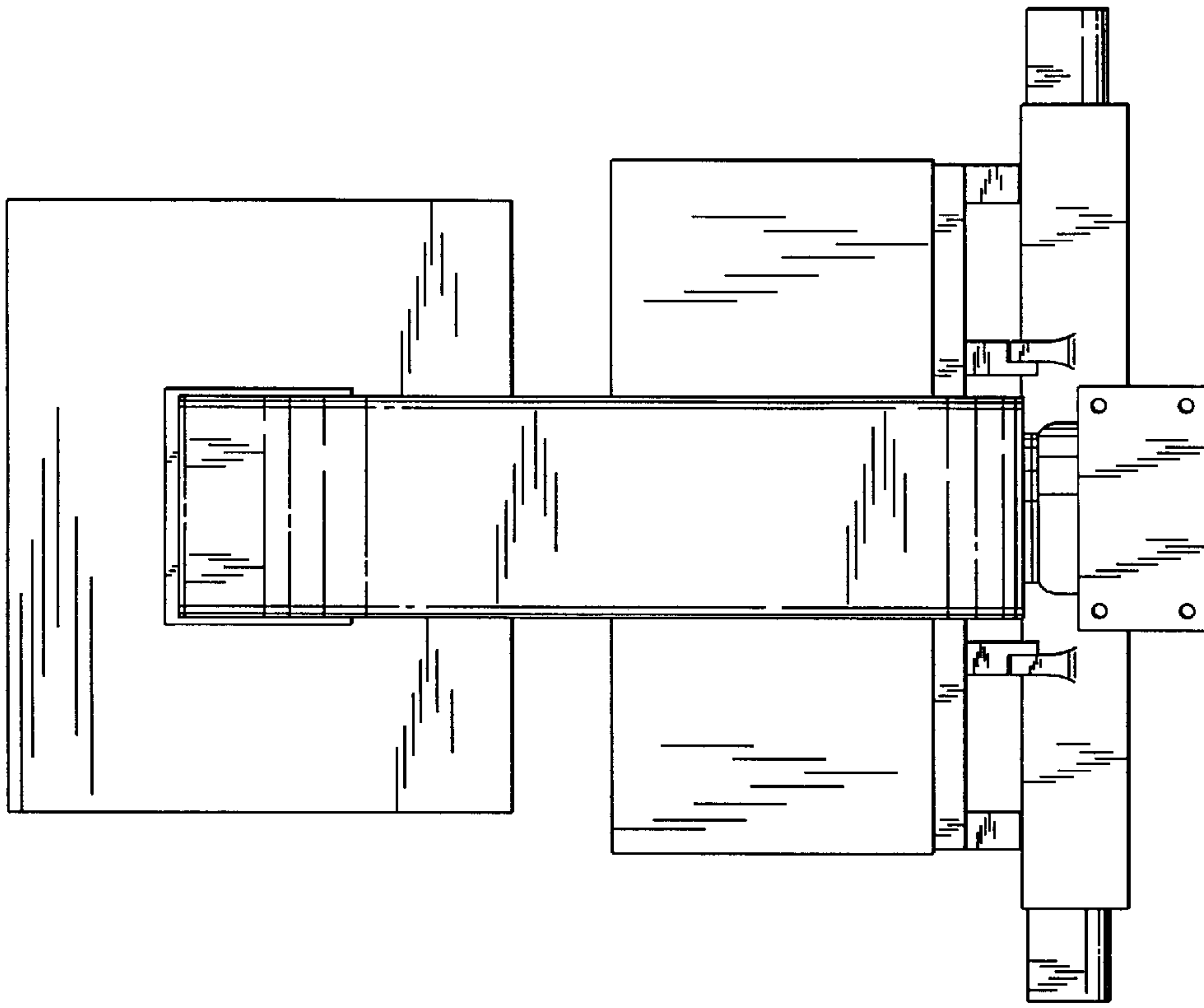


FIG. 4

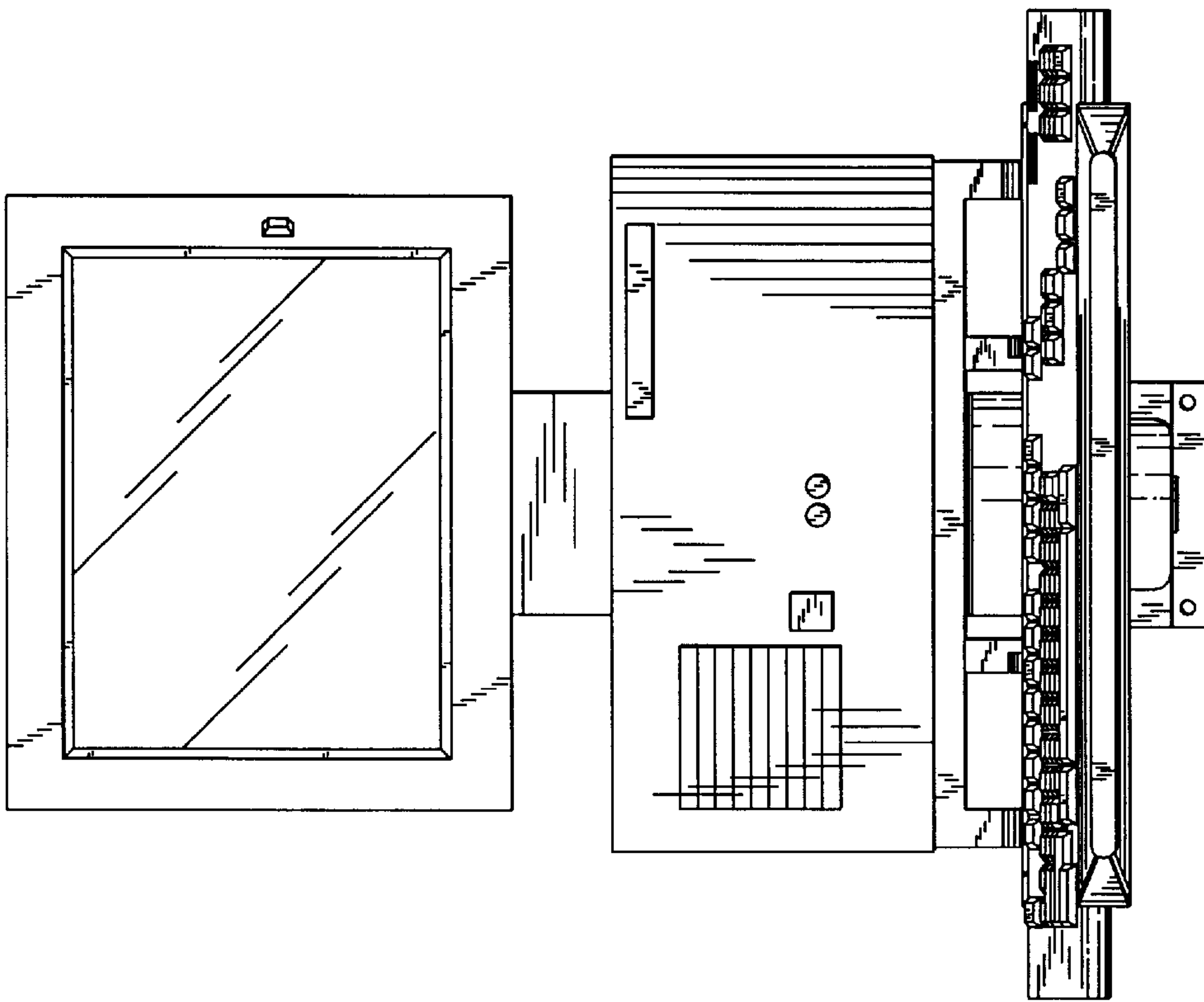


FIG. 3

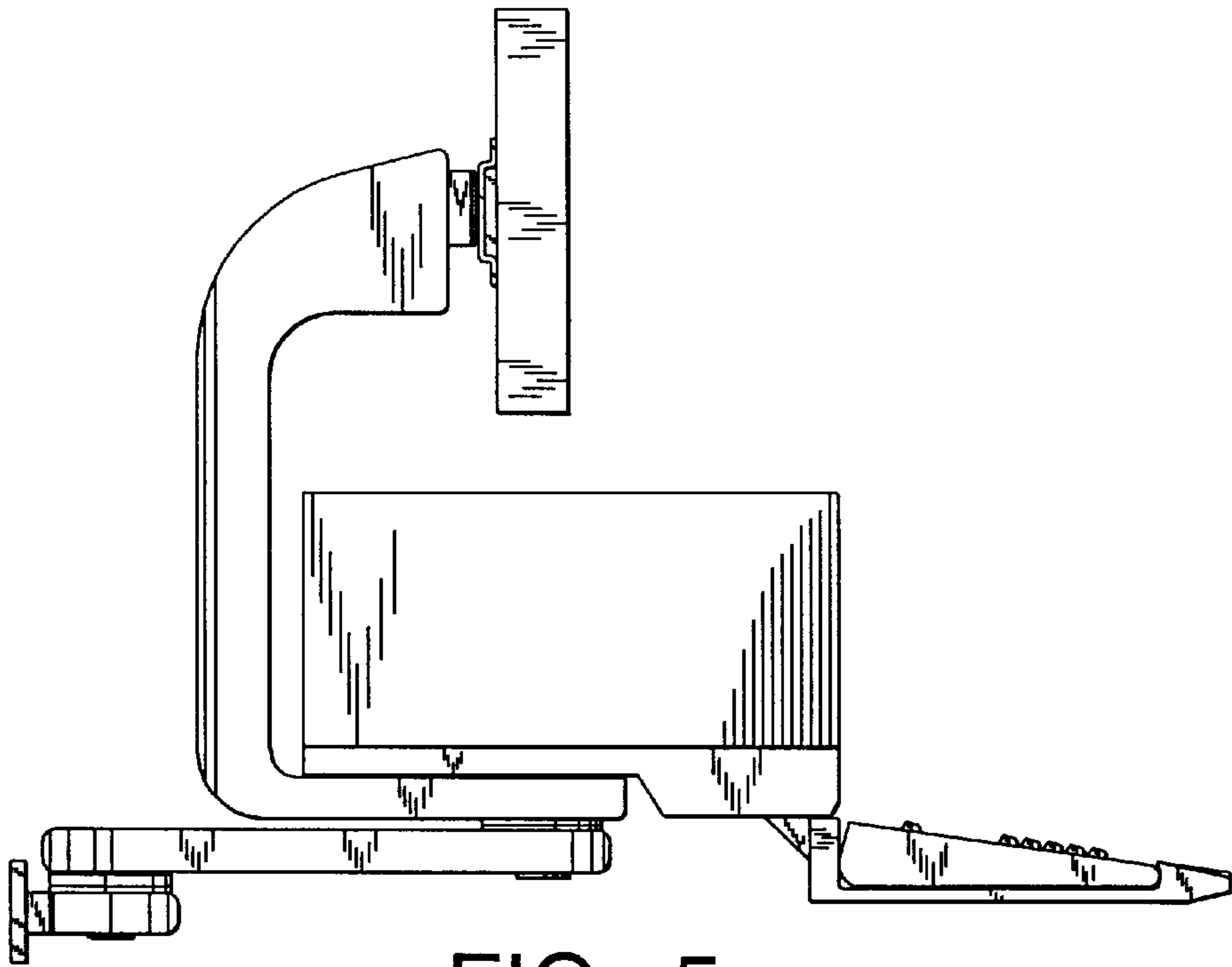


FIG. 5

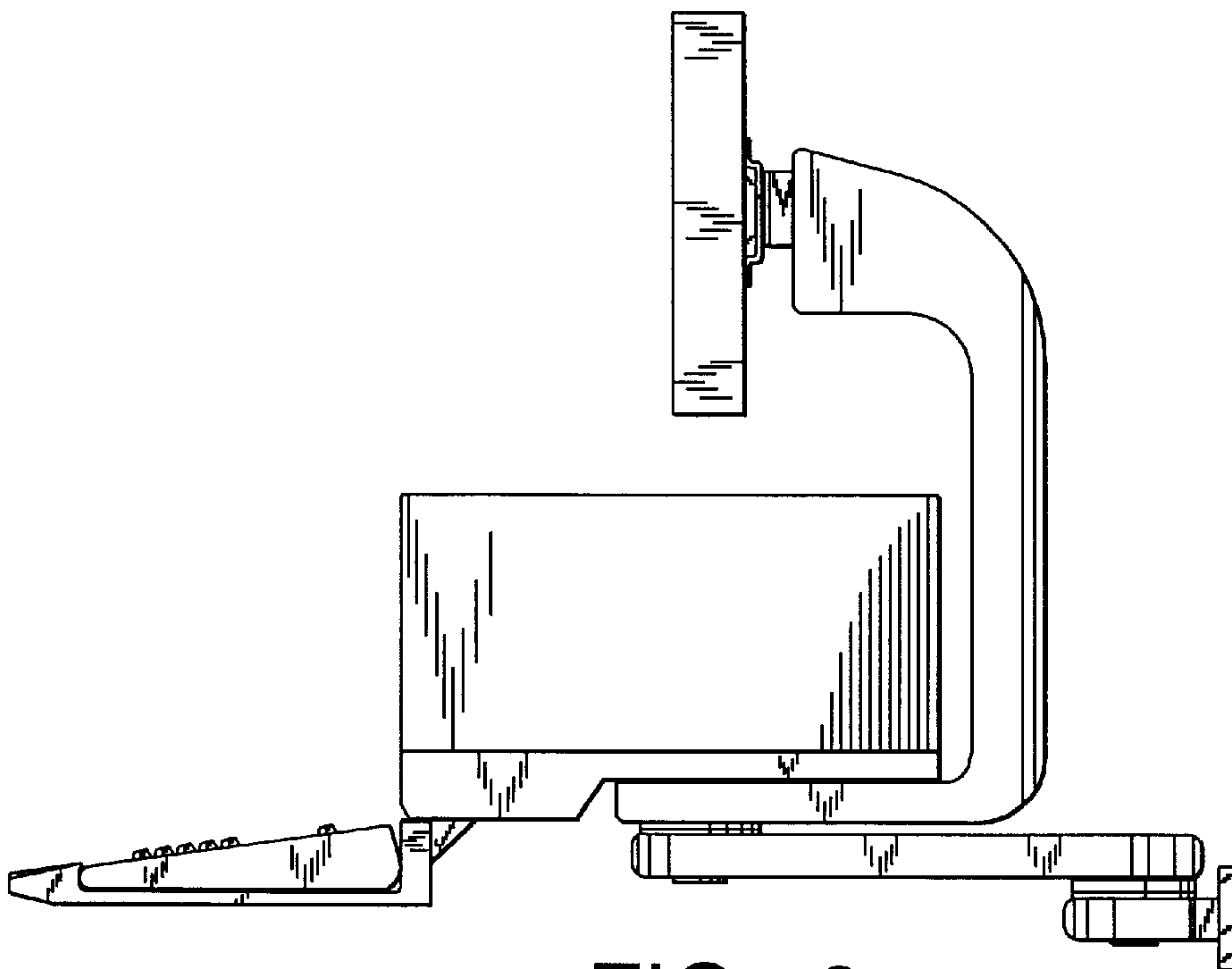


FIG. 6