



US00D423464S

United States Patent [19]
Witte

[11] **Patent Number: Des. 423,464**

[45] **Date of Patent: ** Apr. 25, 2000**

[54] **INSTRUMENT CASE**

[75] Inventor: **Kay-Uwe Witte**, Offenbach, Germany

[73] Assignee: **Rittal-Werk Rudolf Loh GmbH & Co. KG**, Herborn, Germany

[**] Term: **14 Years**

[21] Appl. No.: **29/088,978**

[22] Filed: **Jun. 4, 1998**

- D. 375,938 11/1996 Muller et al. D13/184
- D. 375,942 11/1996 Fursier et al. D13/184
- D. 390,198 2/1998 Mayfield, III D13/184
- D. 391,232 2/1998 Hartel et al. D13/184

Primary Examiner—Brian N. Vinson
Attorney, Agent, or Firm—Speckman Pauley Petersen & Fejer

Related U.S. Application Data

[62] Division of application No. 29/070,328, May 6, 1997.

[30] **Foreign Application Priority Data**

Nov. 7, 1996 [DE] Germany M 96 09 457

[51] **LOC (6) Cl.** **13-03**

[52] **U.S. Cl.** **D13/184**

[58] **Field of Search** D13/184; D14/102,
D14/240; 361/641, 724, 679; 312/204,
216, 223.1, 223.2

[56] **References Cited**

U.S. PATENT DOCUMENTS

D. 340,700 10/1993 Shukur et al. D13/184

[57] **CLAIM**

The ornamental design for an instrument case, as shown.

DESCRIPTION

FIG. 1 is a perspective view of an instrument case according to this invention;

FIG. 2 is a front view of the instrument case as shown in FIG. 1;

FIG. 3 is a side view of the instrument case as shown in FIG. 1;

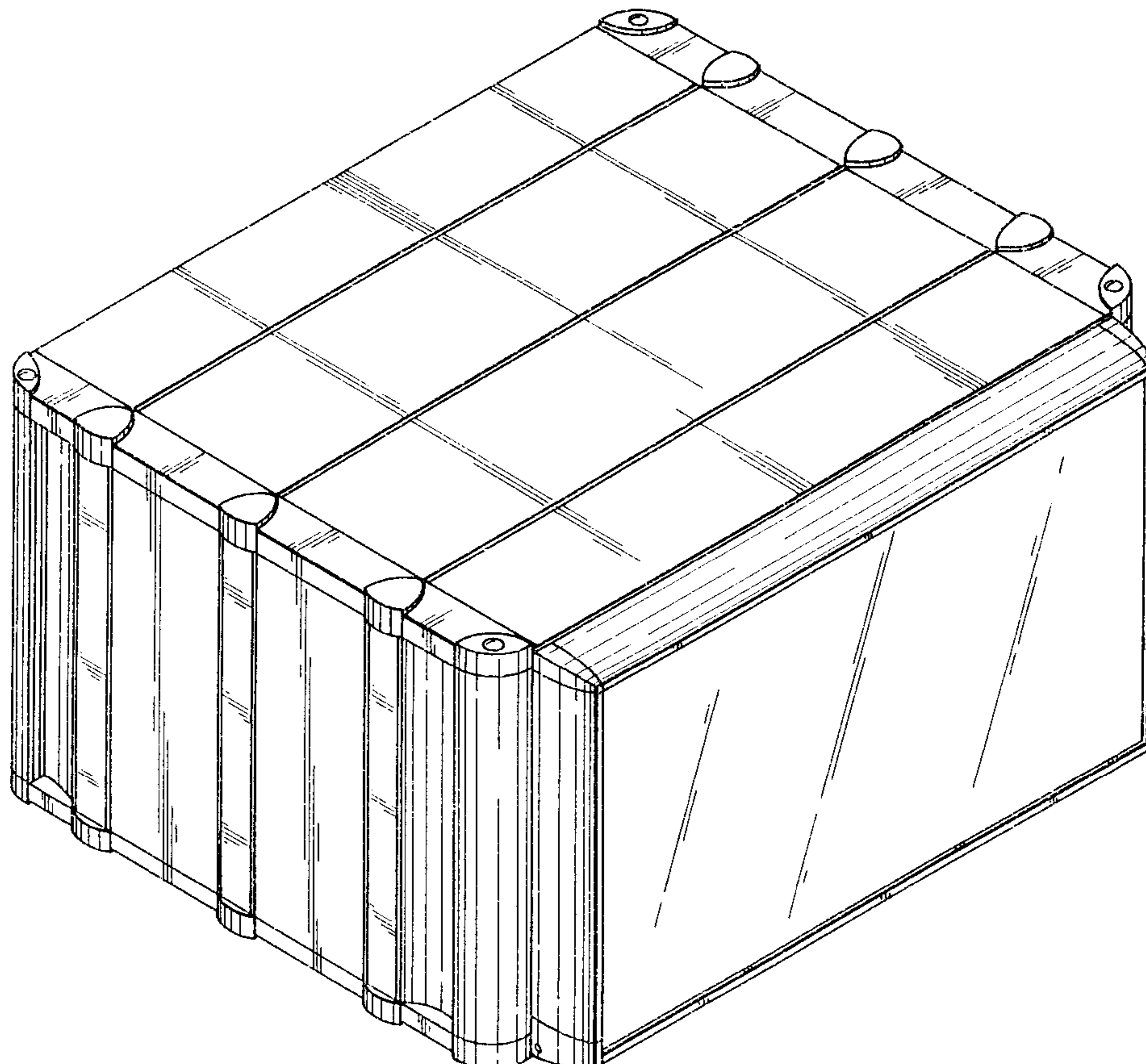
FIG. 4 is a side view, opposite the side view shown in FIG. 3, of the instrument case as shown in FIG. 1;

FIG. 5 is a top view of the instrument case as shown in FIG. 1;

FIG. 6 is a bottom view of the instrument case as shown in FIG. 1; and,

FIG. 7 is a rear view of the instrument case as shown in FIG. 1.

1 Claim, 4 Drawing Sheets



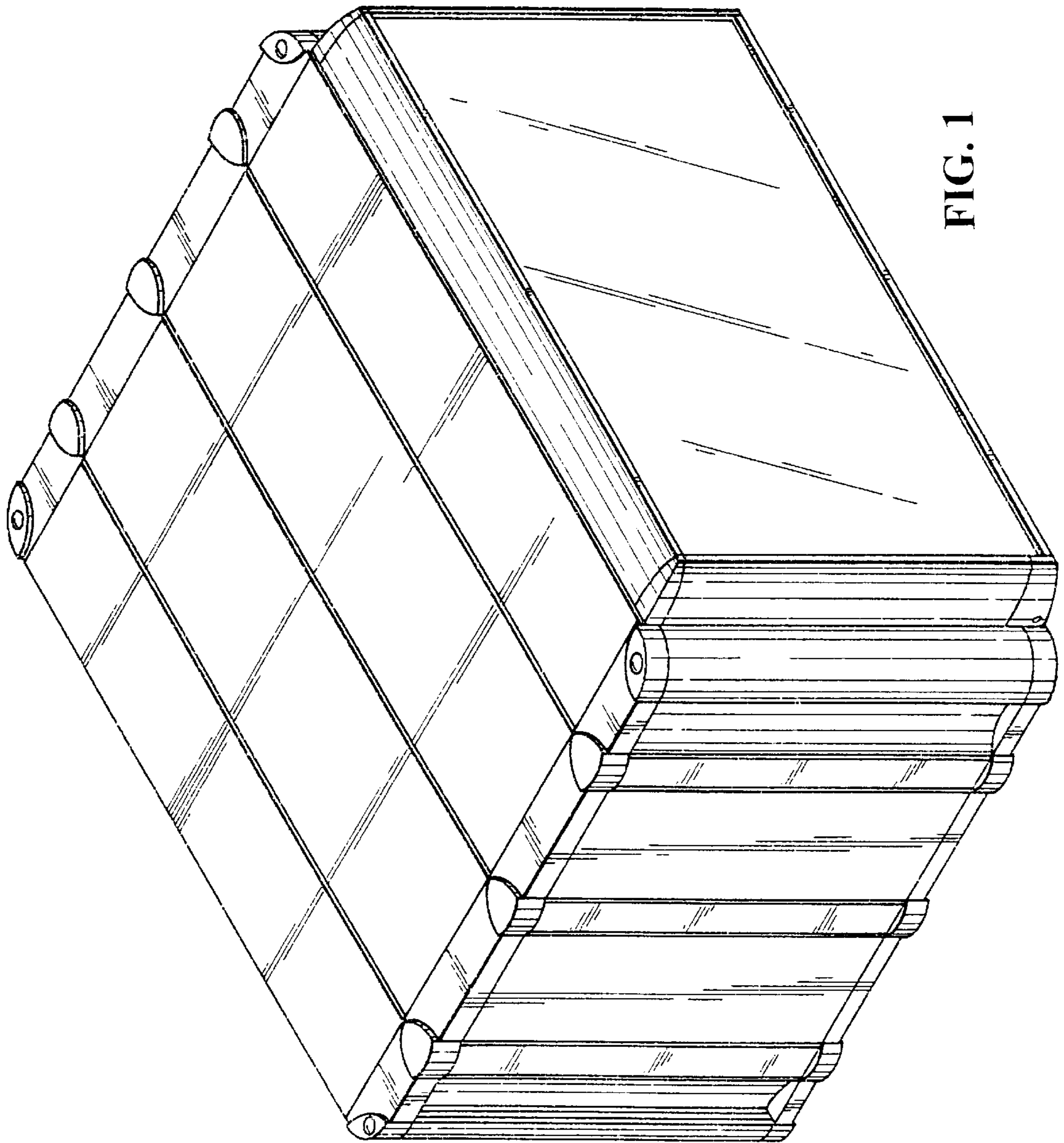


FIG. 1

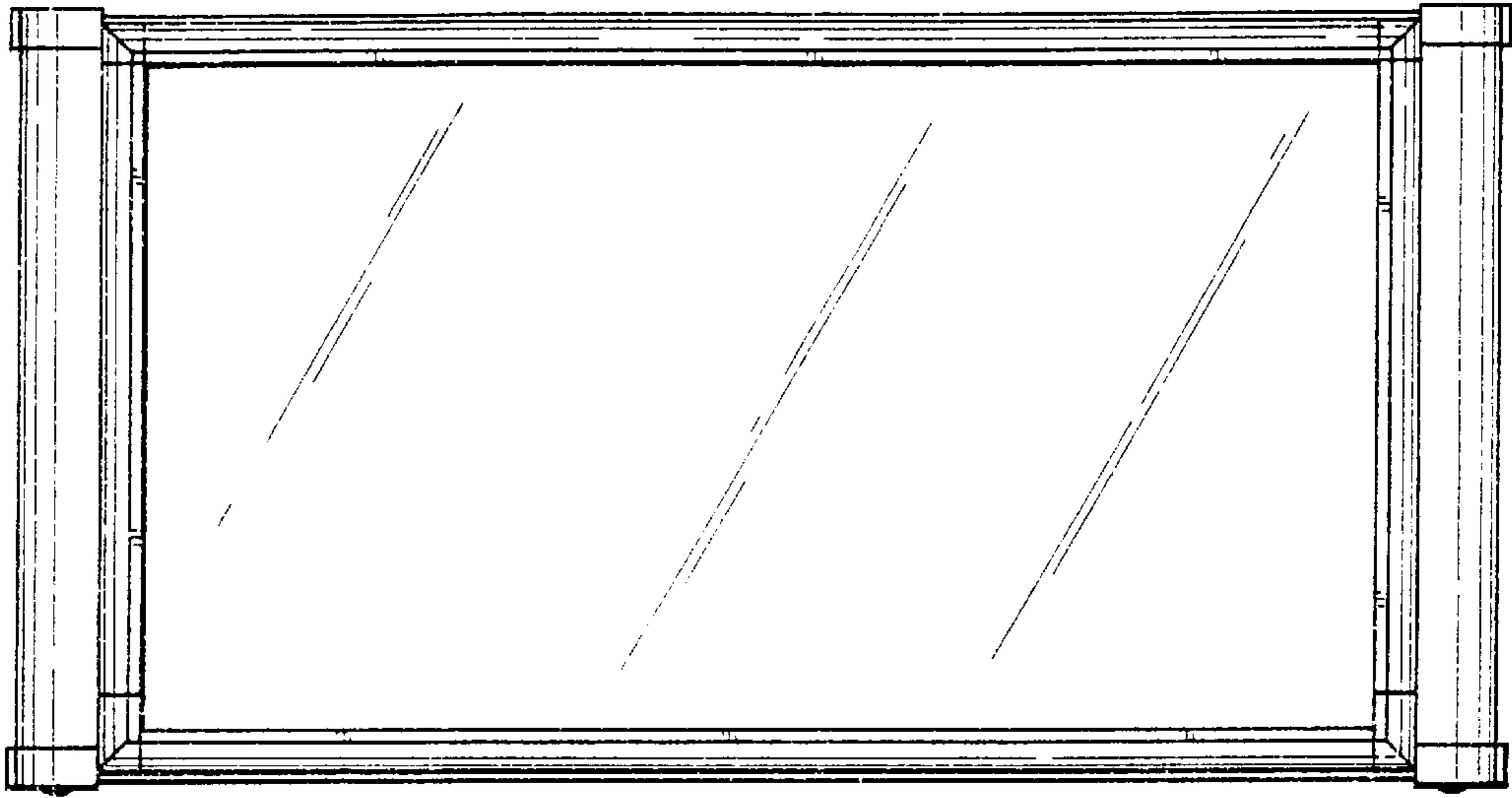


FIG. 2

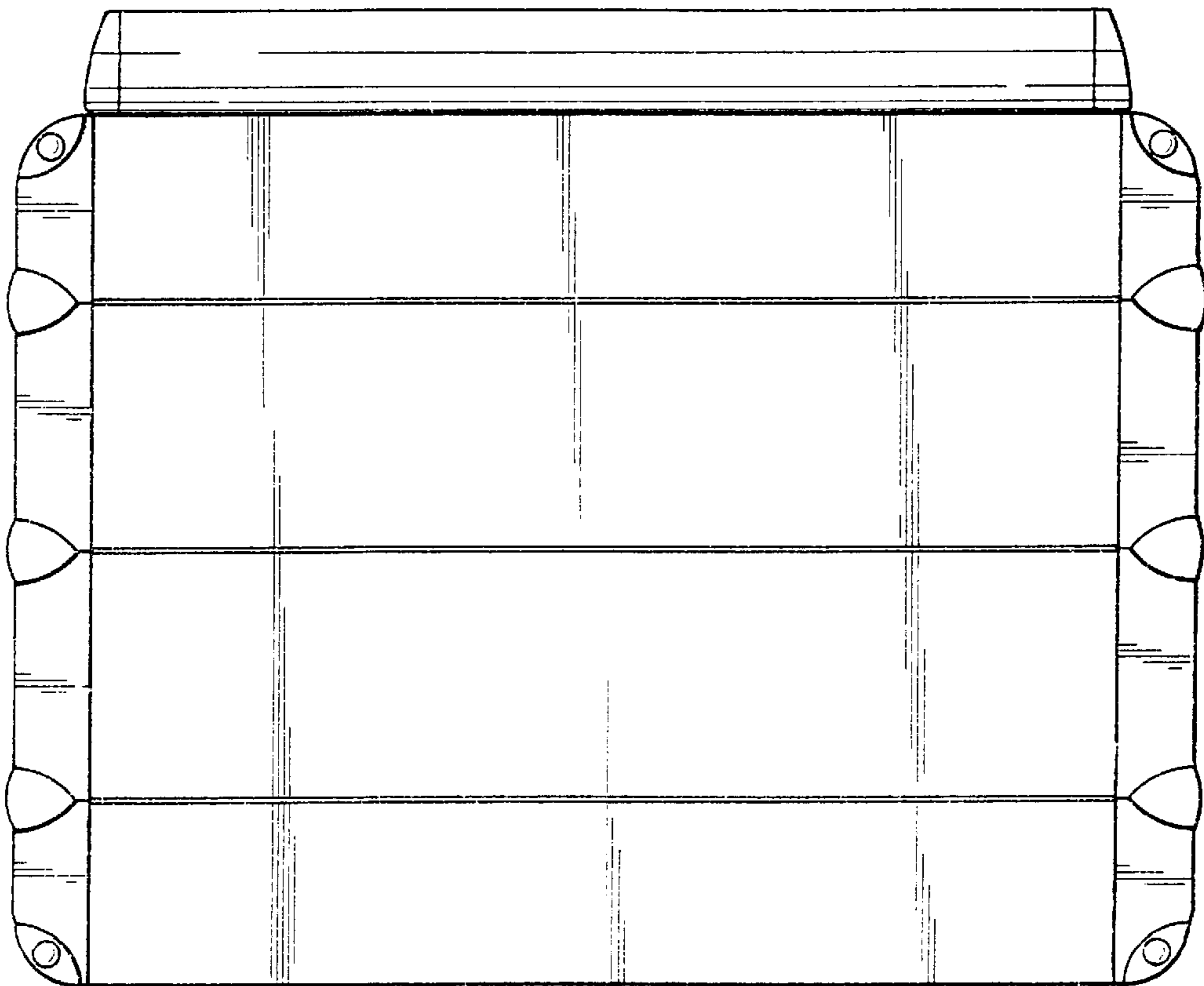


FIG. 5

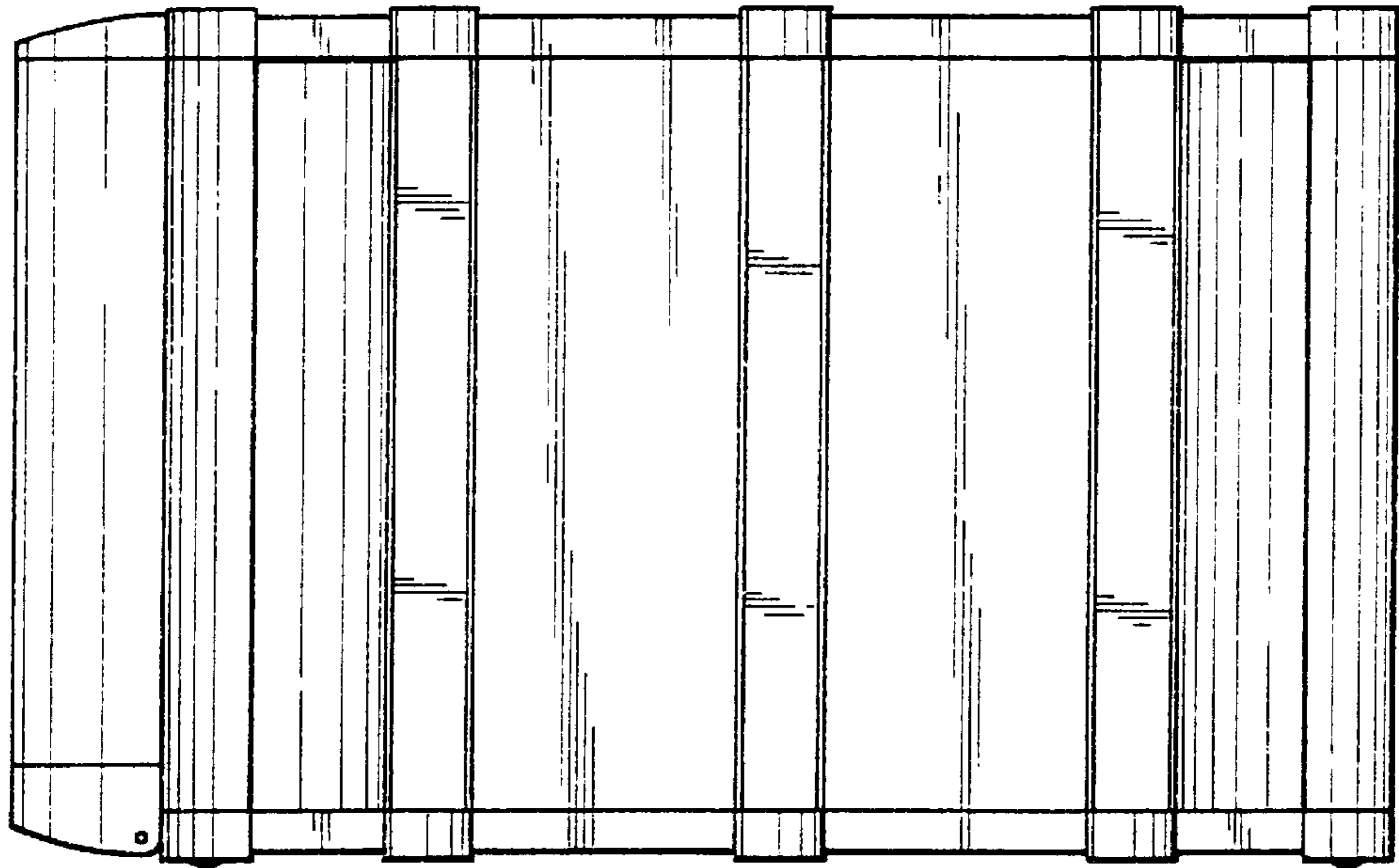


FIG. 3

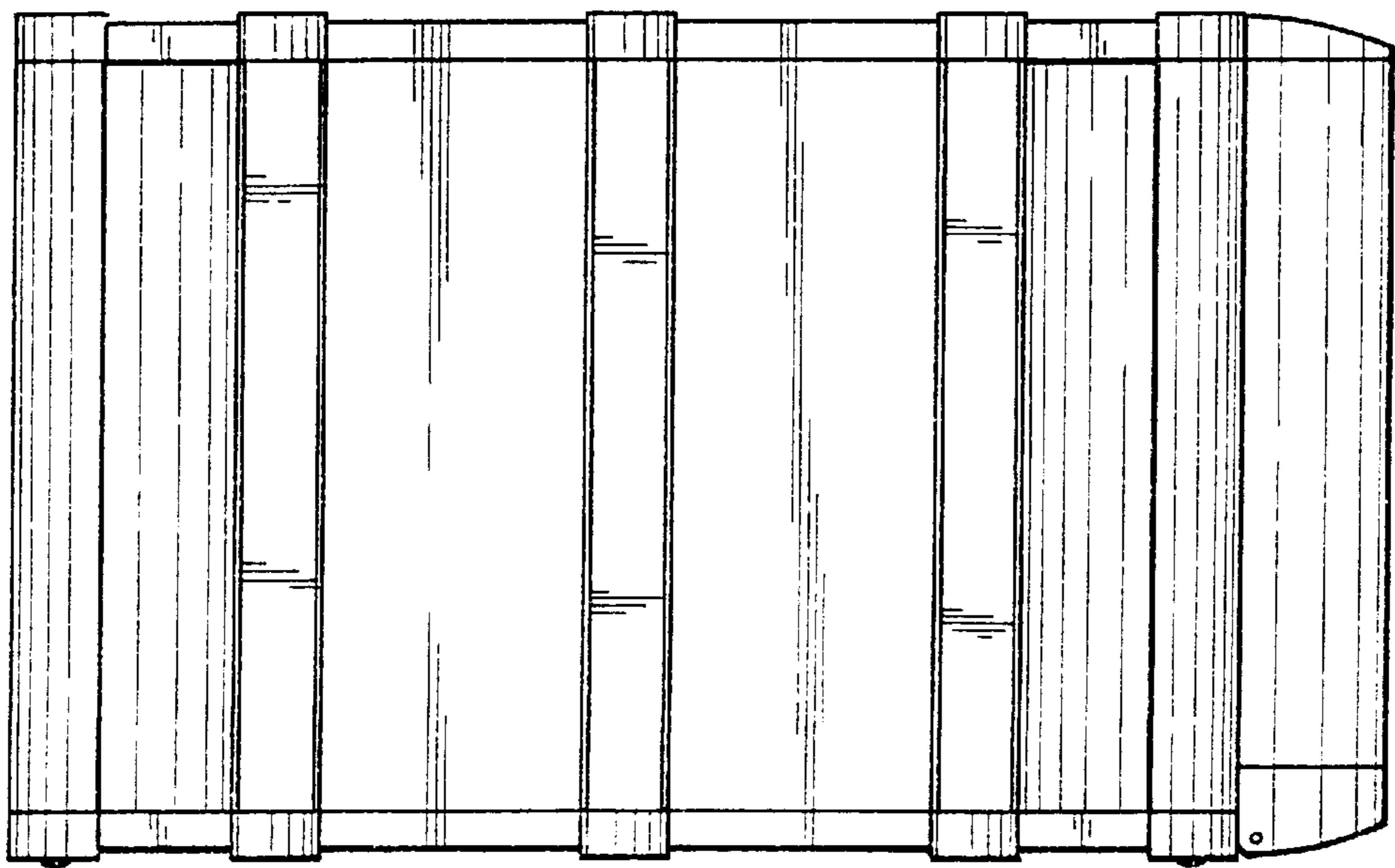


FIG. 4

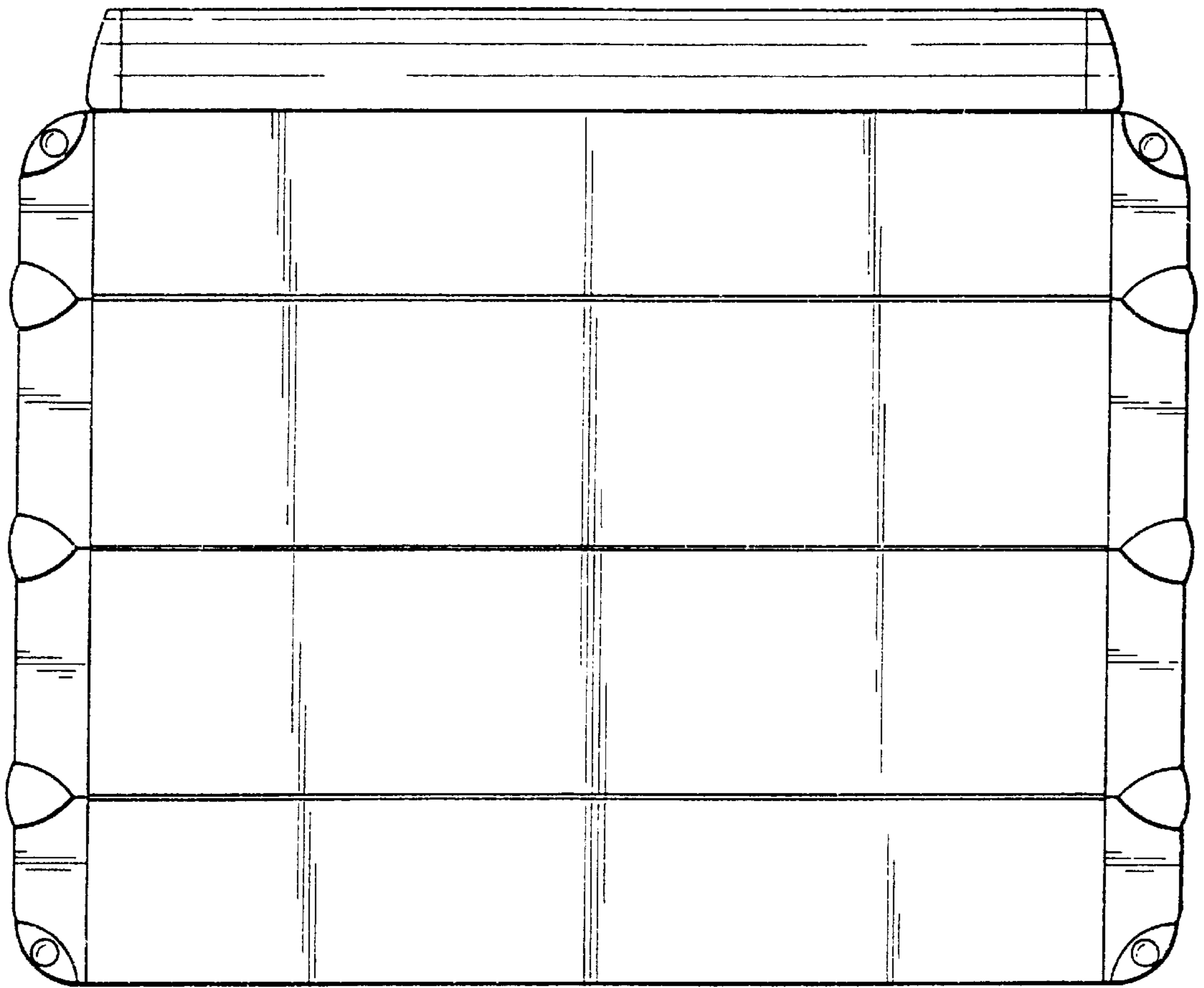


FIG. 6

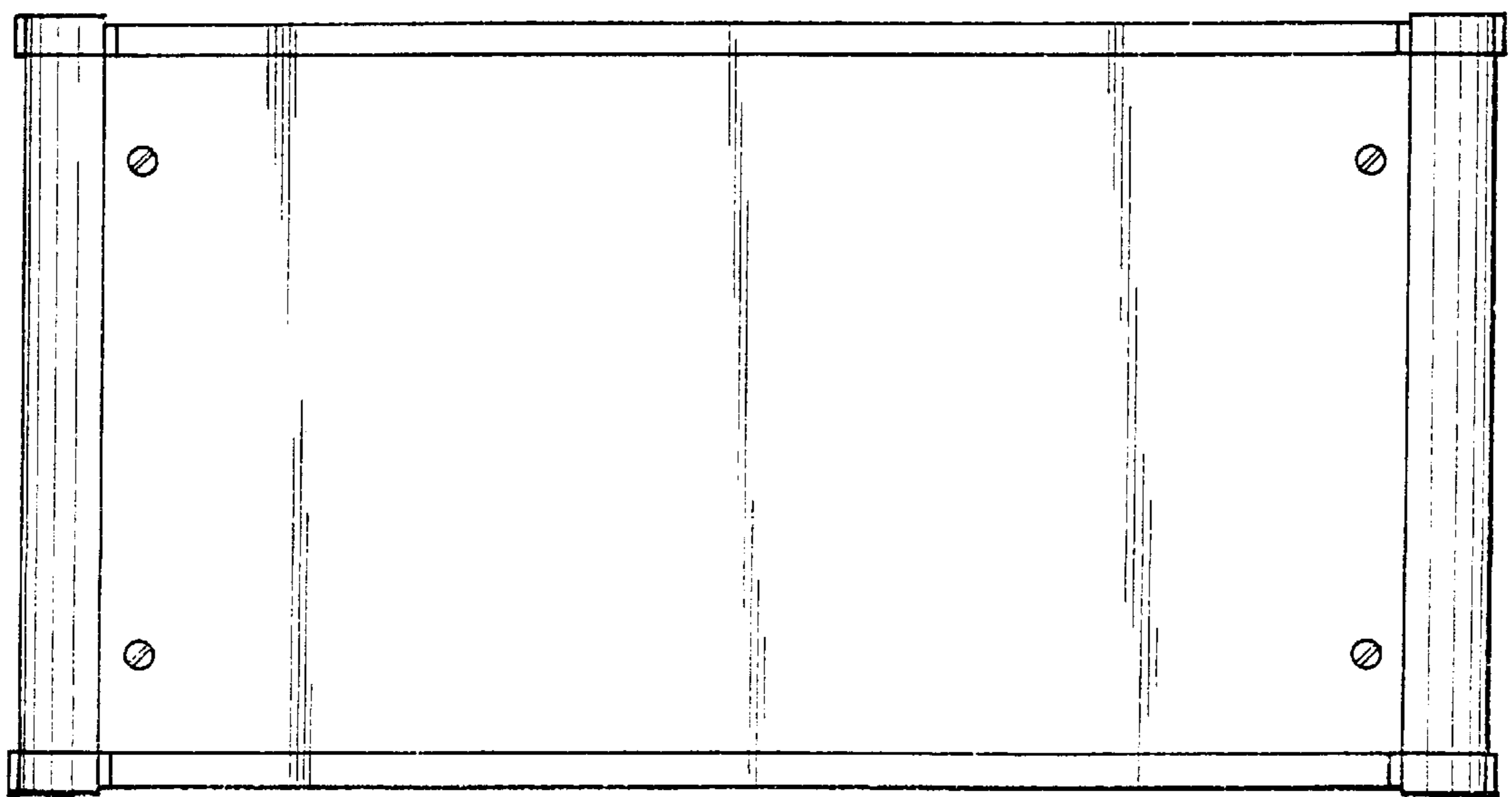


FIG. 7