



US00D423463S

United States Patent [19]

Hanagata et al.

[11] Patent Number: Des. 423,463

[45] Date of Patent: ** Apr. 25, 2000

[54] QUARTZ PROCESS TUBE

[75] Inventors: Testuya Hanagata, Tokyo; Shingo Watanabe, Kanagawa, both of Japan

[73] Assignee: Tokyo Electron Limited, Tokyo-To, Japan

[**] Term: 14 Years

[21] Appl. No.: 29/074,280

[22] Filed: Jul. 24, 1997

[30] Foreign Application Priority Data

Jan. 31, 1997 [JP] Japan 9-2643

[51] LOC (6) Cl. 13-03

[52] U.S. Cl. D13/182

[58] Field of Search D23/340; D13/182; D15/144, 144.1, 199; 392/416, 418; 118/724, 725, 500

[56] References Cited

U.S. PATENT DOCUMENTS

5,303,671 4/1994 Fondo et al. 118/725

5,458,685 10/1995 Hasebe et al. 118/725

5,520,742 5/1996 Ohkase 118/725

5,536,918 7/1996 Ohkase et al. 118/725

Primary Examiner—Lisa Lichtenstein
Attorney, Agent, or Firm—Ladas & Parry

[57] CLAIM

The ornamental design for a quartz process tube, as shown.

DESCRIPTION

FIG. 1 a perspective view of a quartz process tube.

FIG. 2 a front elevational view thereof.

FIG. 3 a top plan view thereof.

FIG. 4 a bottom plan view thereof.

FIG. 5 a cross sectional view thereof taken along line 5—5 in FIG. 2.

FIG. 6 a rear elevational view thereof.

FIG. 7 a left side view thereof.

FIG. 8 a right side view thereof.

FIG. 9 a cross sectional view thereof taken along line 9—9 in FIG. 3; and,

FIG. 10 a cross sectional view thereof taken along line 10—10 in FIG. 3.

1 Claim, 5 Drawing Sheets

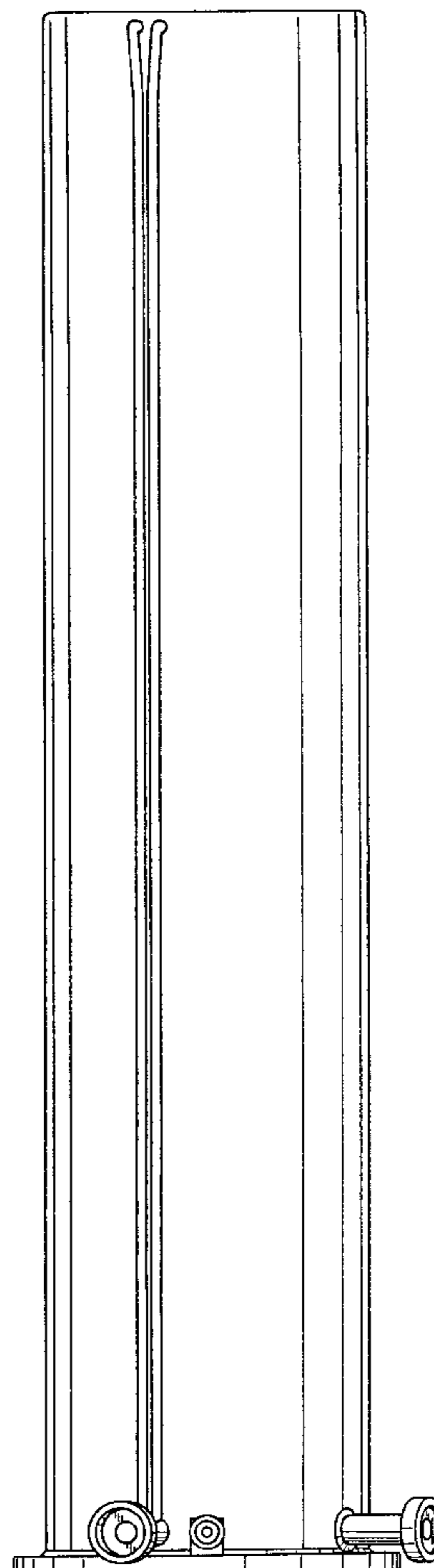
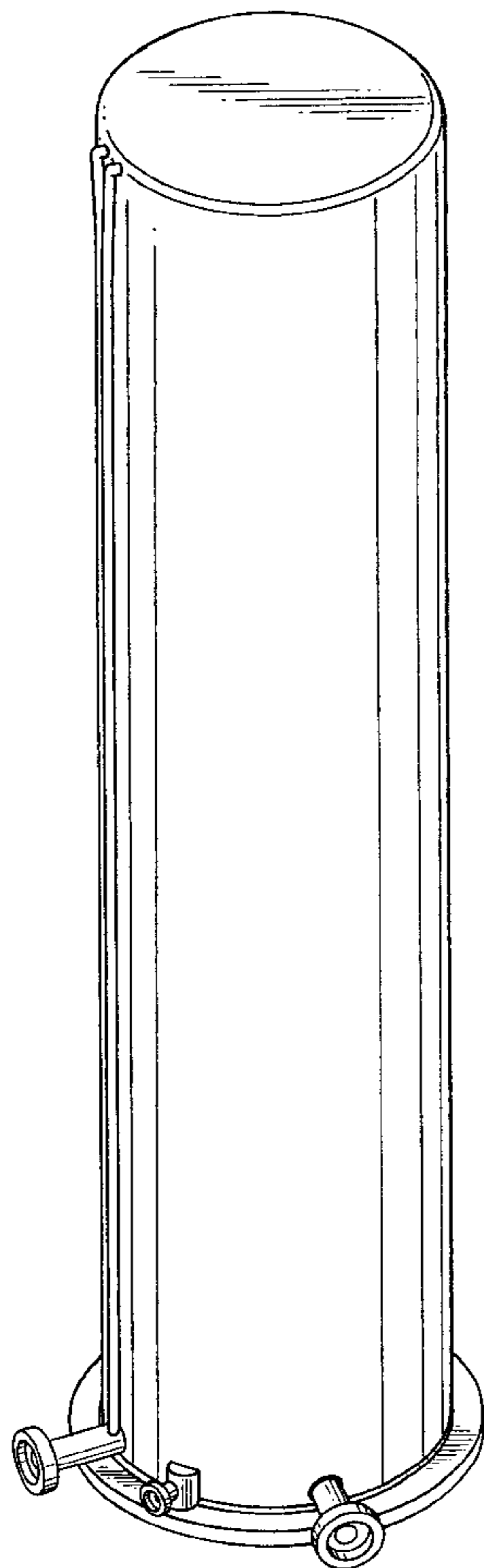


FIG. 1

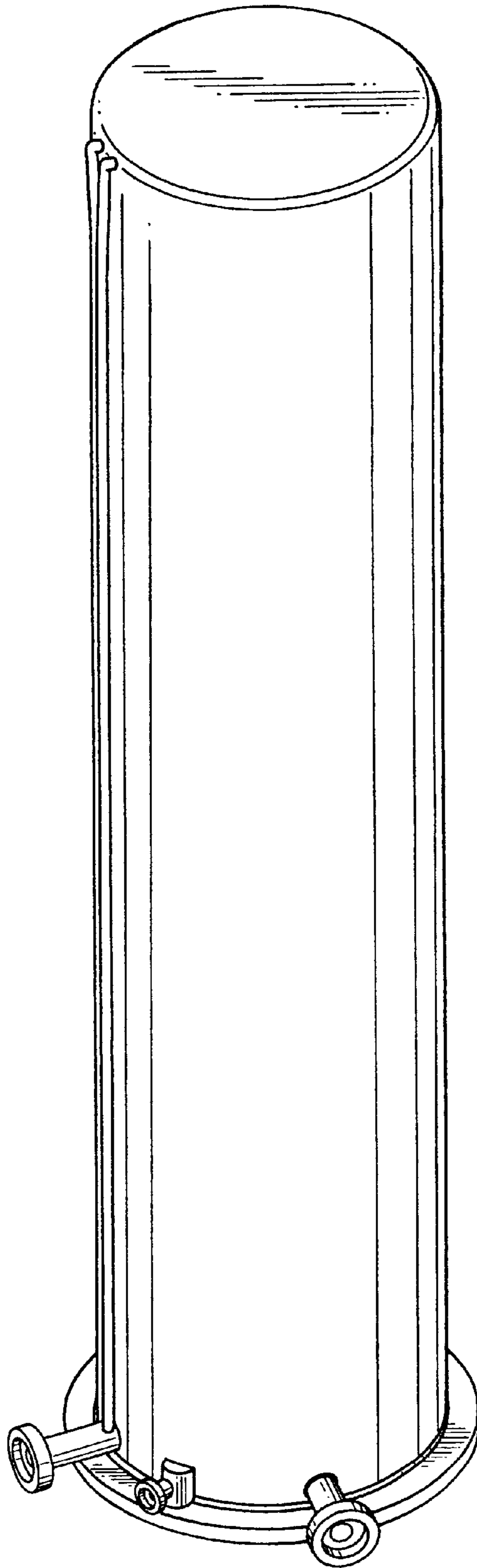


FIG. 2

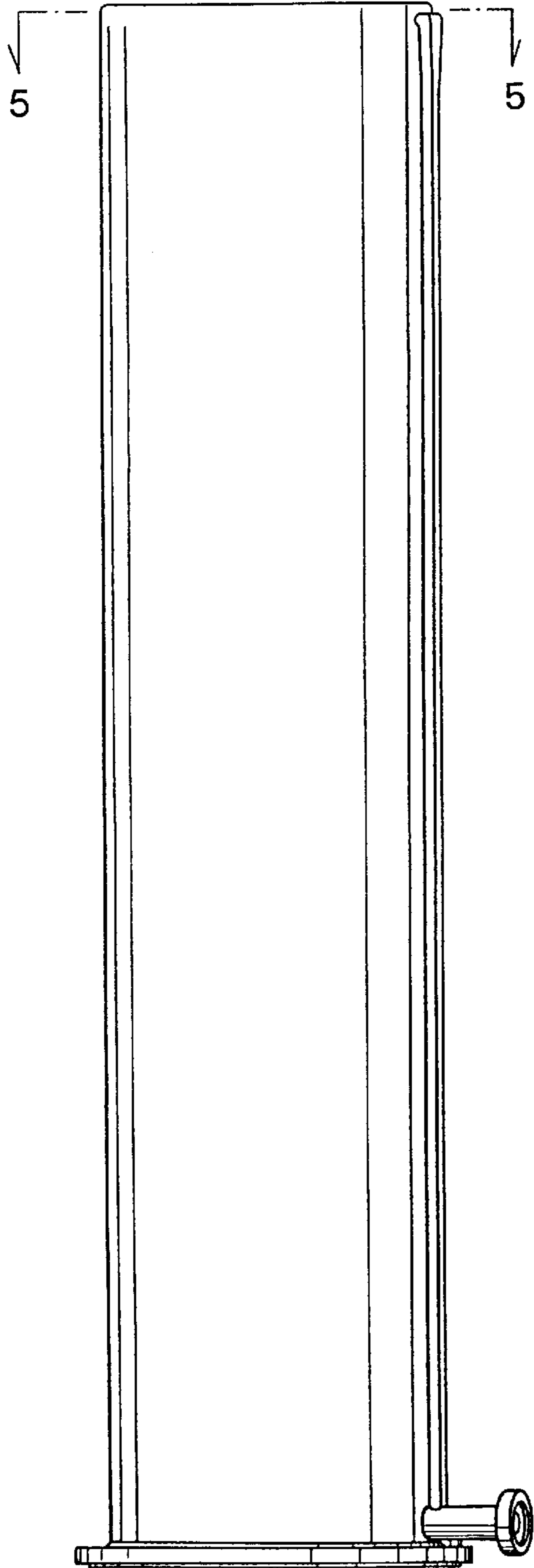


FIG. 3

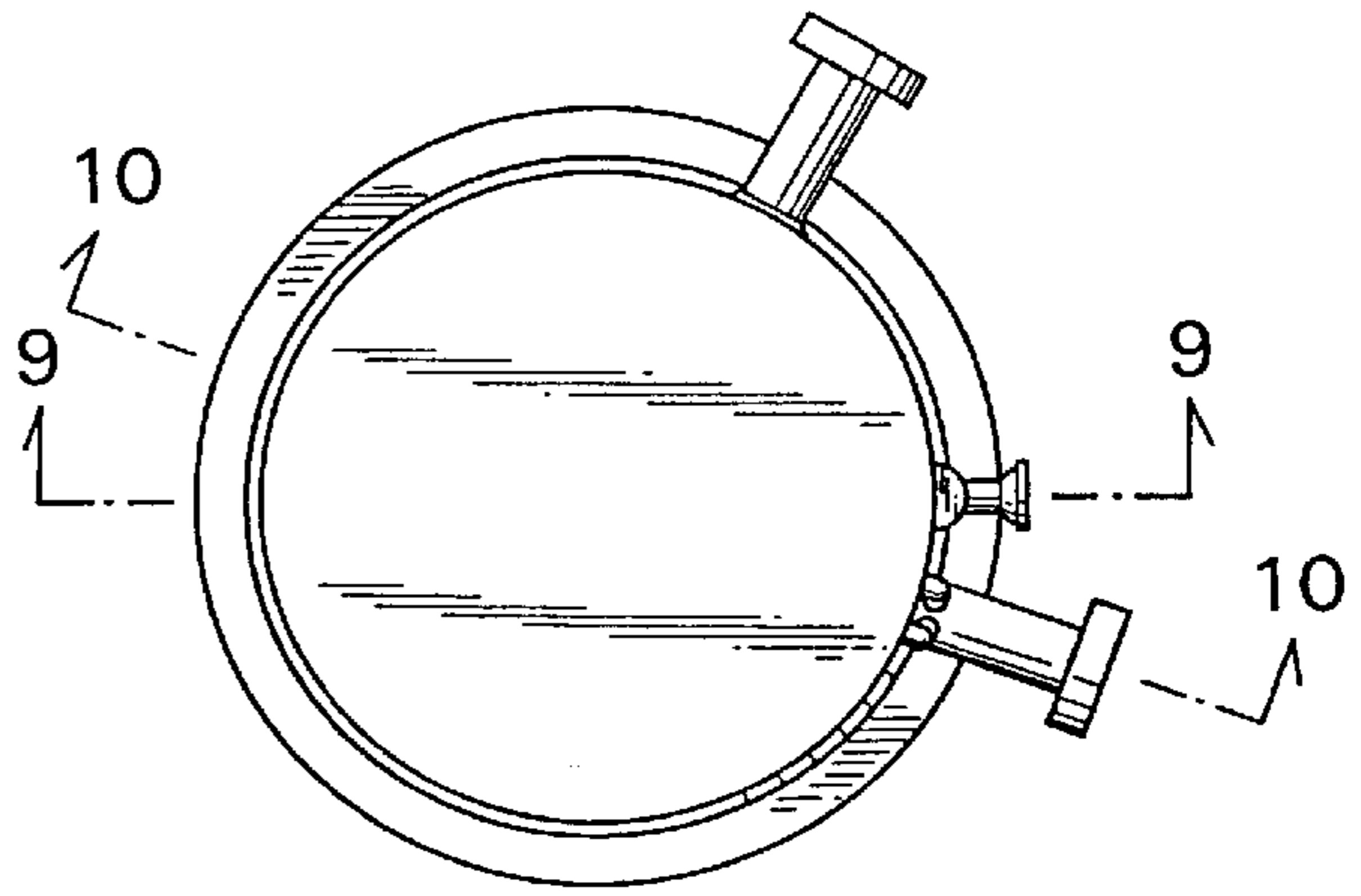


FIG. 4

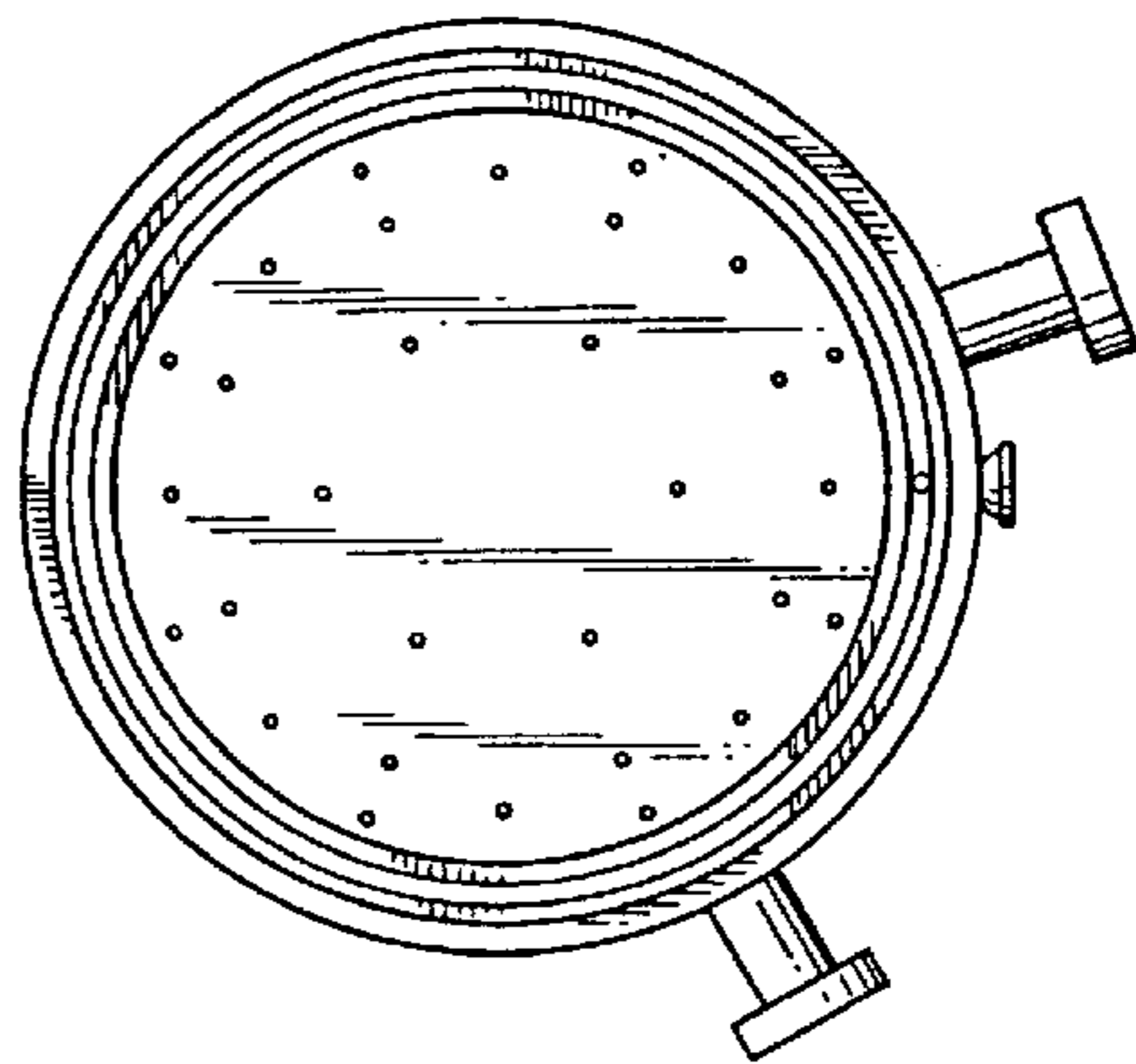


FIG. 5

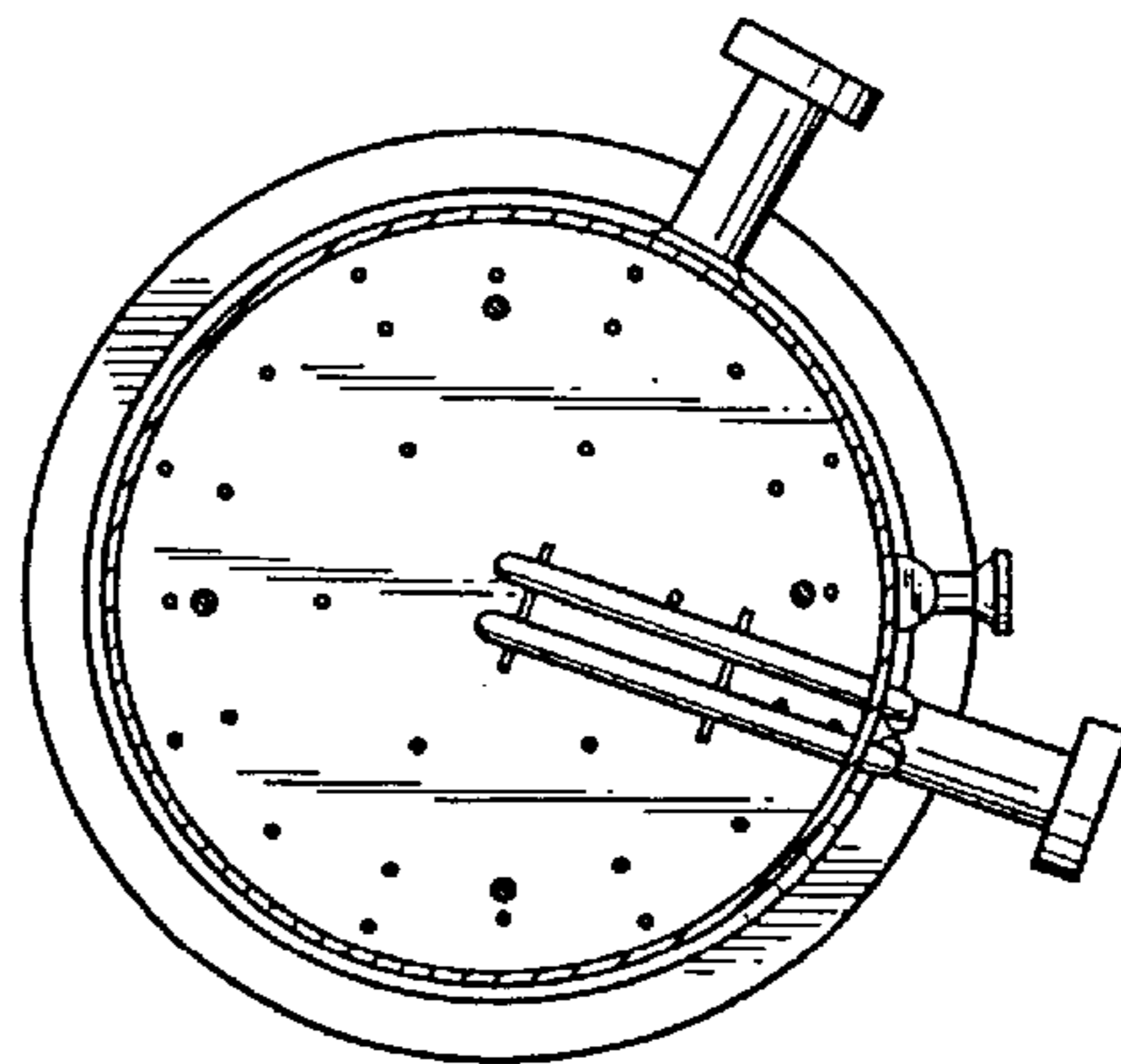


FIG. 6

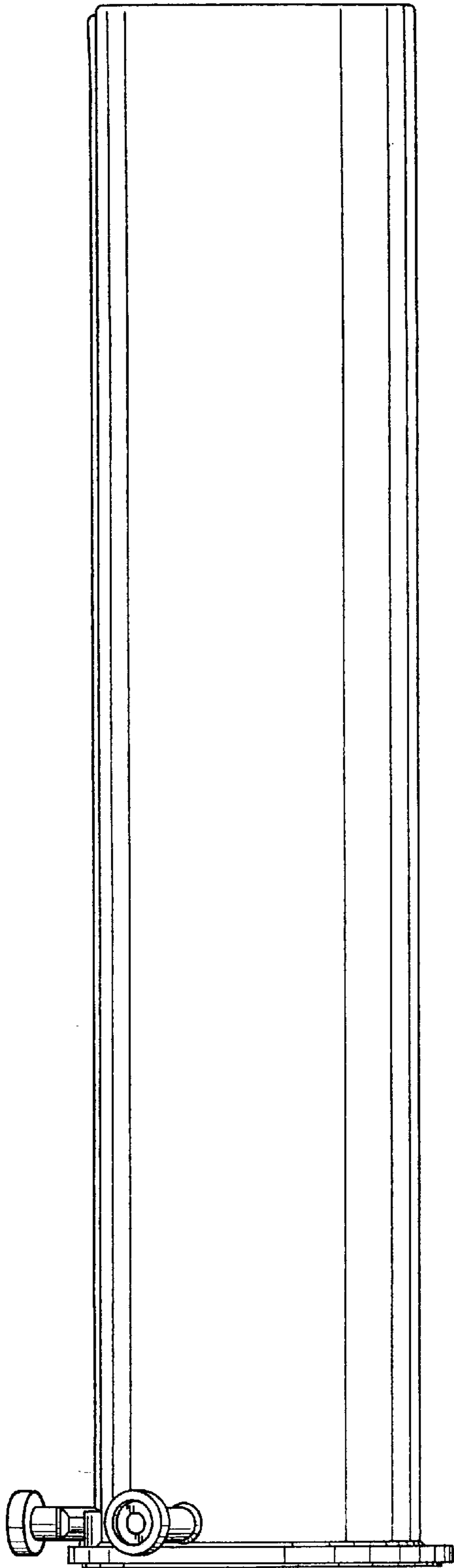


FIG. 7

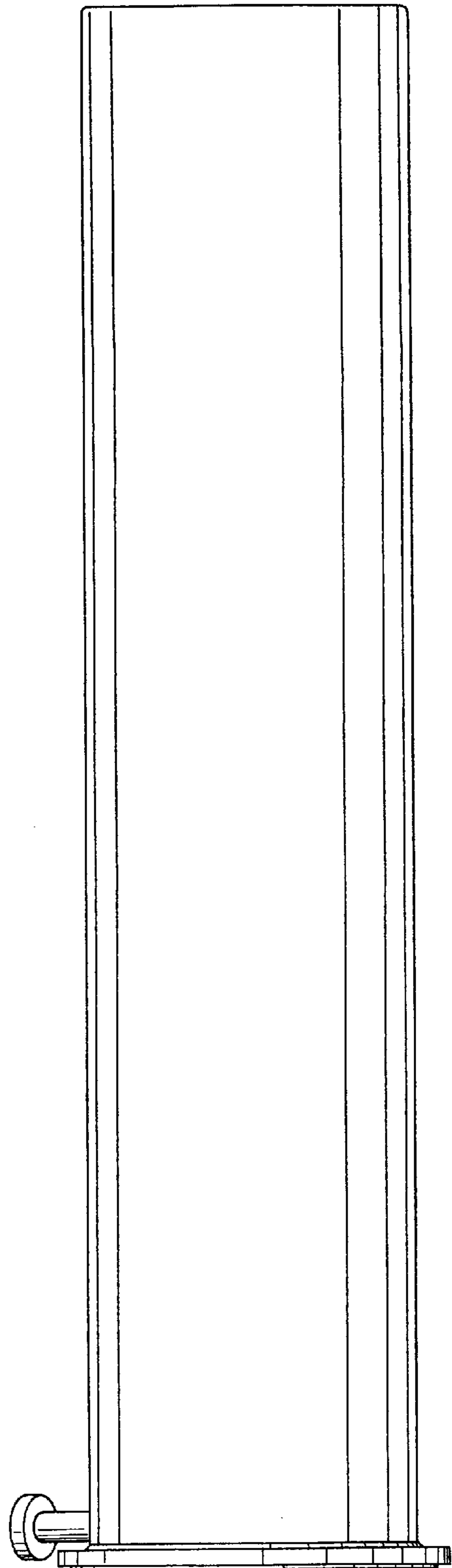


FIG. 8

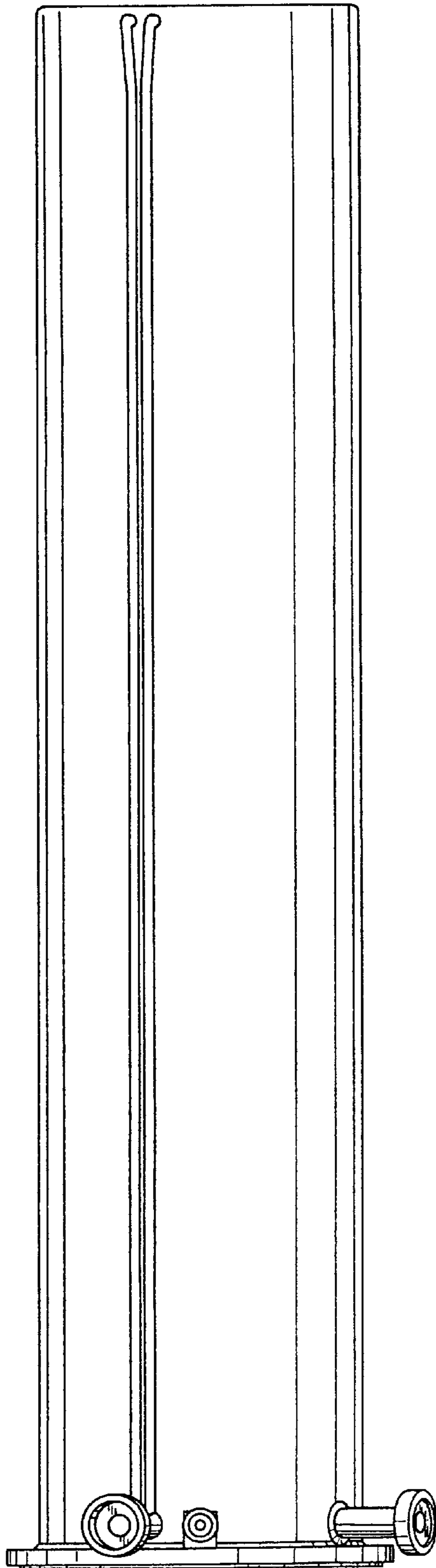


FIG. 9

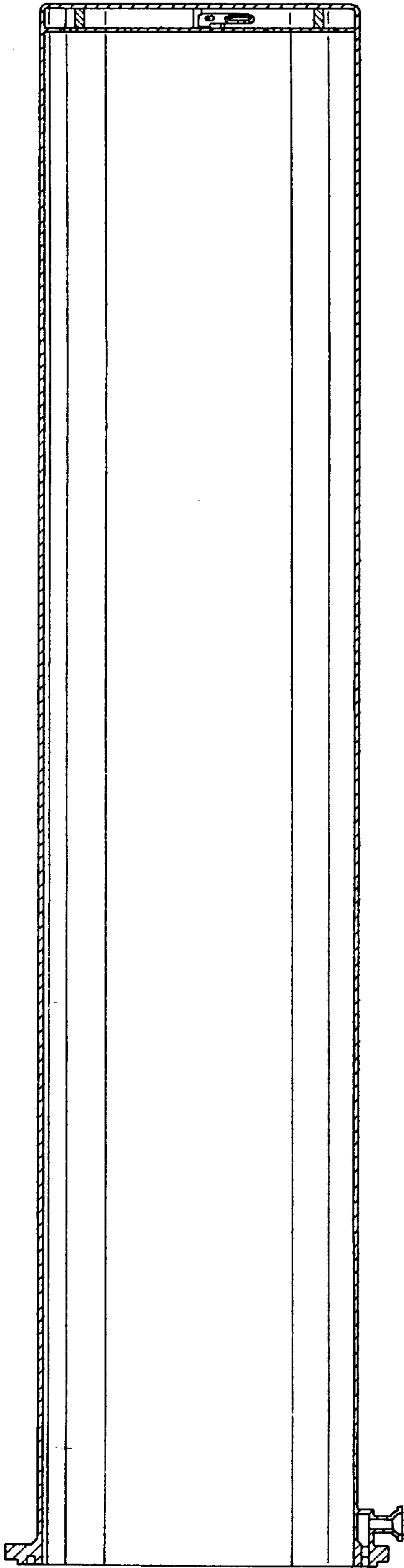


FIG. 10

