



US00D423461S

United States Patent [19]
Layton, Jr.

[11] **Patent Number: Des. 423,461**

[45] **Date of Patent: ** Apr. 25, 2000**

[54] **JUNCTION BOX**

5,057,971 10/1991 Hautvast et al. 174/65 R

[75] Inventor: **Russell K. Layton, Jr.**, Menlo Park, Calif.

Primary Examiner—Joel Sincavage
Attorney, Agent, or Firm—Wagner, Murabito & Hao LLP

[73] Assignee: **Trimble Navigation Limited**, Sunnyvale, Calif.

[57] **CLAIM**

[**] Term: **14 Years**

I claim the ornamental design for a junction box, as shown and described.

[21] Appl. No.: **29/104,052**

DESCRIPTION

[22] Filed: **Apr. 27, 1999**

FIG. 1 is a upper left frontal perspective view of a junction box showing the present invention. The cables shown in phantom lines are included for the purpose of illustrating environmental structure only and form no part of the claimed design;

[51] **LOC (6) Cl.** **13-03**

[52] **U.S. Cl.** **D13/152**

[58] **Field of Search** D13/152, 184; D14/240; 379/383, 399, 325-330; 174/65 R

FIG. 2 is a lower rear left perspective view thereof;

FIG. 3 is a top plan view thereof;

FIG. 4 is a bottom plan view thereof;

FIG. 5 is a front elevational view thereof;

FIG. 6 is a rear elevational view thereof;

FIG. 7 is a left side elevational view thereof; and,

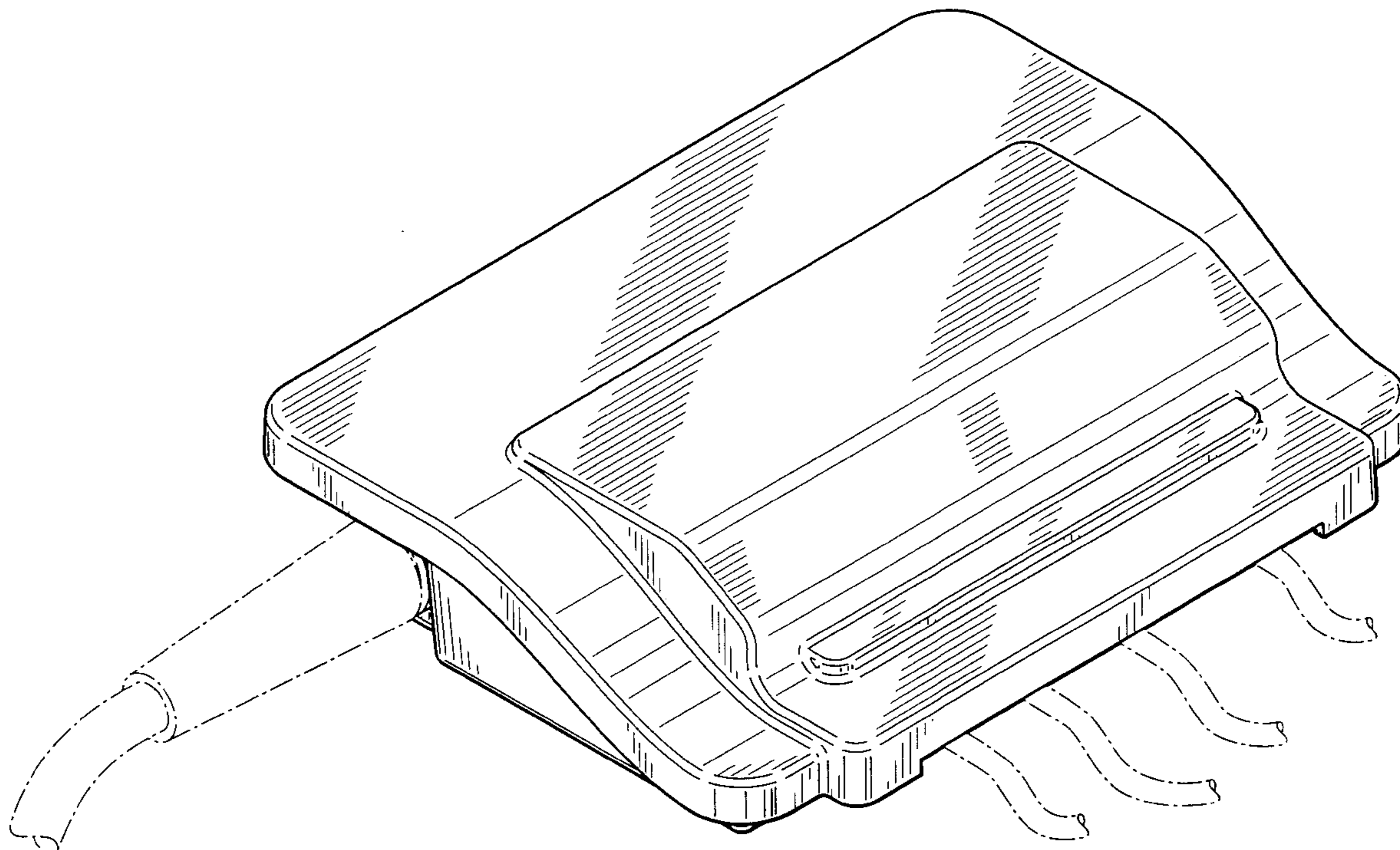
FIG. 8 is a right side elevational view thereof.

[56] **References Cited**

U.S. PATENT DOCUMENTS

D. 313,395	1/1991	Orchard et al.	D13/152
D. 324,207	2/1992	Nieves	D13/184
D. 346,386	4/1994	Brownlie et al.	D14/240
D. 367,646	3/1996	Schneider et al.	D13/152

1 Claim, 6 Drawing Sheets



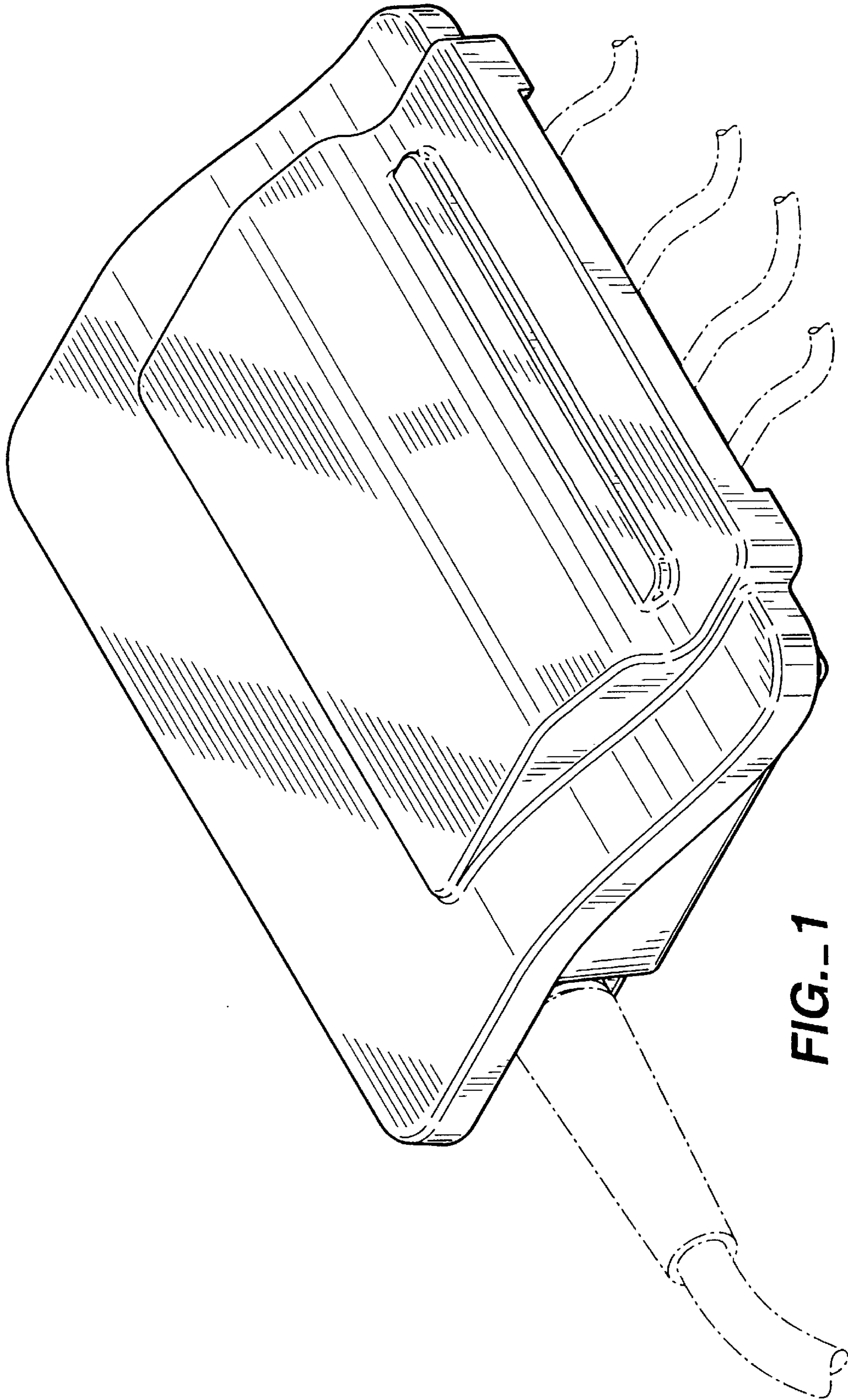


FIG.-1

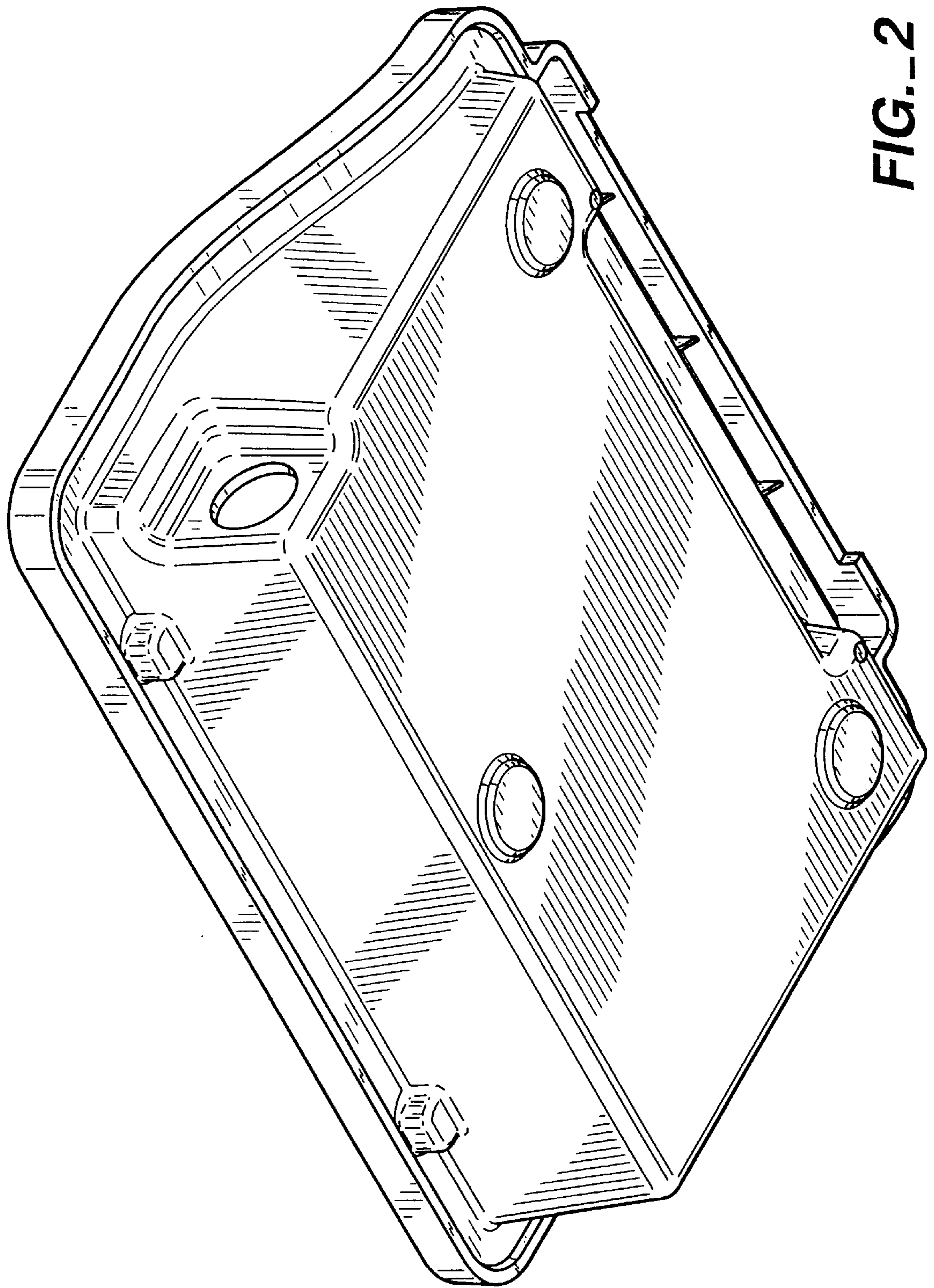


FIG.--2

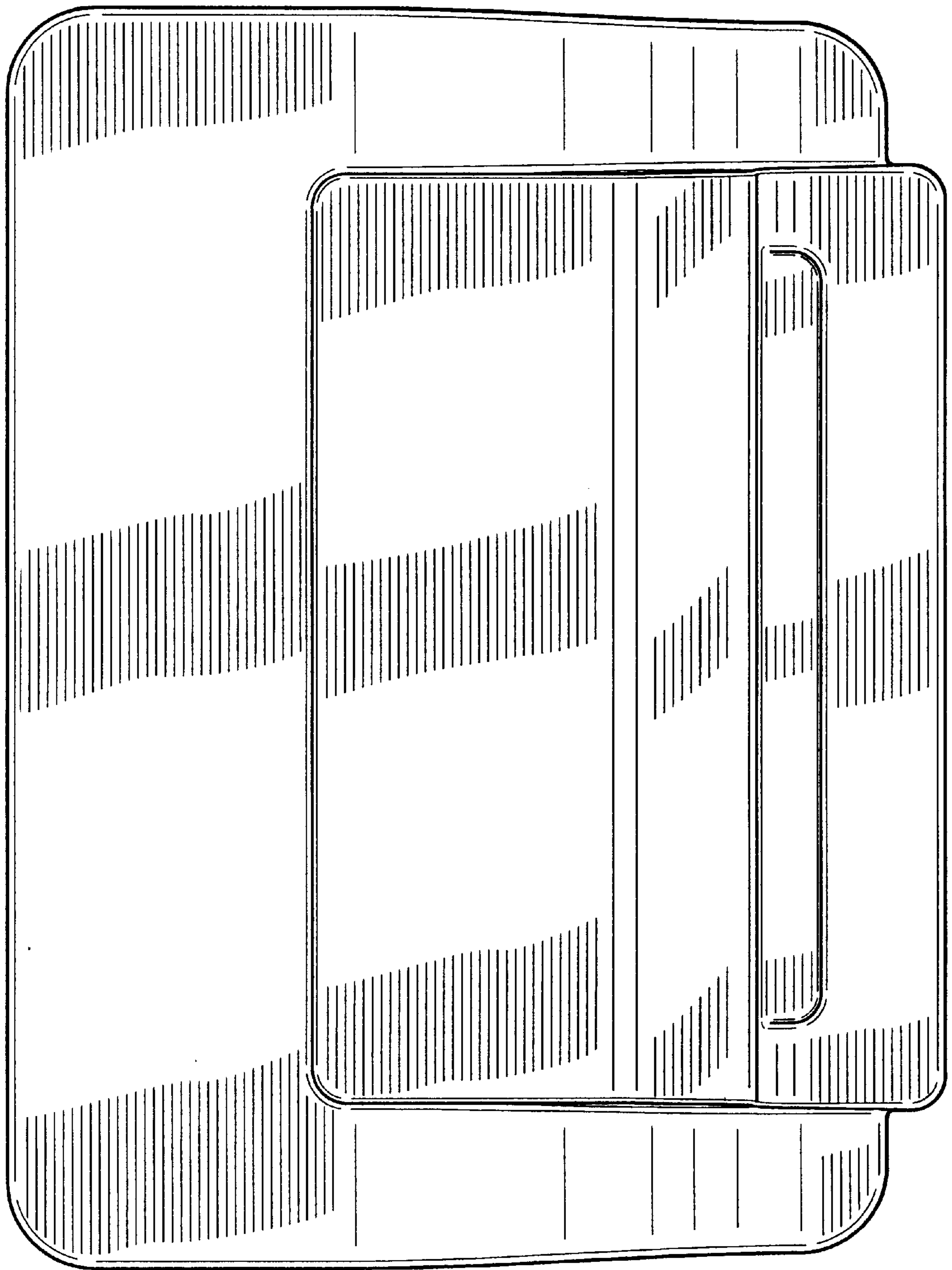


FIG. 3

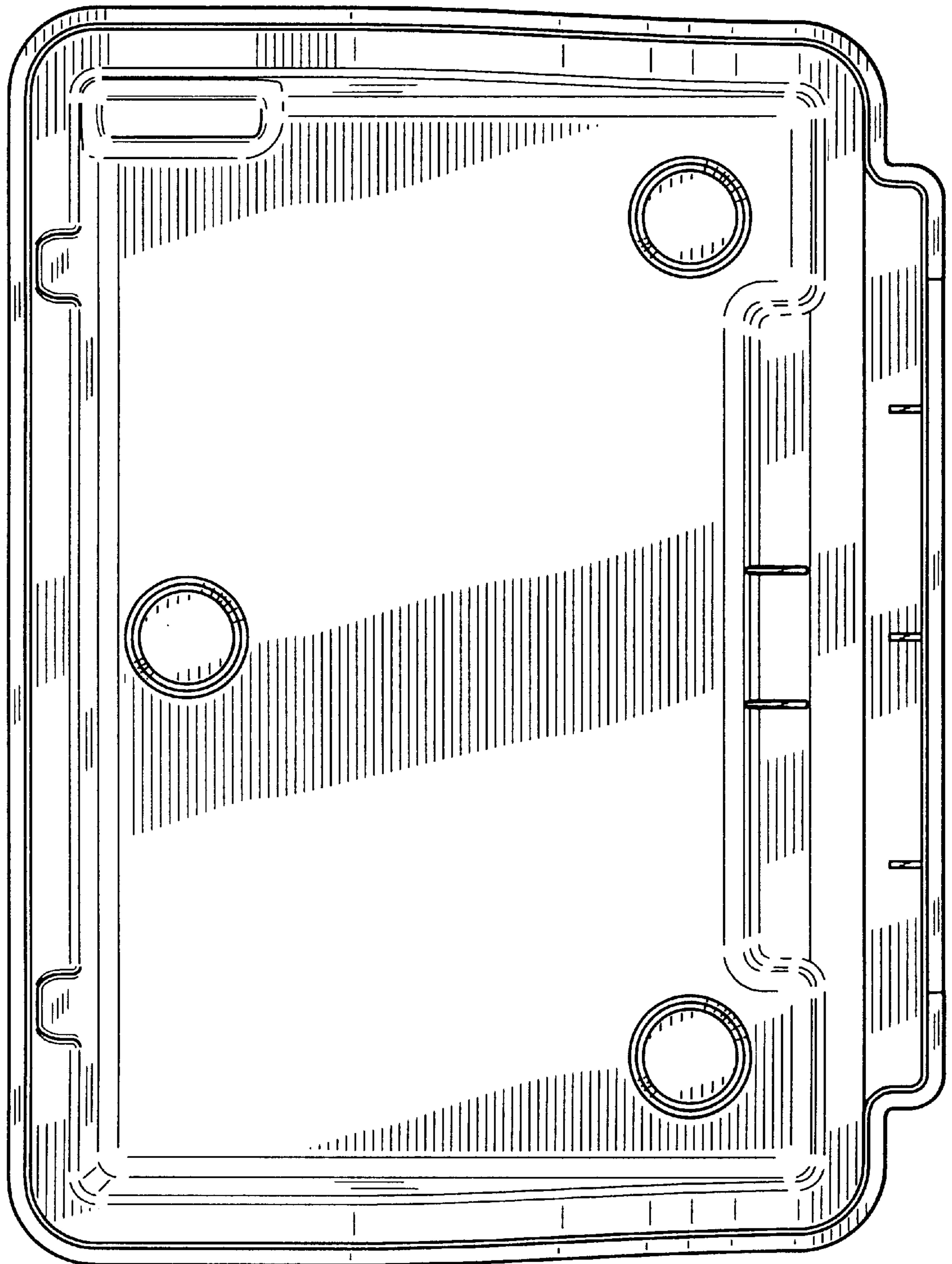


FIG. 4

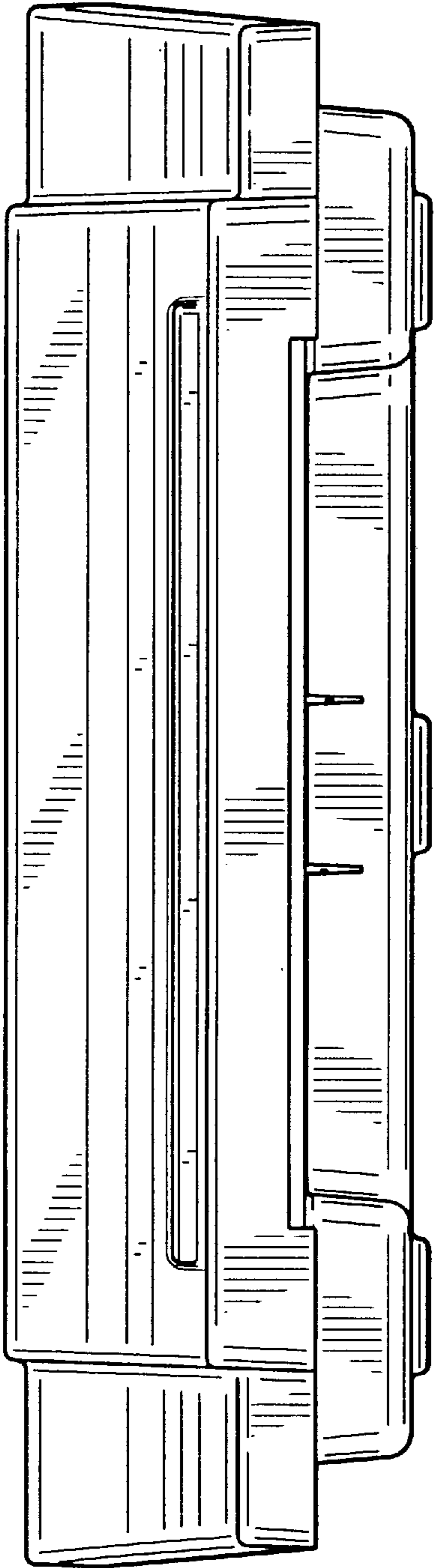


FIG. 5

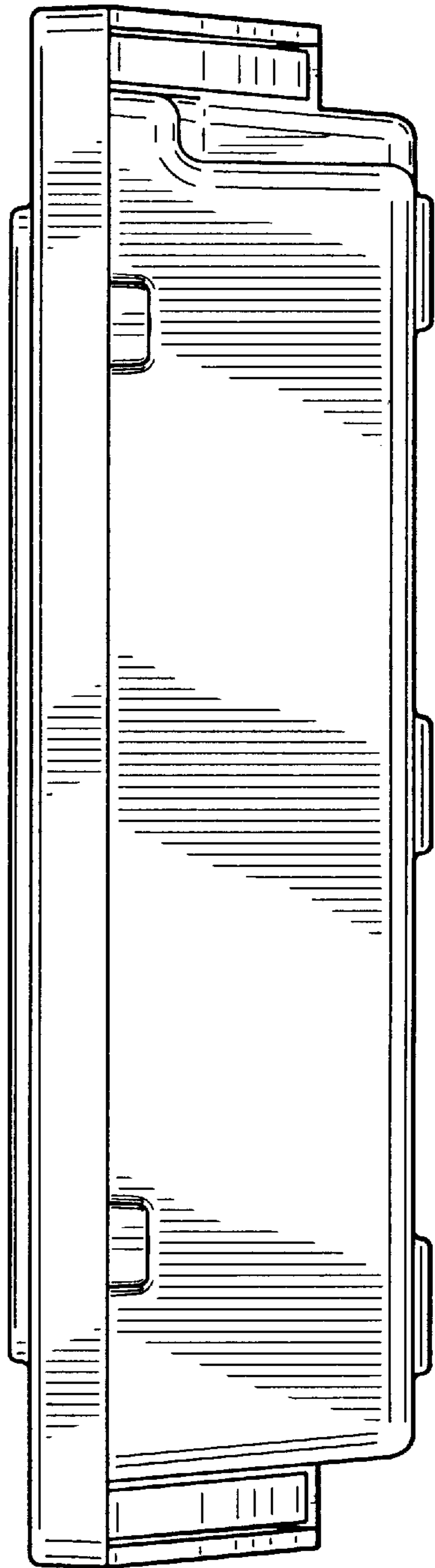


FIG. 6

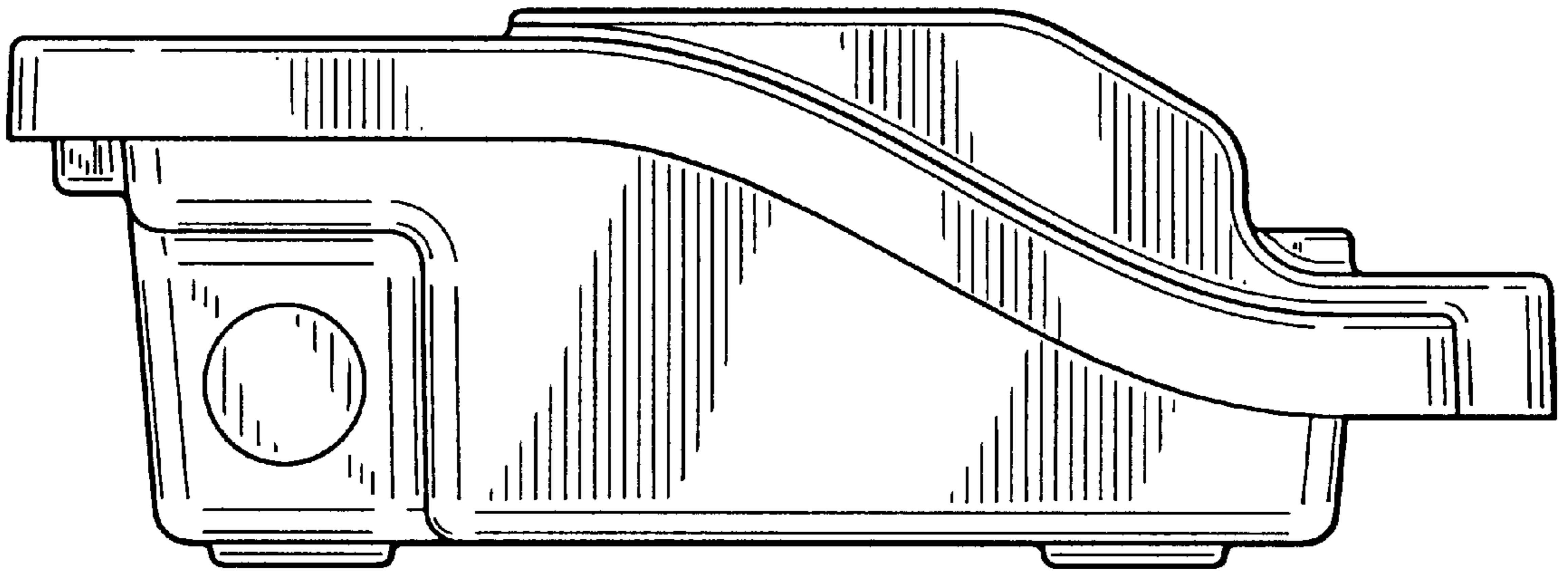


FIG._7

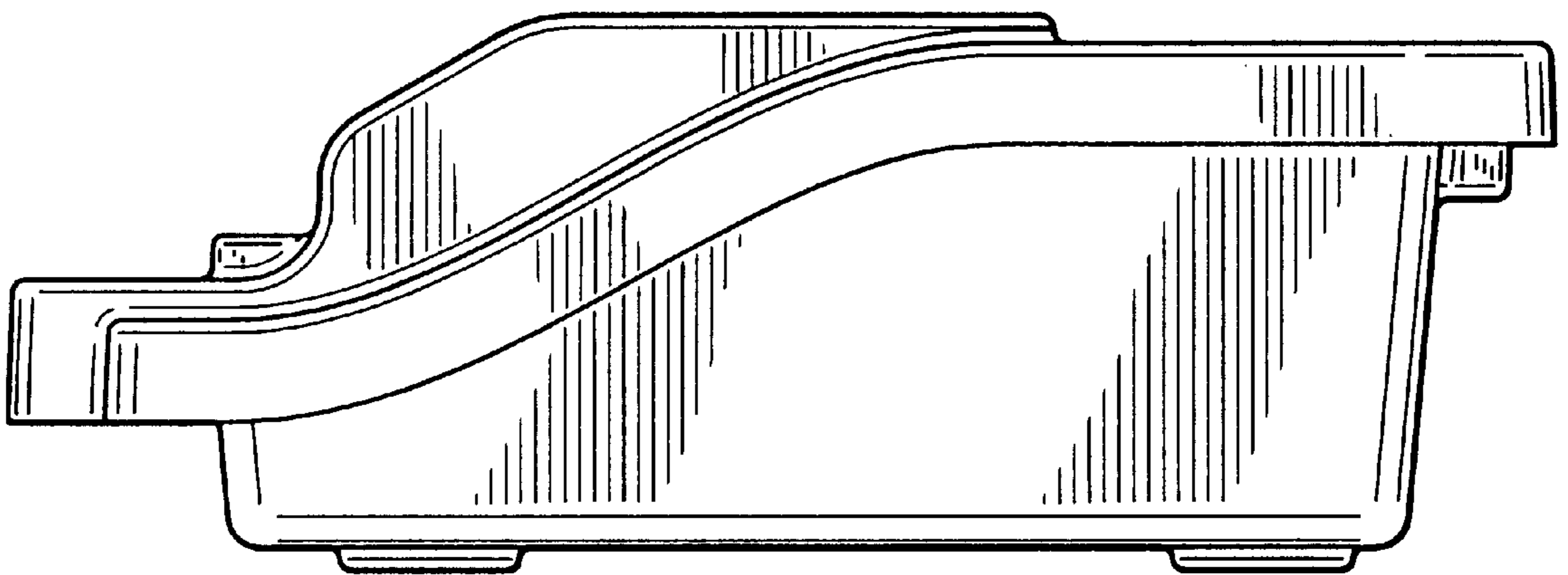


FIG._8