



US00D423458S

United States Patent [19] Poirier

[11] **Patent Number: Des. 423,458**

[45] **Date of Patent: ** Apr. 25, 2000**

[54] **TERMINAL BLOCK**

[75] Inventor: **Carole Poirier**, Dorval, Canada
[73] Assignee: **Supplié & Co. Import/Export, Inc.**,
Canada
[**] Term: **14 Years**

[21] Appl. No.: **29/097,012**
[22] Filed: **Nov. 25, 1998**

[51] **LOC (6) Cl.** **13-03**
[52] **U.S. Cl.** **D13/149**
[58] **Field of Search** 361/823; 439/625,
439/709, 711, 721, 723, 783, 813, 863,
922, 724

[56] **References Cited**

U.S. PATENT DOCUMENTS

3,072,879	1/1963	Crowther	439/709
3,152,851	10/1964	McLaughlin	.
3,187,295	6/1965	Huska	439/724
3,530,427	9/1970	Stauder et al.	439/732 X
4,162,819	7/1979	Eisert	439/711
4,478,478	10/1984	Durand et al.	439/723
4,759,726	7/1988	Naylor et al.	.
5,292,263	3/1994	Mosser et al.	439/812
5,348,496	9/1994	Ludwig	.
5,836,791	11/1998	Waas et al.	439/709

FOREIGN PATENT DOCUMENTS

335 093	10/1989	European Pat. Off.	.
25 11 444	9/1976	Germany	.
54-50992	4/1979	Japan	.
1-130480	5/1989	Japan	.
751675	7/1956	United Kingdom	.

Primary Examiner—Joel Sincavage
Attorney, Agent, or Firm—Quarles & Brady

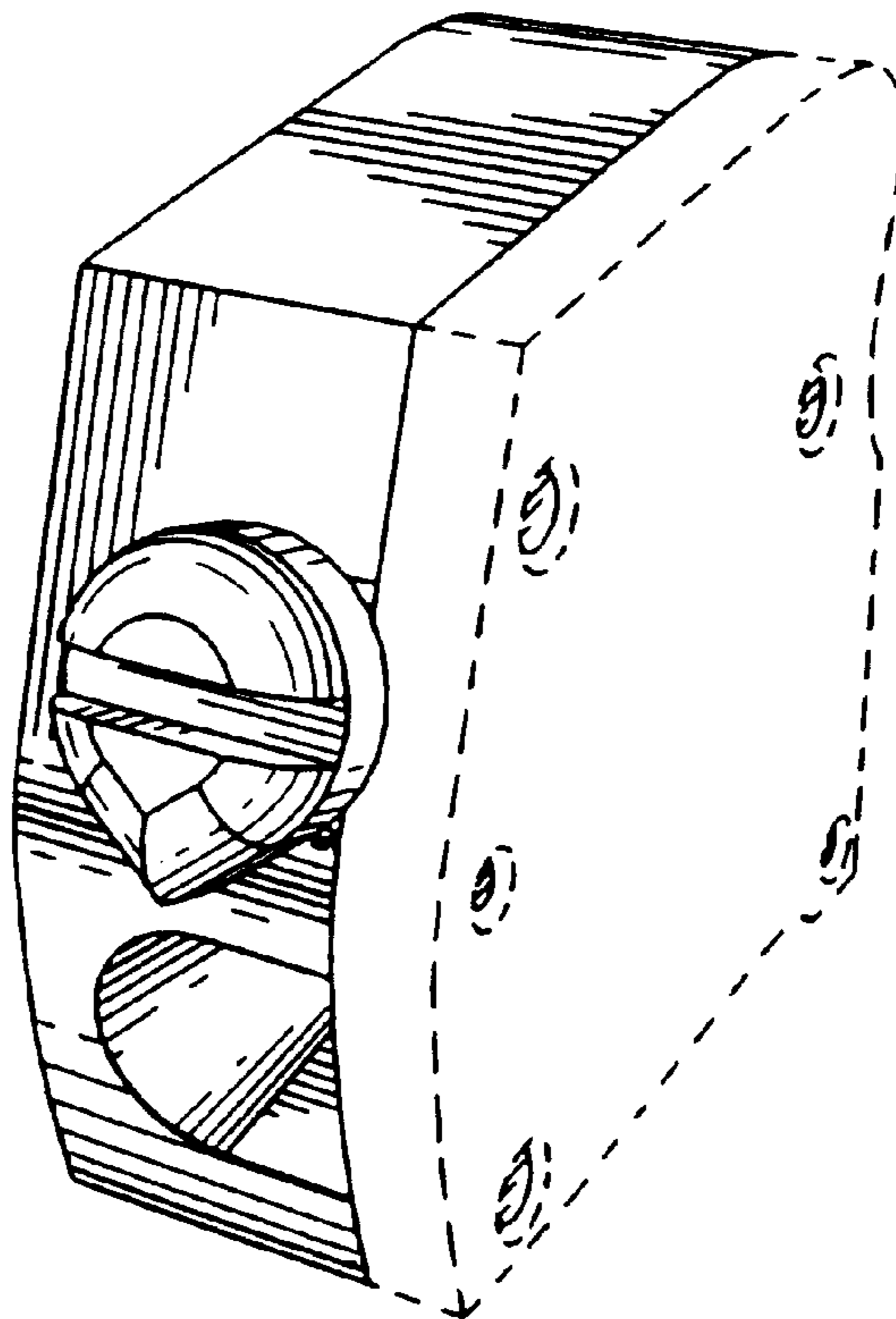
[57] **CLAIM**

The ornamental design for a terminal block, as shown and described.

DESCRIPTION

FIG. 1 is a perspective view of the terminal block showing my new design;
FIG. 2 is a front elevational view thereof;
FIG. 3 is a left side view thereof;
FIG. 4 is a right side view thereof;
FIG. 5 is a top plan view thereof;
FIG. 6 is a bottom plan view thereof;
FIG. 7 is a rear elevational view thereof; and,
FIG. 8 is a perspective view of a series of terminal blocks disposed side-by-side.
The broken line showing throughout the drawings is included for the purpose of illustrating environmental structure only and forms no part of the claimed design.

1 Claim, 3 Drawing Sheets



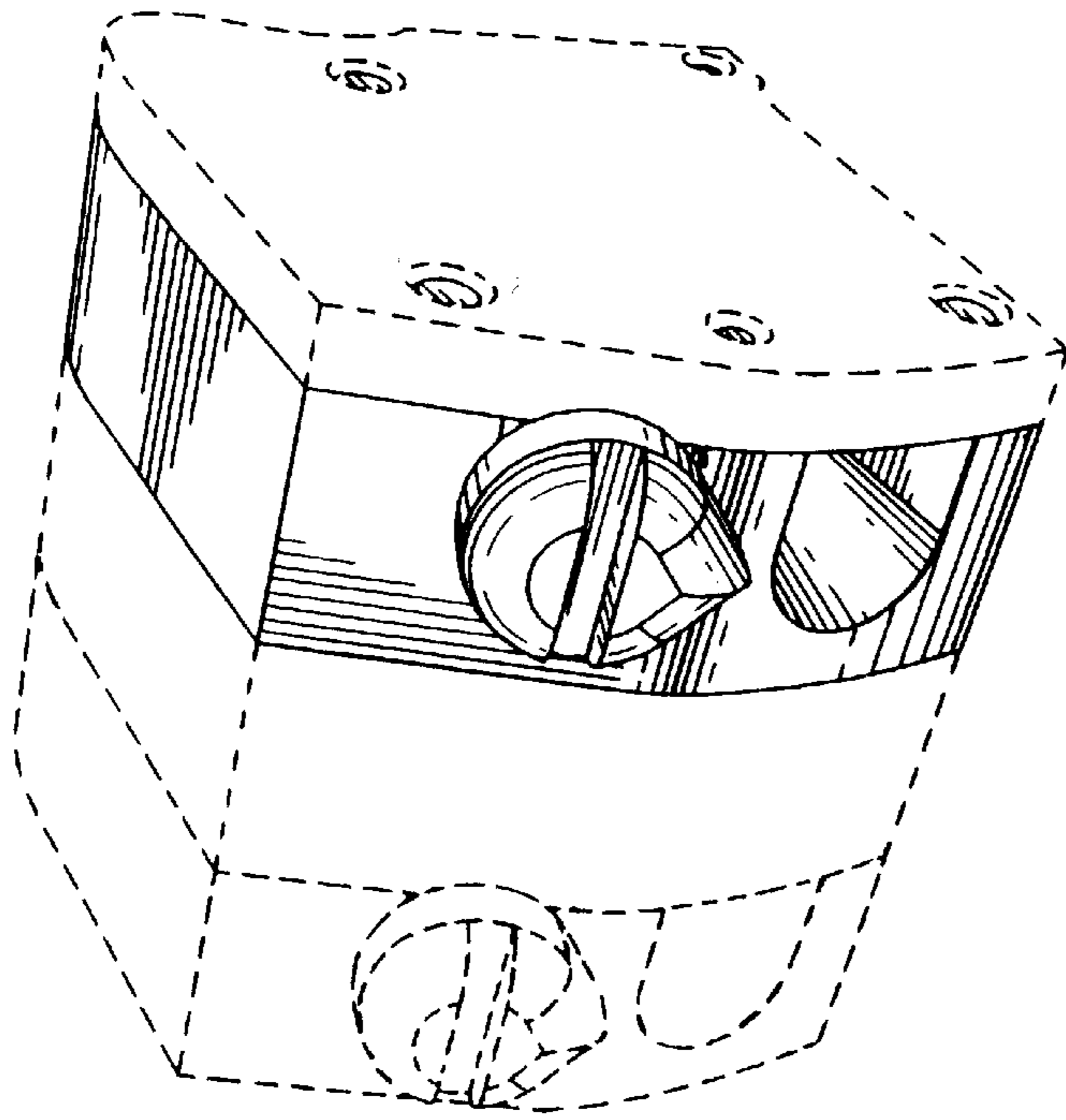


FIG. 1

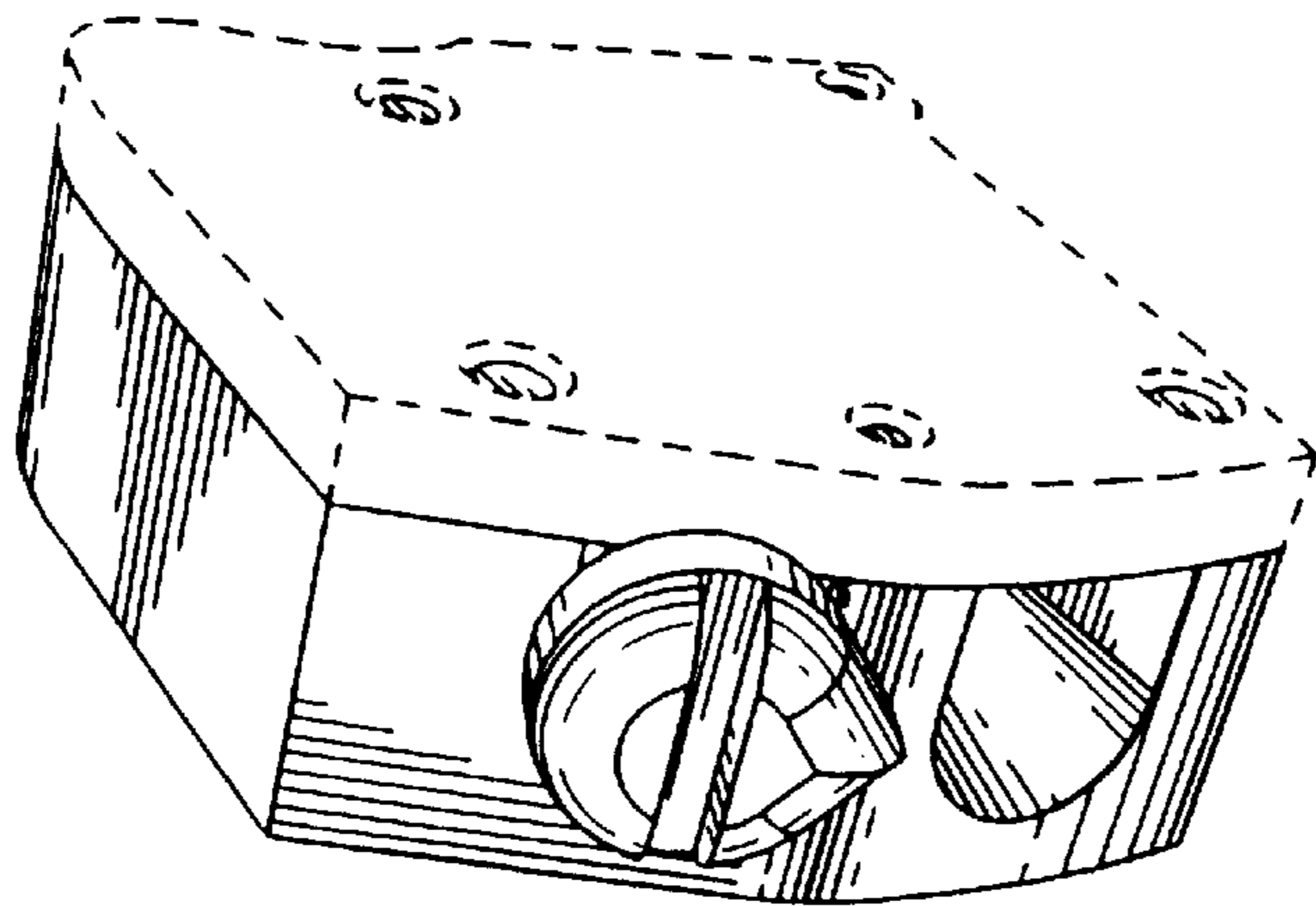


FIG. 2

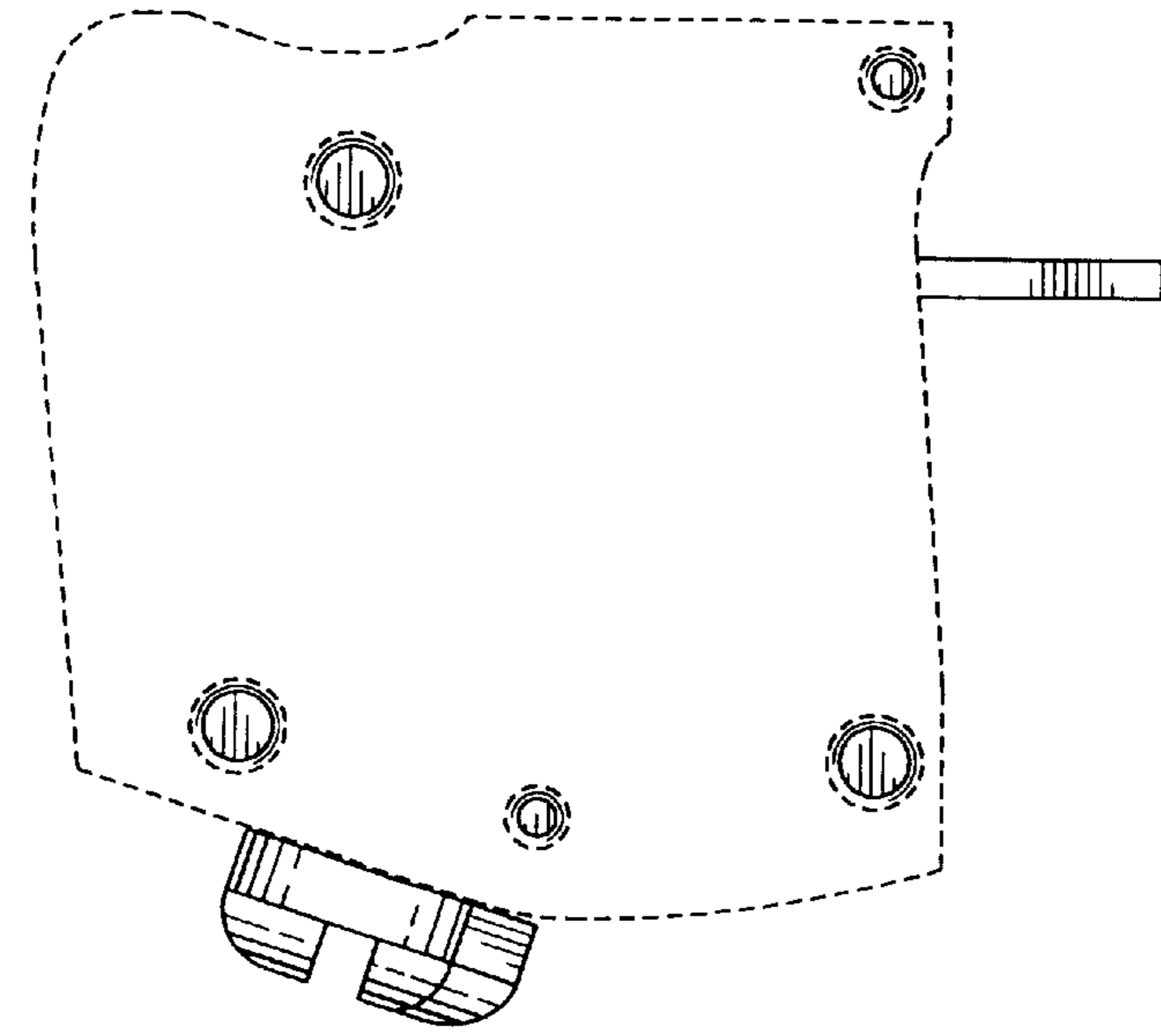


FIG. 4

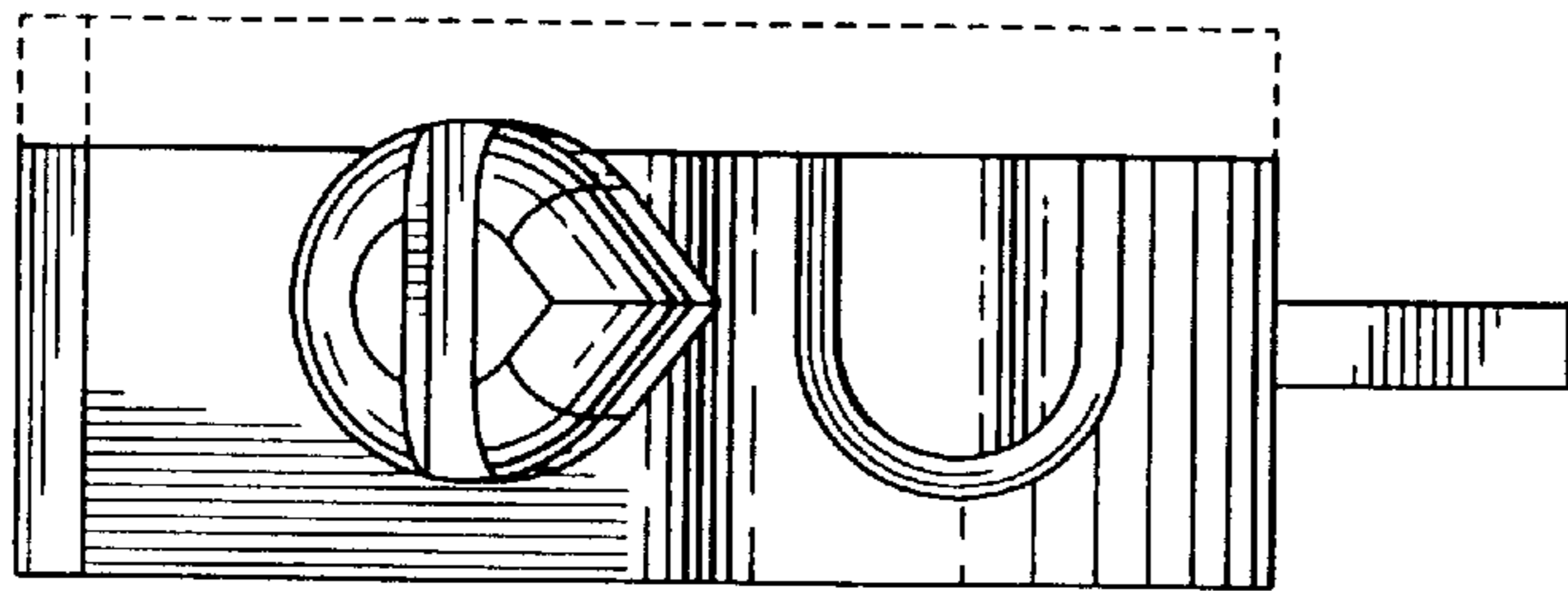


FIG. 2

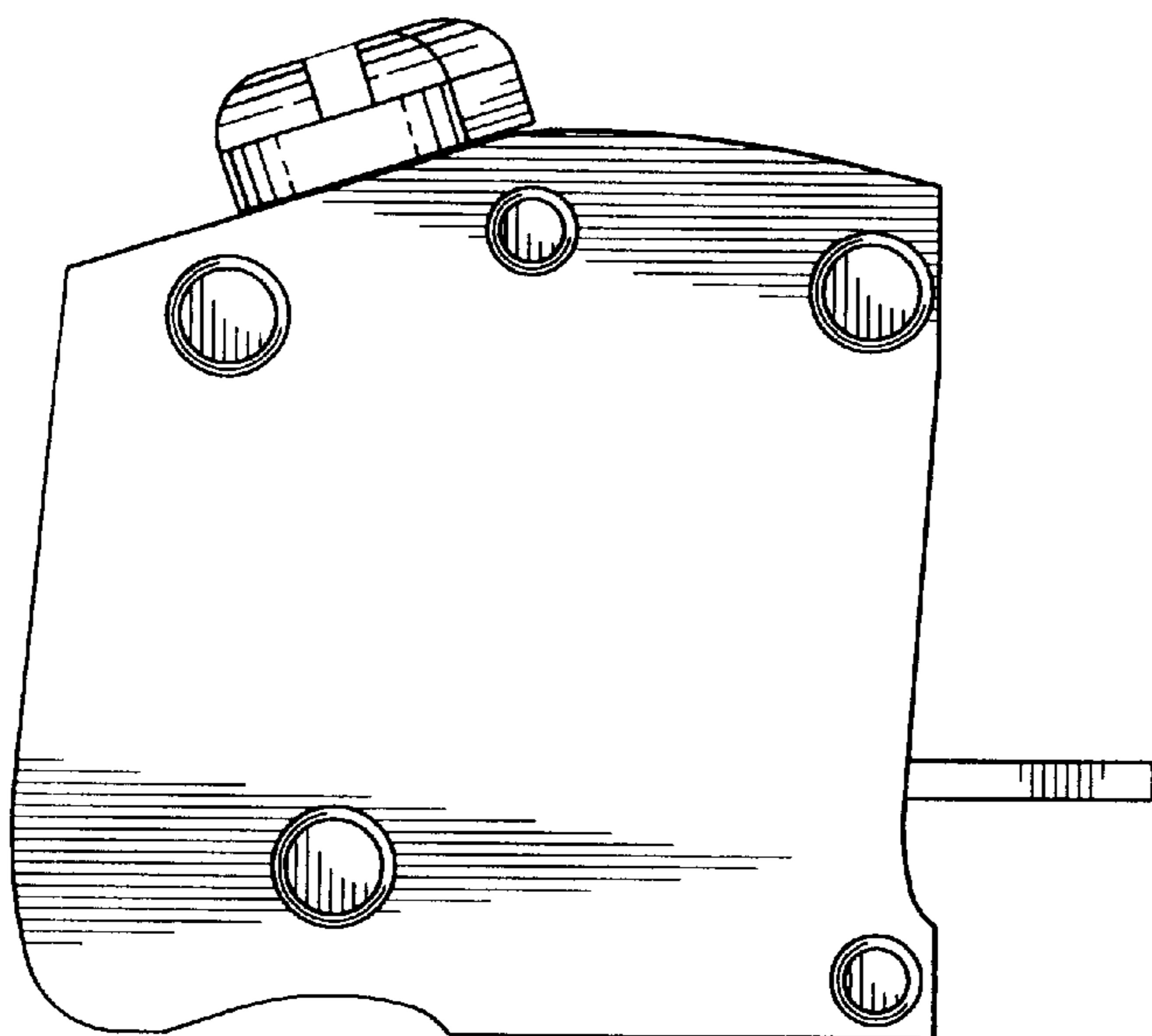


FIG. 3

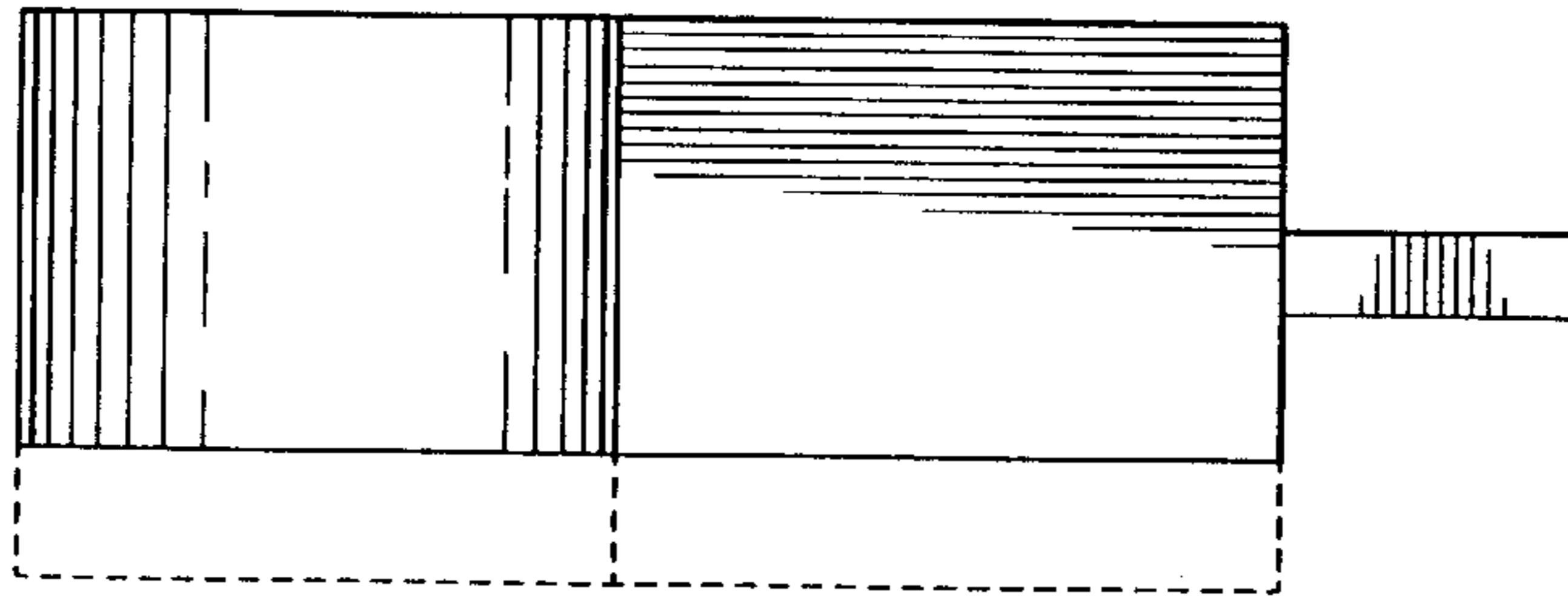


FIG. 7

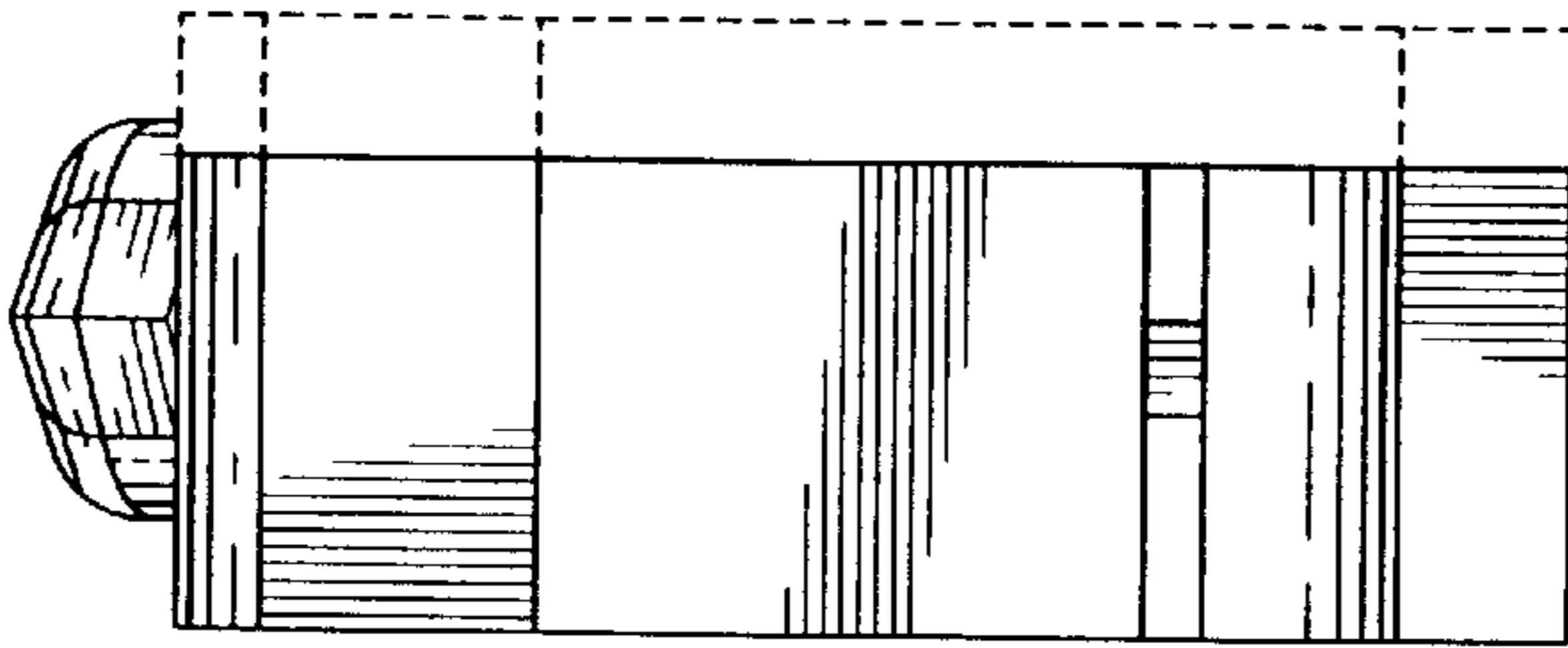


FIG. 8

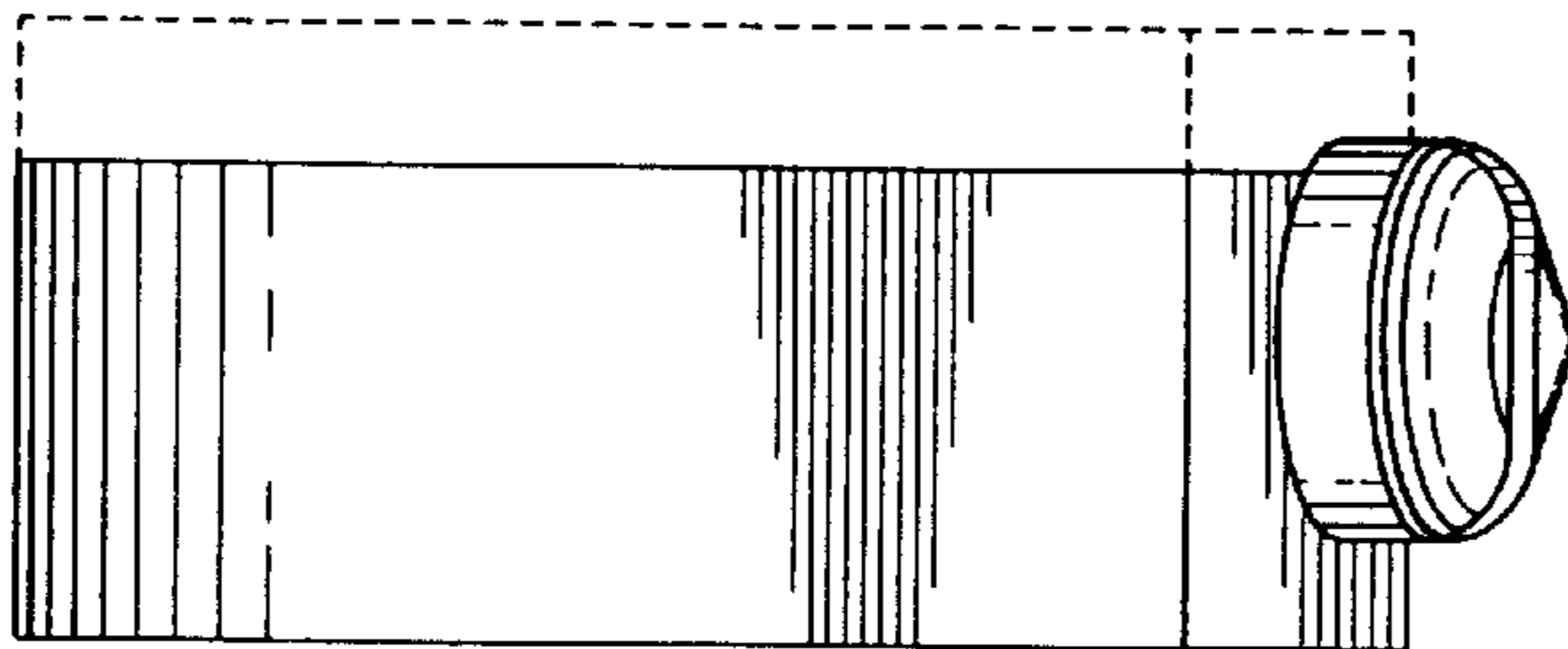


FIG. 9