



US00D423455S

# United States Patent [19]

Konno et al.

[11] Patent Number: **Des. 423,455**

[45] Date of Patent: **\*\* Apr. 25, 2000**

[54] **ELECTRIC CONNECTOR**  
[75] Inventors: **Takeshi Konno**, Ibaraki-Ken; **Yoshinori Ota**, Hitachi Naka, both of Japan

[73] Assignee: **Mitsumi Electric Co., Ltd.**, Japan

[\*\*] Term: **14 Years**

[21] Appl. No.: **29/109,235**

[22] Filed: **Aug. 11, 1999**

### [30] Foreign Application Priority Data

Mar. 26, 1999 [JP] Japan ..... 11-7584

[51] **LOC (6) Cl.** ..... **13-03**

[52] **U.S. Cl.** ..... **D13/147**

[58] **Field of Search** ..... D13/146, 147;  
439/326, 330, 331, 630; 235/441

### [56] References Cited

#### U.S. PATENT DOCUMENTS

5,470,260 11/1995 Schwan et al. .... 439/630  
5,603,629 2/1997 DeFrasne et al. .... 439/331

5,655,917 8/1997 Kaneshige et al. .... 439/155  
5,775,929 7/1998 Hashiguchi ..... 439/630 X  
5,813,878 9/1998 Kuwata et al. .... 439/331 X  
5,823,828 10/1998 Bricaud et al. .... 439/630  
5,984,707 11/1999 Kuwata ..... 439/326  
5,991,530 11/1999 Okada et al. .... 395/500.46

*Primary Examiner*—Joel Sincavage  
*Attorney, Agent, or Firm*—Morrison Law Firm

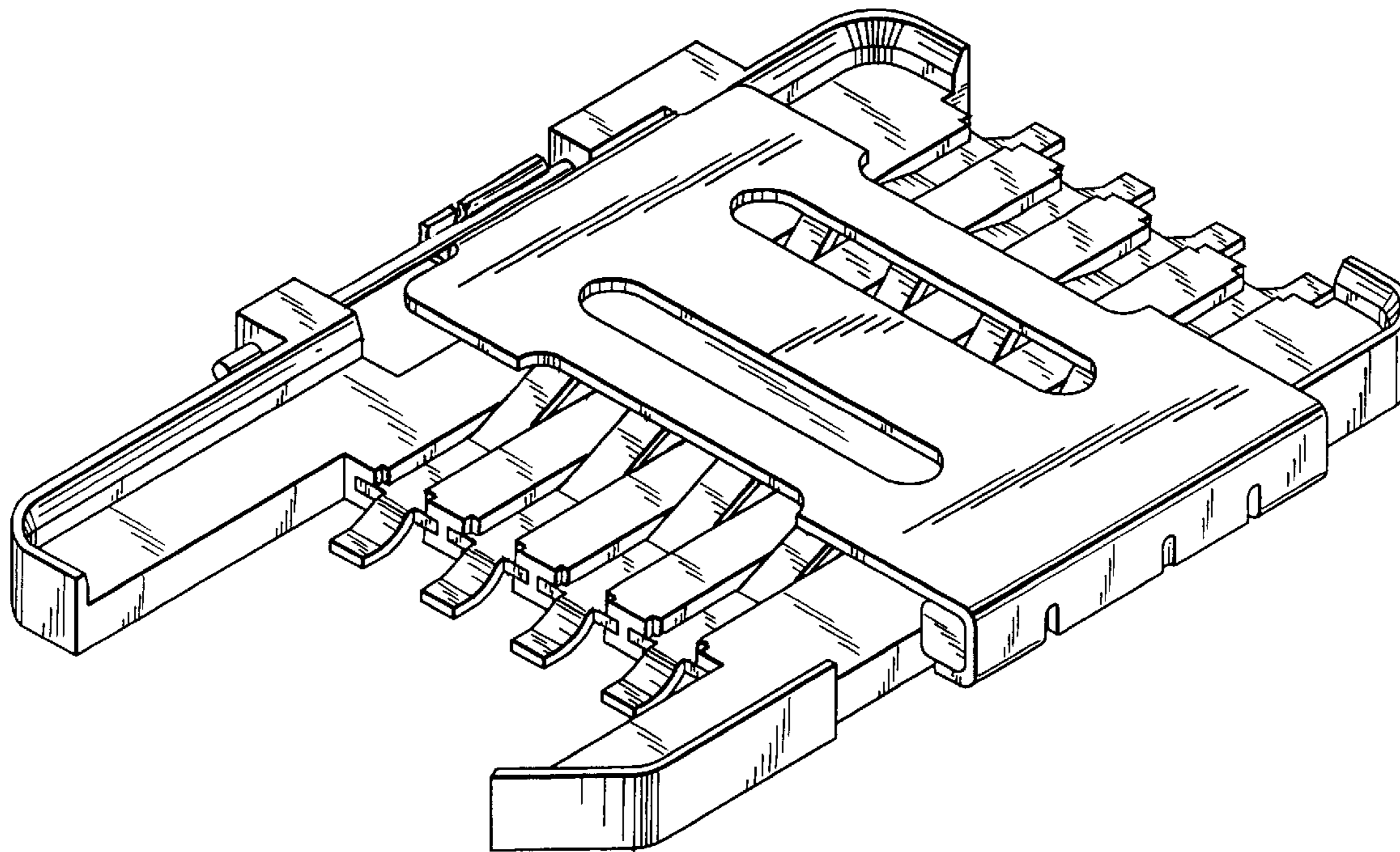
### [57] CLAIM

The ornamental design for an electric connector, as shown and described.

### DESCRIPTION

FIG. 1 is a top, front, right side perspective view of an electric connector showing our design; FIG. 2 is a plan view thereof; FIG. 3 is a front view thereof; FIG. 4 is a left side view thereof; FIG. 5 is a right side view thereof; FIG. 6 is a rear view thereof; and, FIG. 7 is a bottom view thereof.

**1 Claim, 3 Drawing Sheets**



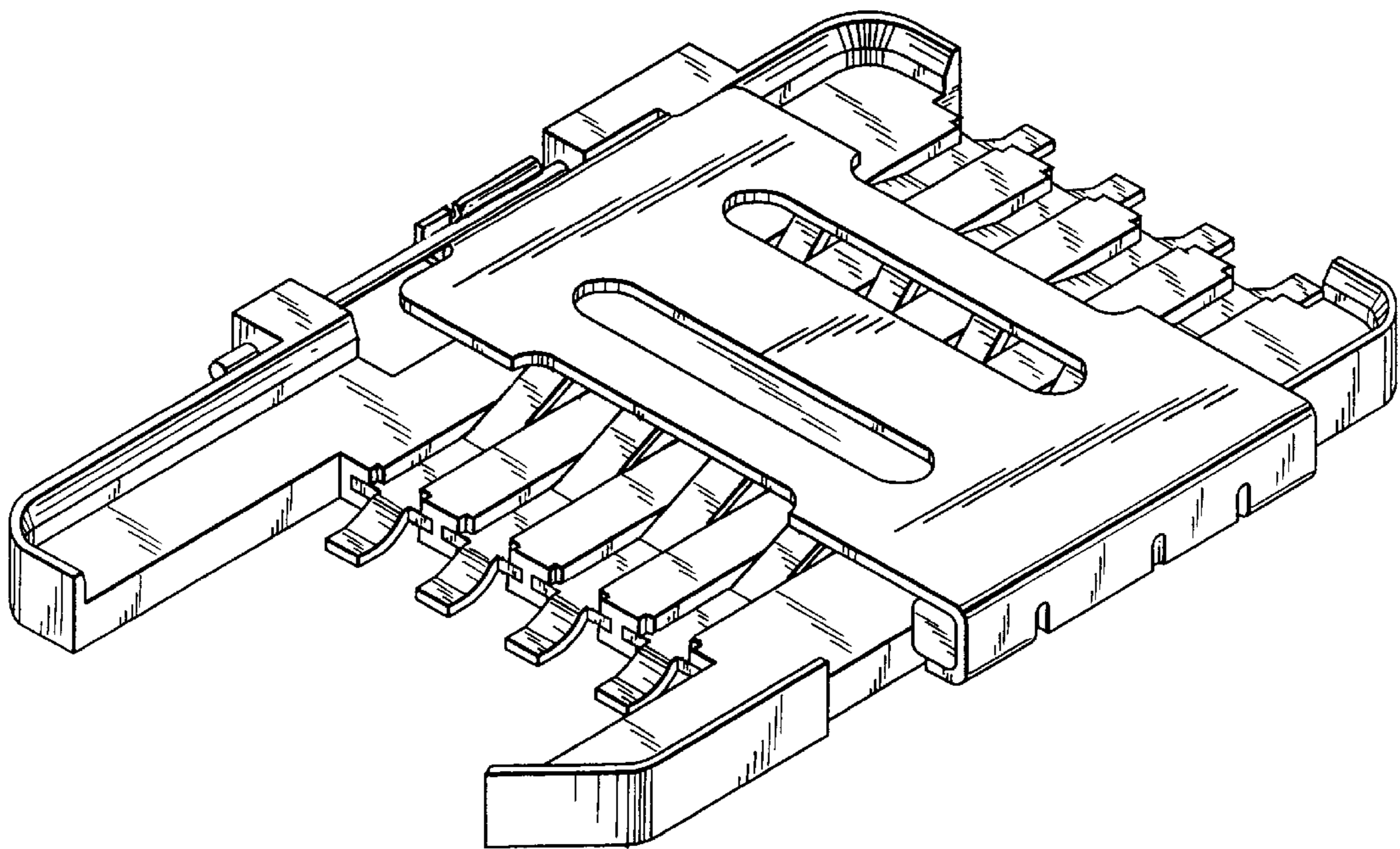


FIG. 1

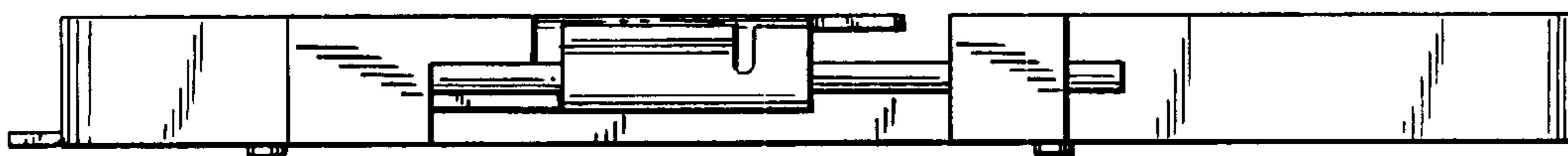
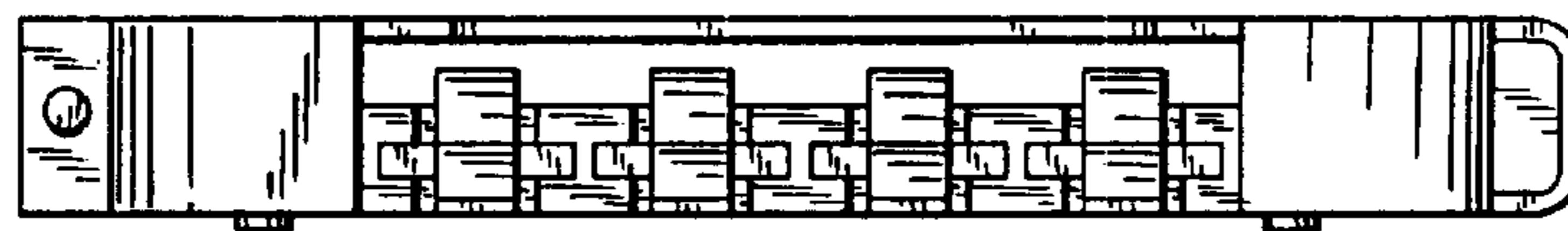
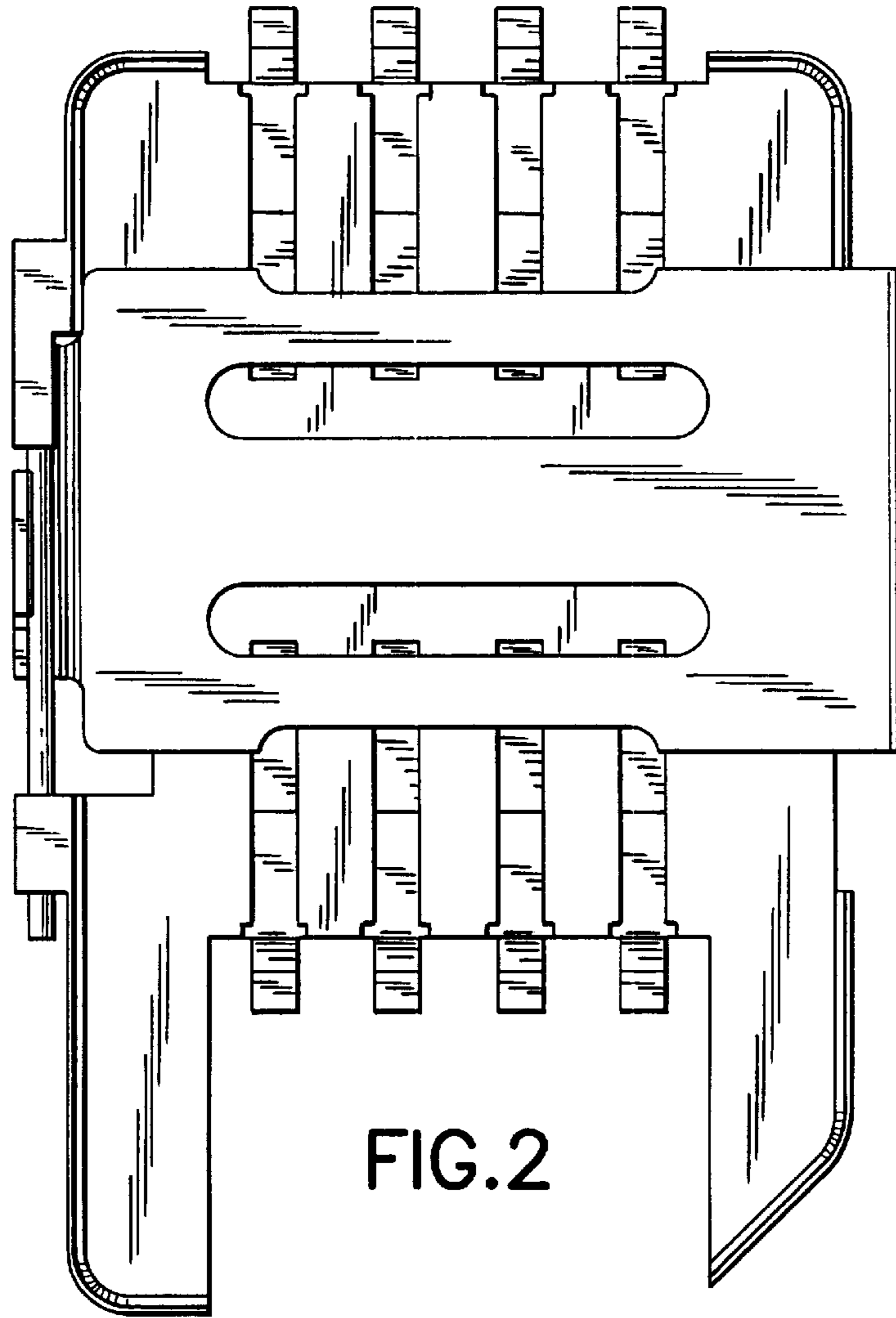


FIG. 4



FIG. 5



FIG. 6

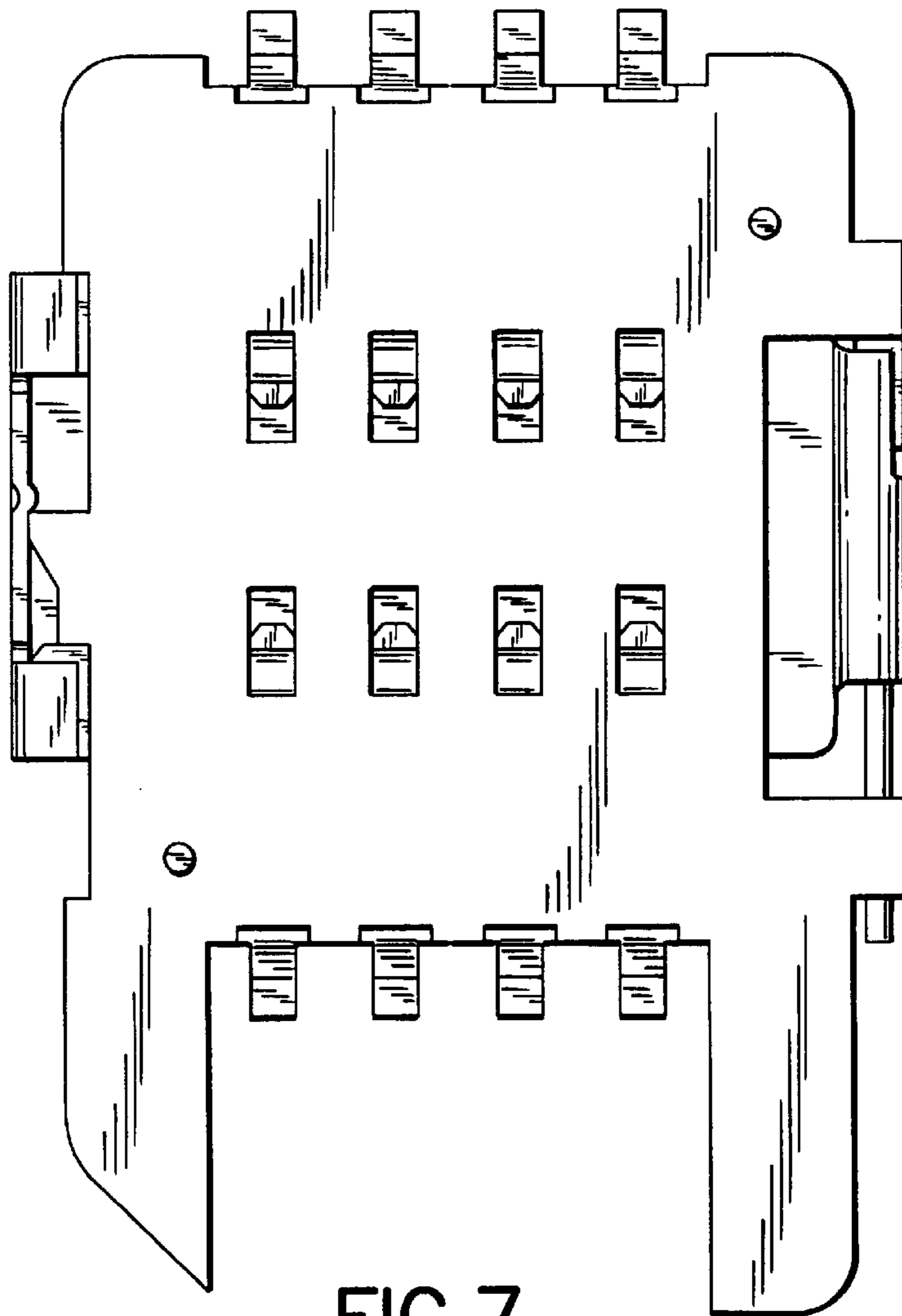


FIG. 7