



US00D423454S

United States Patent [19]
Robertson

[11] **Patent Number: Des. 423,454**

[45] **Date of Patent: ** Apr. 25, 2000**

[54] **SECONDARY ELECTRICAL DISTRIBUTION
SECONDARY BRACKET**

D. 274,616 7/1984 Essig D13/129
2,266,400 12/1941 Reed 174/154 X
4,973,798 11/1990 Parraud et al. 714/154 X

[76] Inventor: **Dale J. Robertson**, 22 Julies Walk,
Halifax Nova Scotia, Canada, B3M 2Z7

Primary Examiner—Brian N. Vinson

[**] Term: **14 Years**

[57] **CLAIM**

[21] Appl. No.: **29/081,364**

The ornamental design for a secondary electrical distribution secondary bracket, as shown and described.

[22] Filed: **Dec. 31, 1997**

DESCRIPTION

[30] **Foreign Application Priority Data**

Mar. 26, 1999 [CA] Canada 1996-0698

[51] **LOC (6) Cl.** **13-03**

[52] **U.S. Cl.** **D13/129**

[58] **Field of Search** D13/129, 130,
D13/131, 132; 174/137 R, 138 R, 138 G,
154

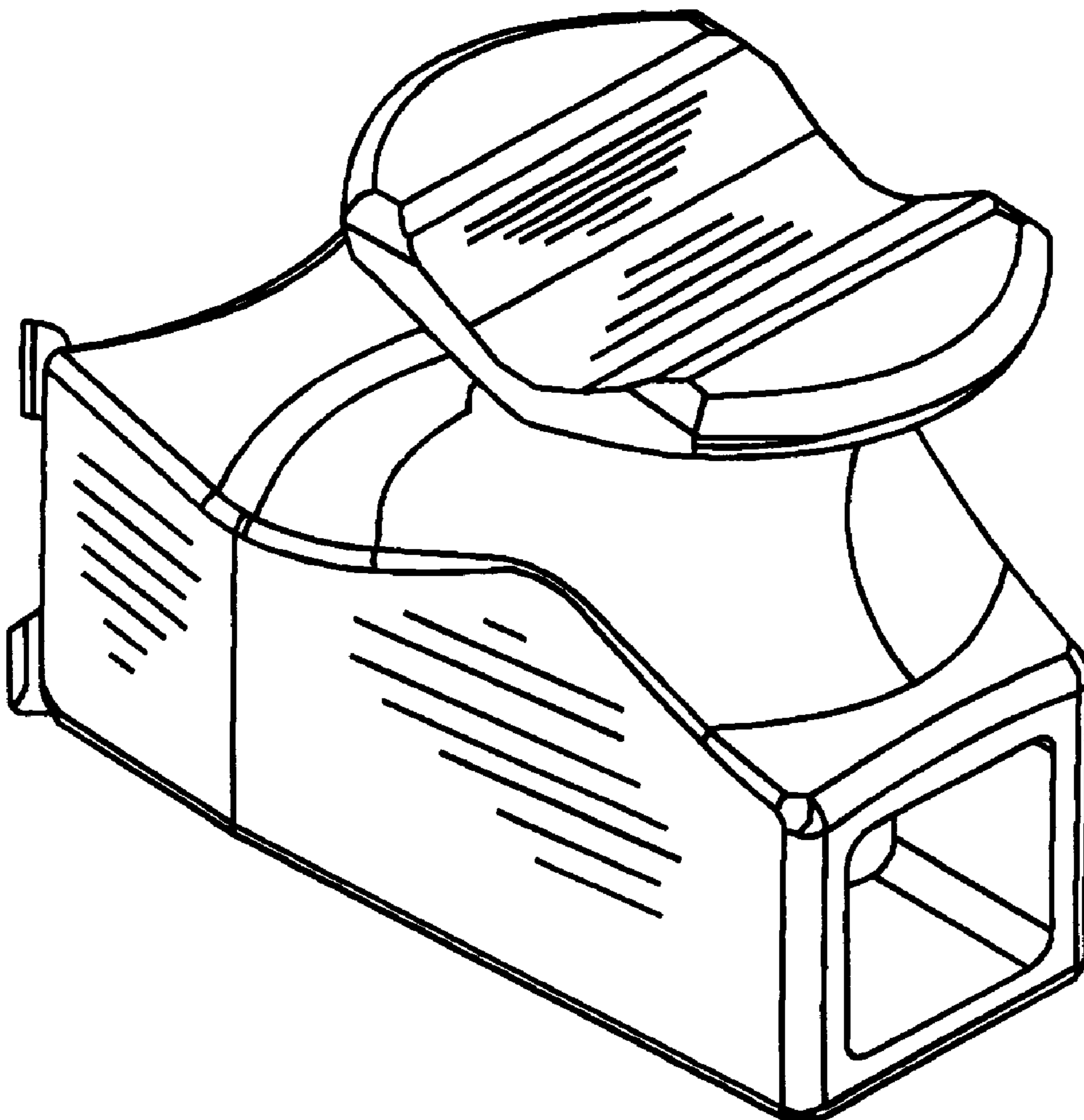
FIG. 1 is a front perspective view;
FIG. 2 is a side view showing a second embodiment;
FIG. 3 is a side view showing a second embodiment;
FIG. 4 is a top view;
FIG. 5 is a bottom view showing a second embodiment;
FIG. 6 is a bottom view;
FIG. 7 is a side perspective view;
FIG. 8 is a front perspective view showing a second embodi-
ment; and,
FIG. 9 is an end view.

[56] **References Cited**

U.S. PATENT DOCUMENTS

D. 243,342 2/1977 Langlie et al. D13/129

1 Claim, 4 Drawing Sheets



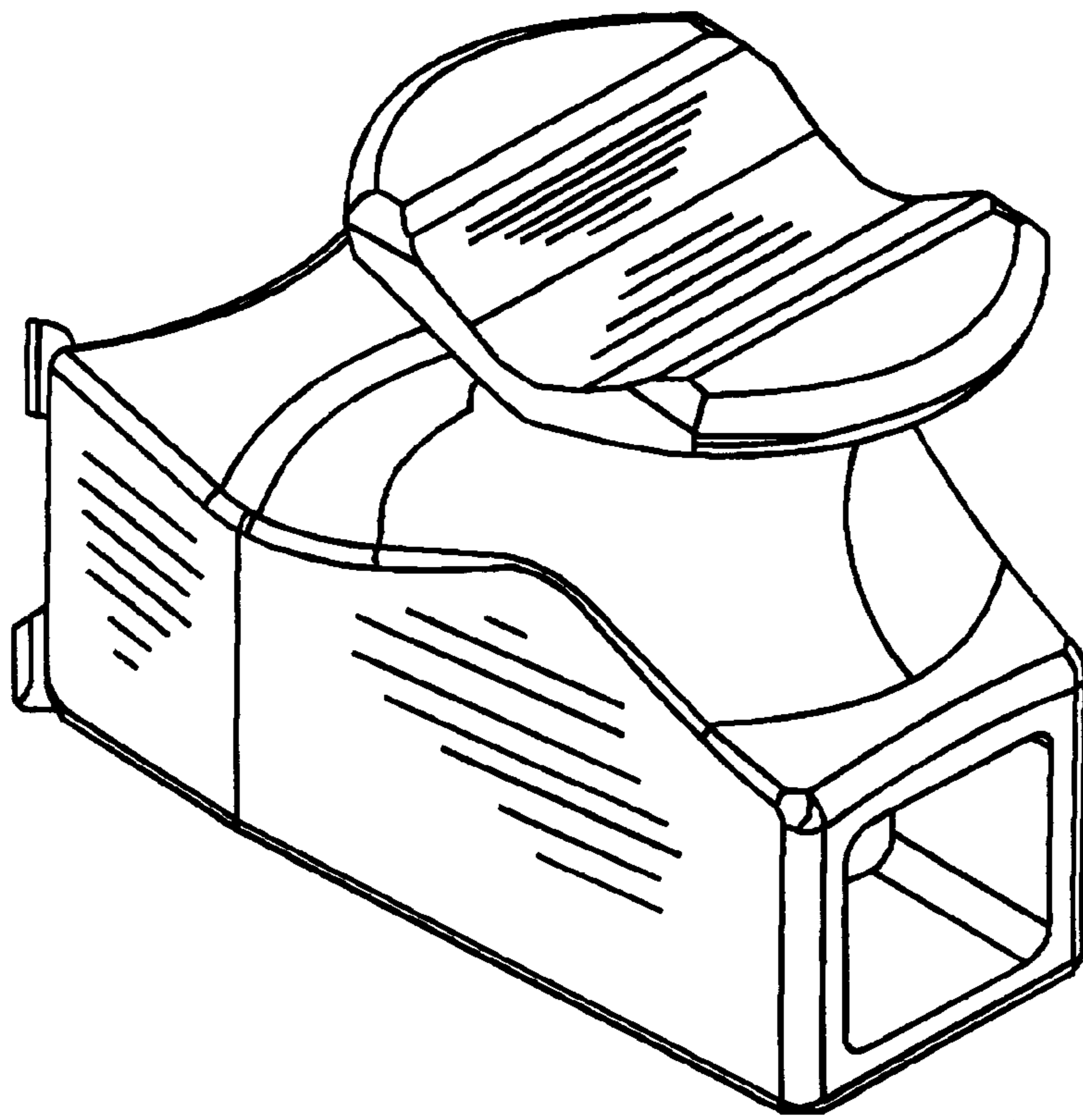


FIGURE 1

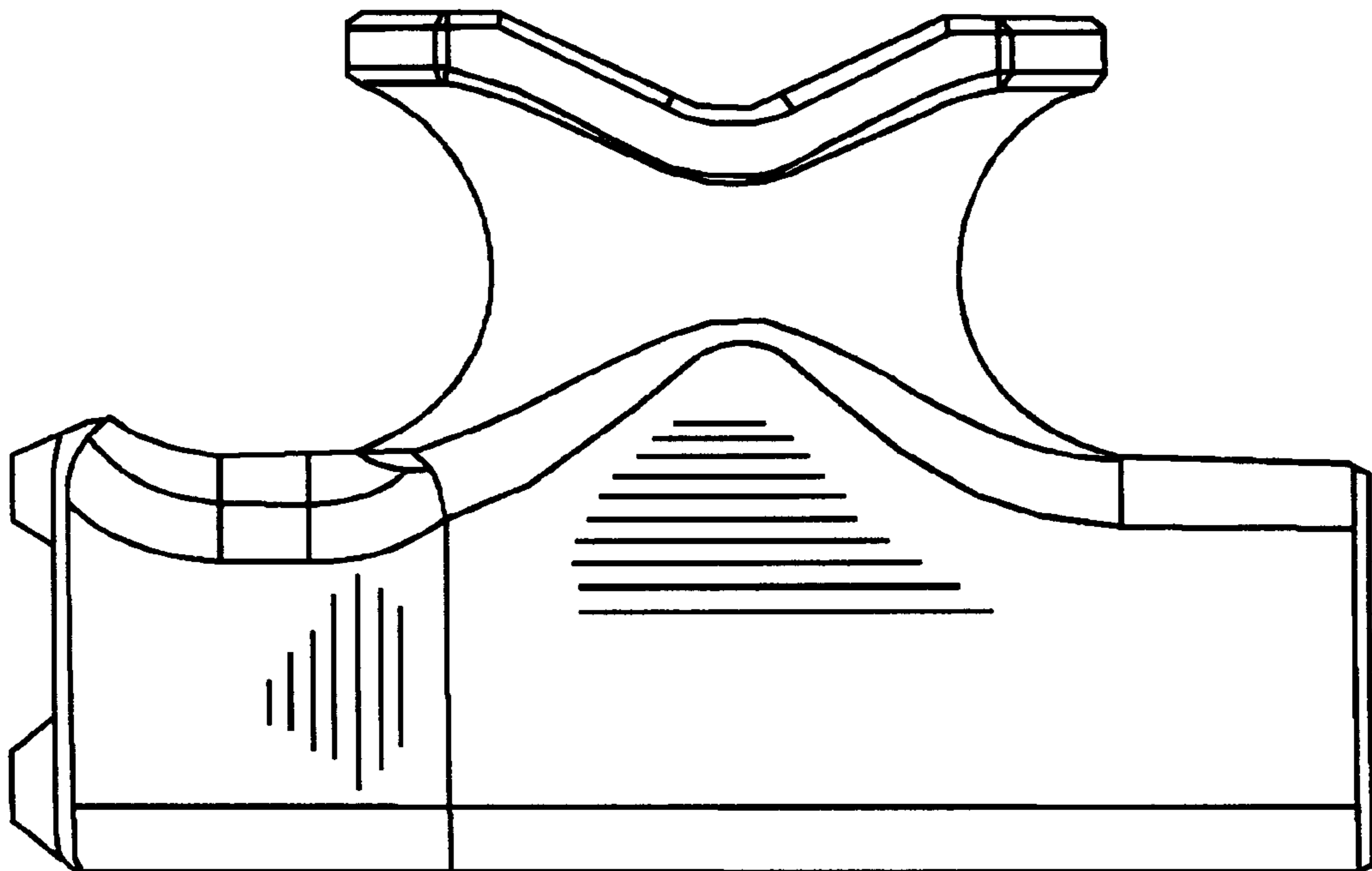


FIGURE 2

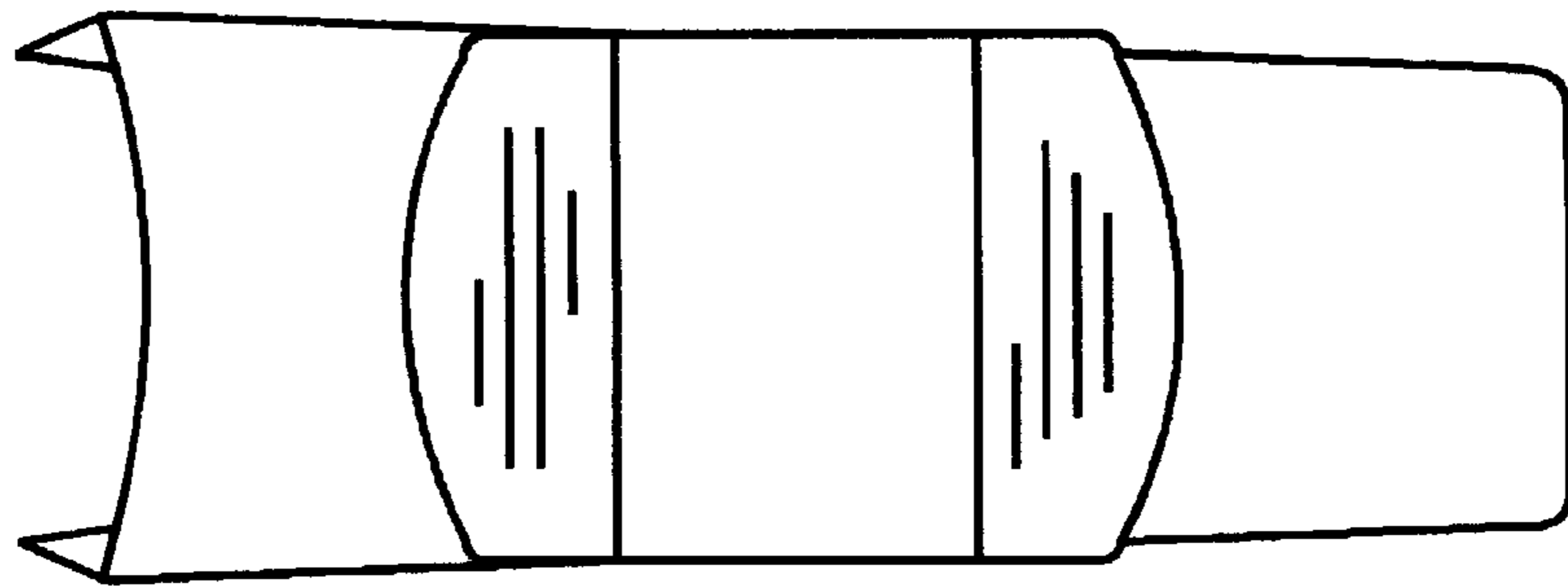


FIGURE 3

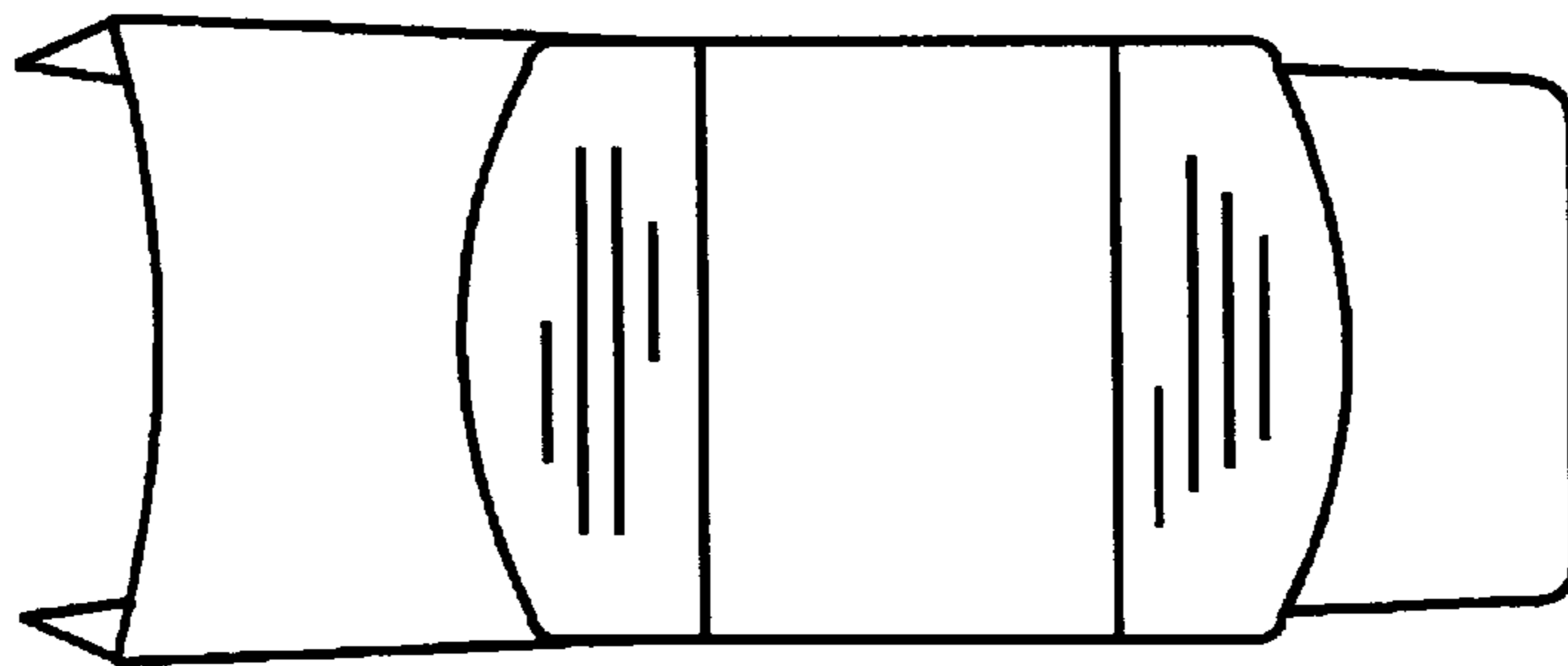


FIGURE 4

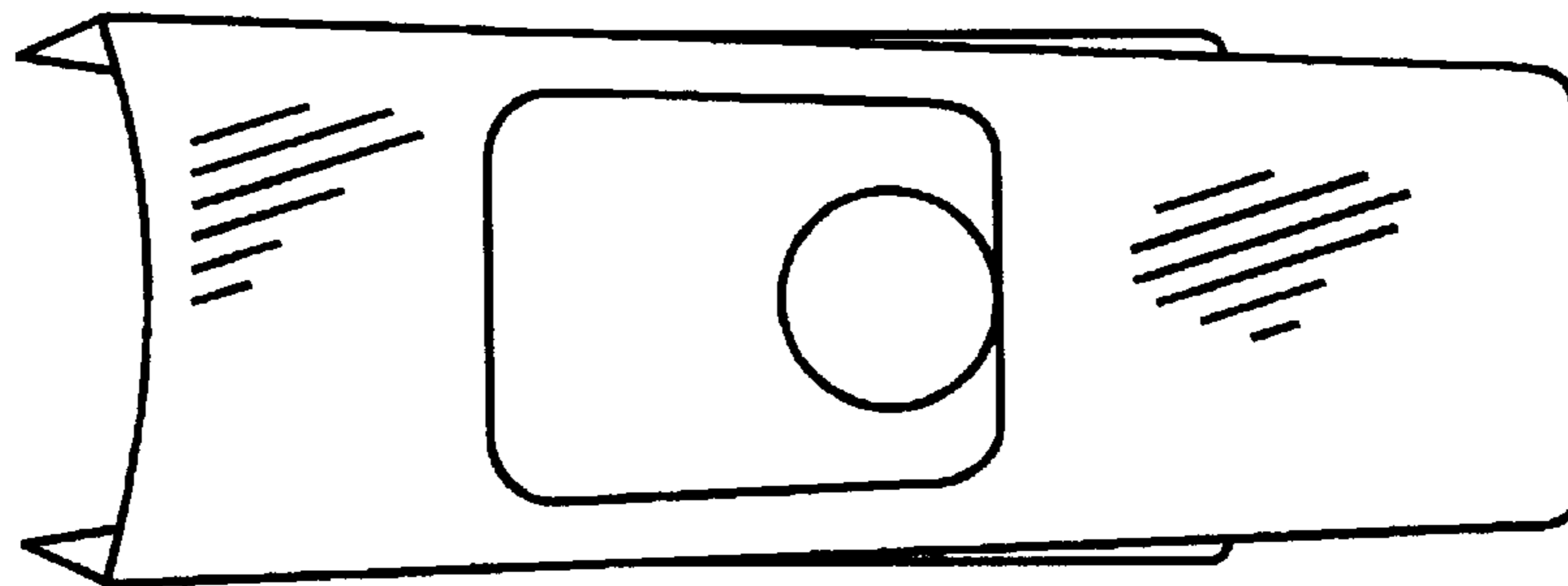


FIGURE 5

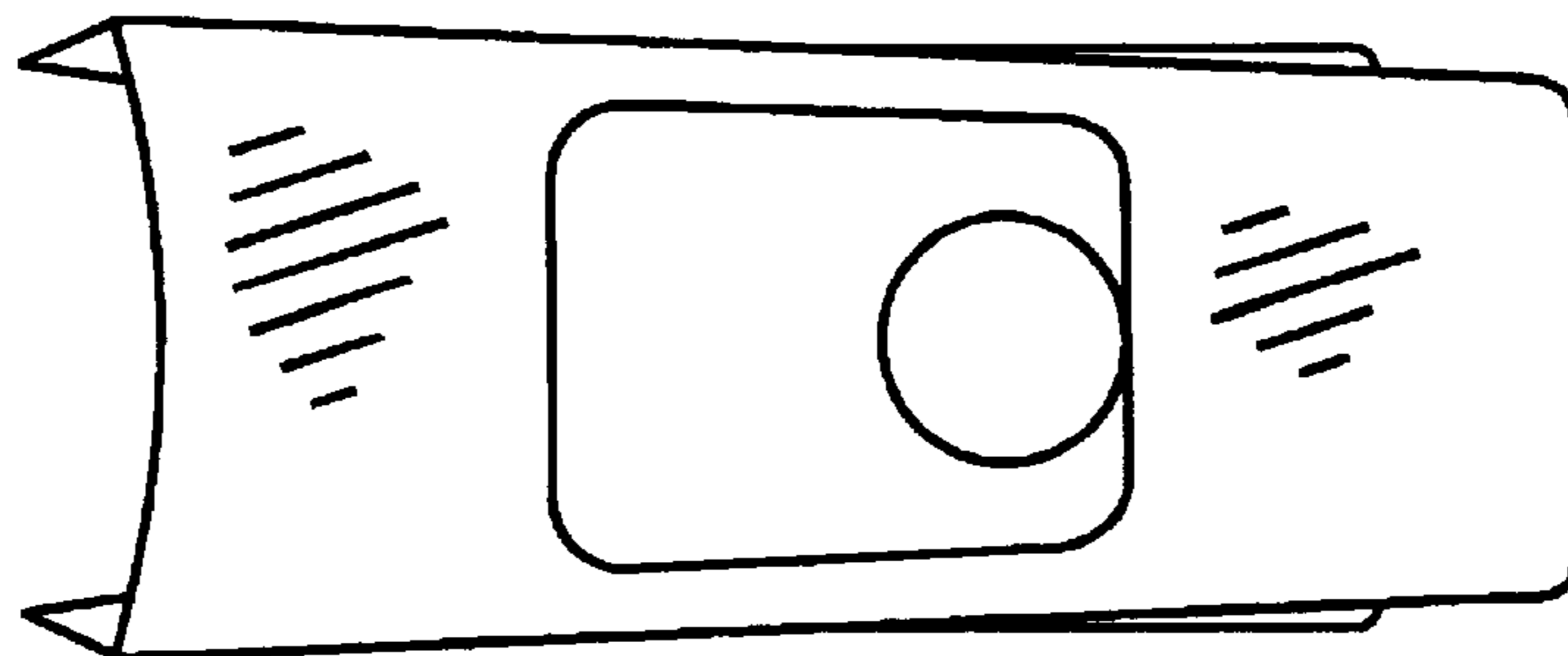


FIGURE 6

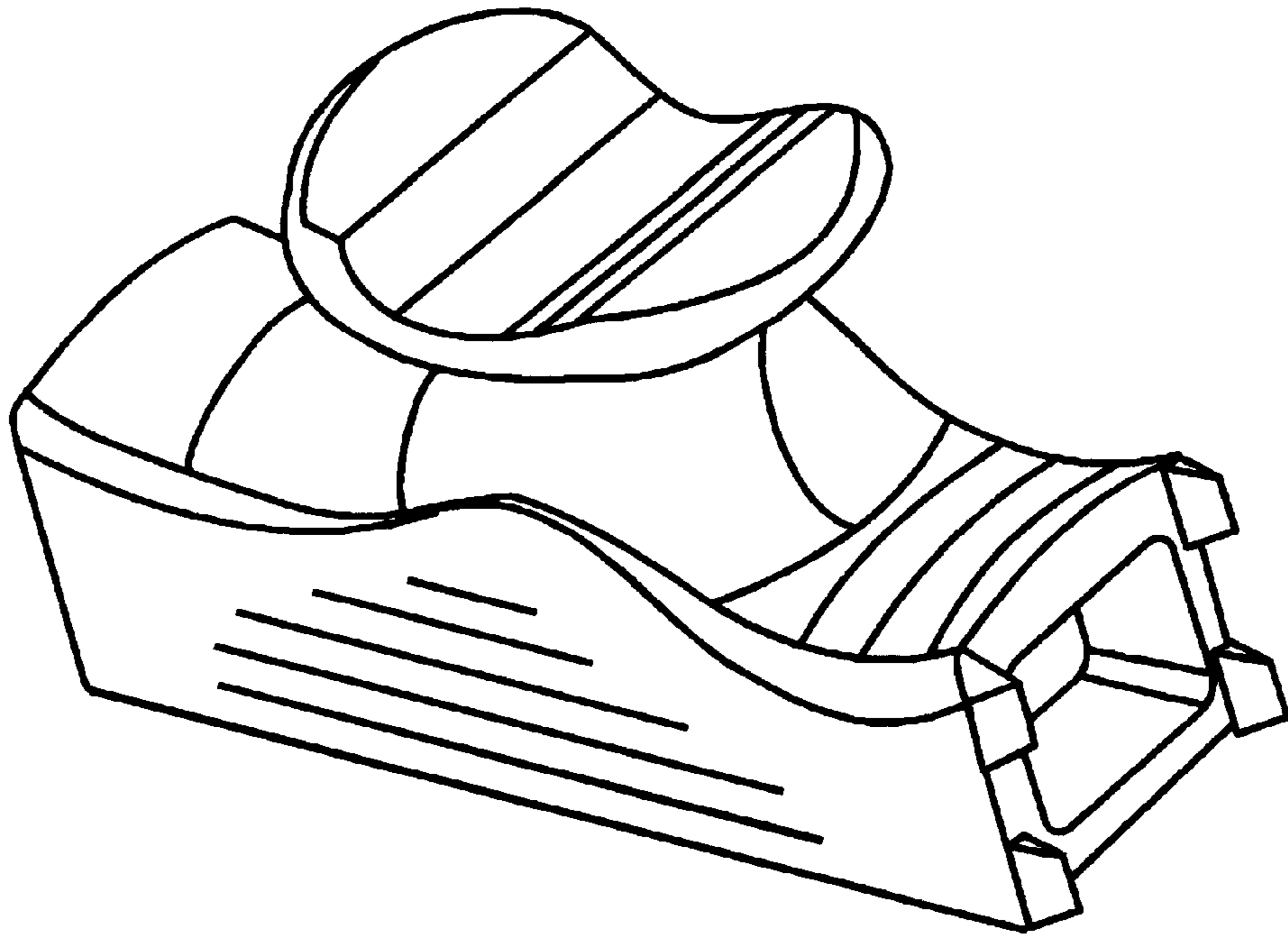


FIGURE 7

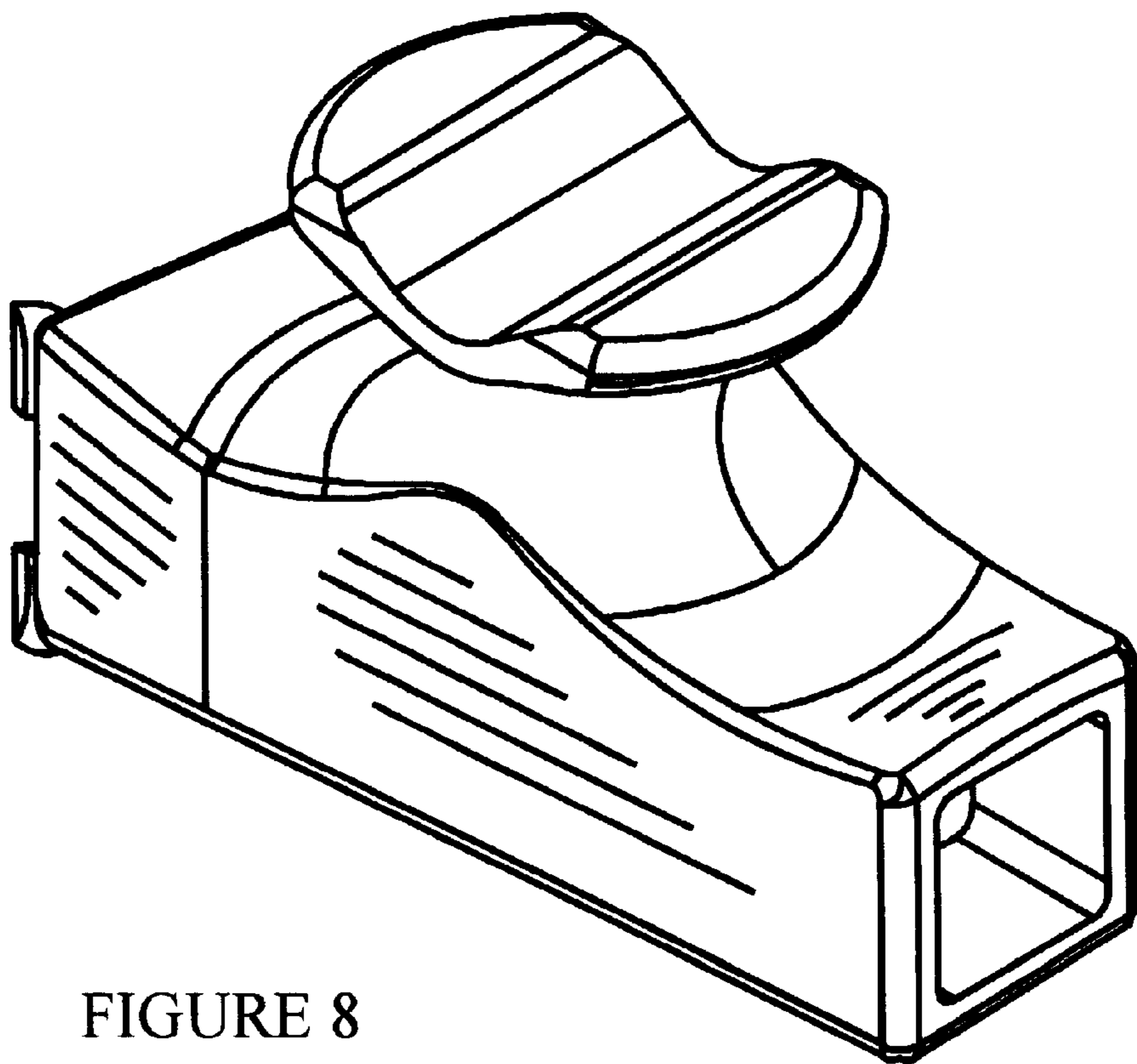


FIGURE 8

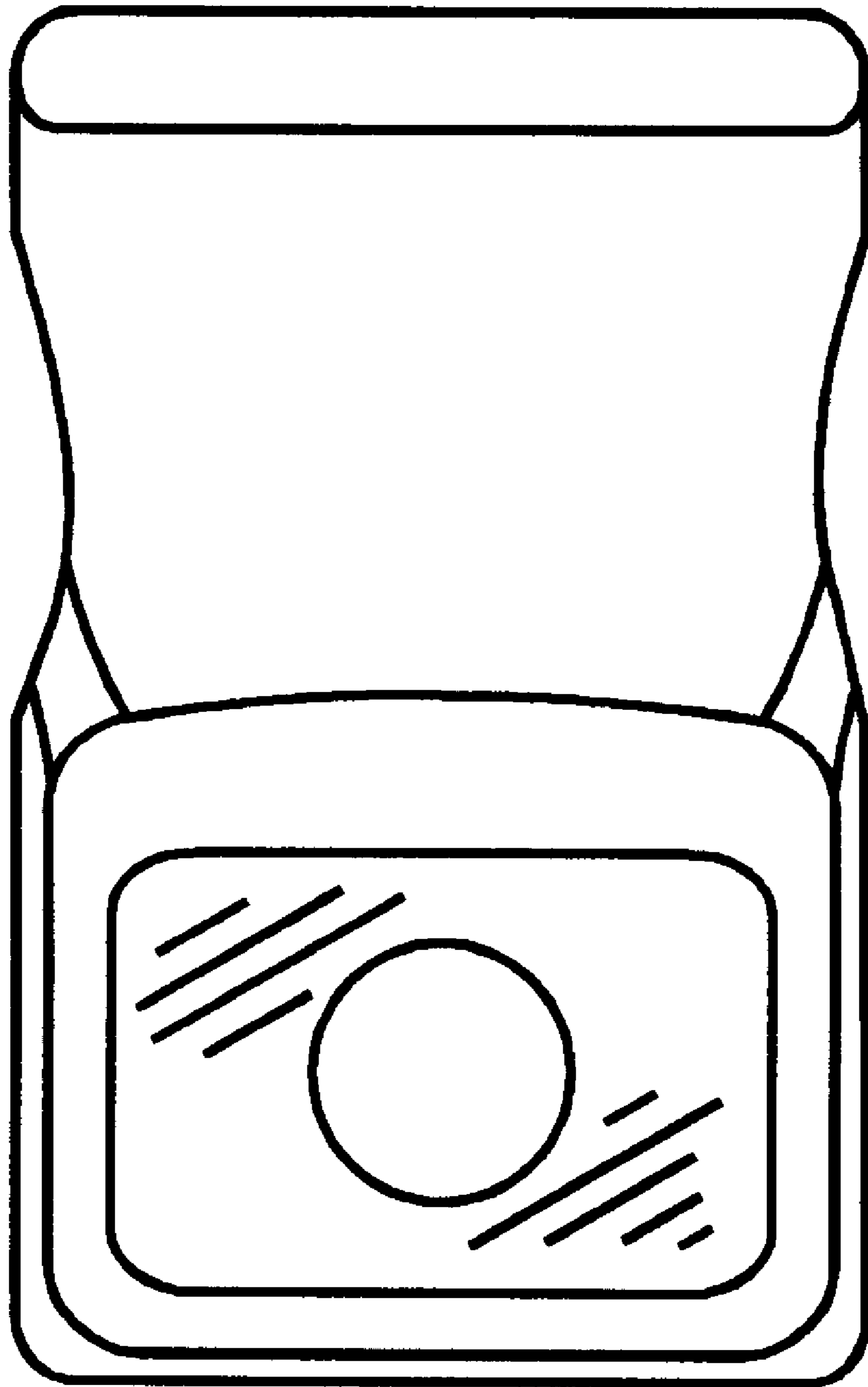


FIGURE 9