



US00D423453S

United States Patent [19]

Tremaglio et al.

[11] Patent Number: Des. 423,453

[45] Date of Patent: ** Apr. 25, 2000

[54] LIGHT BULB LIFE EXTENDER

[75] Inventors: Anthony M Tremaglio, Waterbury, Conn.; Jeffrey M Drubner, New York, N.Y.

[73] Assignee: Power Mizer Enterprises LLC, Waterbury, Conn.

[**] Term: 14 Years

[21] Appl. No.: 29/104,119

[22] Filed: Apr. 28, 1999

[51] LOC (6) Cl. 13-03

[52] U.S. Cl. D13/125; D13/134

[58] Field of Search D13/125, 134; 307/146; 315/200 R, 71

[56] References Cited

U.S. PATENT DOCUMENTS

D. 284,653	7/1986	Matican	D13/125
3,450,893	6/1969	Munson	307/146
3,617,766	11/1971	Kahn	307/146
3,818,263	6/1974	Belko	315/32
3,823,339	7/1974	Borneman et al.	315/69
3,875,547	4/1975	Kahn	338/219
4,435,671	3/1984	Wouk	315/200 R
4,544,861	10/1985	Kretchmar	315/200 R
4,980,607	12/1990	Albert et al.	315/71
5,716,216	2/1998	O'Loughlin et al.	434/22

Primary Examiner—Joel Sincavage

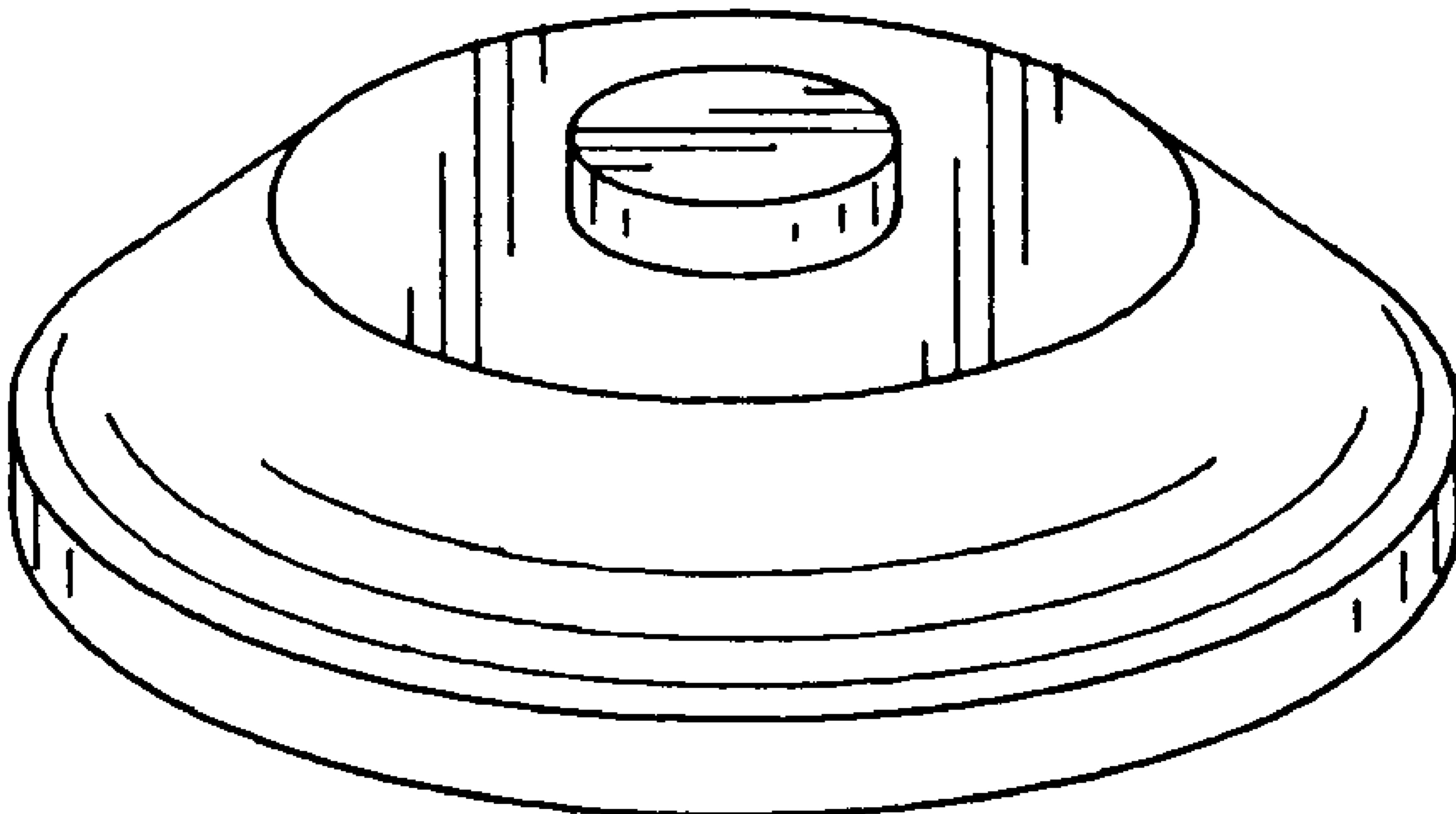
[57] CLAIM

The ornamental design for a light bulb life extender, as shown and descibed.

DESCRIPTION

FIG. 1 is an oblique view of the bottom of the first embodiment of the light bulb life extender;
 FIG. 2 is an oblique view of the top of the first embodiment of the light bulb life extender;
 FIG. 3 is a bottom plan view of the first embodiment of the light bulb life extender;
 FIG. 4 is a top plan view of the first embodiment of the light bulb life extender;
 FIG. 5 is a side elevation of the first embodiment of the light bulb life extender;
 FIG. 6 is an oblique view of the bottom of the second embodiment of the light bulb life extender;
 FIG. 7 is an oblique view of the top of the second embodiment of the light bulb life extender;
 FIG. 8 is a bottom plan view of the second embodiment of the light bulb life extender;
 FIG. 9 is a top plan view of the second embodiment of the light bulb life extender; and,
 FIG. 10 is a side elevation of the second embodiment of the light bulb life extender.

1 Claim, 2 Drawing Sheets



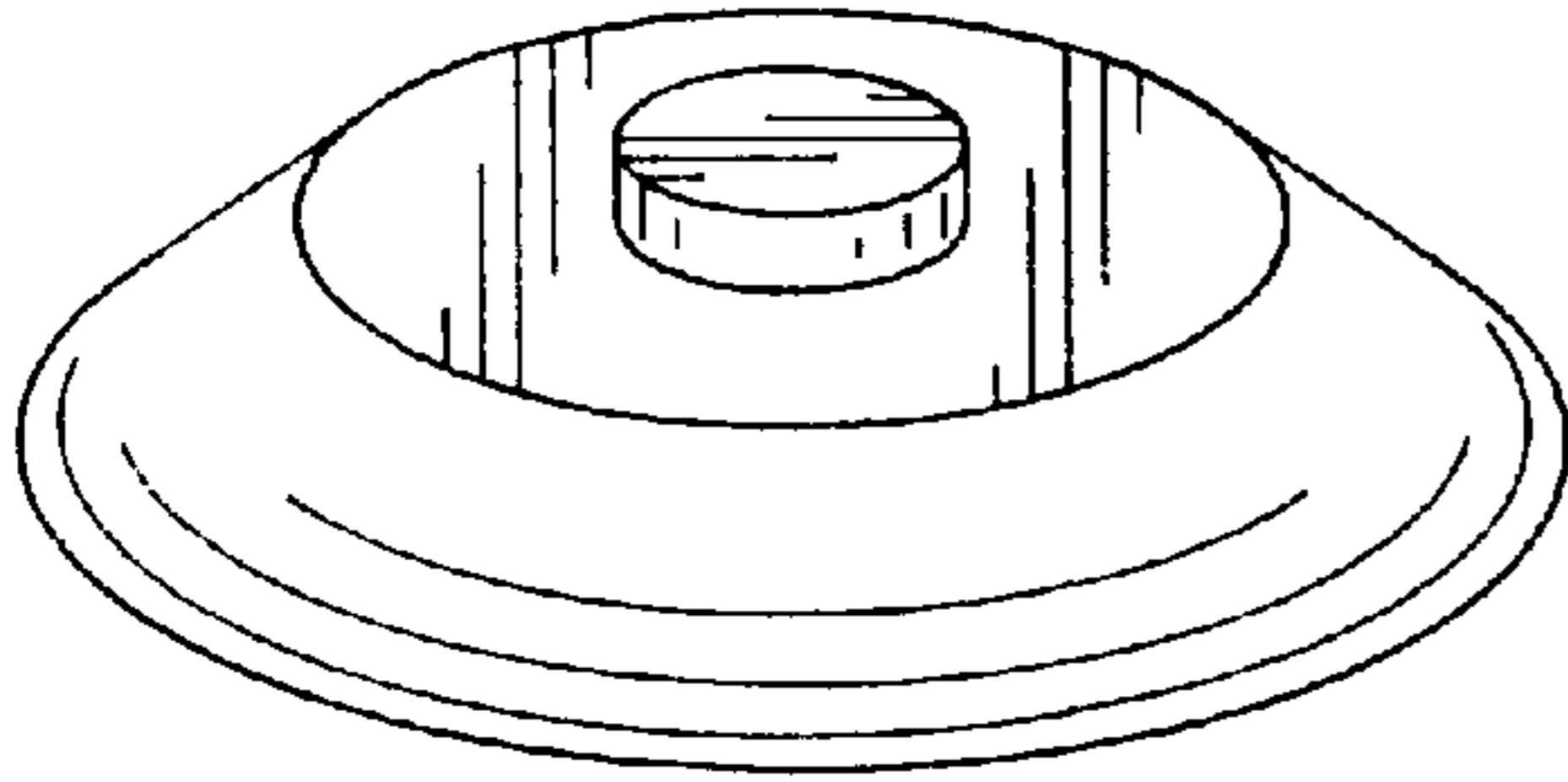


FIG. 1

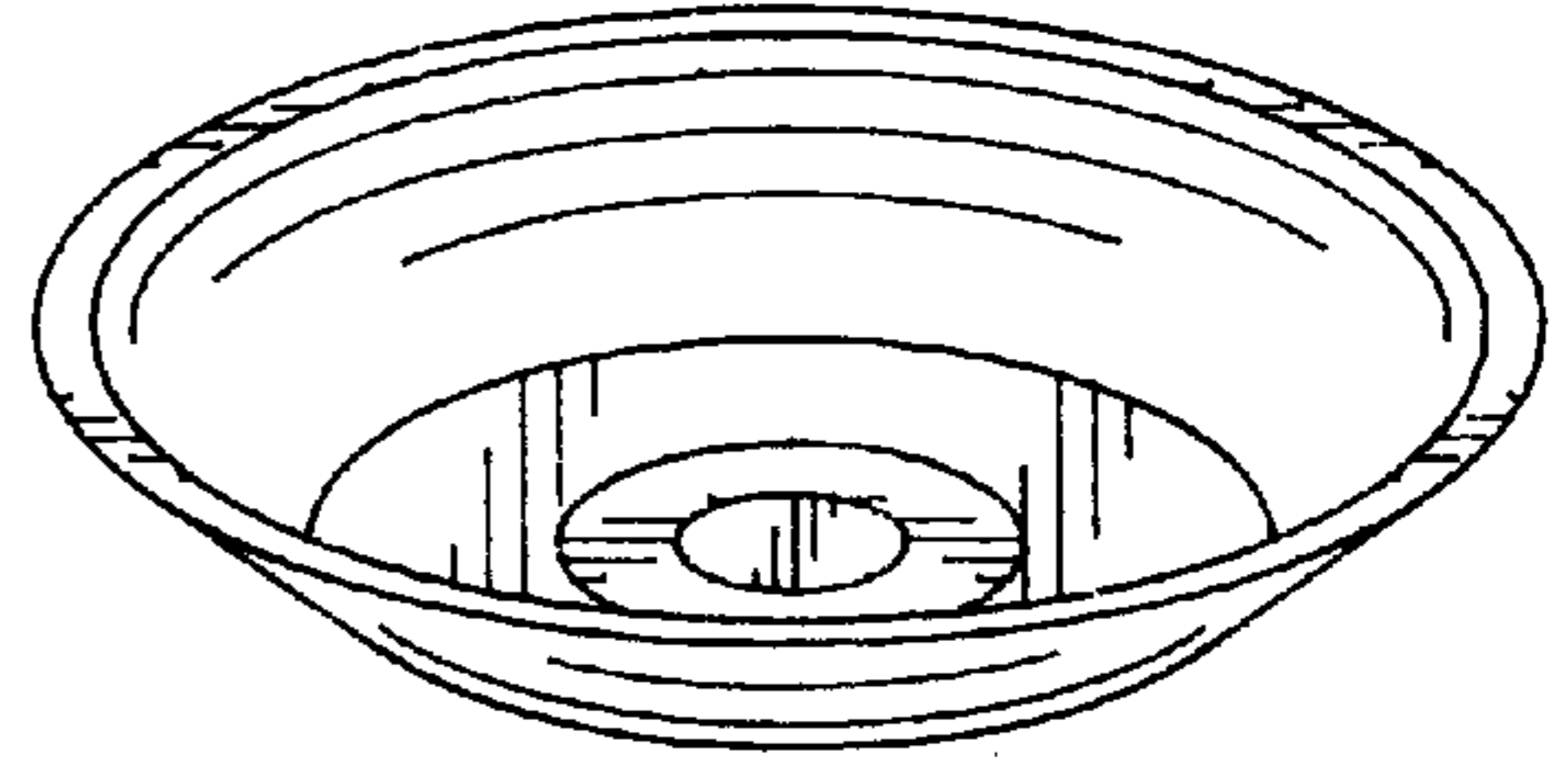


FIG. 2

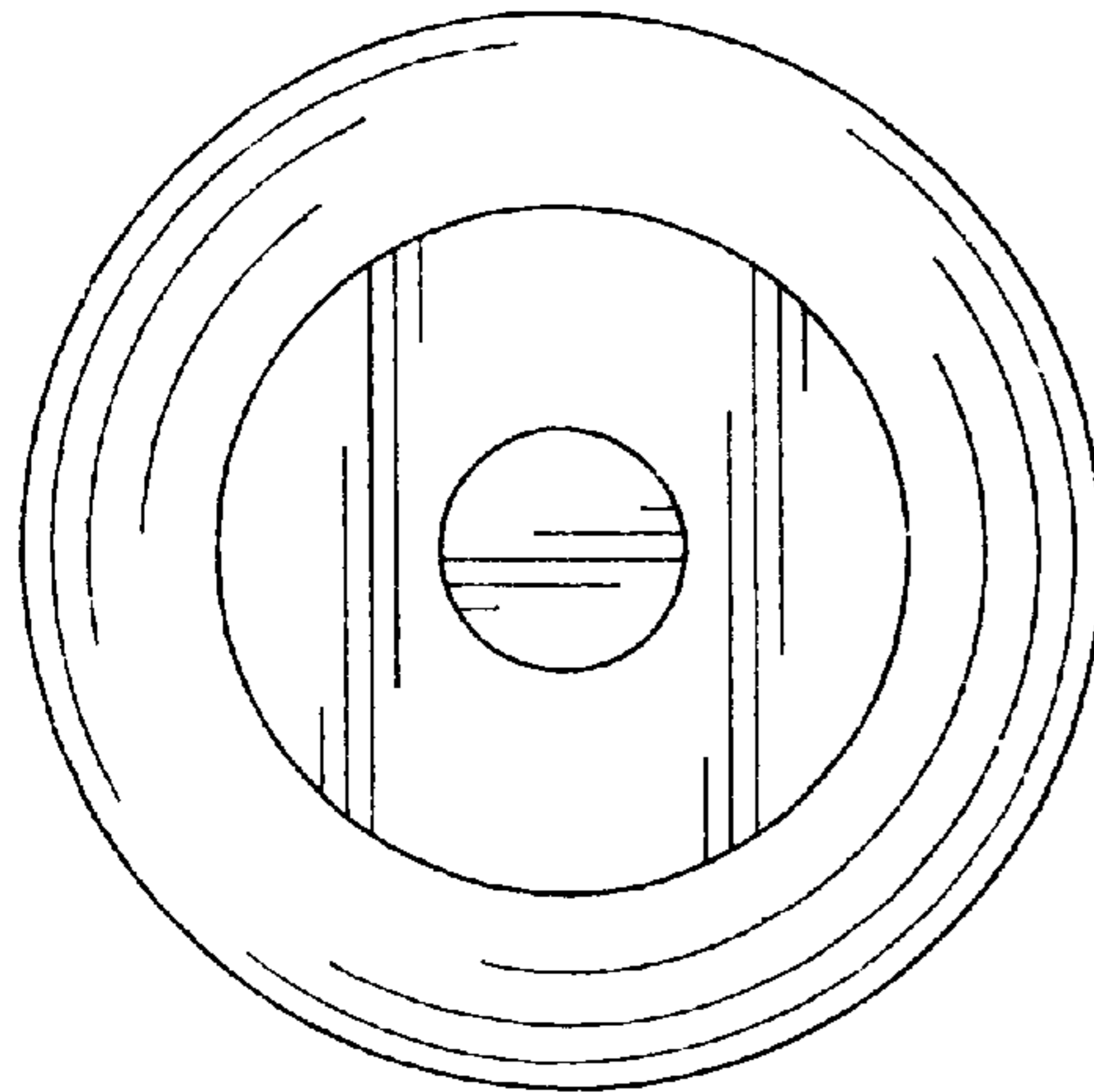


FIG. 3

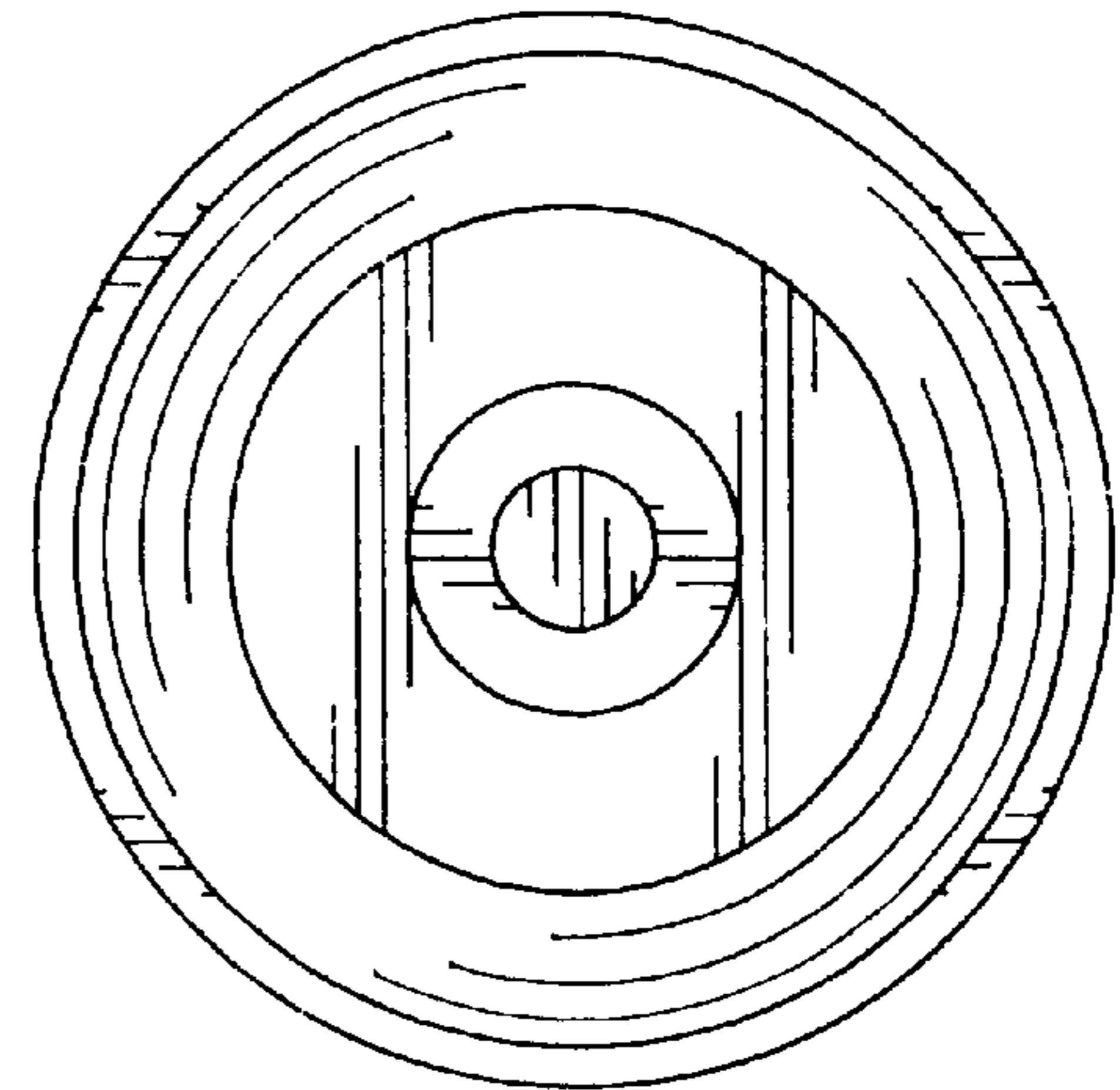


FIG. 4

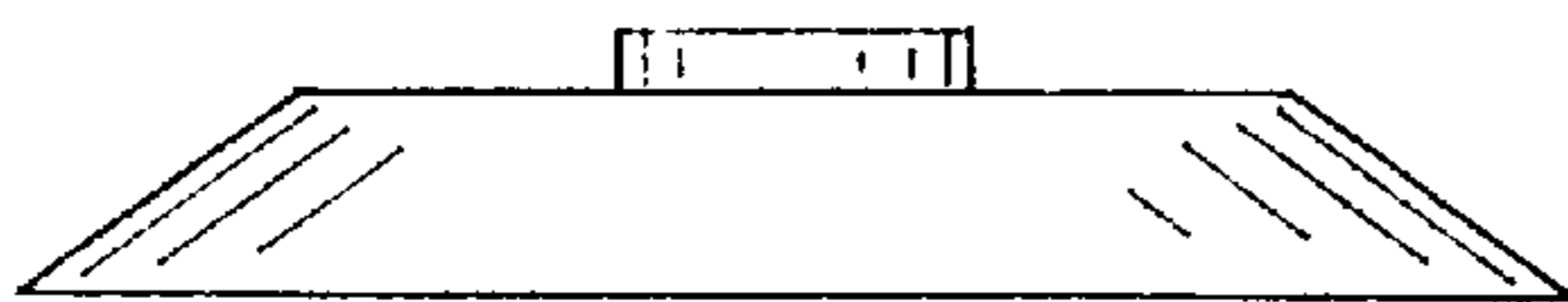


FIG. 5

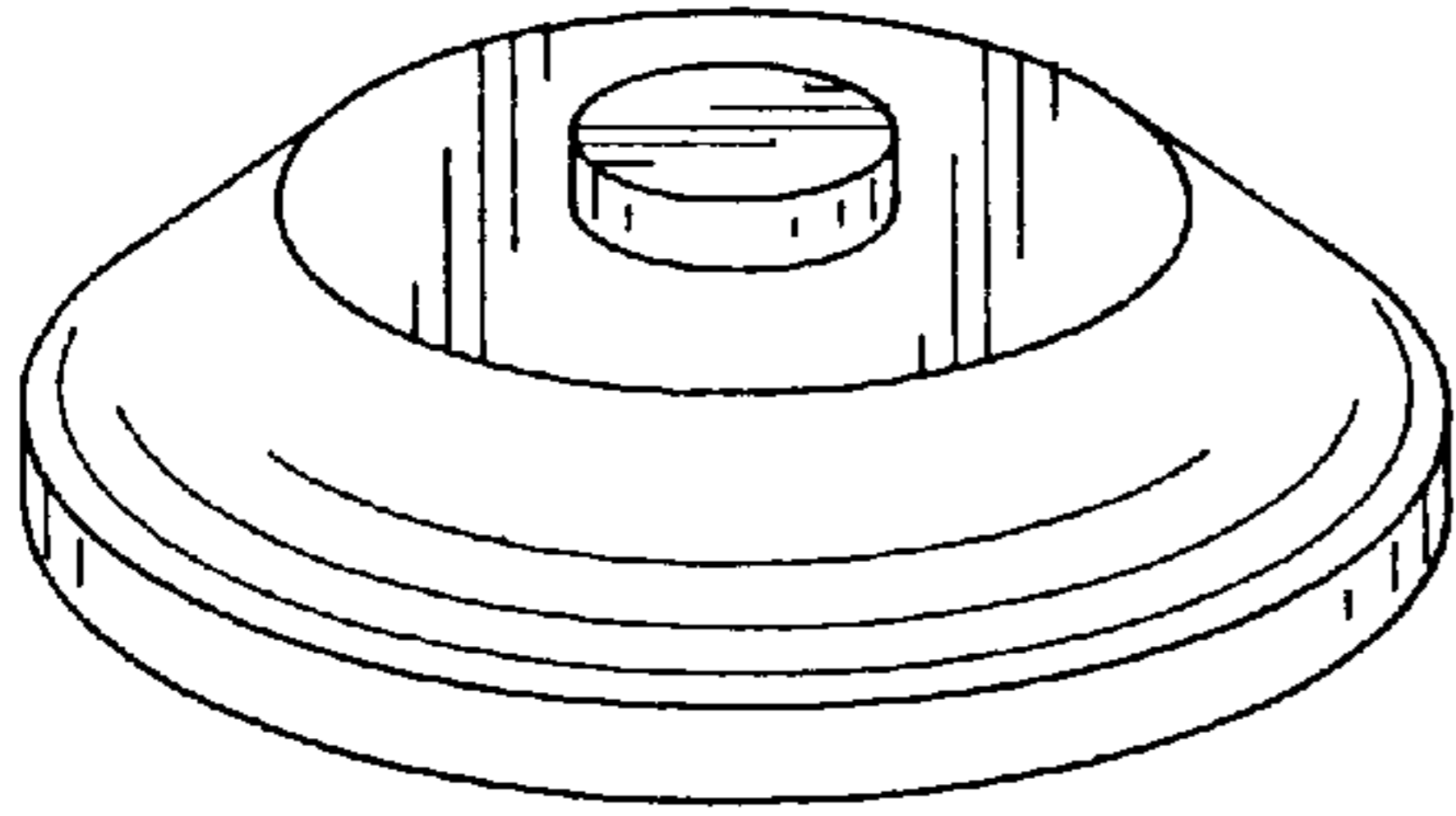


FIG. 6

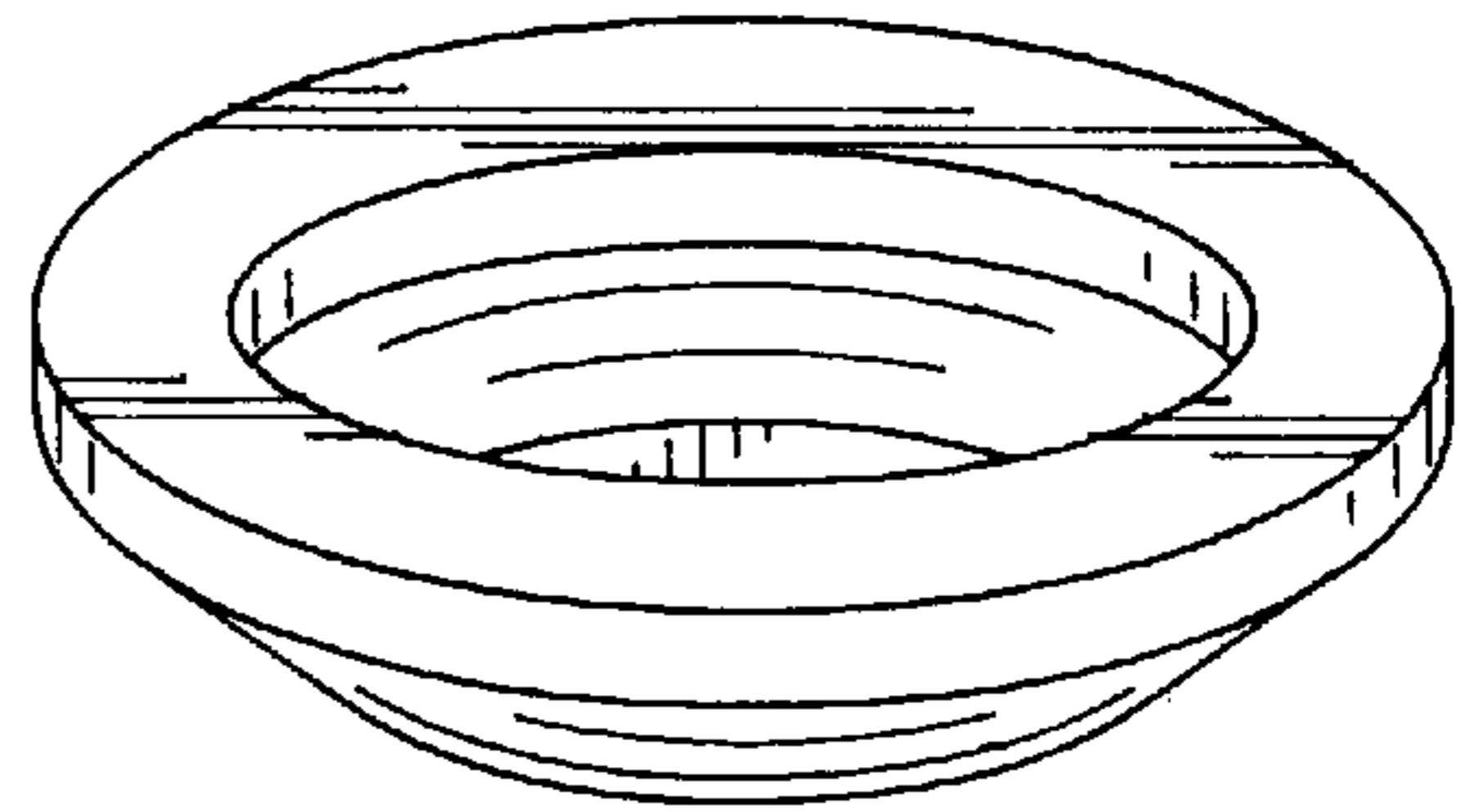


FIG. 7

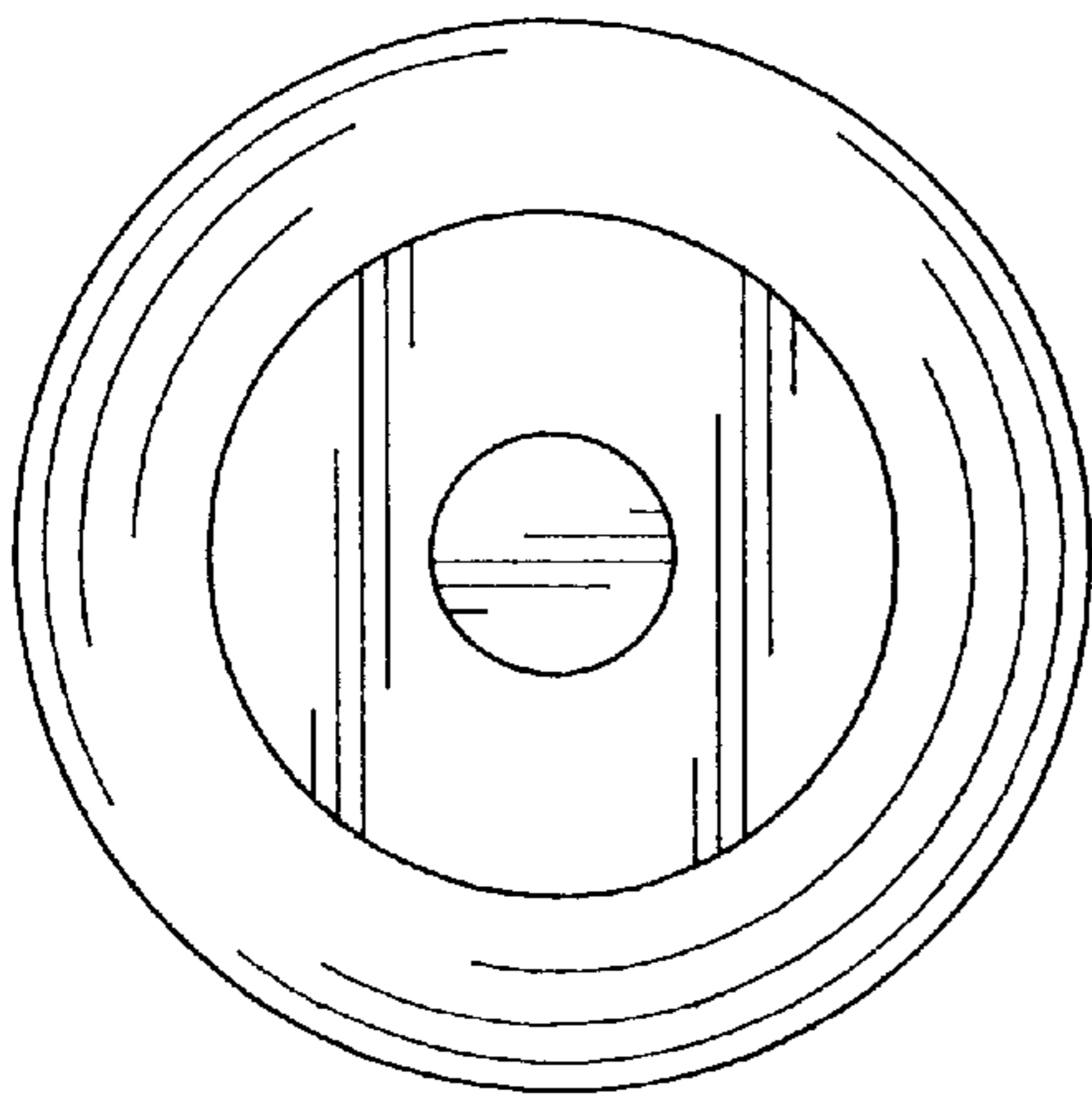


FIG. 8

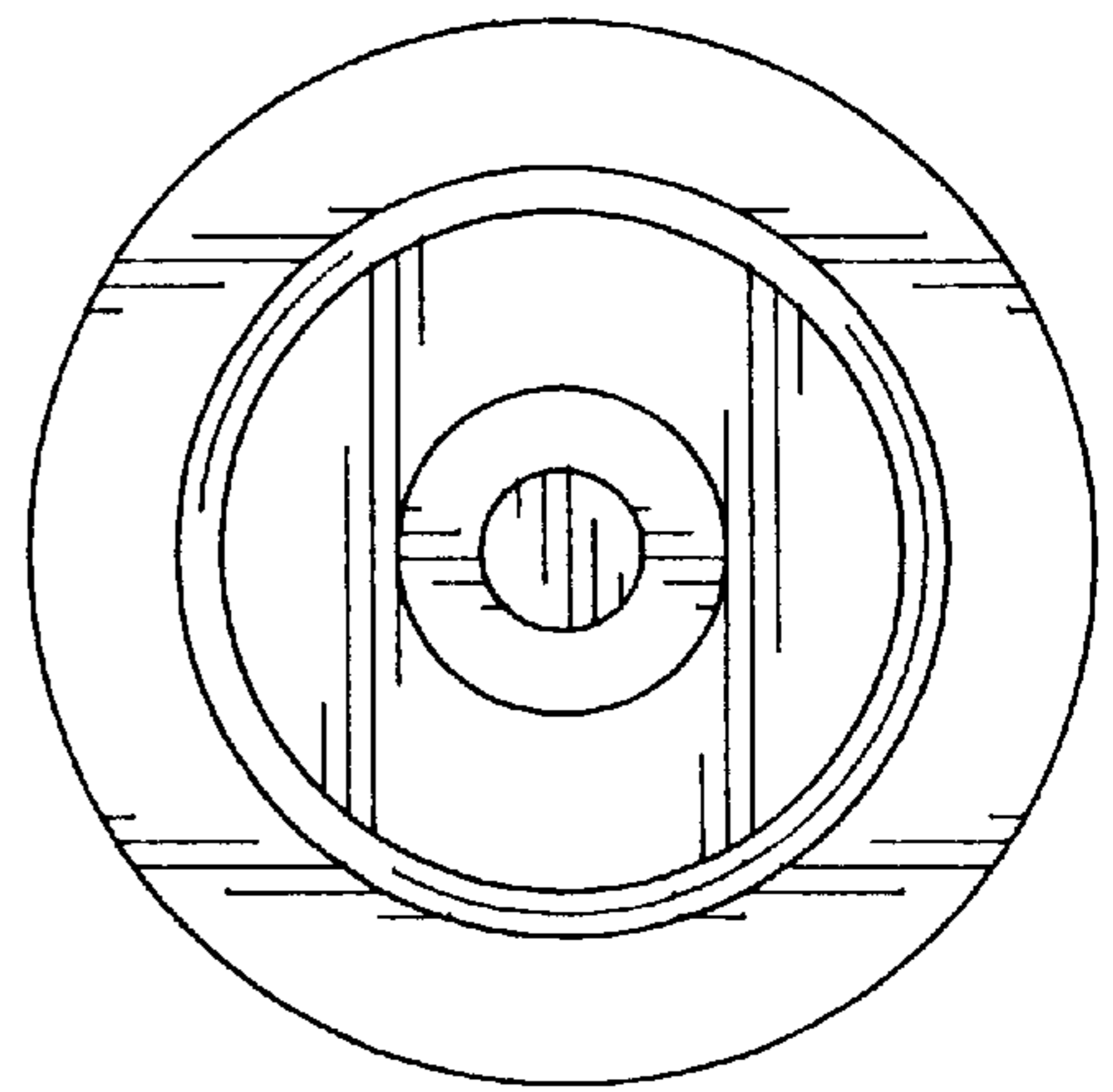


FIG. 9

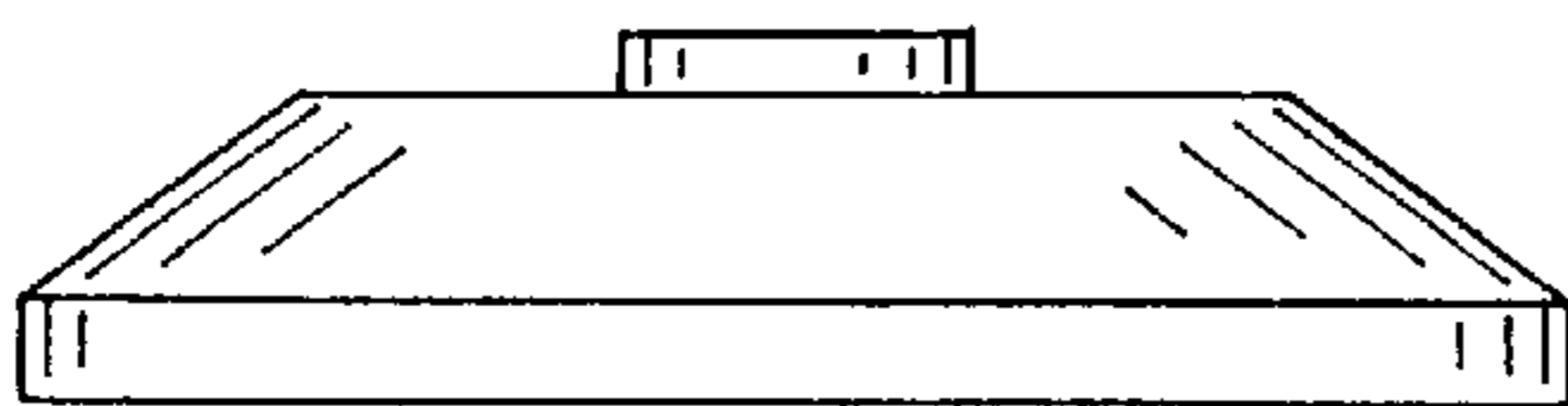


FIG. 10