



US00D423449S

# United States Patent [19] Naskali

[11] **Patent Number: Des. 423,449**

[45] **Date of Patent: \*\* Apr. 25, 2000**

[54] **BATTERY**

[75] Inventor: **Matti Naskali**, Yliskulma, Finland

[73] Assignee: **Nokia Nobile Phones Limited**, Espoo, Finland

[\*\*] Term: **14 Years**

[21] Appl. No.: **29/108,990**

[22] Filed: **Aug. 6, 1999**

[30] **Foreign Application Priority Data**

Feb. 8, 1999 [FI] Finland ..... M19990110

[51] **LOC (6) Cl.** ..... **13-02**

[52] **U.S. Cl.** ..... **D13/103**

[58] **Field of Search** ..... D13/103, 119;  
429/96-100, 159, 163, 174

[56] **References Cited**

**U.S. PATENT DOCUMENTS**

D. 386,742 11/1997 Amero, Jr. et al. .... D13/103

D. 402,954 12/1998 Waldner ..... D13/103  
D. 406,098 2/1999 Walter et al. .... D13/103  
D. 414,159 9/1999 Deslyper et al. .... D13/103

*Primary Examiner*—Joel Sincavage  
*Attorney, Agent, or Firm*—Brian T. Rivers

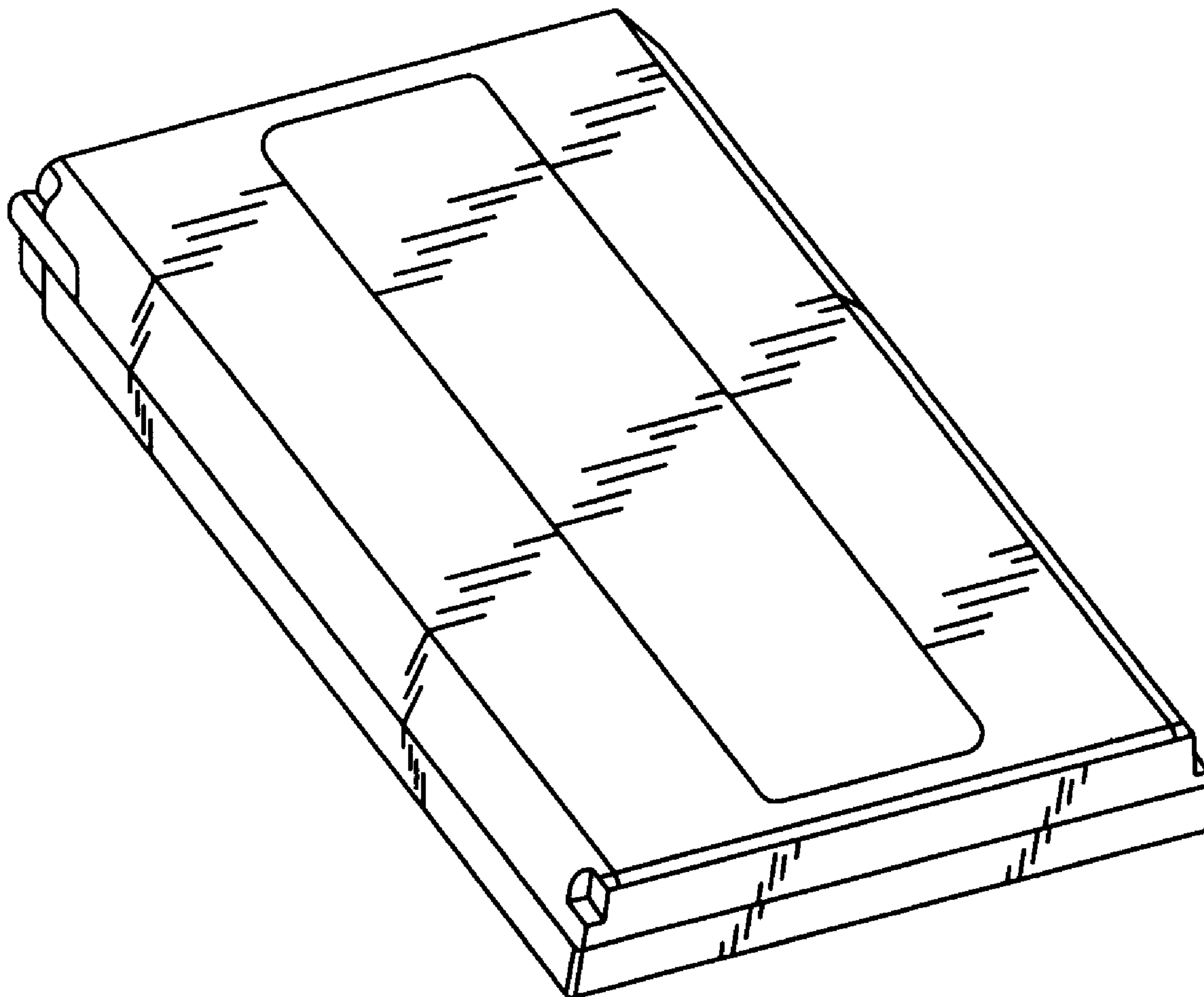
[57] **CLAIM**

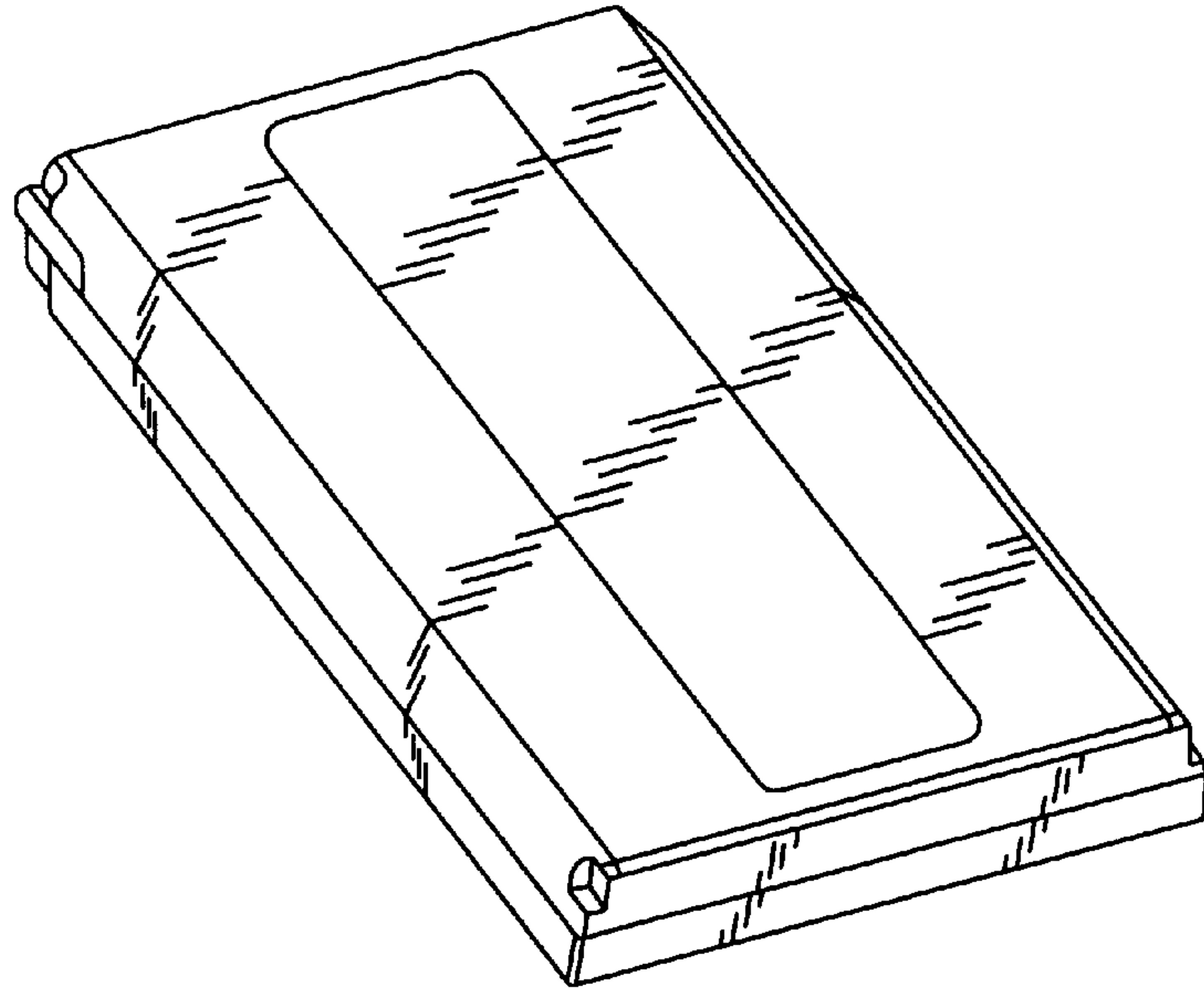
I claim the ornamental design for a battery, as shown and described.

**DESCRIPTION**

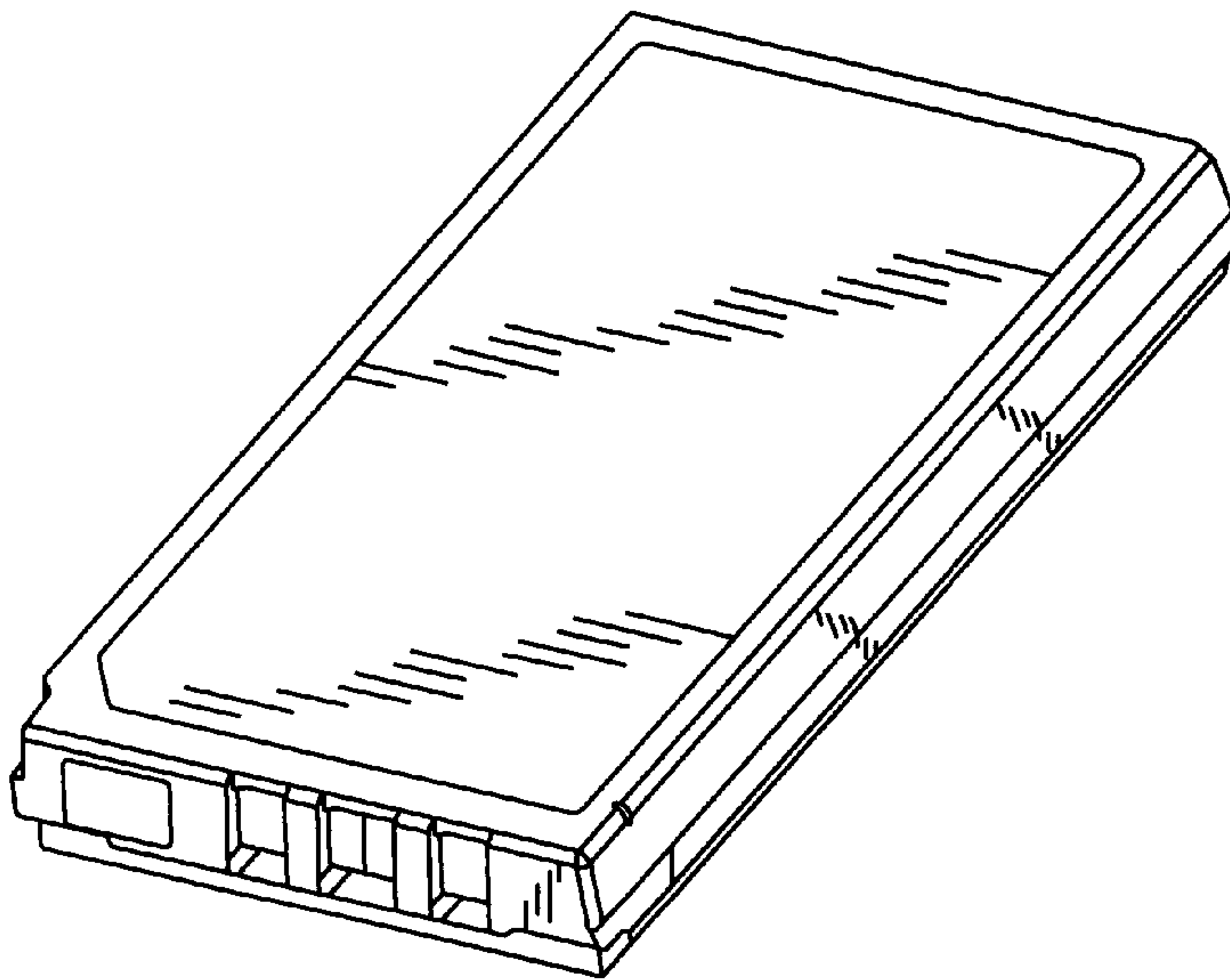
FIG. 1 is a rear, right side and top perspective view of the battery;  
FIG. 2 is a front, left side and bottom view of thereof;  
FIG. 3 is a left side elevational thereof;  
FIG. 4 is a bottom plan view thereof;  
FIG. 5 is a rear elevational view thereof;  
FIG. 6 is a right side elevational view thereof;  
FIG. 7 is a front elevational view thereof; and,  
FIG. 8 is a top plan view.

**1 Claim, 3 Drawing Sheets**

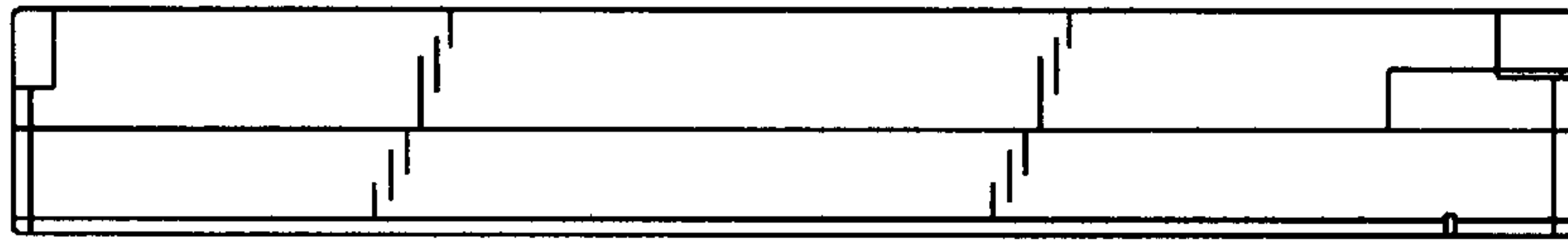




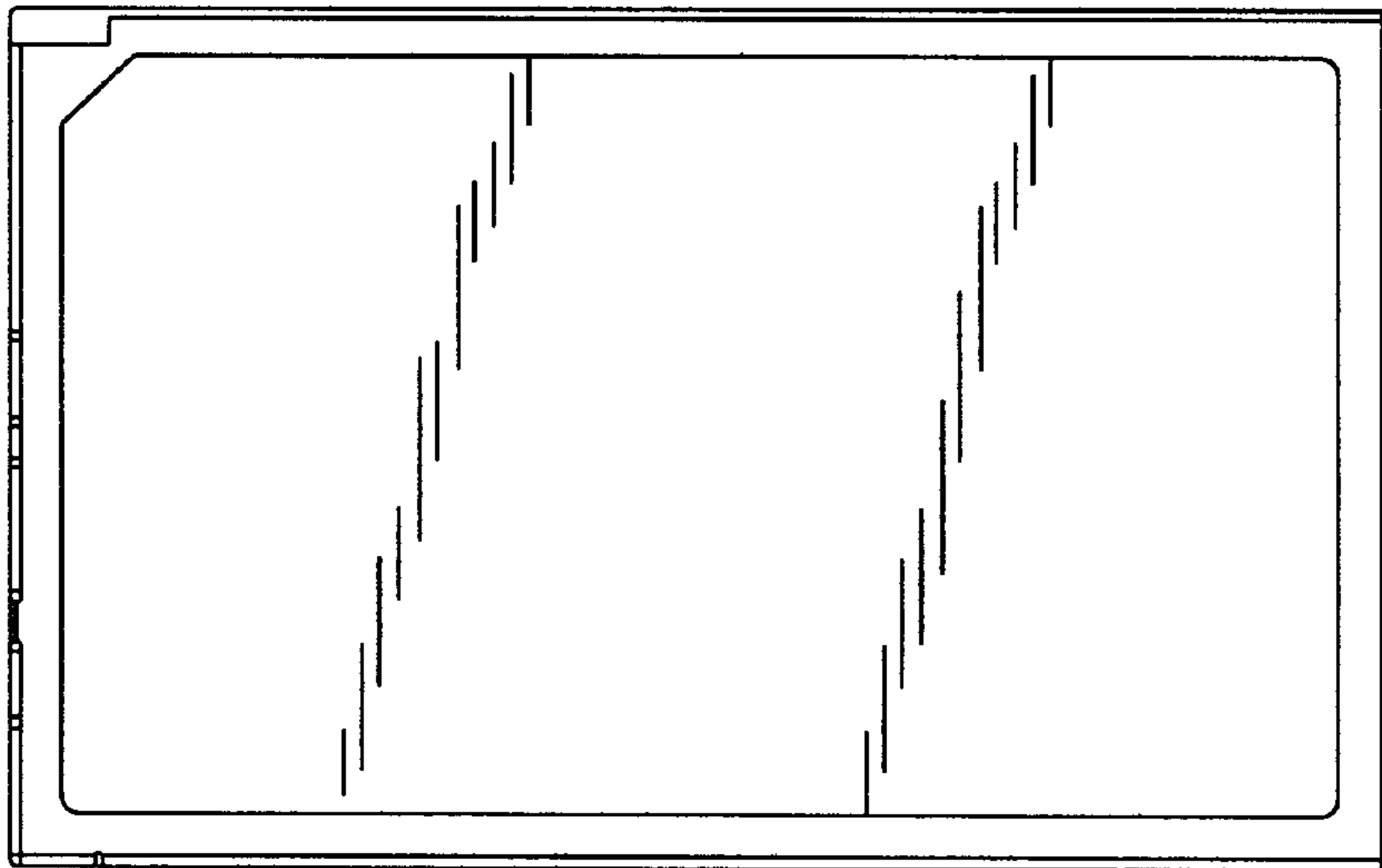
*FIG. 1*



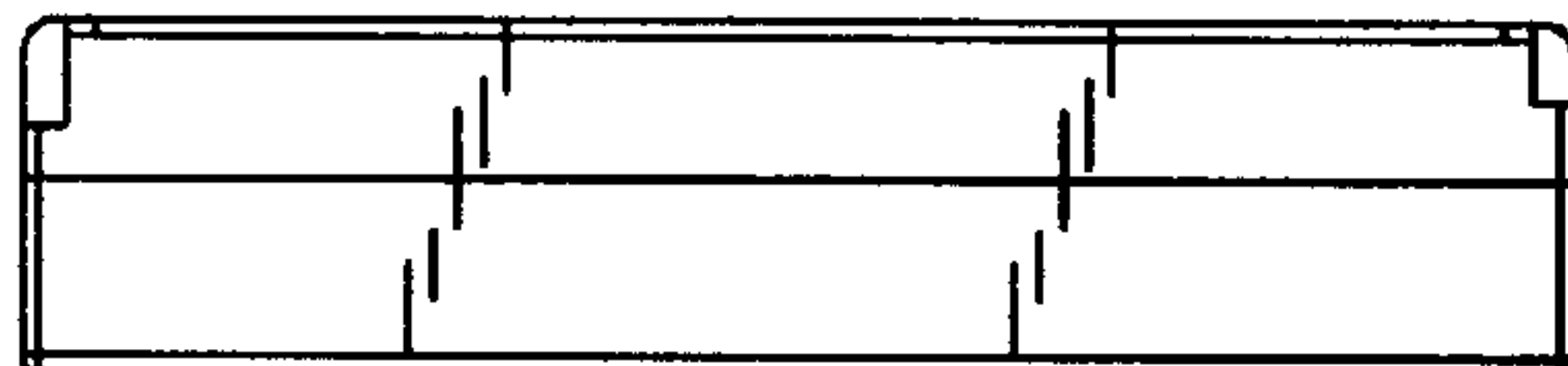
*FIG. 2*



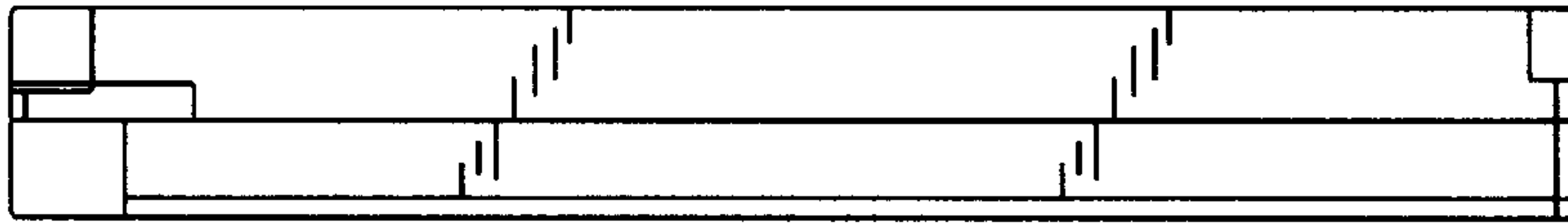
*FIG. 3*



*FIG. 4*



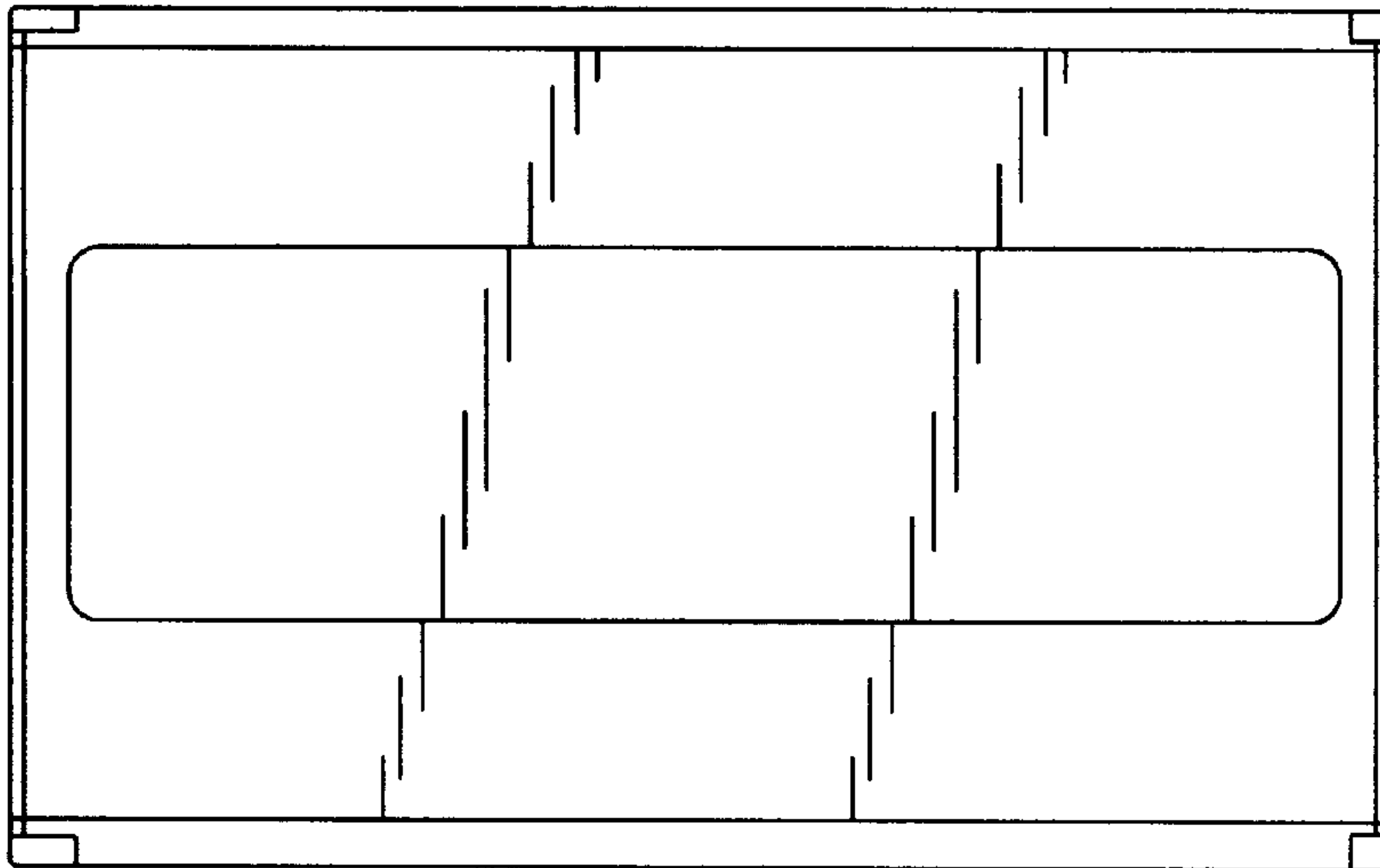
*FIG. 5*



*FIG. 6*



*FIG. 7*



*FIG. 8*