



US00D423448S

United States Patent [19]
Yu

[11] **Patent Number: Des. 423,448**

[45] **Date of Patent: ** Apr. 25, 2000**

[54] **RECHARGEABLE BATTERY PACK**

D. 397,670 9/1998 Davies et al. D13/103
D. 408,008 4/1999 Richards et al. D13/103

[75] Inventor: **Man-Chiu Yu**, Kowloon, The Hong Kong Special Administrative Region of the People's Republic of China

Primary Examiner—Joel Sincavage
Attorney, Agent, or Firm—Samuels, Gauthier & Stevens

[73] Assignee: **Smart Mark Limited**, The Hong Kong Special Administrative Region of the People's Republic of China

[57] **CLAIM**

The ornamental design for a “rechargeable battery pack,” as shown and described.

[**] Term: **14 Years**

DESCRIPTION

[21] Appl. No.: **29/100,786**

FIG. 1 is the front perspective view showing my new design;
FIG. 2 is the front view thereof;
FIG. 3 is the left-hand view thereof;
FIG. 4 is the right-hand view thereof;
FIG. 5 is the rear view thereof;
FIG. 6 is the top view thereof; and,
FIG. 7 is the bottom view thereof.

[22] Filed: **Feb. 18, 1999**

[51] **LOC (6) Cl.** **13-02**

[52] **U.S. Cl.** **D13/103**

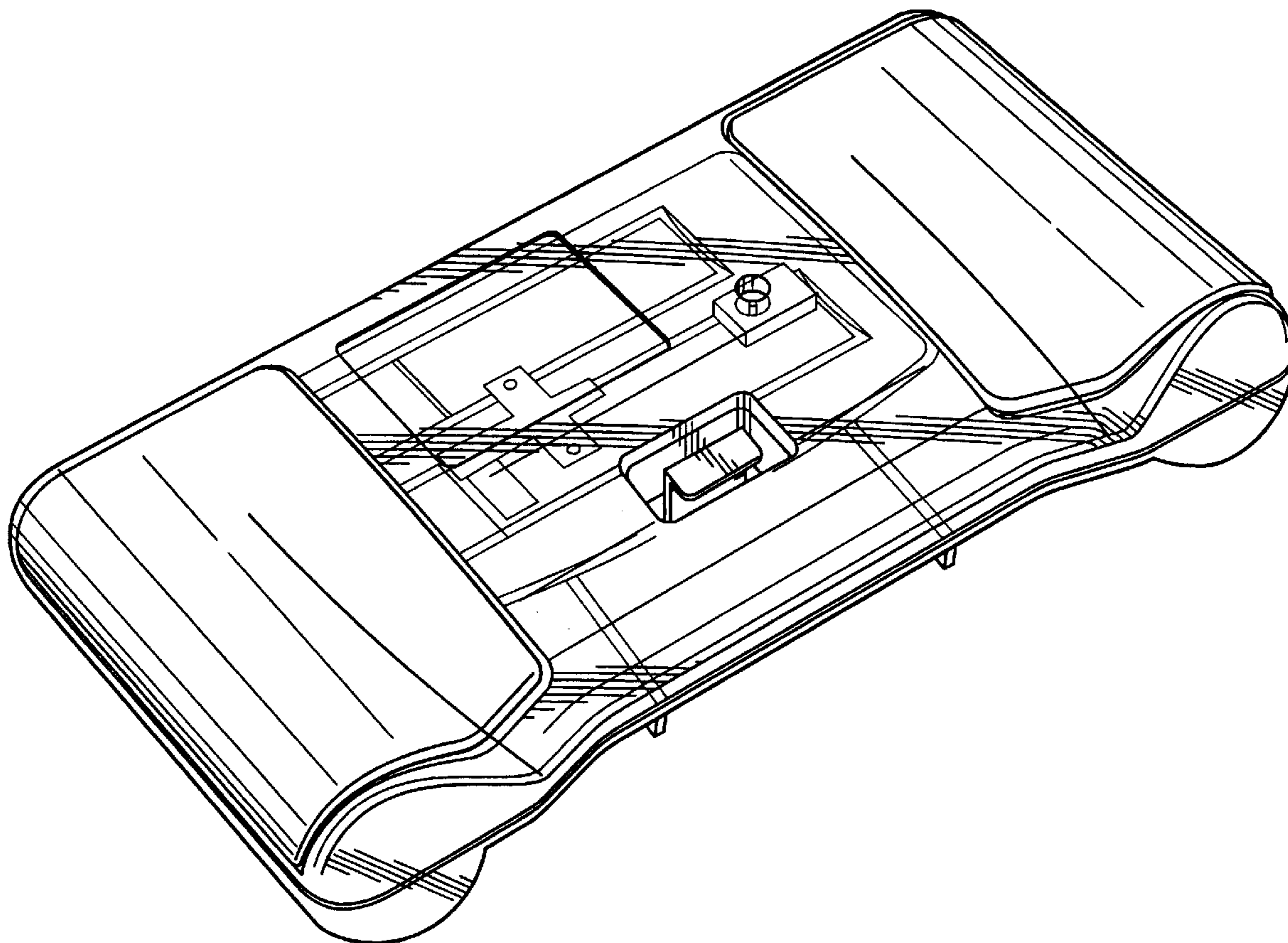
[58] **Field of Search** D13/103, 104;
429/96–100, 159, 163, 176

[56] **References Cited**

U.S. PATENT DOCUMENTS

D. 373,108 8/1996 Chung D13/103

1 Claim, 3 Drawing Sheets



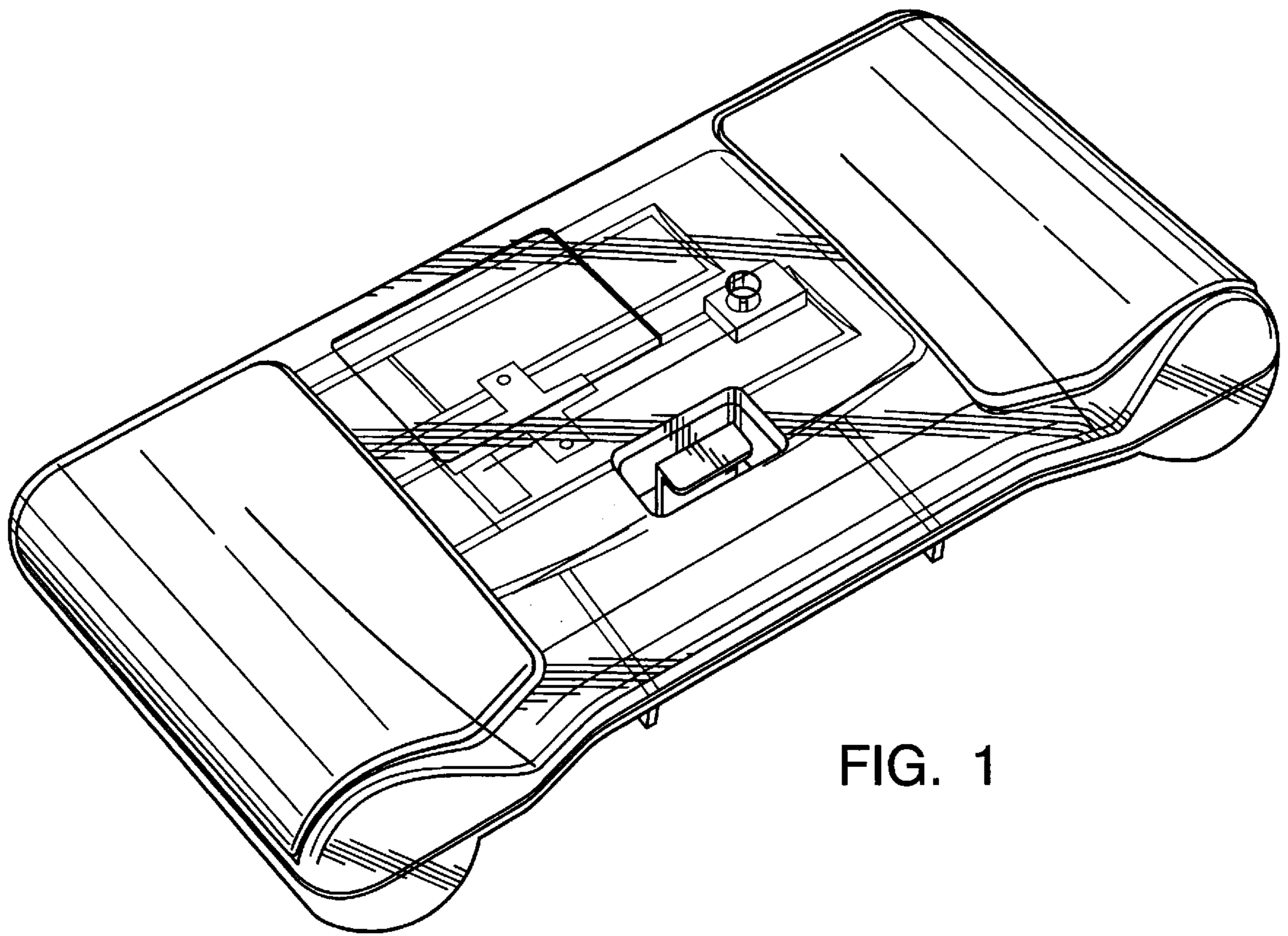


FIG. 1

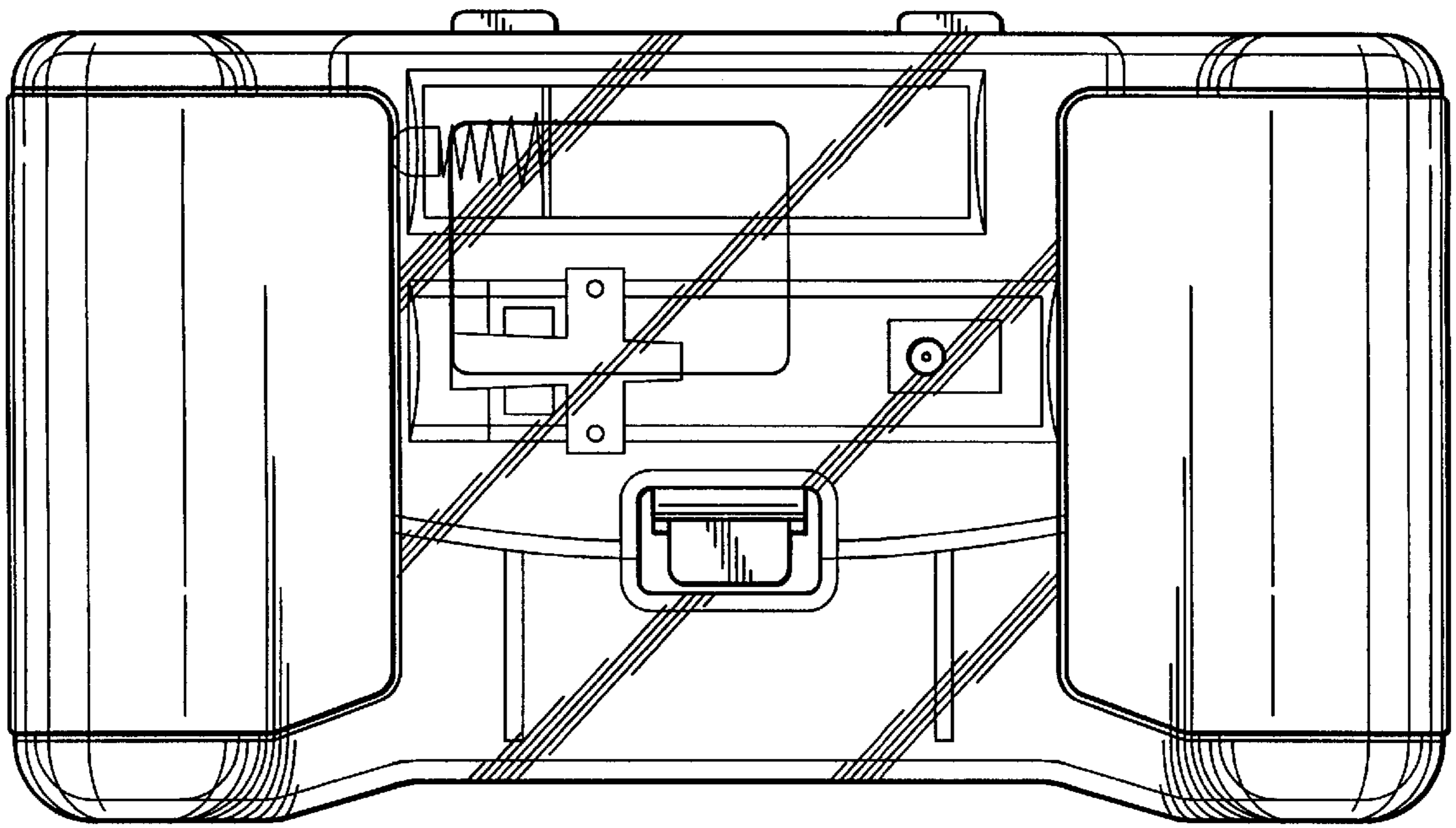


FIG. 2

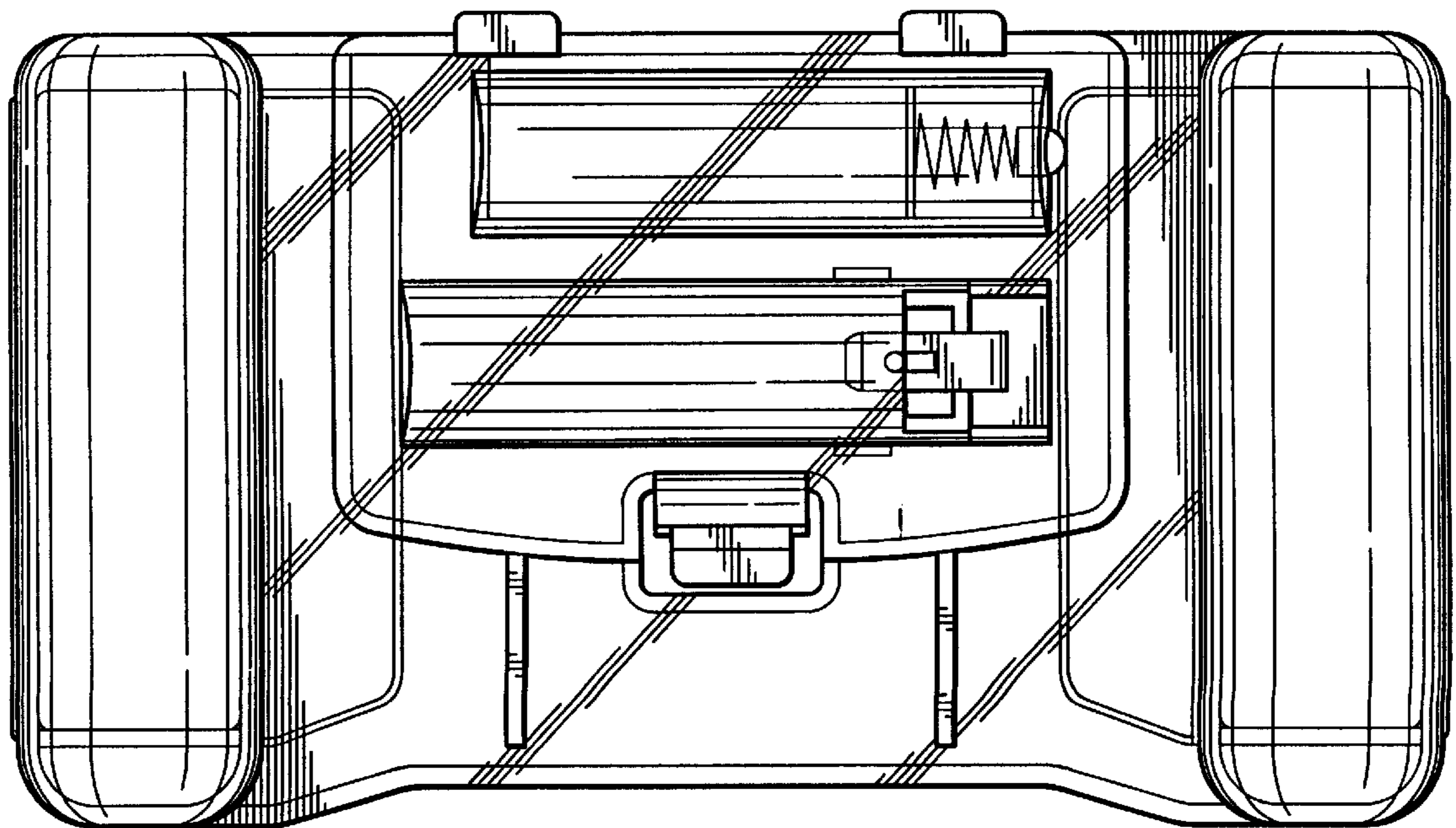


FIG. 5

FIG. 3

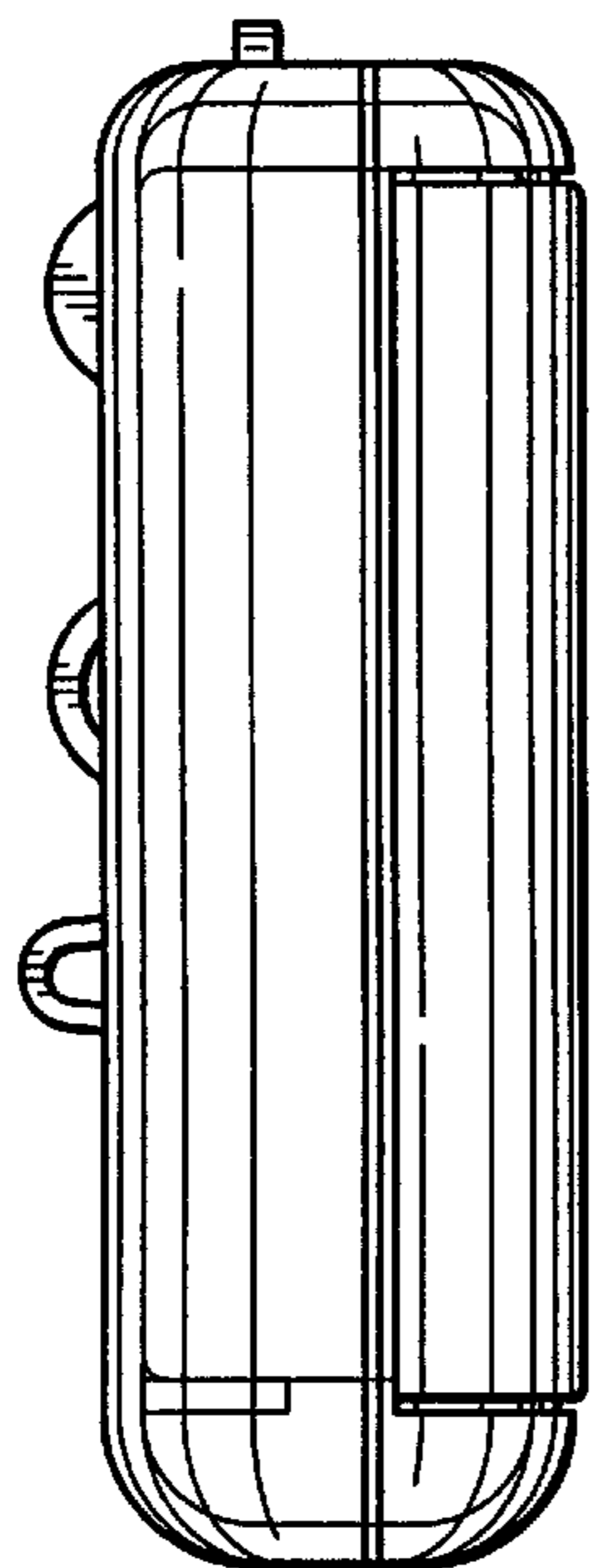


FIG. 4

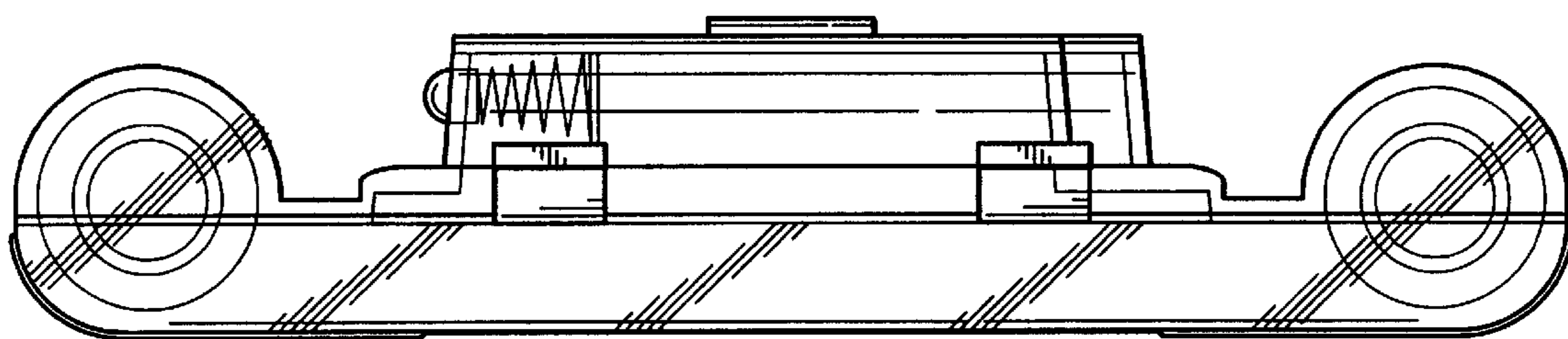
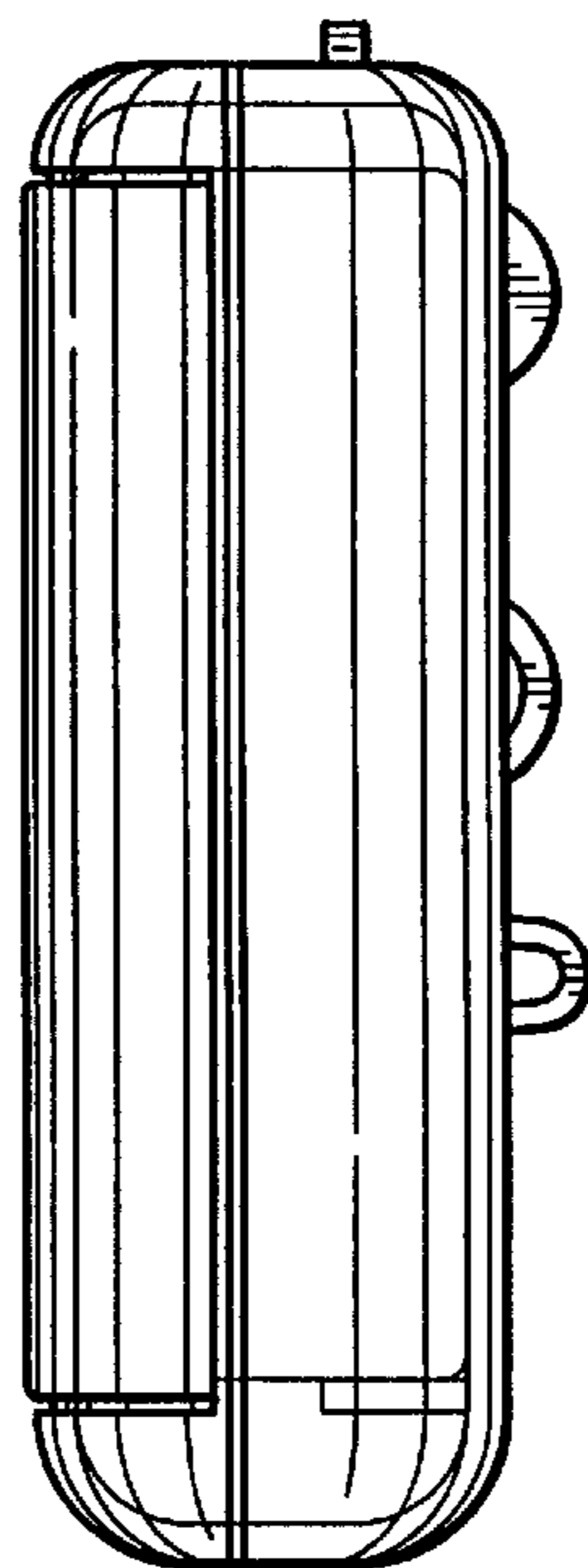


FIG. 6

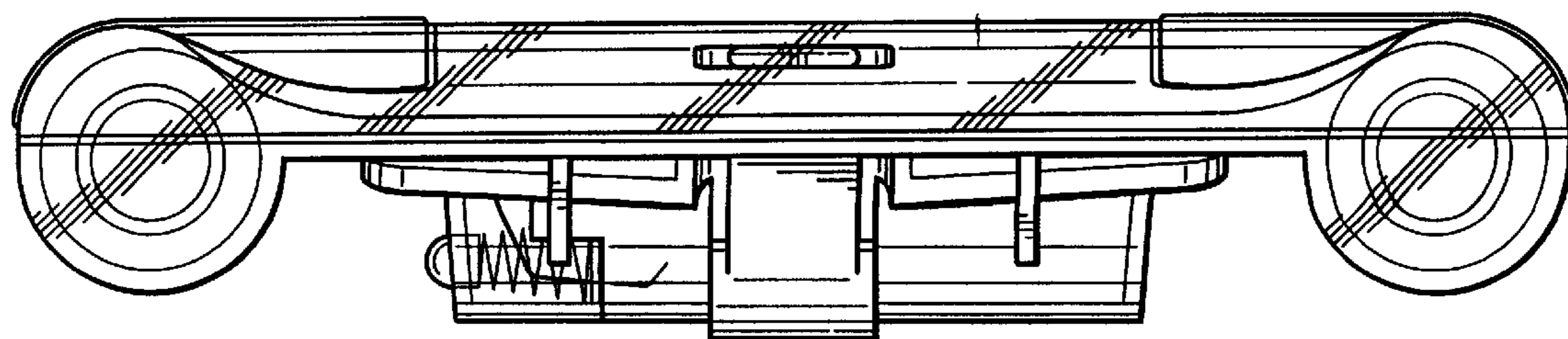


FIG. 7