



US00D423447S

United States Patent [19] Lieding

[11] Patent Number: **Des. 423,447**

[45] Date of Patent: **** Apr. 25, 2000**

[54] **ENCLOSED TRUCK MOUNTED GLASS CARRIER**

[75] Inventor: **Robert K. Lieding**, Mequon, Wis.

[73] Assignee: **F. Barkow Incorporated**, Milwaukee, Wis.

[**] Term: **14 Years**

[21] Appl. No.: **29/097,598**

[22] Filed: **Dec. 9, 1998**

[51] **LOC (6) Cl.** **12-16**

[52] **U.S. Cl.** **D12/413**

[58] **Field of Search** D12/406, 401, D12/412, 414.1; 296/3; 108/44; 224/402-405, 522-525; 280/748-749; 211/189-192, 41, 49.1; 206/448, 449

[56] **References Cited**

U.S. PATENT DOCUMENTS

4,057,281	11/1977	Garrett	296/3
4,278,175	7/1981	Jackson	211/41
4,304,336	12/1981	Mays	211/41
4,378,127	3/1983	Rossi, Sr.	296/3
4,489,835	12/1984	Tombal et al.	211/41

4,626,017	12/1986	Robertson	296/3
4,927,032	5/1990	Mercure	211/41
4,989,768	2/1991	McNulty	296/3 X
5,628,540	5/1997	James	296/3
5,634,681	6/1997	Gionta	296/3

Primary Examiner—Doris V. Coles
Assistant Examiner—Stacia Cadmus
Attorney, Agent, or Firm—Ryan Kromholz & Manion, S.C.

[57] **CLAIM**

The ornamental design for an enclosed truck mounted glass carrier, as shown and described.

DESCRIPTION

FIG. 1 is a perspective view facing the right rear corner of the glass carrier;
FIG. 2 is a side elevational view taken from the right side of the glass carrier shown mounted on a truck illustrated by phantom lines; an elevational view from the left being a mirror image of FIG. 1;
FIG. 3 is a rear view of the carrier;
FIG. 4 is a front view of the carrier; and,
FIG. 5 is a top view of the carrier of this invention.
The broken line showing of environment is for illustrative purposes only and forms no part of the claimed design.

1 Claim, 5 Drawing Sheets

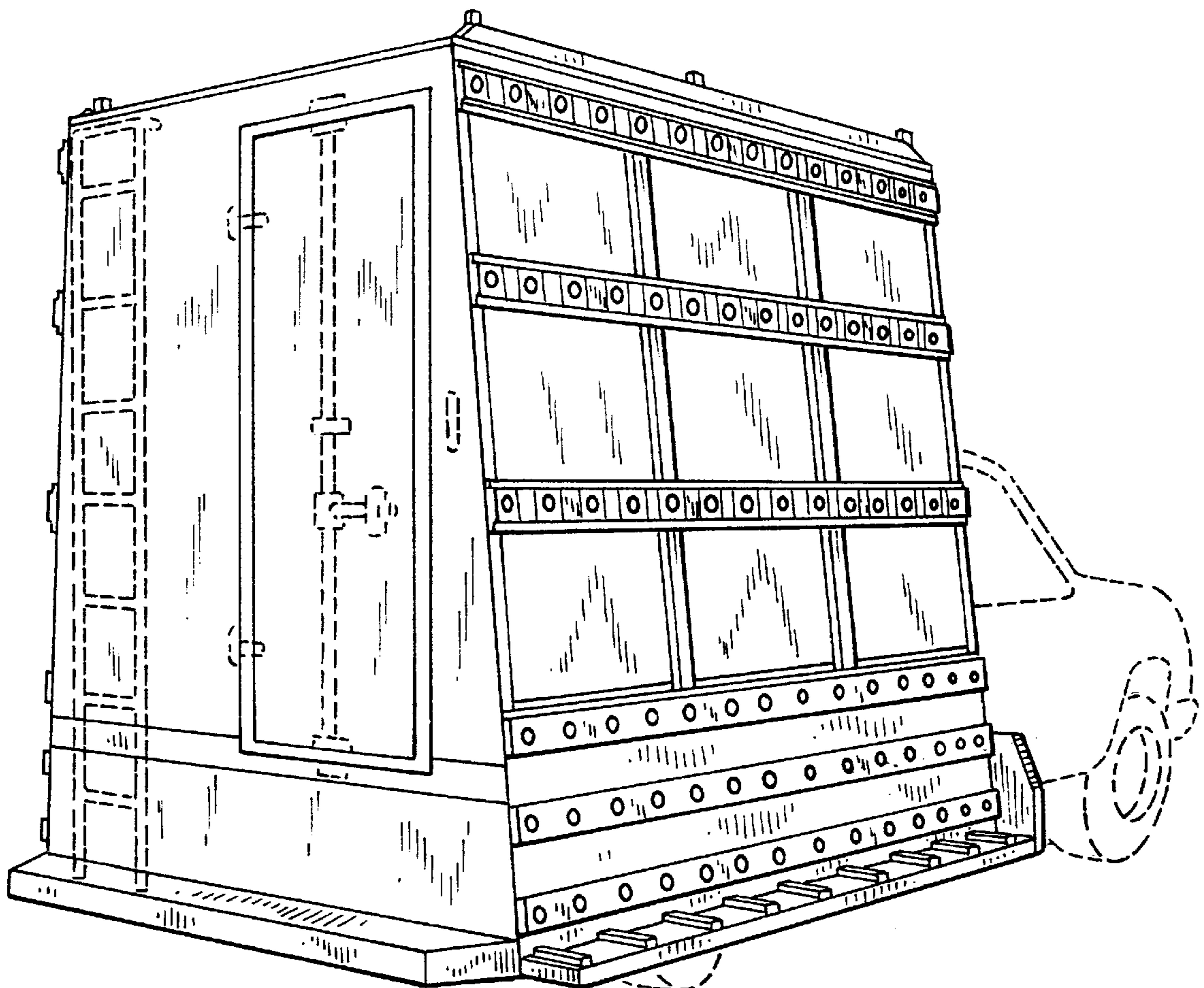
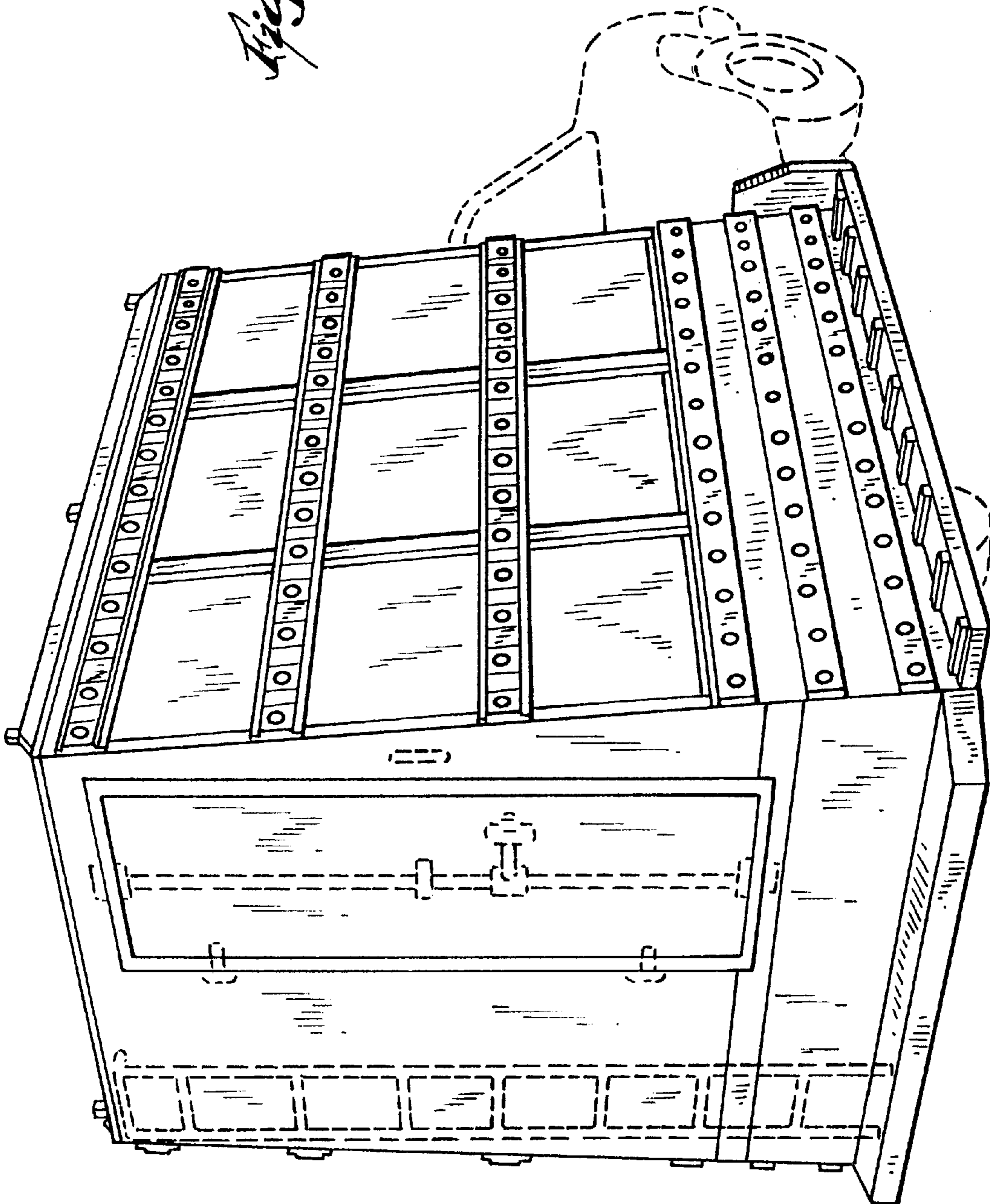


Fig. 1



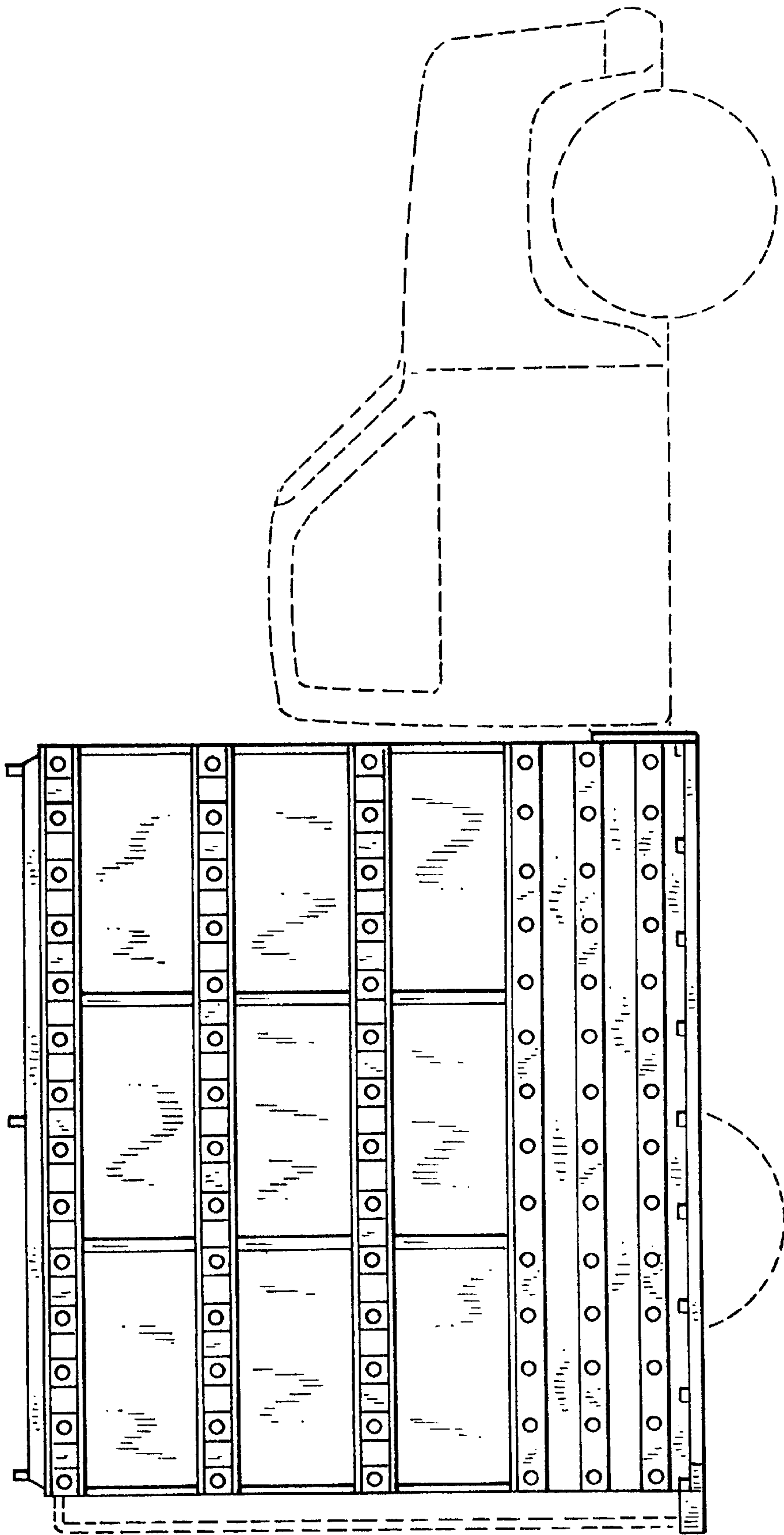
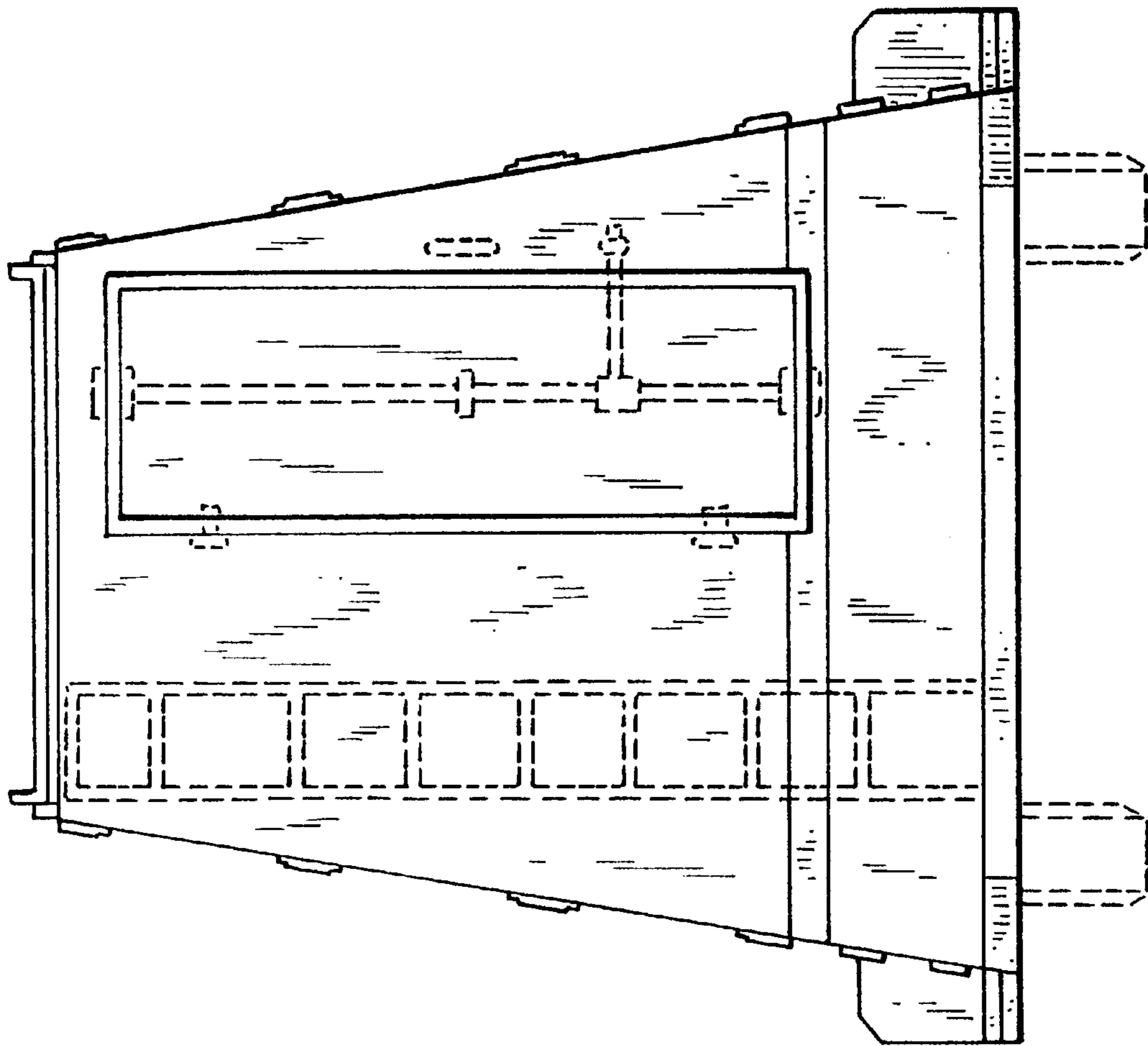


Fig. 2

3
[Handwritten signature]



4

Fig.

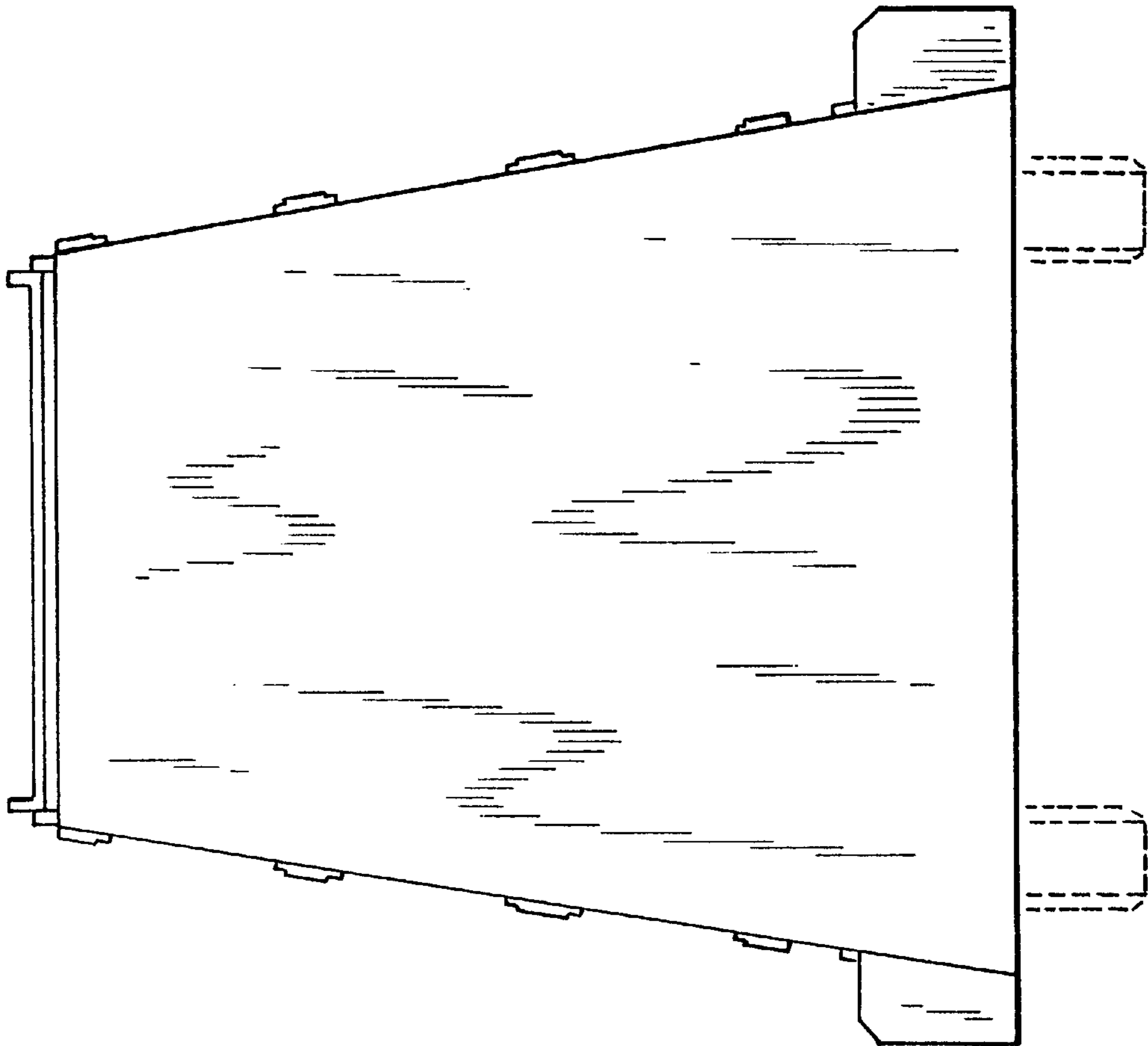


Fig. 5
5

