



US00D423446S

United States Patent [19] Chung

[11] Patent Number: Des. 423,446

[45] Date of Patent: ** Apr. 25, 2000

[54] AUTOMOTIVE WHEEL

[75] Inventor: Suny Chung, Placentia, Calif.

[73] Assignee: Prime Wheel Corporation, Harbor City, Calif.

[**] Term: 14 Years

[21] Appl. No.: 29/106,236

[22] Filed: Jun. 11, 1999

[51] LOC (6) Cl. 12-16

[52] U.S. Cl. D12/211

[58] Field of Search D12/204-213;
301/64.1, 65, 37.1

D. 403,649	1/1999	Moreno	D12/211
D. 408,777	4/1999	Chung	D12/211
D. 409,547	5/1999	Chung	D12/209
D. 409,548	5/1999	Chung	D12/209
D. 409,549	5/1999	Chung	D12/209
D. 409,550	5/1999	Chung	D12/209
D. 409,552	5/1999	Chung	D12/211
D. 409,966	5/1999	Chung	D12/209
D. 409,967	5/1999	Chung	D12/209
D. 409,969	5/1999	Chung	D12/211
D. 410,614	6/1999	Fitzgerald	D12/209
D. 412,148	7/1999	Fitzgerald	D12/209

Primary Examiner—Doris V. Coles
Assistant Examiner—Stacia Cadmus
Attorney, Agent, or Firm—Fulwider Patton Lee & Utecht, LLP

[56] **References Cited**

U.S. PATENT DOCUMENTS

D. 367,031	2/1996	Hubbach	D12/209
D. 375,073	10/1996	Theiss	D12/209
D. 377,471	1/1997	Stach	D12/209
D. 385,524	10/1997	Nagashima	D12/209
D. 392,237	3/1998	Kelley	D12/209
D. 392,930	3/1998	Embrador	D12/209
D. 395,863	7/1998	Sacco et al.	D12/211
D. 399,470	10/1998	Sacco et al.	D12/209
D. 403,648	1/1999	Feriero	D12/209

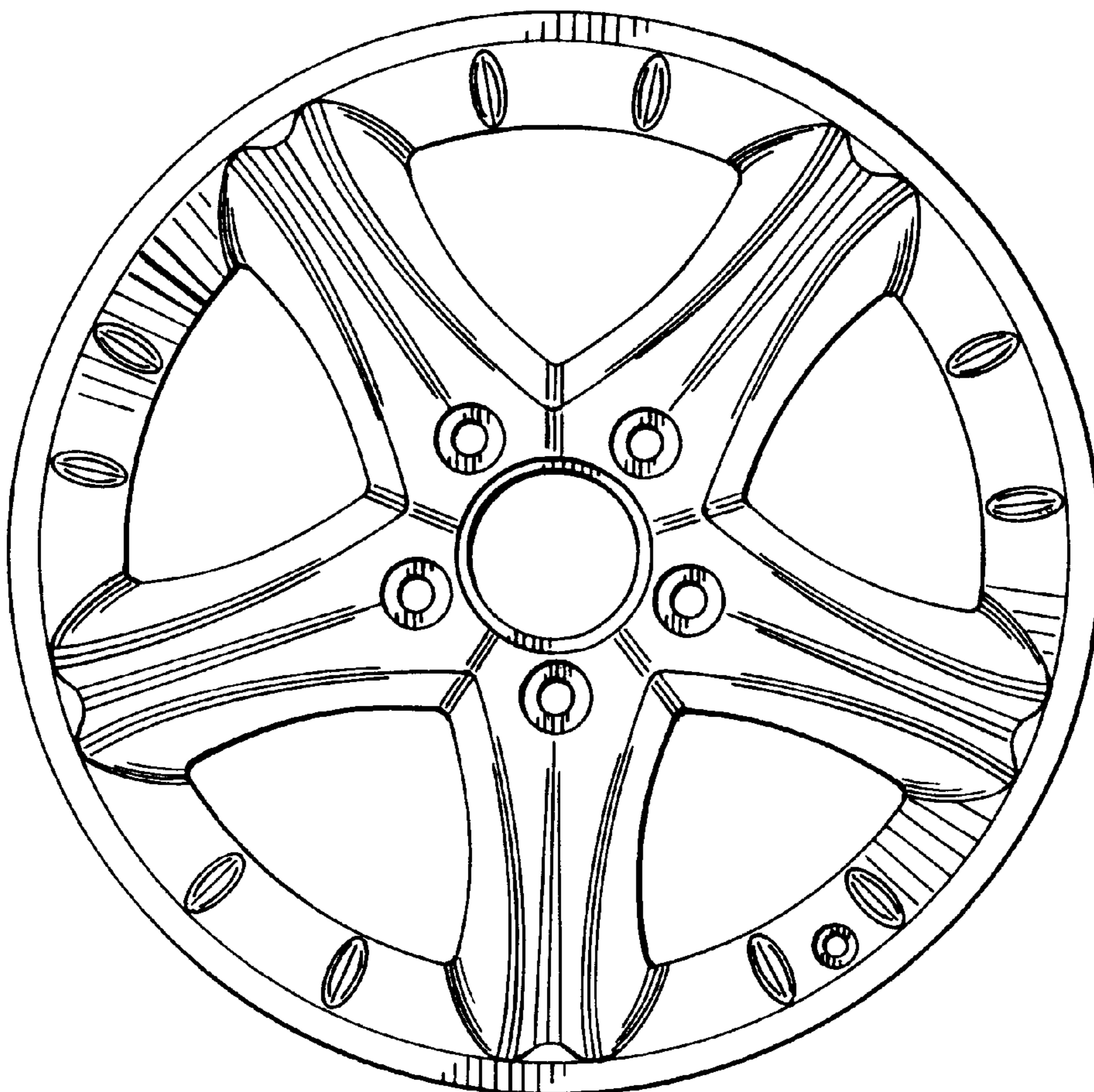
[57] **CLAIM**

The ornamental design for an automotive wheel, as shown and described.

DESCRIPTION

FIG. 1 is a perspective view of an automotive wheel showing my new design; FIG. 2 is a front view thereof; and, FIG. 3 is a left side view thereof.

1 Claim, 1 Drawing Sheet



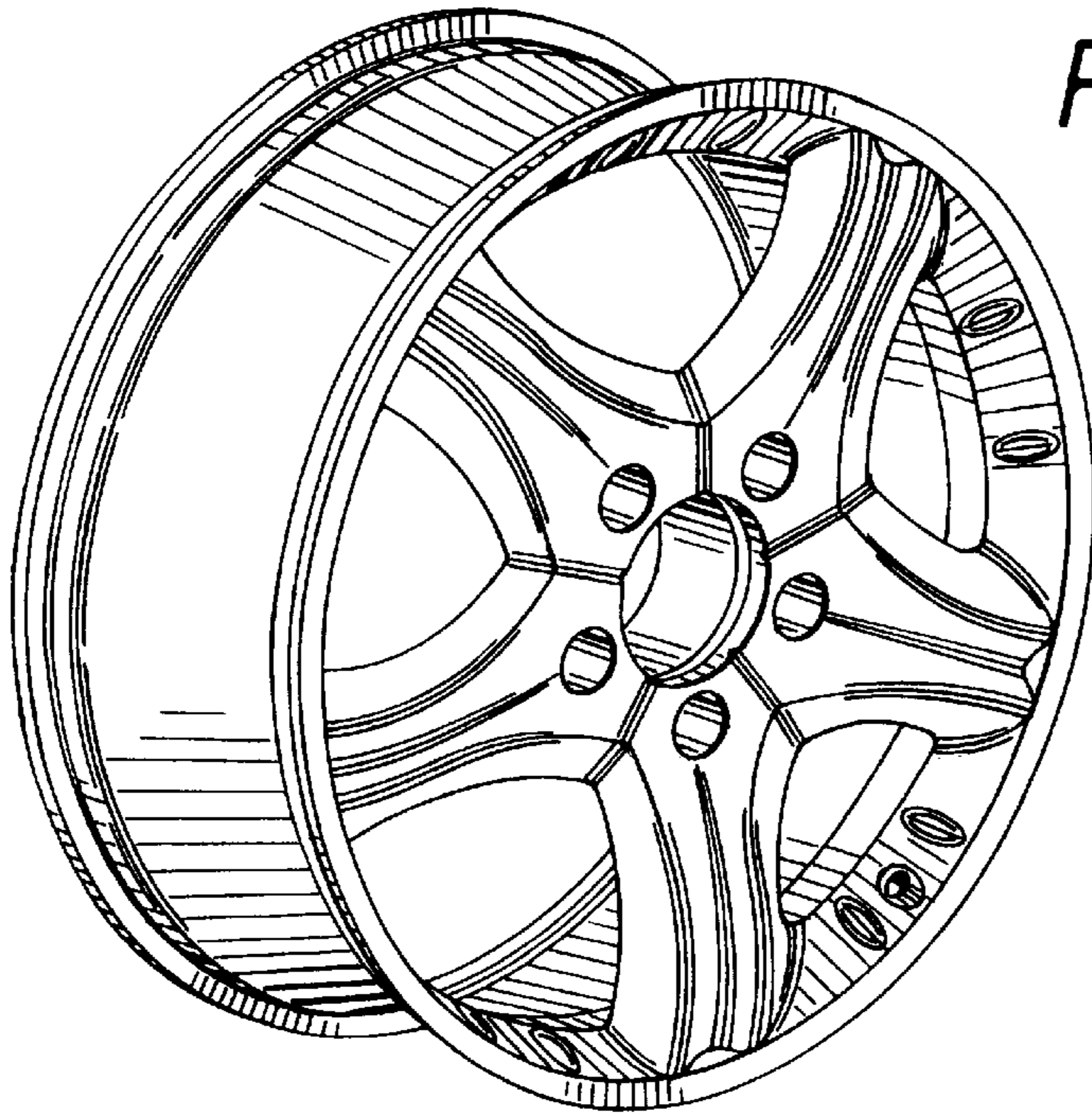


FIG. 1

FIG. 2

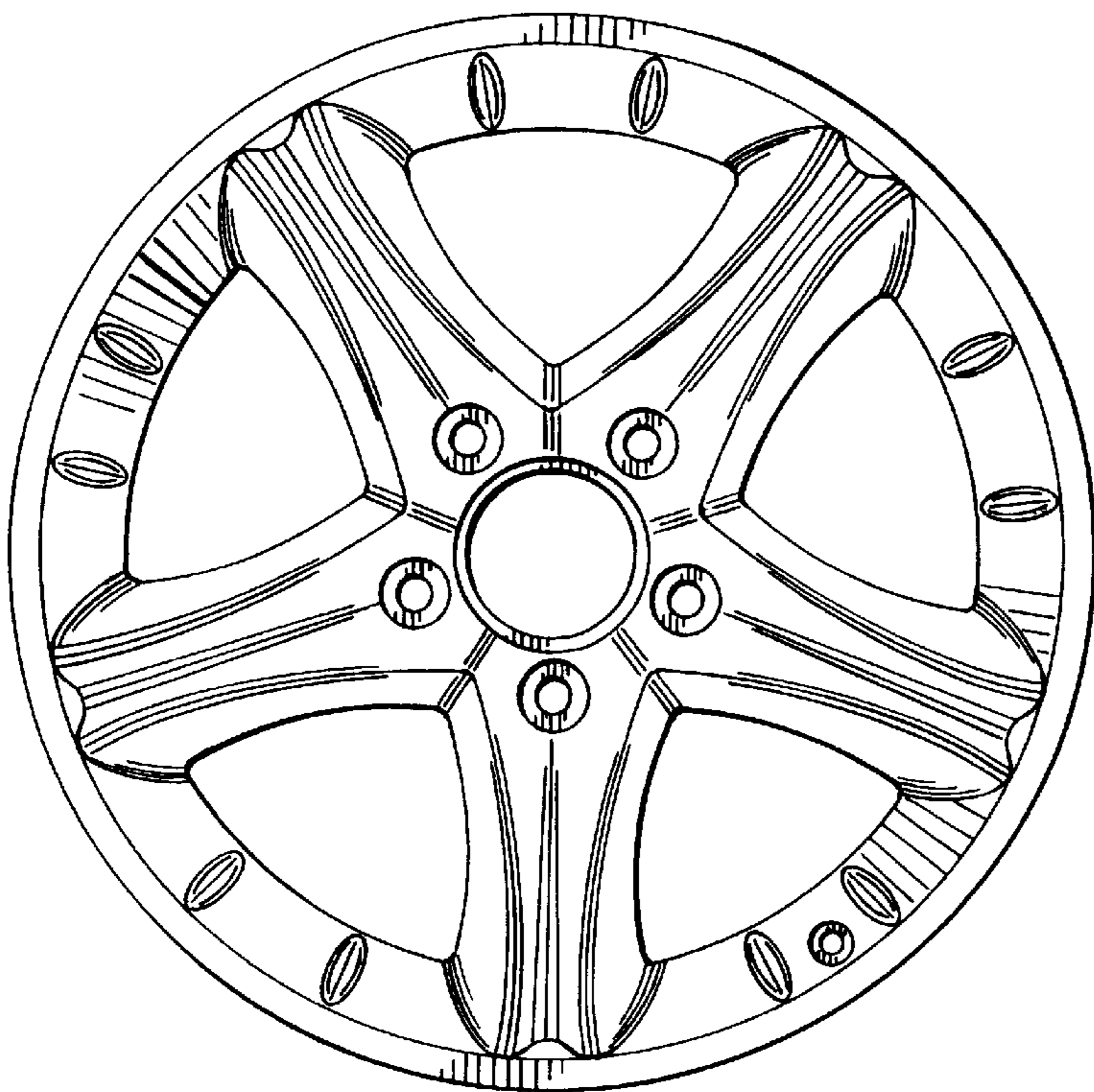


FIG. 3

