



US00D423445S

United States Patent [19] Baumgartner

[11] Patent Number: **Des. 423,445**

[45] Date of Patent: **** Apr. 25, 2000**

[54] **VEHICLE WHEEL RIM**

[75] Inventor: **Klaus Baumgartner**, Schenkenzell, Germany

[73] Assignee: **BBS Kraftfahr Zeugtechnik Aktiengesellschaft**, Schiltach, Germany

[**] Term: **14 Years**

[21] Appl. No.: **29/100,715**

[22] Filed: **Feb. 17, 1999**

[30] Foreign Application Priority Data

Oct. 12, 1998 [XH] Hague Agreement 126 847 601

[51] **LOC (6) Cl.** **12-16**

[52] **U.S. Cl.** **D12/211**

[58] **Field of Search** D12/204-213;
301/64.1, 65, 37.1

[56] References Cited

U.S. PATENT DOCUMENTS

D. 284,000	5/1986	Braungart	D12/211
D. 329,416	9/1992	Braungart et al.	D12/209
D. 333,648	3/1993	Schwenk	D12/209
D. 339,561	9/1993	Maiworm et al.	D12/211
D. 344,924	3/1994	Braungart et al.	D12/211
D. 352,688	11/1994	Boselli	D12/211
D. 353,571	12/1994	Braungart et al.	D12/211
D. 377,471	1/1997	Stach	D12/209
D. 398,898	9/1998	Baumgartner	D12/211

D. 405,749	2/1999	Kulla	D12/211
D. 407,057	3/1999	Goplen	D12/211
D. 408,346	4/1999	Goplen	D12/211

FOREIGN PATENT DOCUMENTS

74794	9/1994	Canada	.
DM/033 112	7/1994	WIPO	.
DM 034 821	1/1995	WIPO	.
DM/038 655	2/1996	WIPO	.
DM/037 771	10/1996	WIPO	.
DM/042 964	2/1998	WIPO	.

Primary Examiner—Doris V. Coles
Assistant Examiner—Stacia Cadmus
Attorney, Agent, or Firm—Foley, Hoag & Eliot LLP

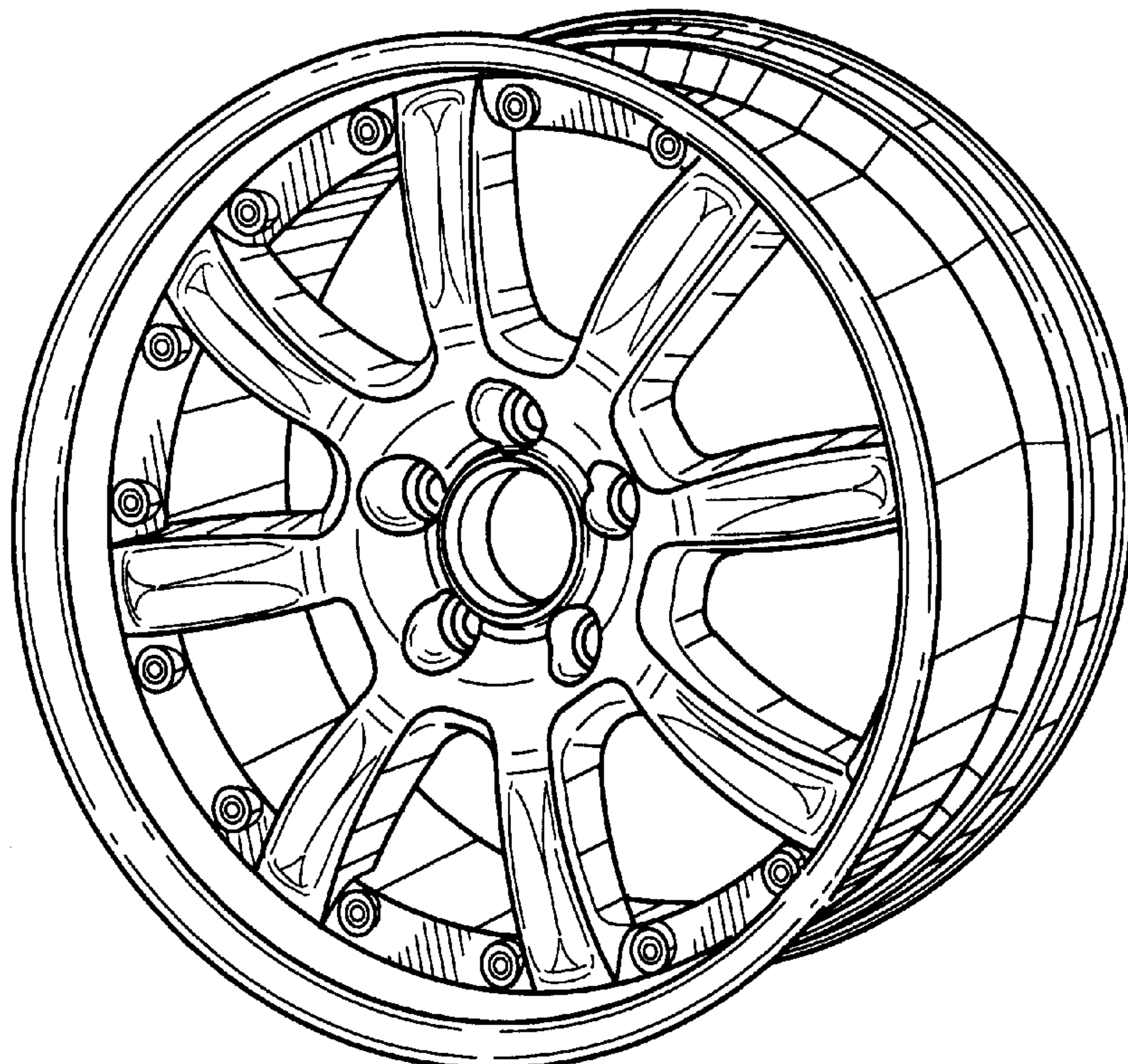
[57] CLAIM

The ornamental design for a vehicle wheel rim, as shown and described.

DESCRIPTION

FIG. 1 is a perspective view of the wheel rim according to the new design;
FIG. 2 is another perspective view thereof;
FIG. 3 is an enlarged front view of a portion thereof;
FIG. 4 is a front view thereof;
FIG. 5 is a side view thereof, the undisclosed opposite side being identical;
FIG. 6 is back view thereof; and,
FIG. 7 is a back perspective view thereof.

1 Claim, 7 Drawing Sheets



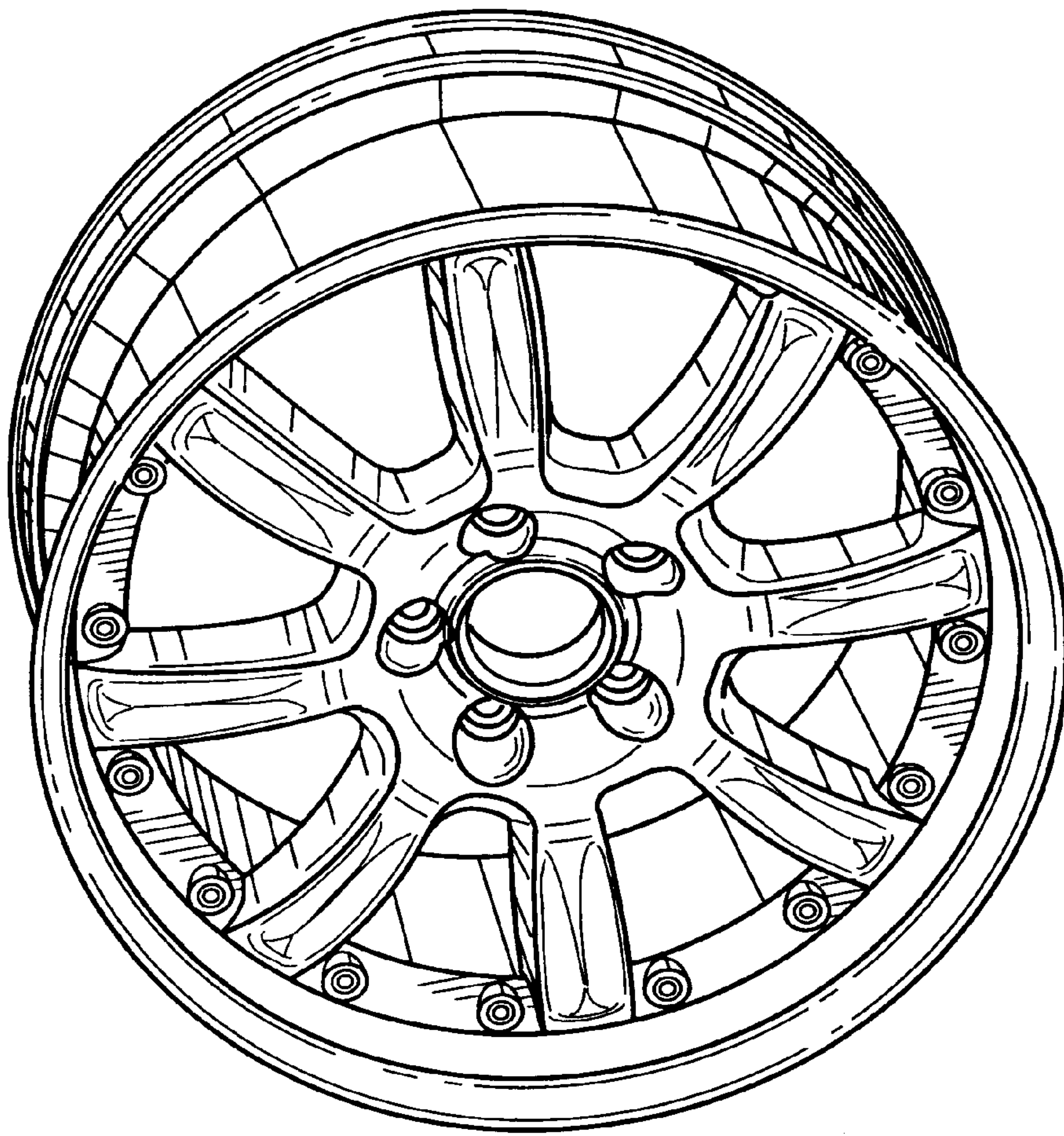


FIG. 1

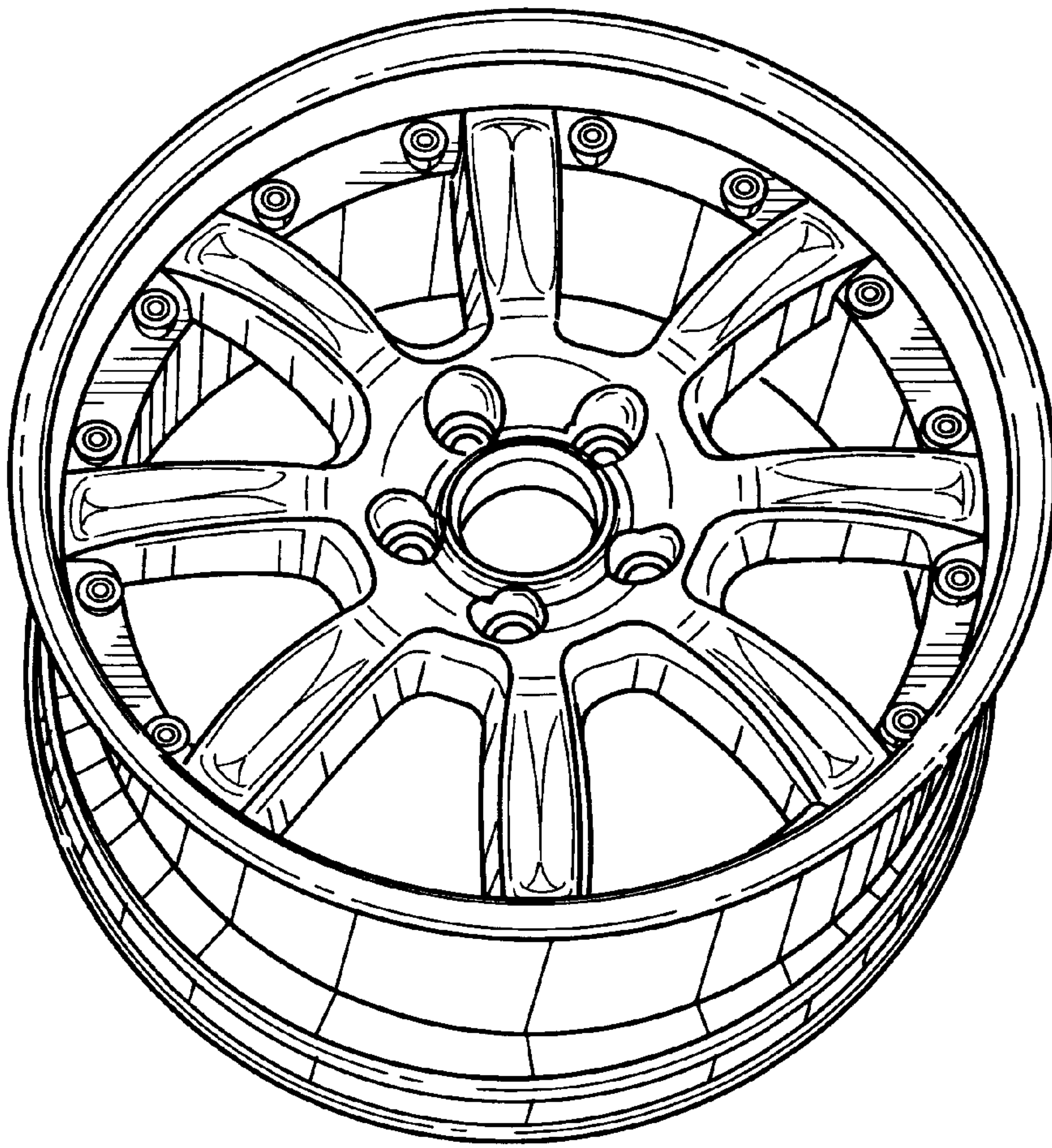


FIG. 2

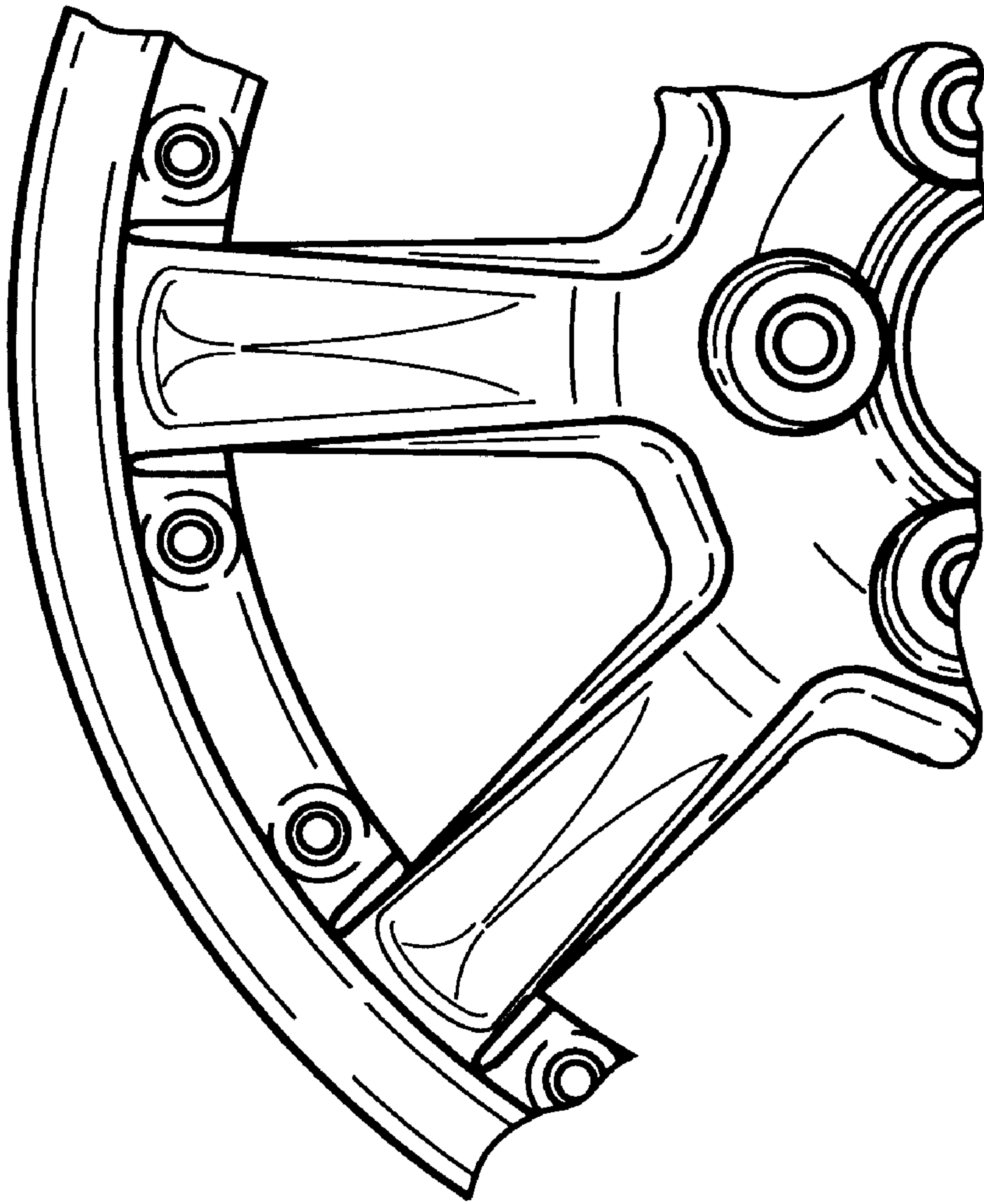


FIG. 3

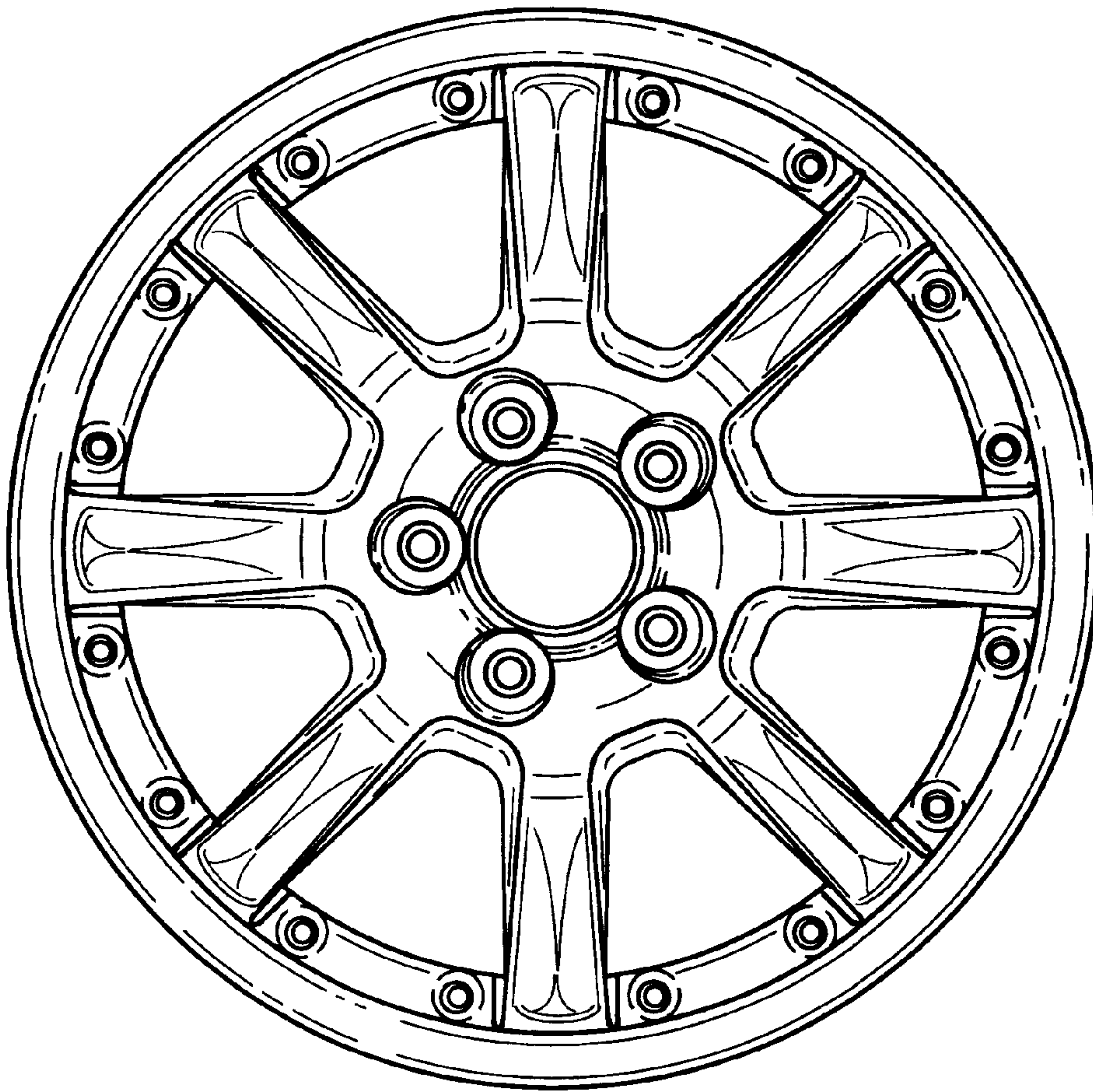


FIG. 4

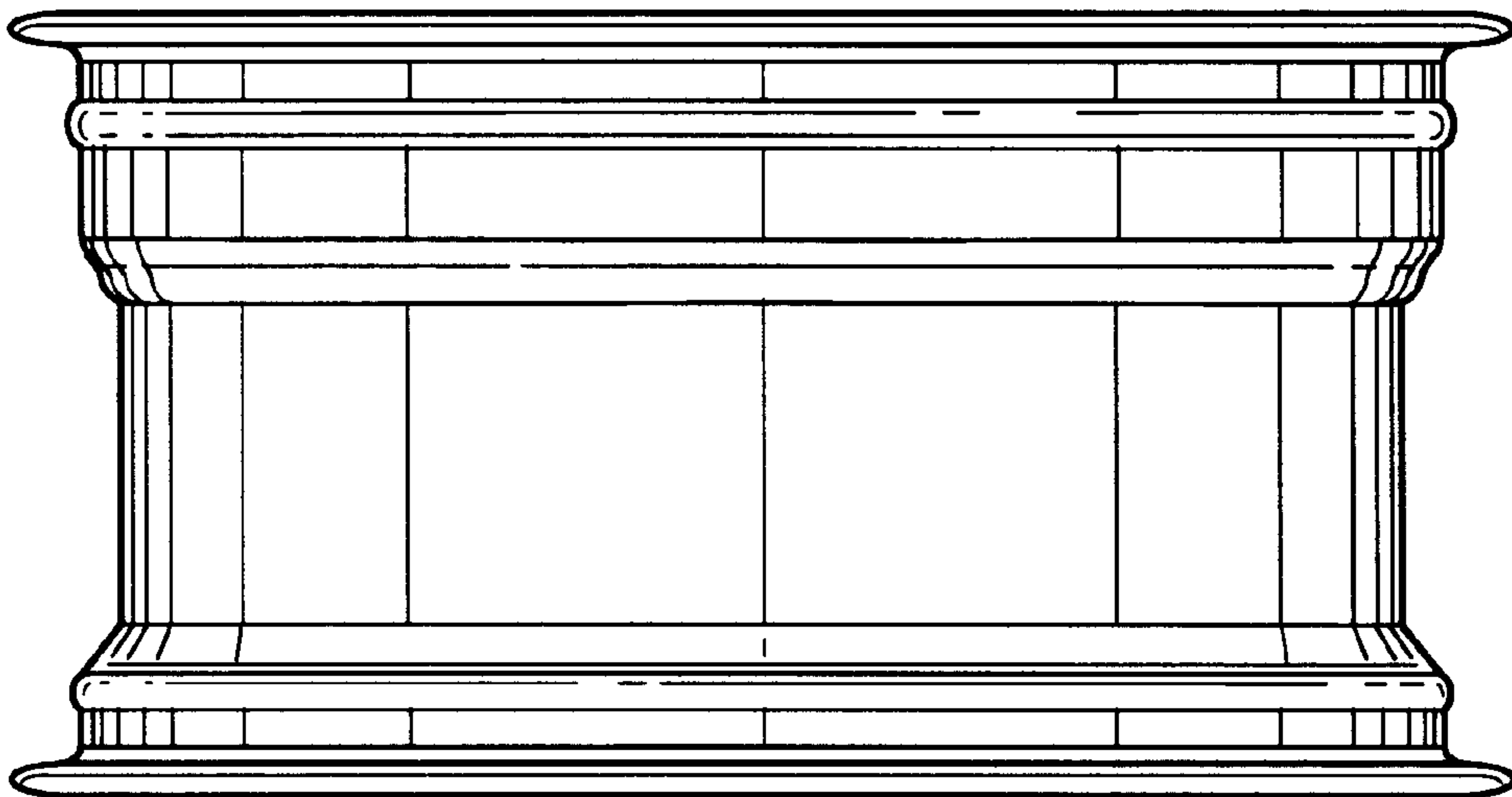


FIG. 5

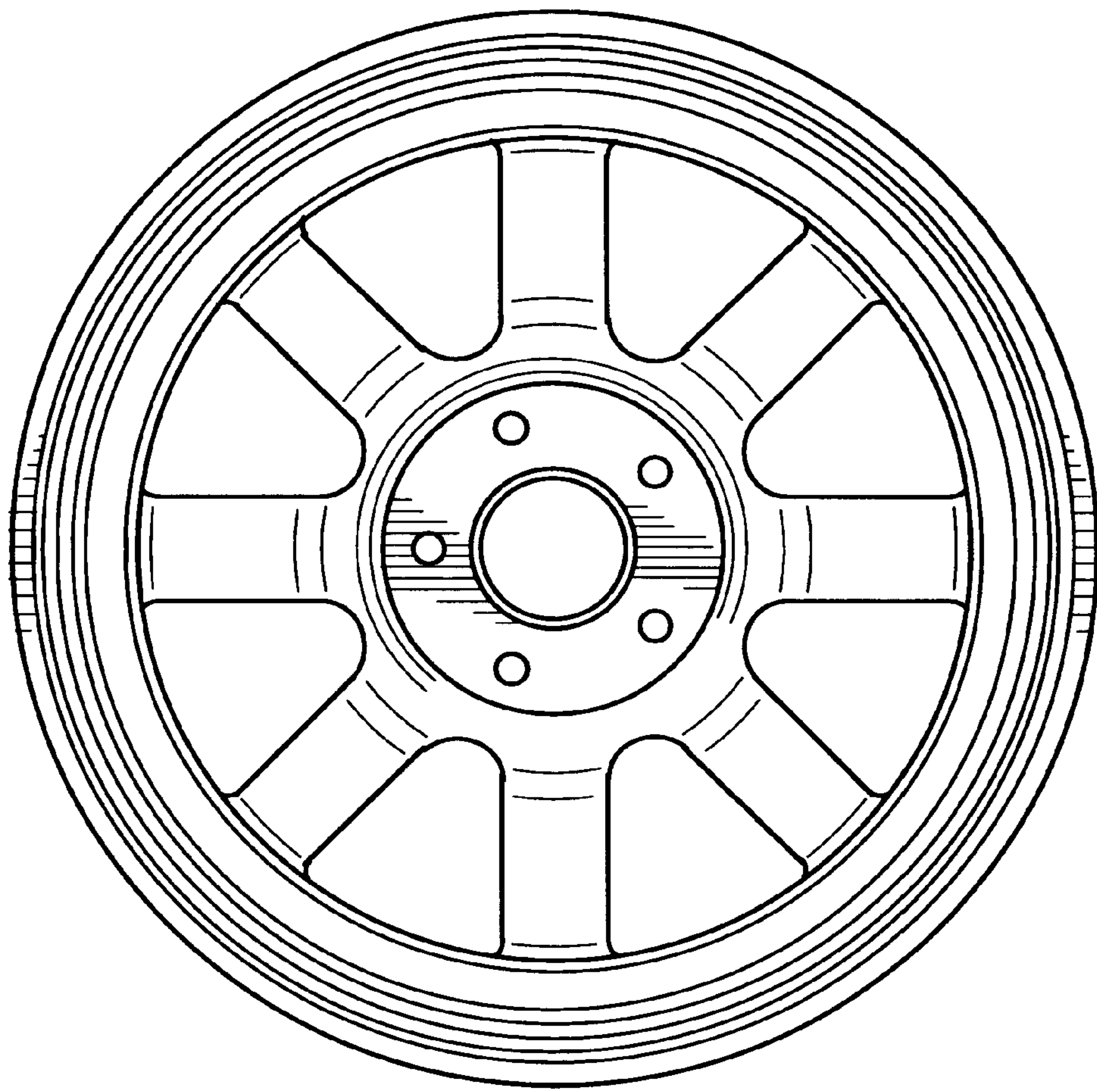


FIG. 6

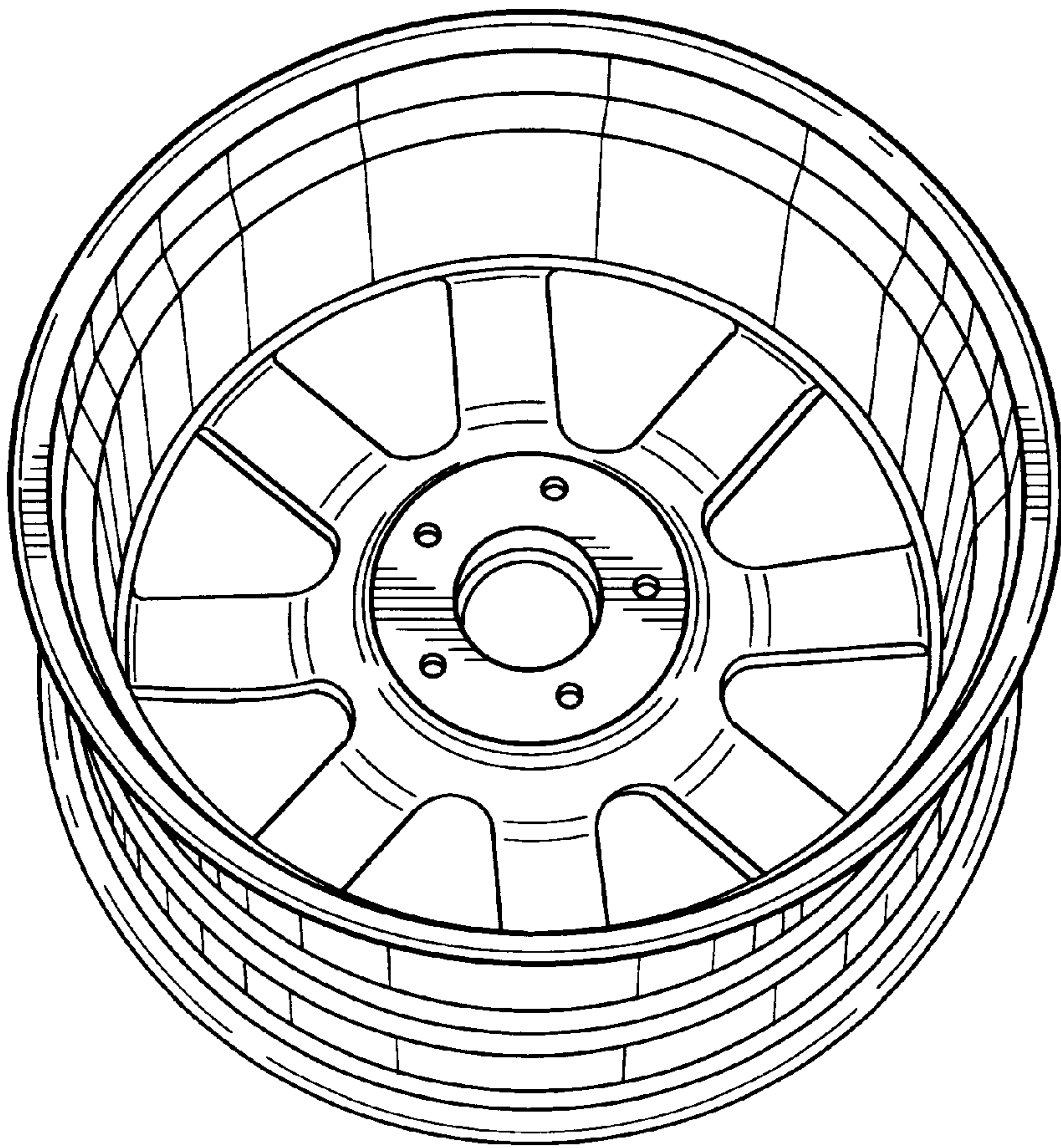


FIG. 7