



US00D423441S

**United States Patent** [19]  
**Bildhaeuser**

[11] **Patent Number: Des. 423,441**

[45] **Date of Patent: \*\* Apr. 25, 2000**

[54] **FRONT FACE OF A VEHICLE WHEEL**

[75] Inventor: **Hans-Peter Bildhaeuser**, Aidlingen,  
Germany

[73] Assignee: **DaimlerChrysler AG**, Germany

[\*\*] Term: **14 Years**

[21] Appl. No.: **29/099,420**

[22] Filed: **Jan. 21, 1999**

[30] **Foreign Application Priority Data**

Jul. 21, 1998 [DE] Germany ..... 4 98 07 299

[51] **LOC (6) Cl.** ..... **12-16**

[52] **U.S. Cl.** ..... **D12/209**

[58] **Field of Search** ..... D12/204-213;  
301/64.1, 65, 37.1

[56] **References Cited**

**U.S. PATENT DOCUMENTS**

- D. 367,030 2/1996 Bouldoukian ..... D12/209
- D. 408,774 4/1999 Nishida ..... D12/209
- D. 409,969 5/1999 Chung ..... D12/211
- D. 410,614 6/1999 Fitzgerald ..... D12/209

- D. 411,159 6/1999 Neeper ..... D12/211
- D. 416,846 11/1999 Melegari et al. .... D12/209
- D. 416,848 11/1999 Bernoni ..... D12/209

**OTHER PUBLICATIONS**

Custom Wheel & Tire Style Guide, p. 35, See "L.A. Prowler Wheel", May 1993.

*Primary Examiner*—Doris V. Coles  
*Assistant Examiner*—Stacia Cadmus  
*Attorney, Agent, or Firm*—Evenson, McKeown, Edwards & Lenahan, P.L.L.C.

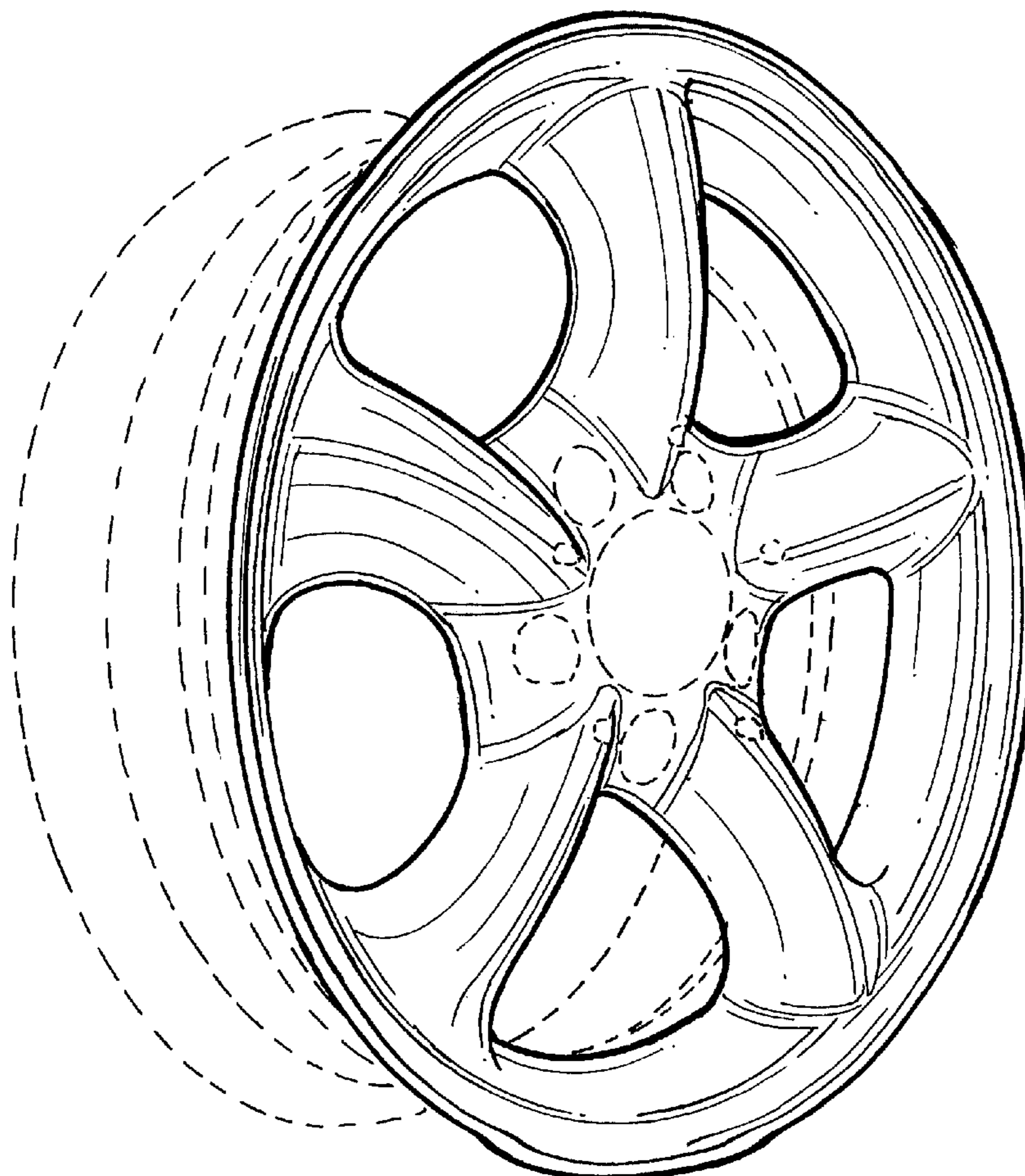
[57] **CLAIM**

The ornamental design for a front face of a vehicle wheel, as shown and described.

**DESCRIPTION**

FIG. 1 is a front view of a front face of a vehicle wheel according to my novel design; and, FIG. 2 is a perspective view from the front side of a front face of a vehicle wheel according to my novel design. The dash line included depicts environment and is not part of the claimed design.

**1 Claim, 1 Drawing Sheet**



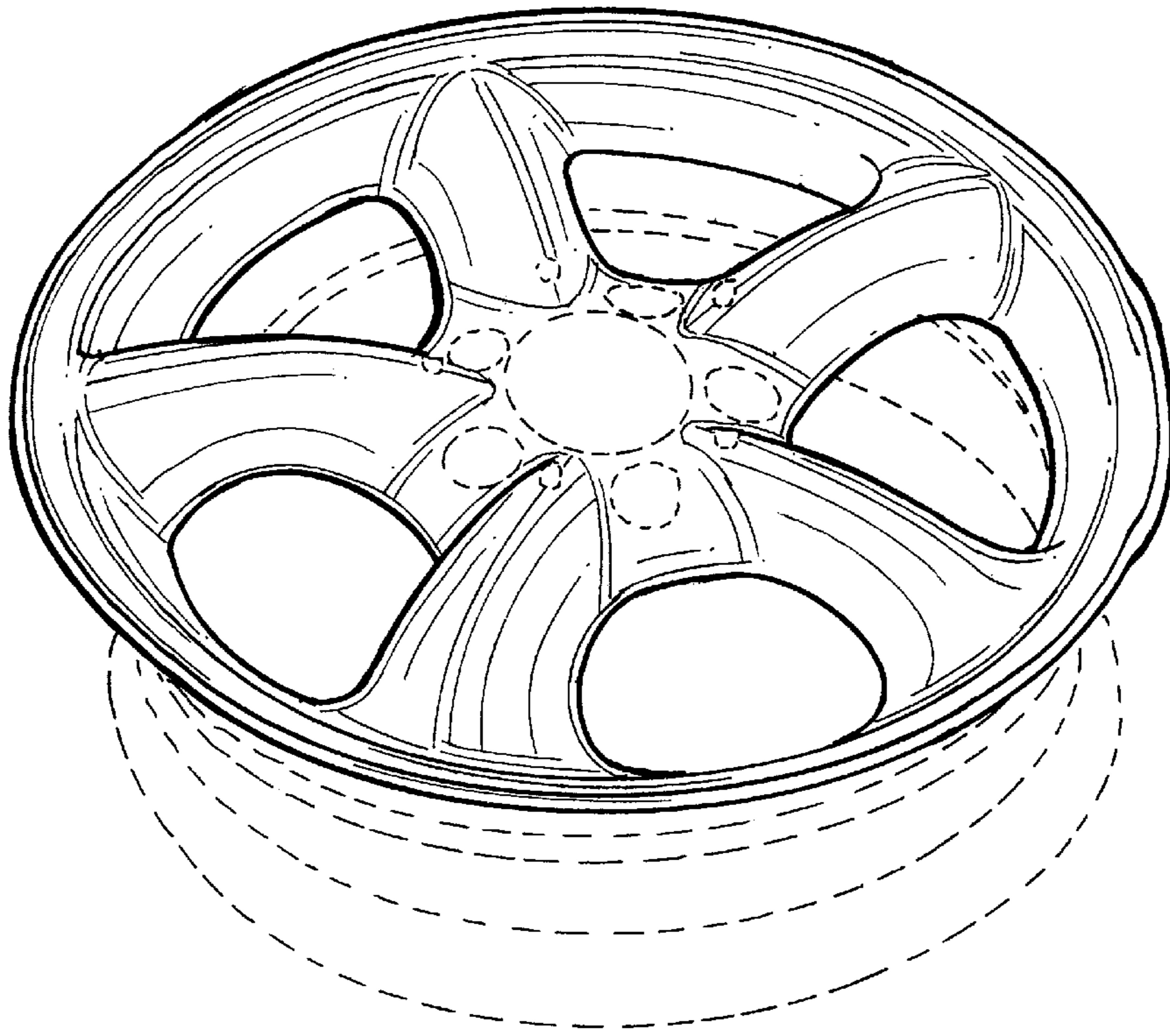


FIG. 2

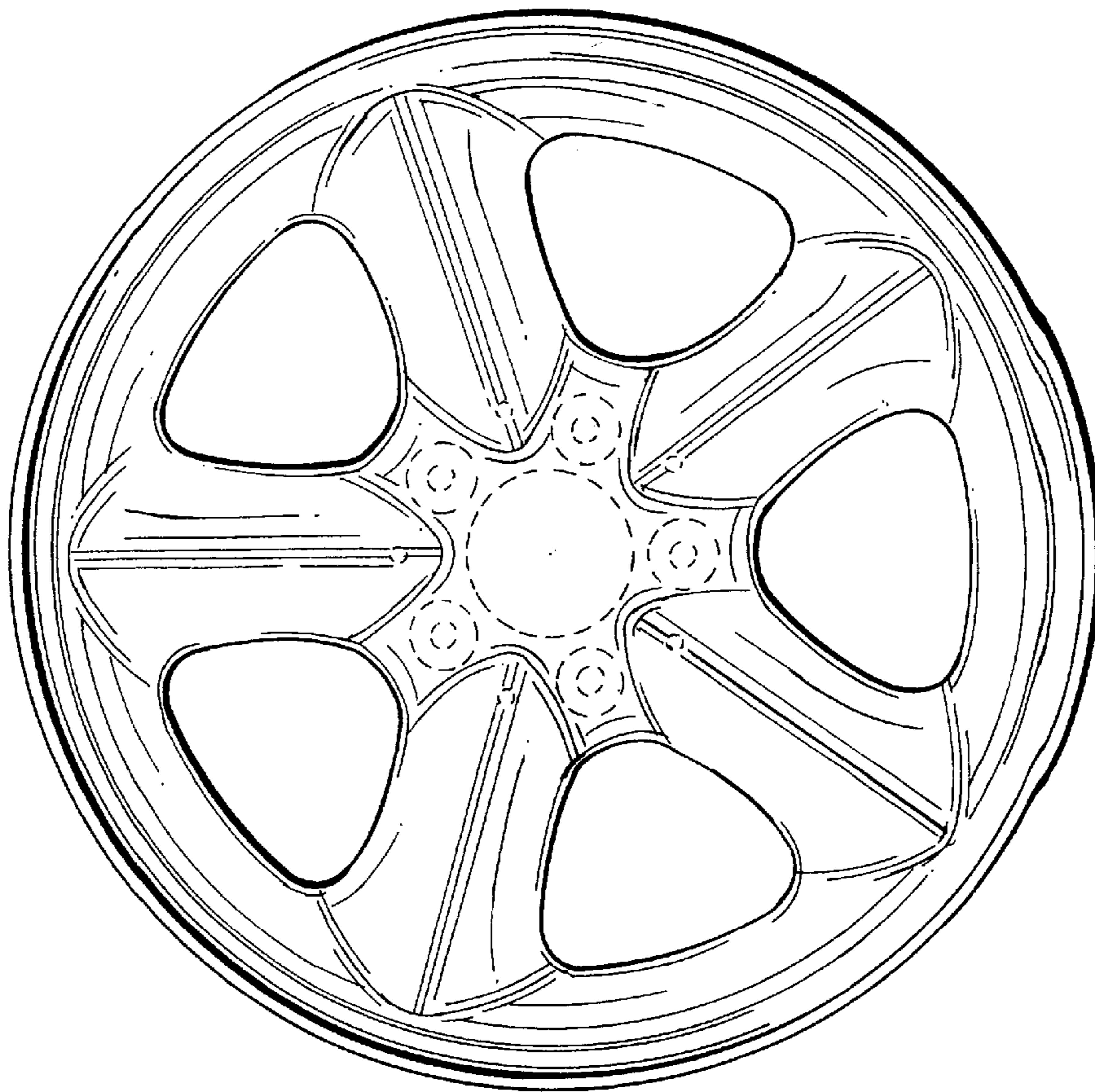


FIG. 1