



US00D423438S

United States Patent [19] Shimazu

[11] Patent Number: Des. 423,438

[45] Date of Patent: ** Apr. 25, 2000

[54] FRONT PORTION OF A MOTOR VEHICLE

[75] Inventor: Yutaka Shimazu, Aki-gun, Japan

[73] Assignee: Mazda Motor Corporation,
Hiroshima-Ken, Japan

[**] Term: 14 Years

[21] Appl. No.: 29/102,785

[22] Filed: Mar. 31, 1999

[51] LOC (6) Cl. 12-16

[52] U.S. Cl. D12/196

[58] Field of Search D12/196, 169,
D12/90-92; 296/185

[56] References Cited

U.S. PATENT DOCUMENTS

- D. 373,331 9/1996 Ohkura et al. D12/91
- D. 402,319 12/1998 Fu D12/91
- D. 403,989 1/1999 Honita et al. D12/91
- D. 406,795 3/1999 Nagura et al. D12/91
- D. 407,349 3/1999 Murakama et al. D12/91

FOREIGN PATENT DOCUMENTS

988398 5/1997 Japan .

Primary Examiner—Melody N. Brown
Attorney, Agent, or Firm—Sidley & Austin; Hugh A. Abrams

[57] CLAIM

The ornamental design for a front portion of a motor vehicle, as shown and described.

DESCRIPTION

FIG. 1 is a perspective view of a first front portion of a motor vehicle;
 FIG. 2 is a front view of the first front portion;
 FIG. 3 is a rear view of the motor vehicle;
 FIG. 4 is a left side view of the first front portion;
 FIG. 5 is a right side view of the first front portion;
 FIG. 6 is a top view of the first front portion;
 FIG. 7 is a perspective view of a second front portion of a motor vehicle;
 FIG. 8 is a front view of the second front portion;
 FIG. 9 is a rear view of the second front portion;
 FIG. 10 is a left side view of the second front portion;
 FIG. 11 is a right side view of the second front portion;
 FIG. 12 is a top view of the second front portion;
 FIG. 13 is a perspective view of a third front portion of a motor vehicle;
 FIG. 14 is a front view of the third front portion;
 FIG. 15 is a rear view of the third front portion;
 FIG. 16 is a left side view of the third front portion;
 FIG. 17 is a right side view of the third front portion; and,
 FIG. 18 is a top view of the third front portion.

The portion of the motor vehicle shown in broken lines is for illustrative purpose only and forms no part of the claimed design.

1 Claim, 15 Drawing Sheets

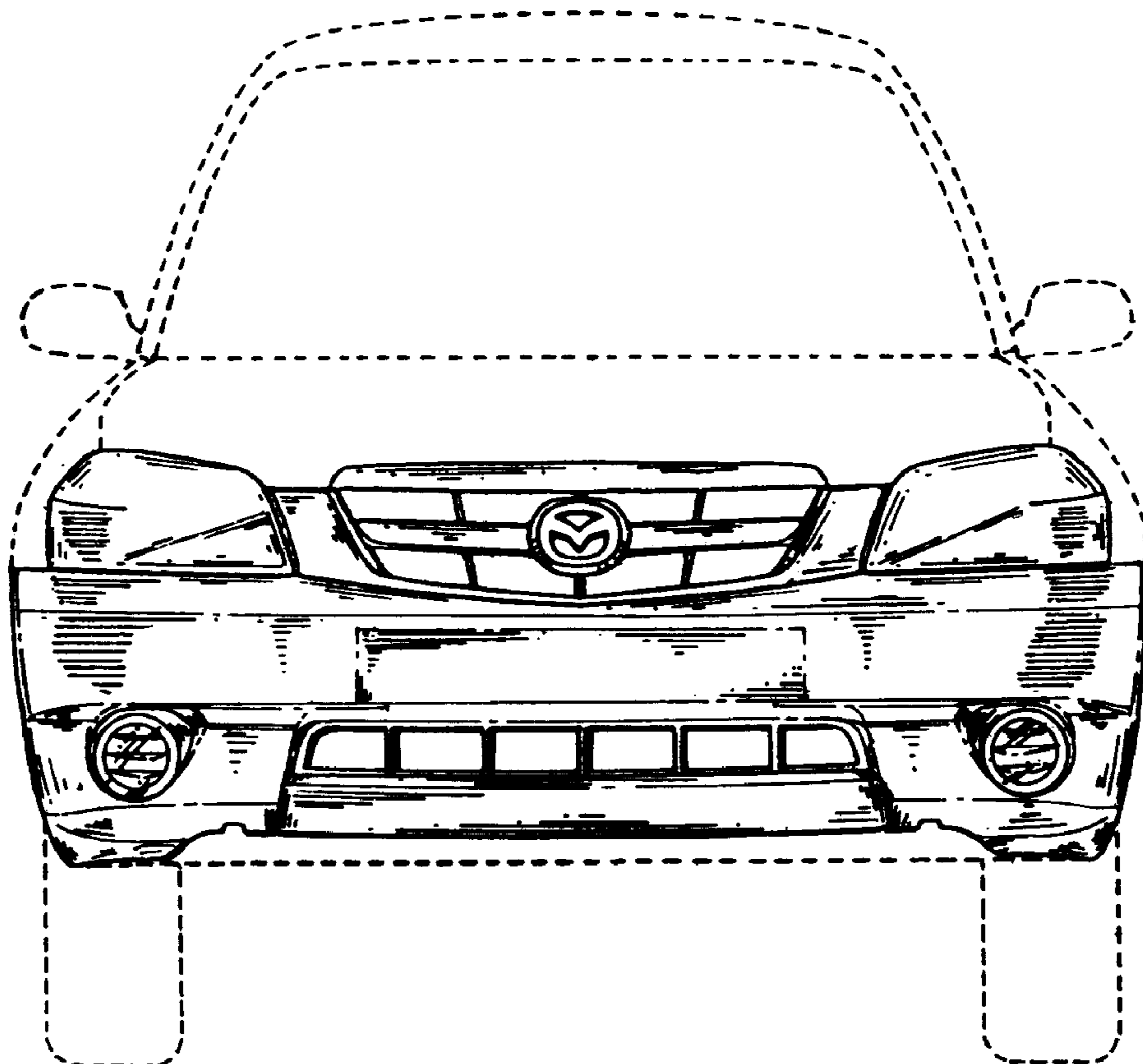


FIG. 1

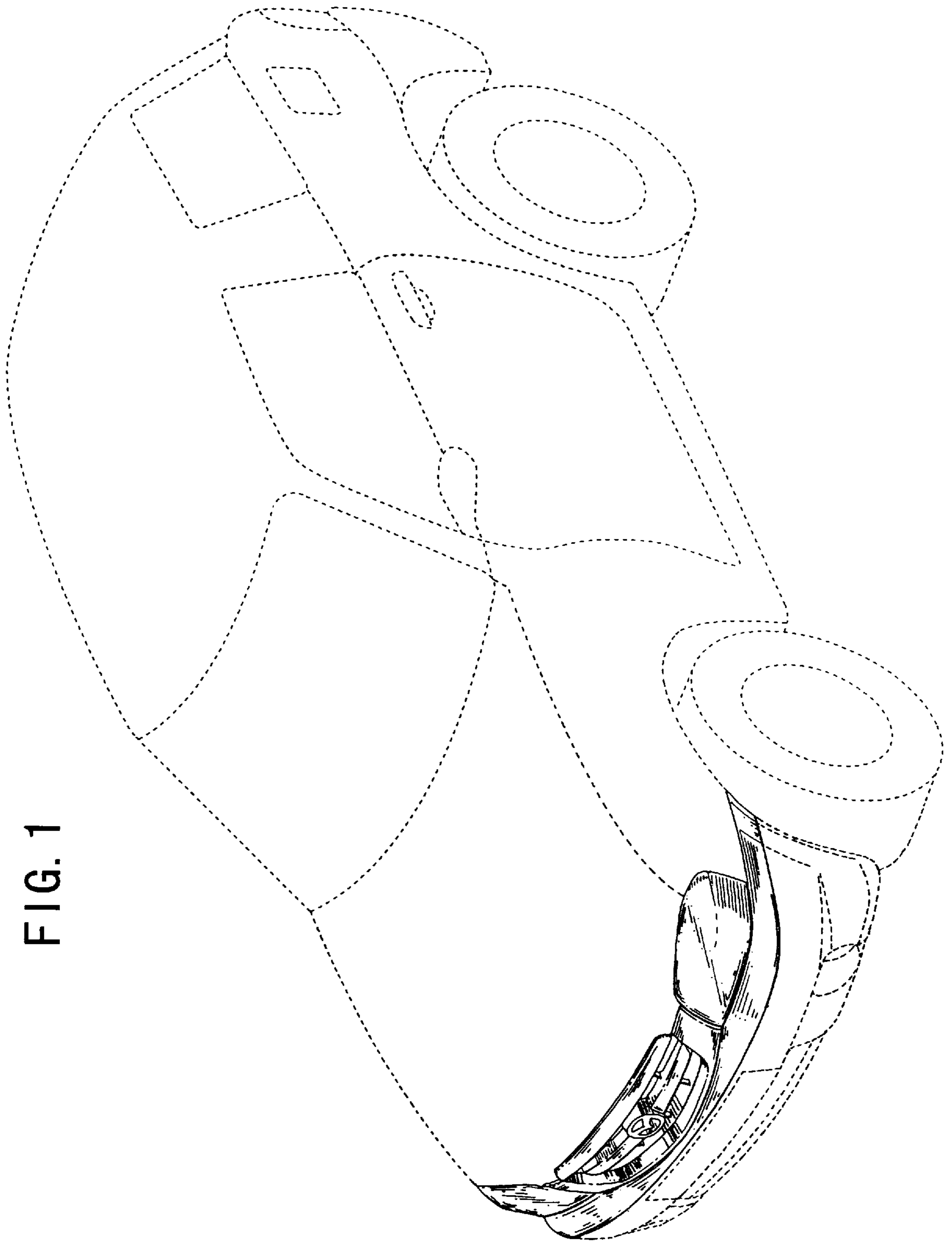


FIG. 2

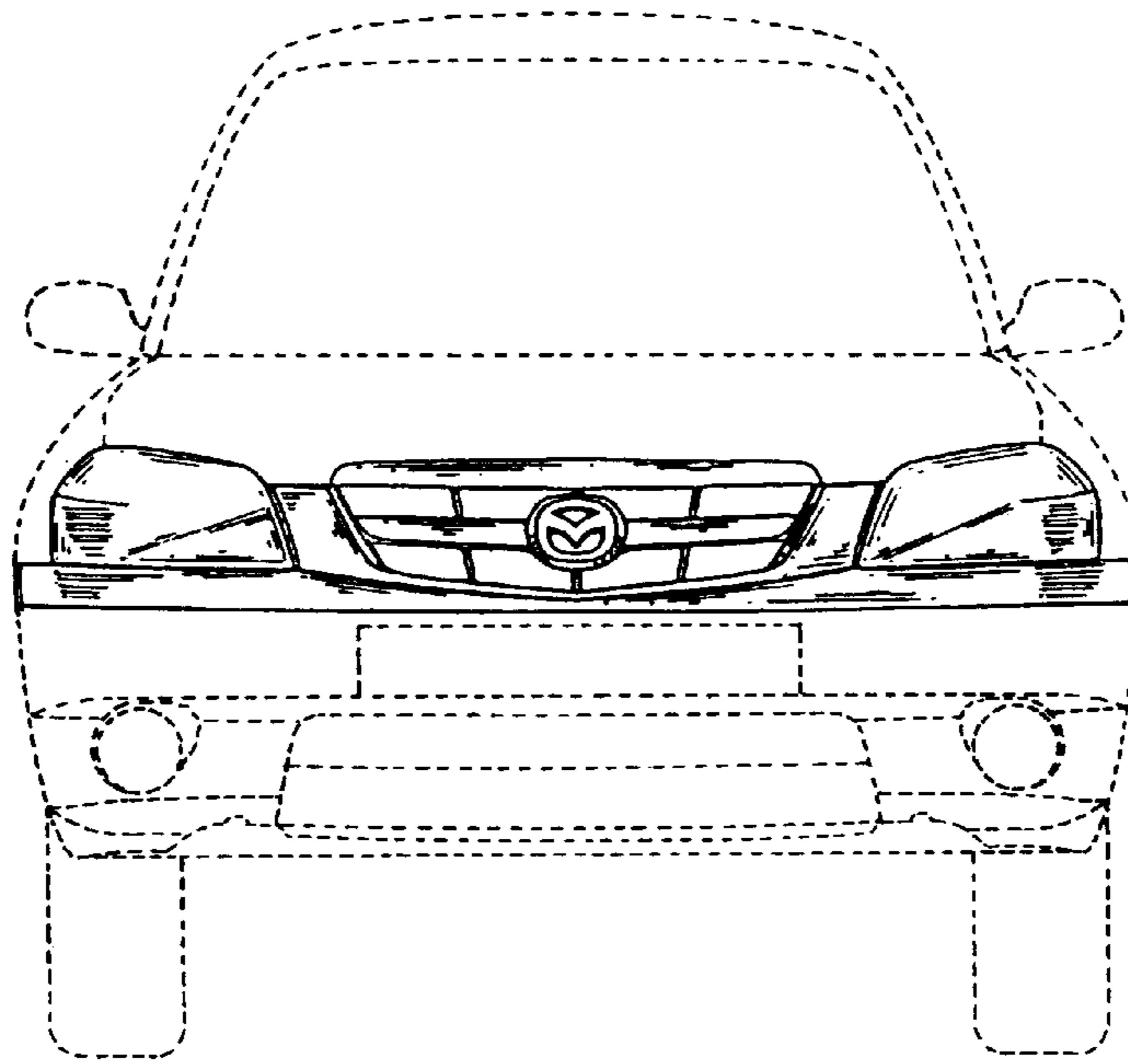


FIG. 3

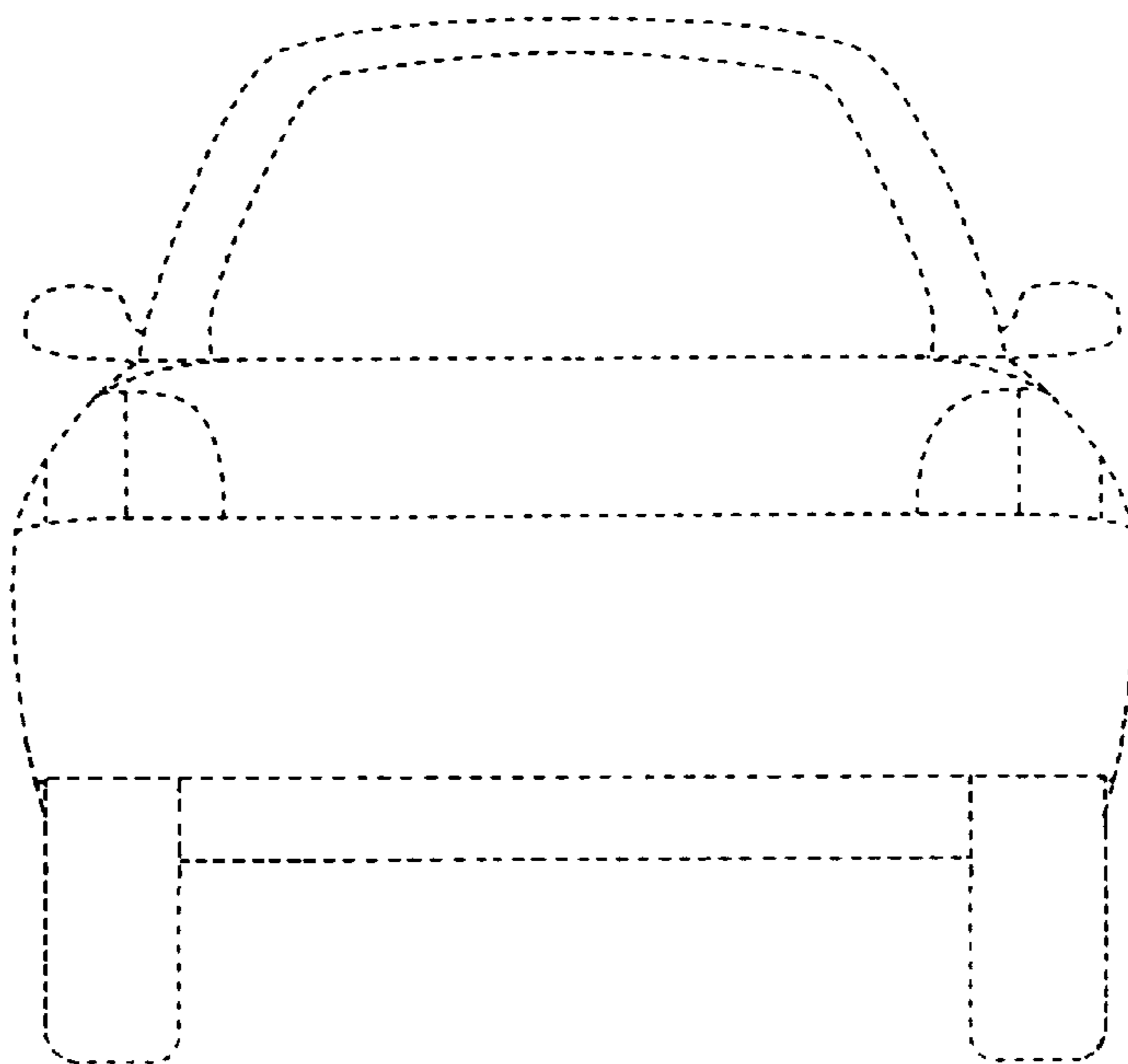


FIG. 4

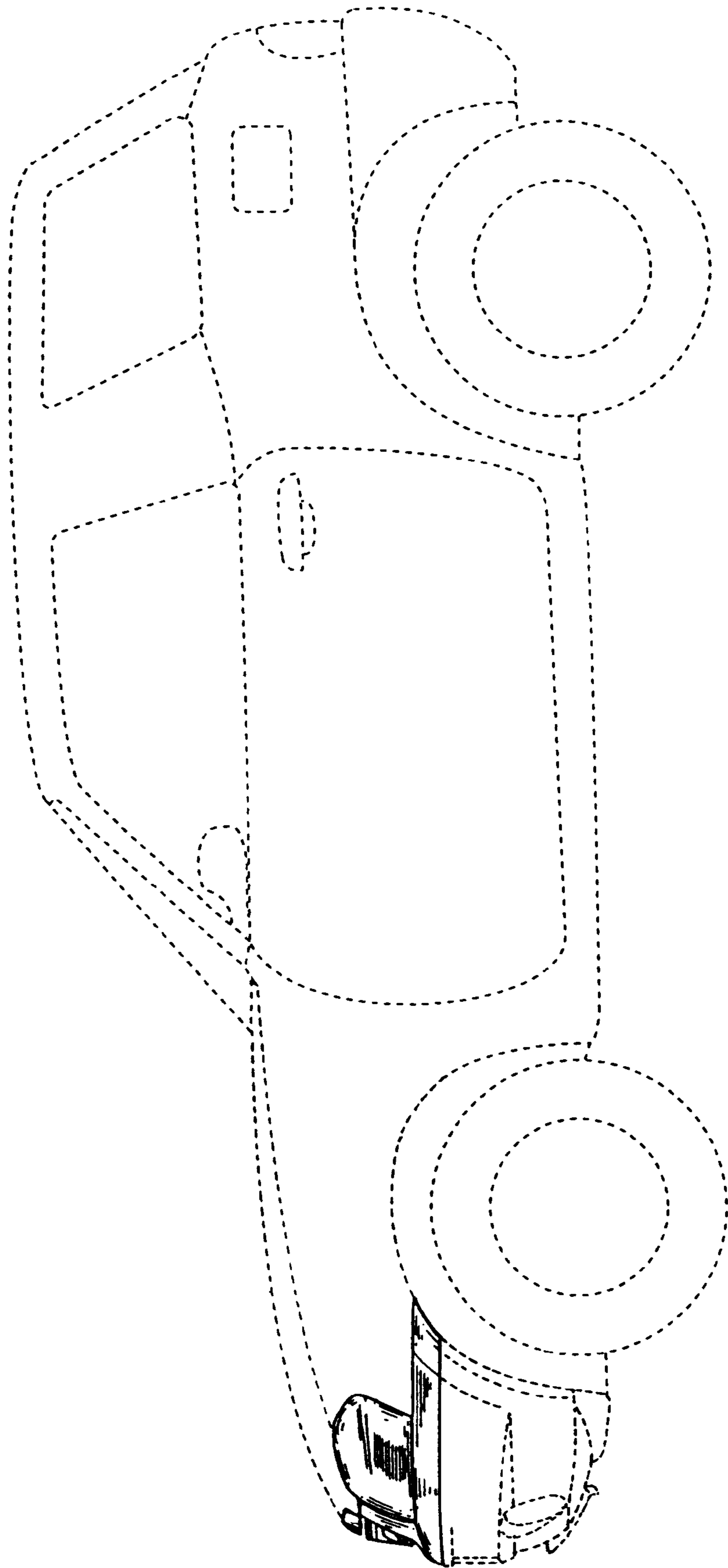


FIG. 5

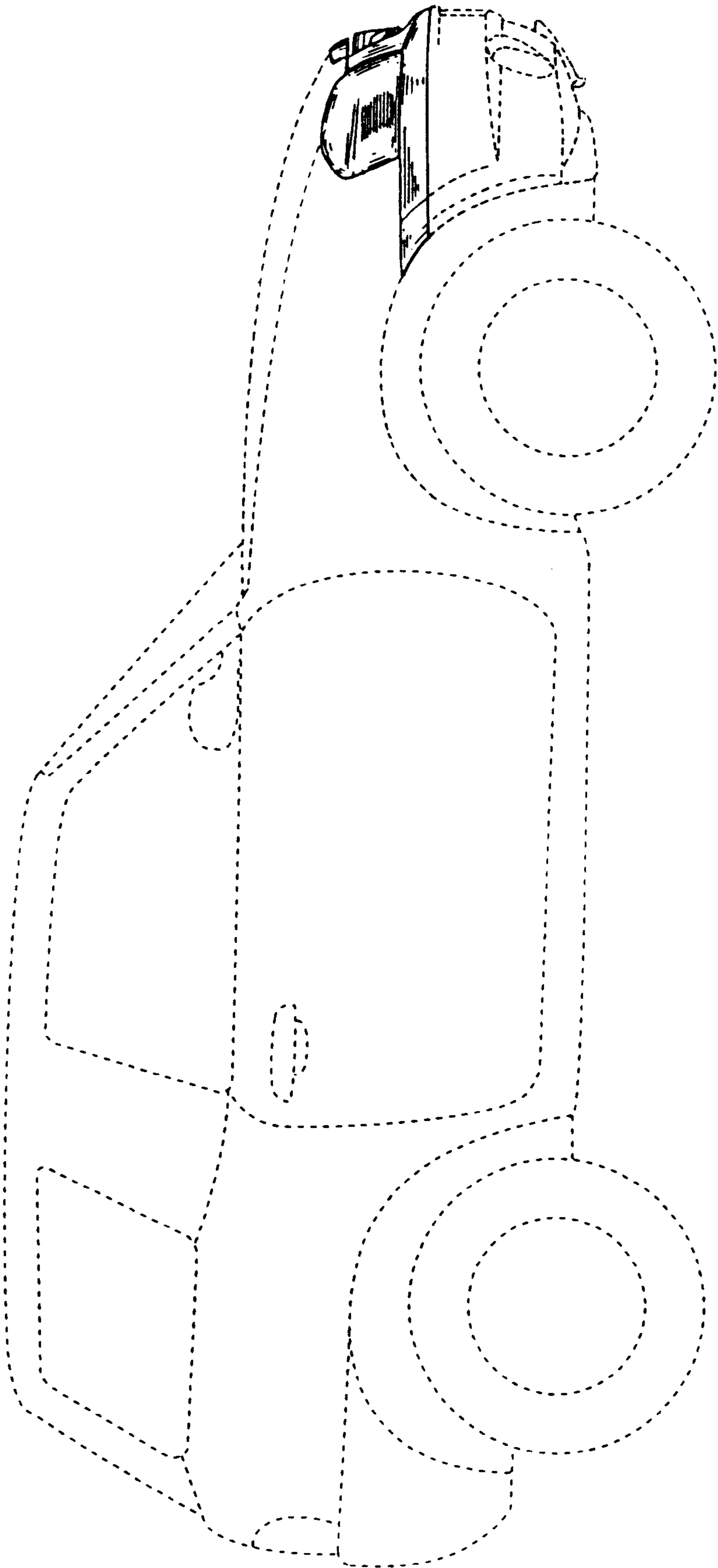


FIG. 6

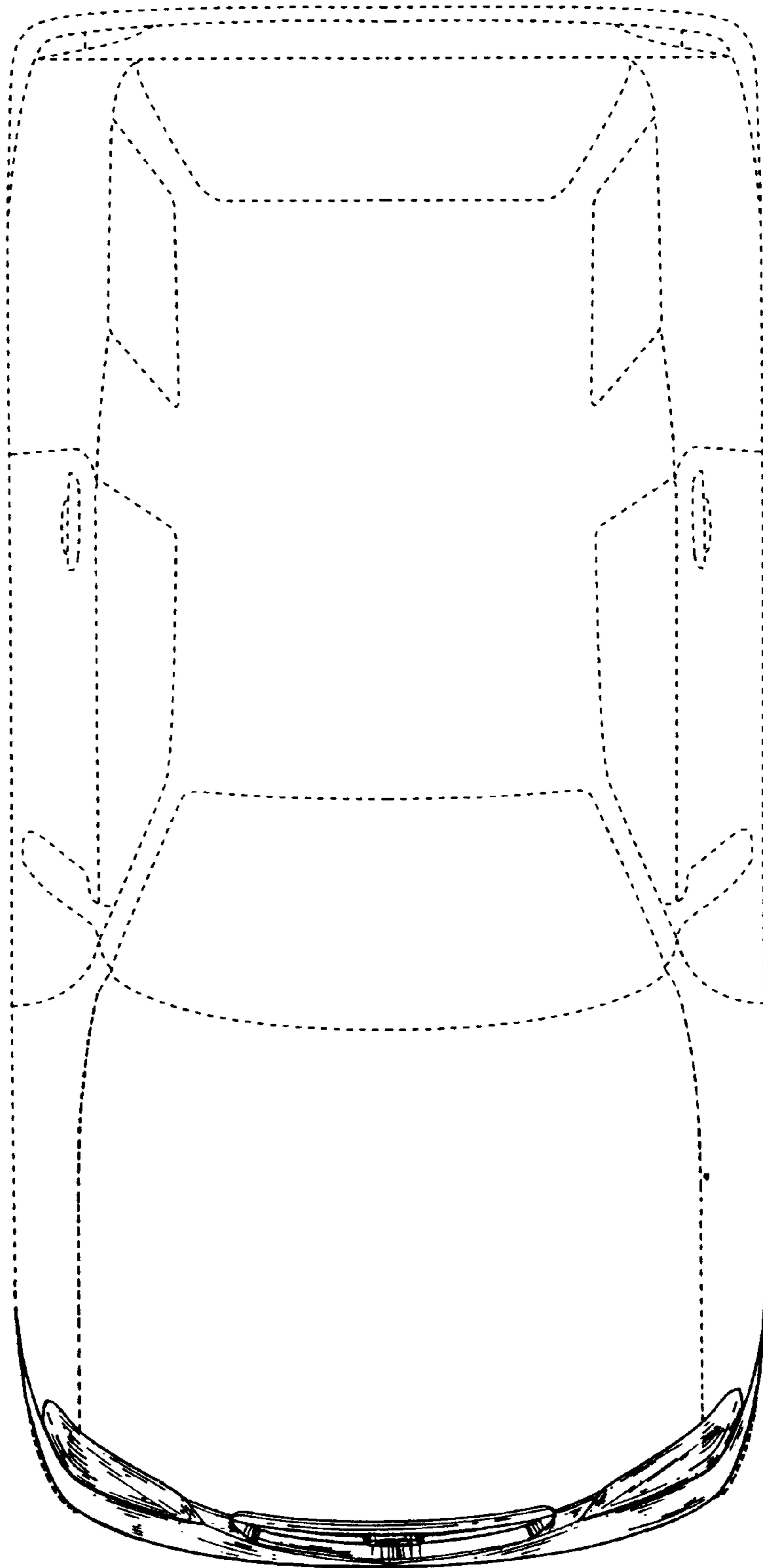


FIG. 7

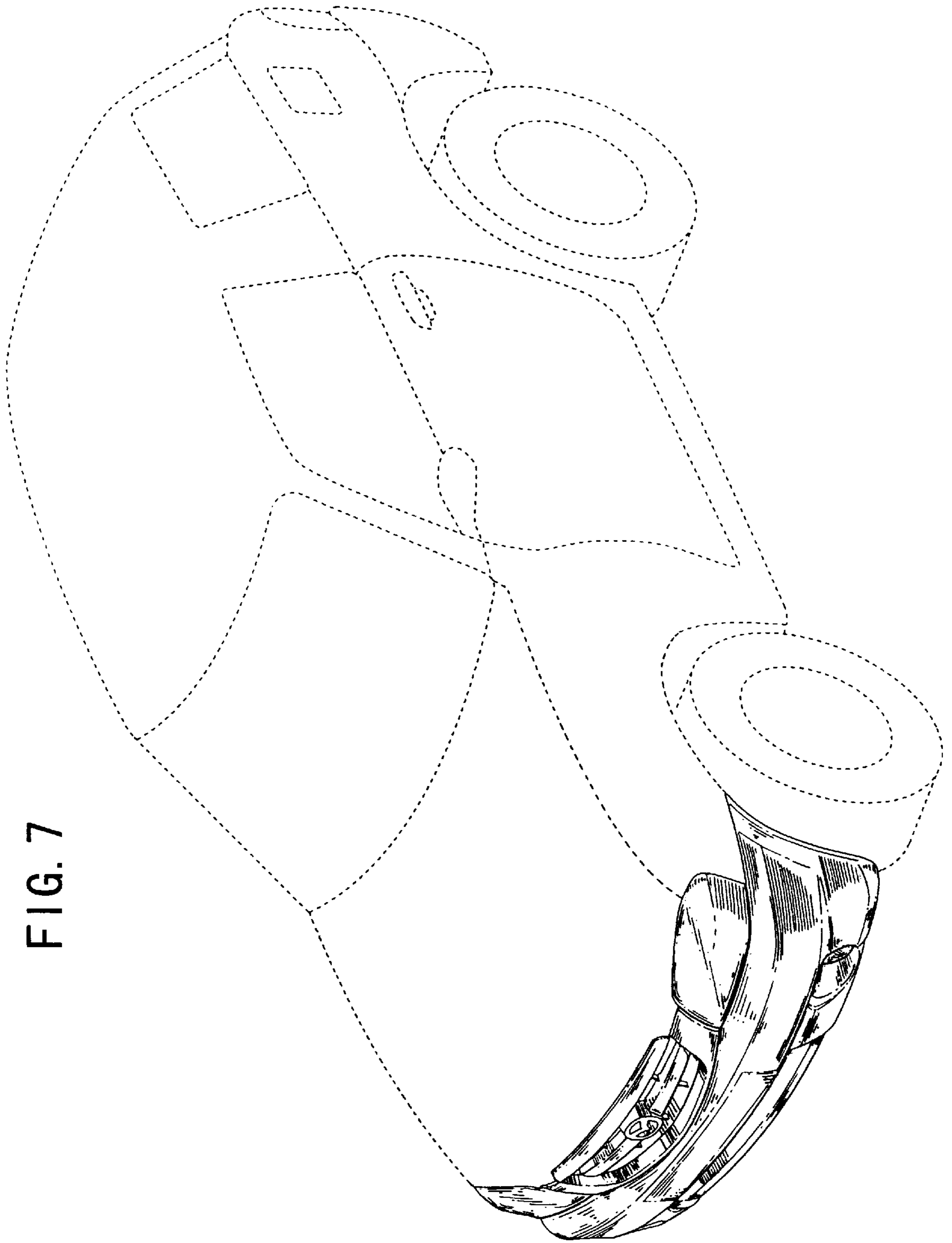


FIG. 8

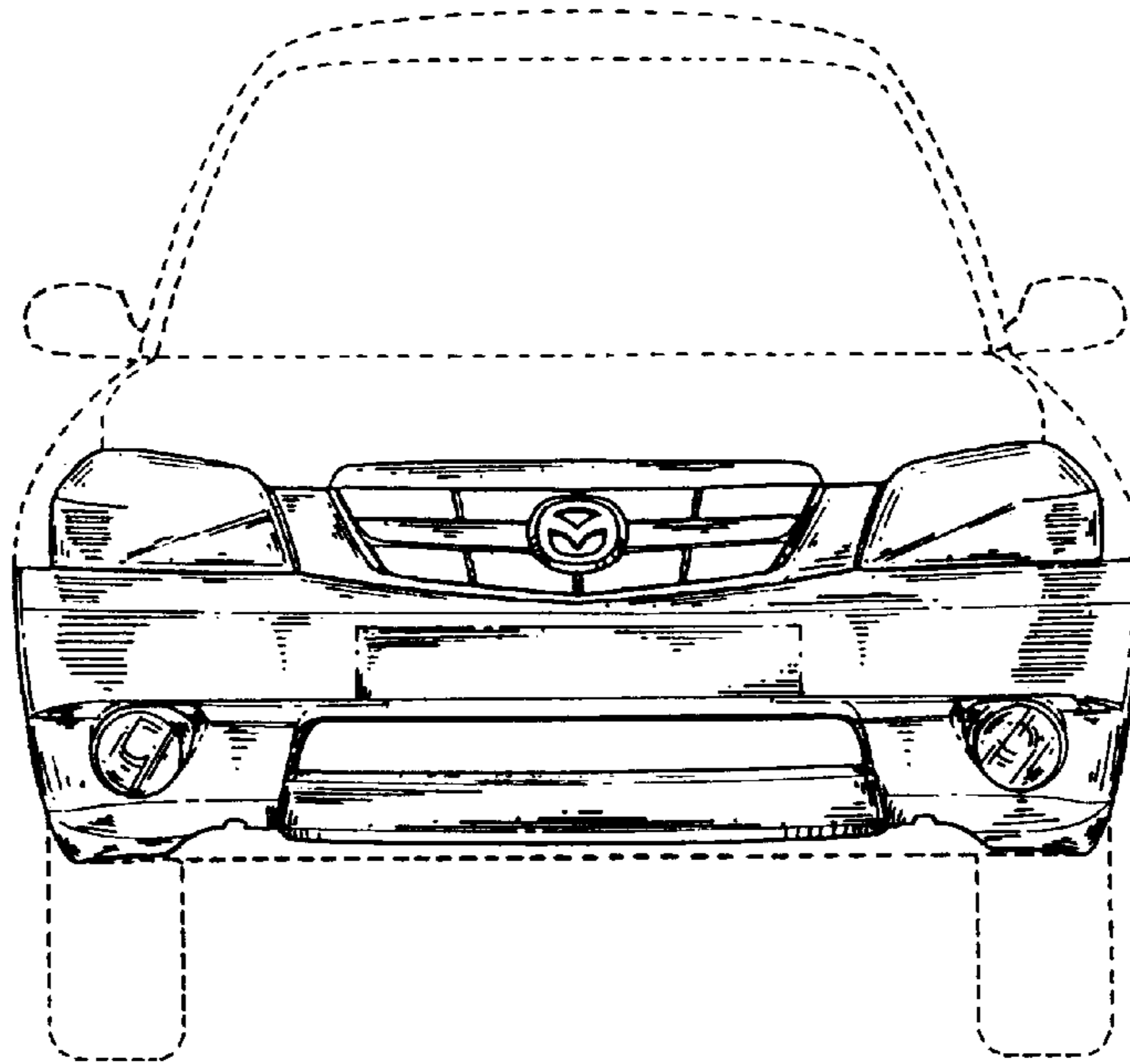


FIG. 9

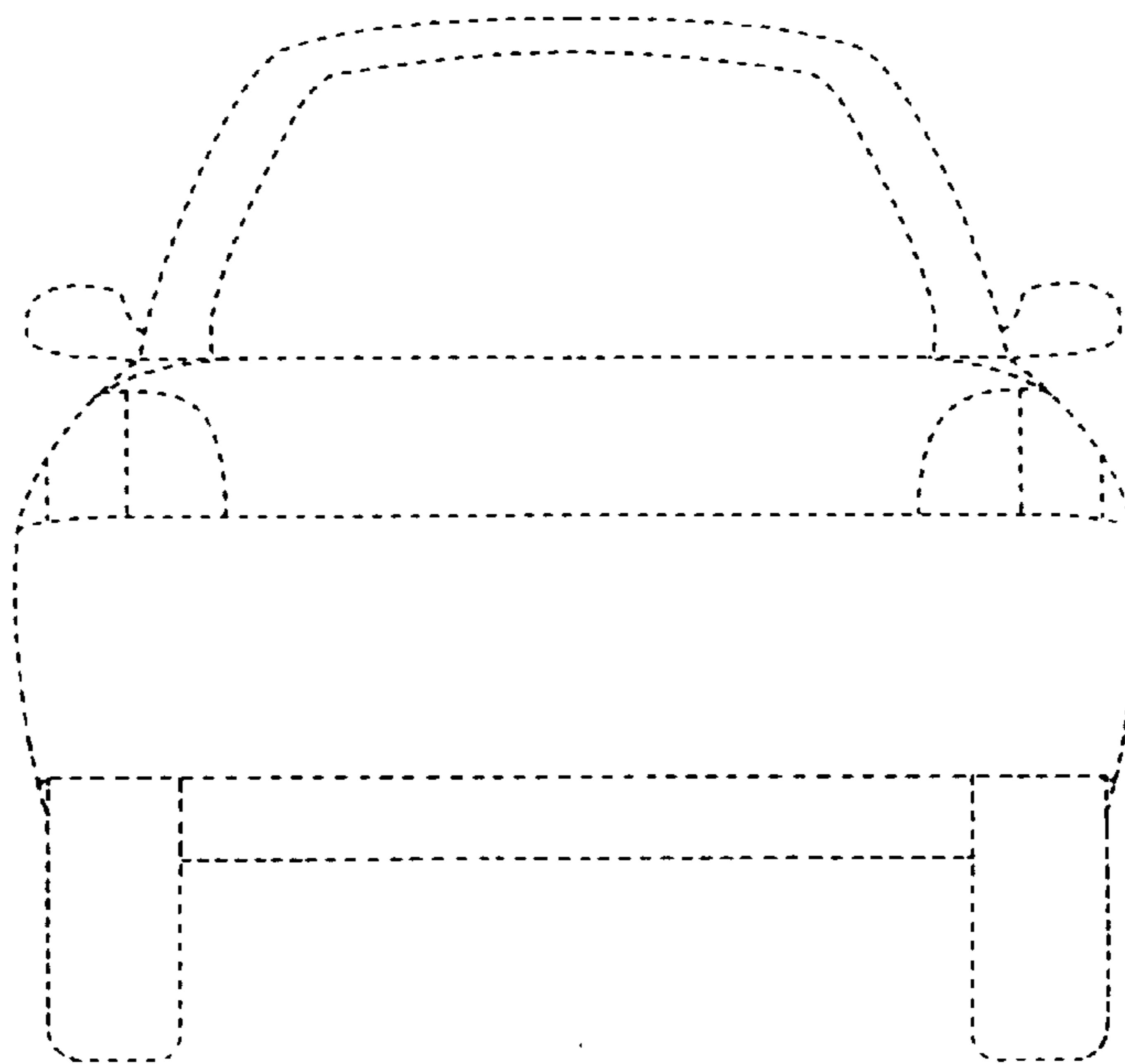


FIG. 10

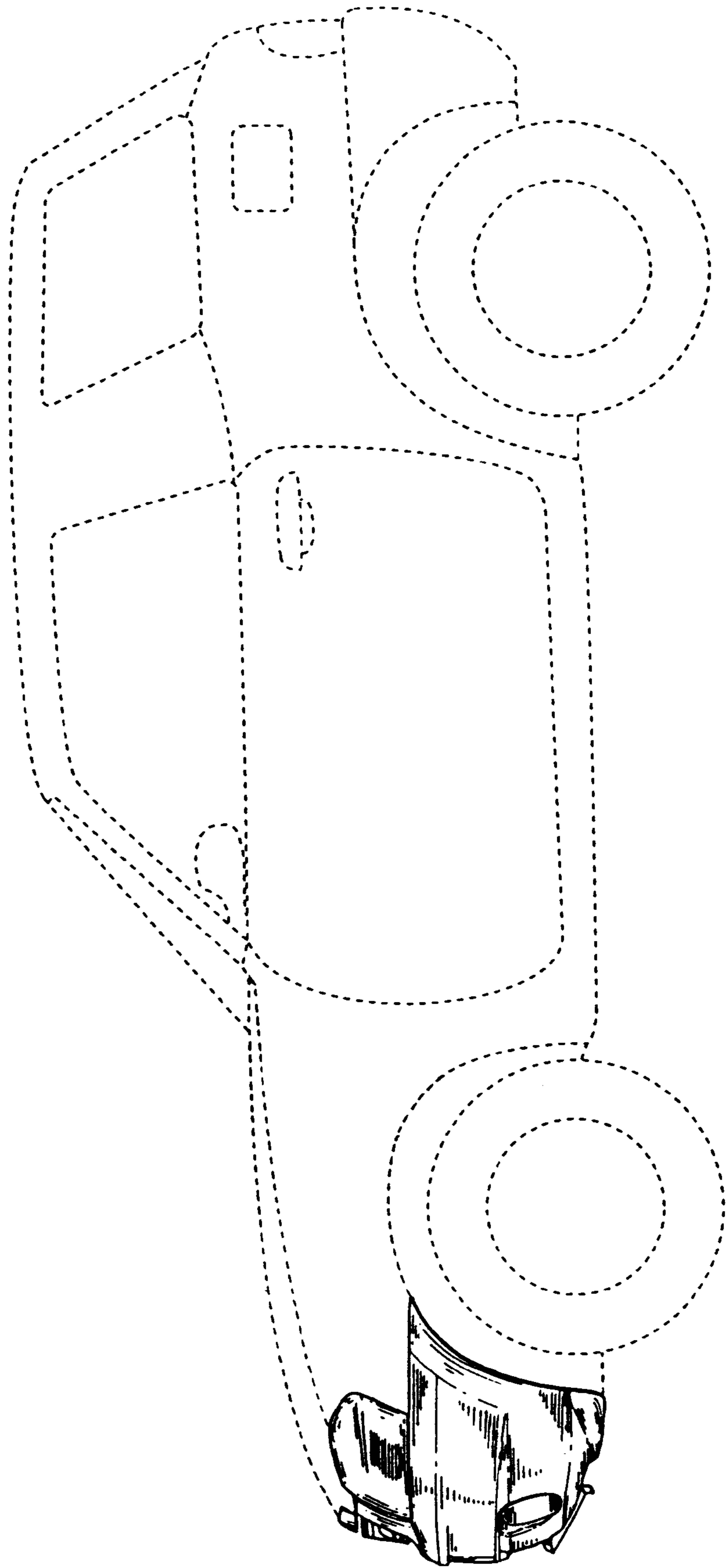


FIG. 11

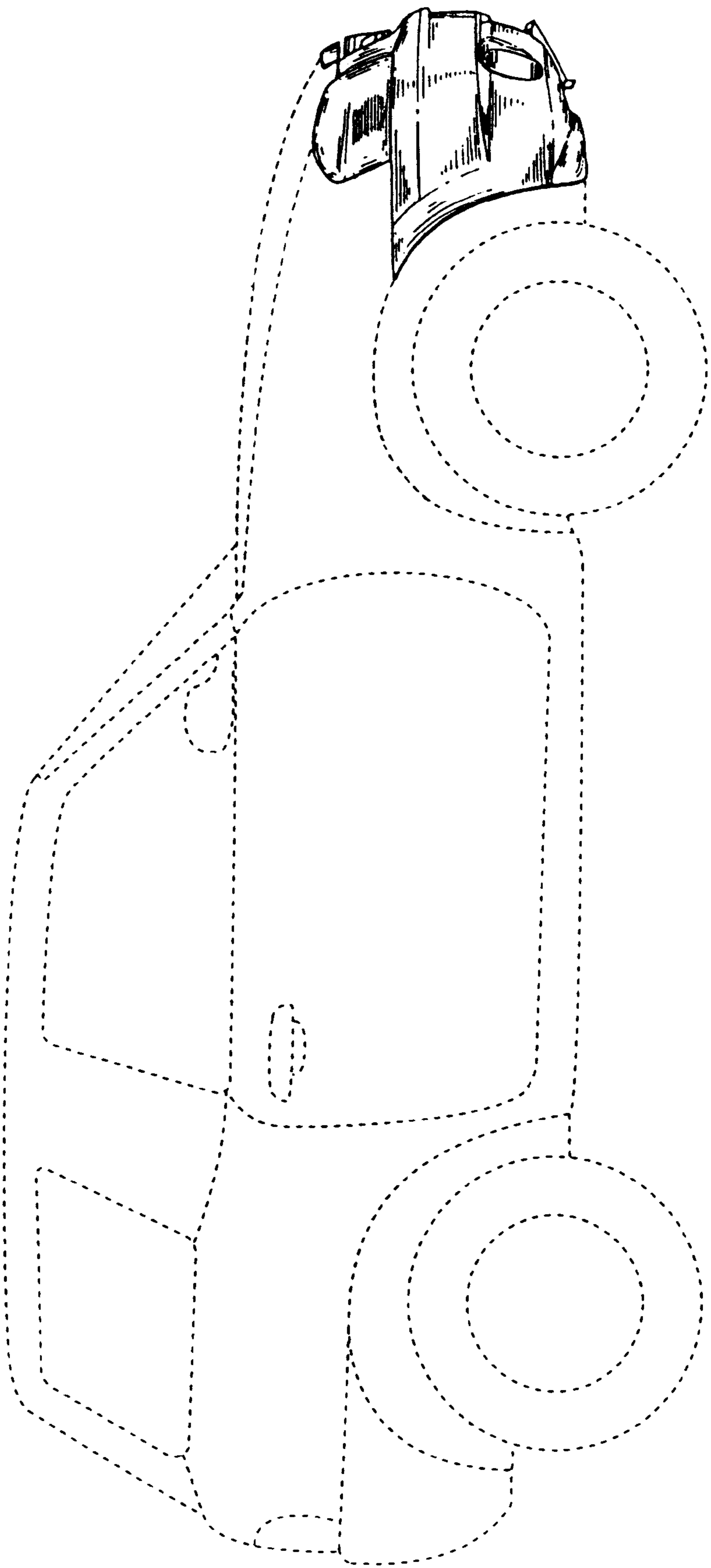
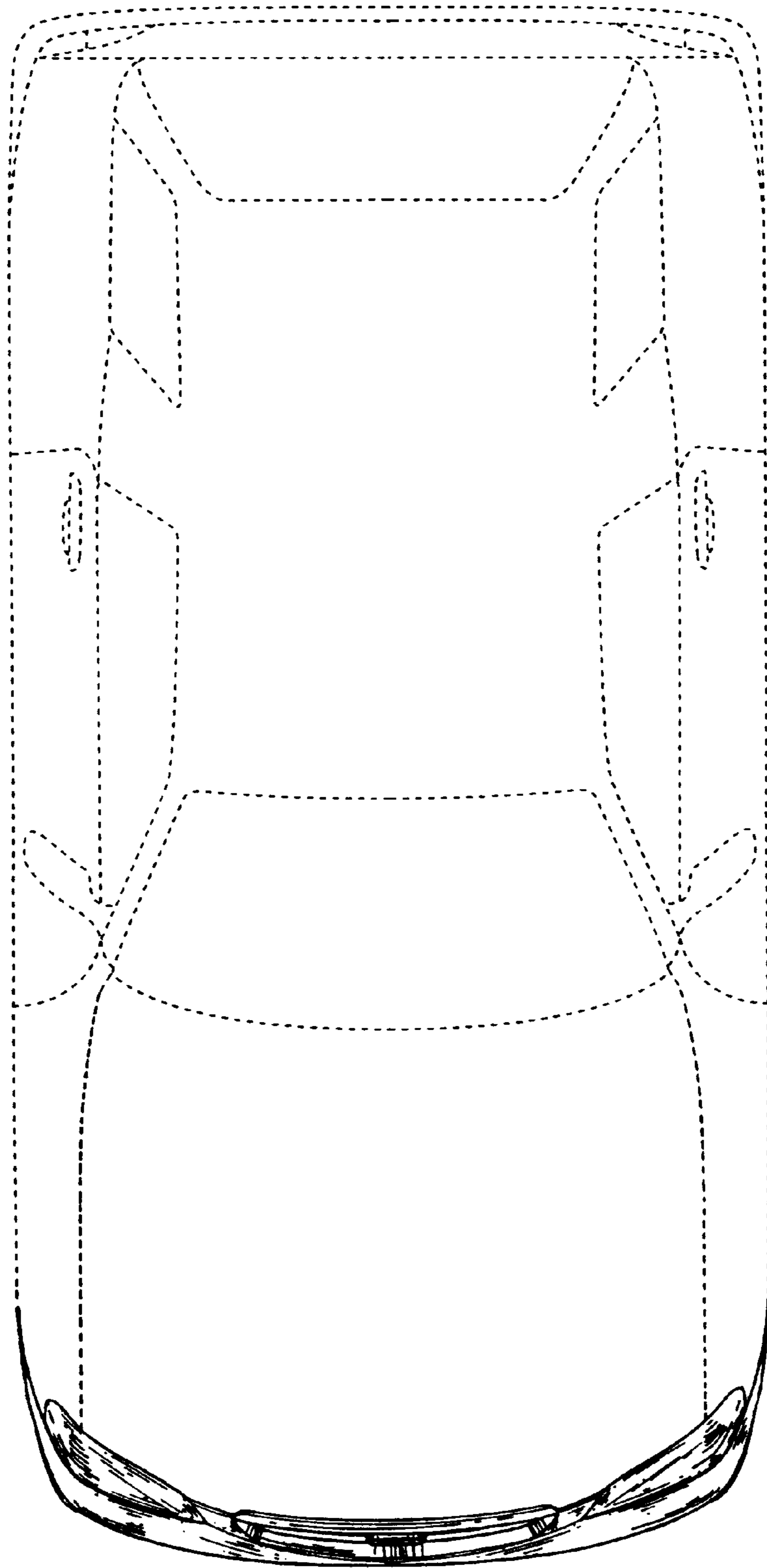


FIG. 12



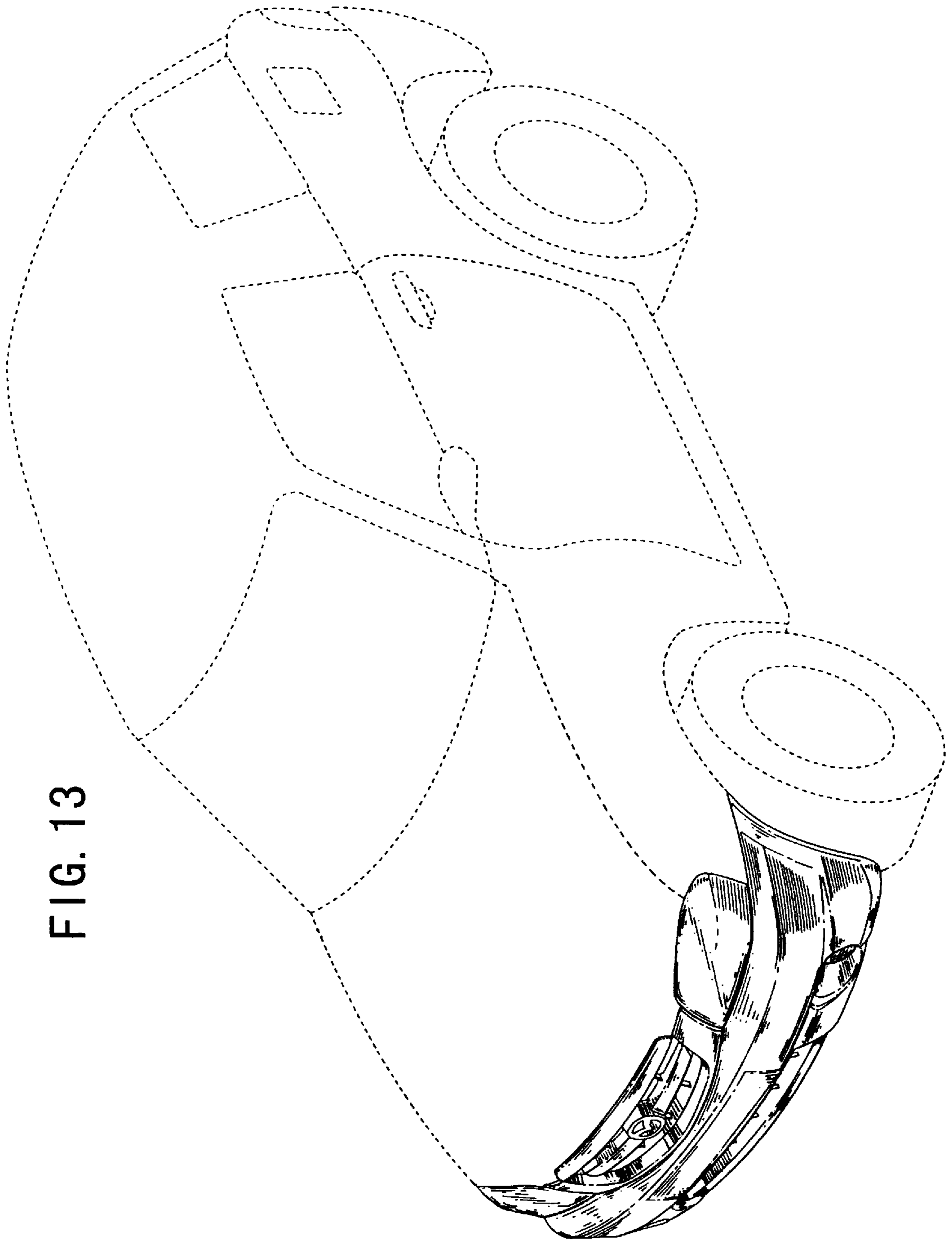


FIG. 13

FIG. 14

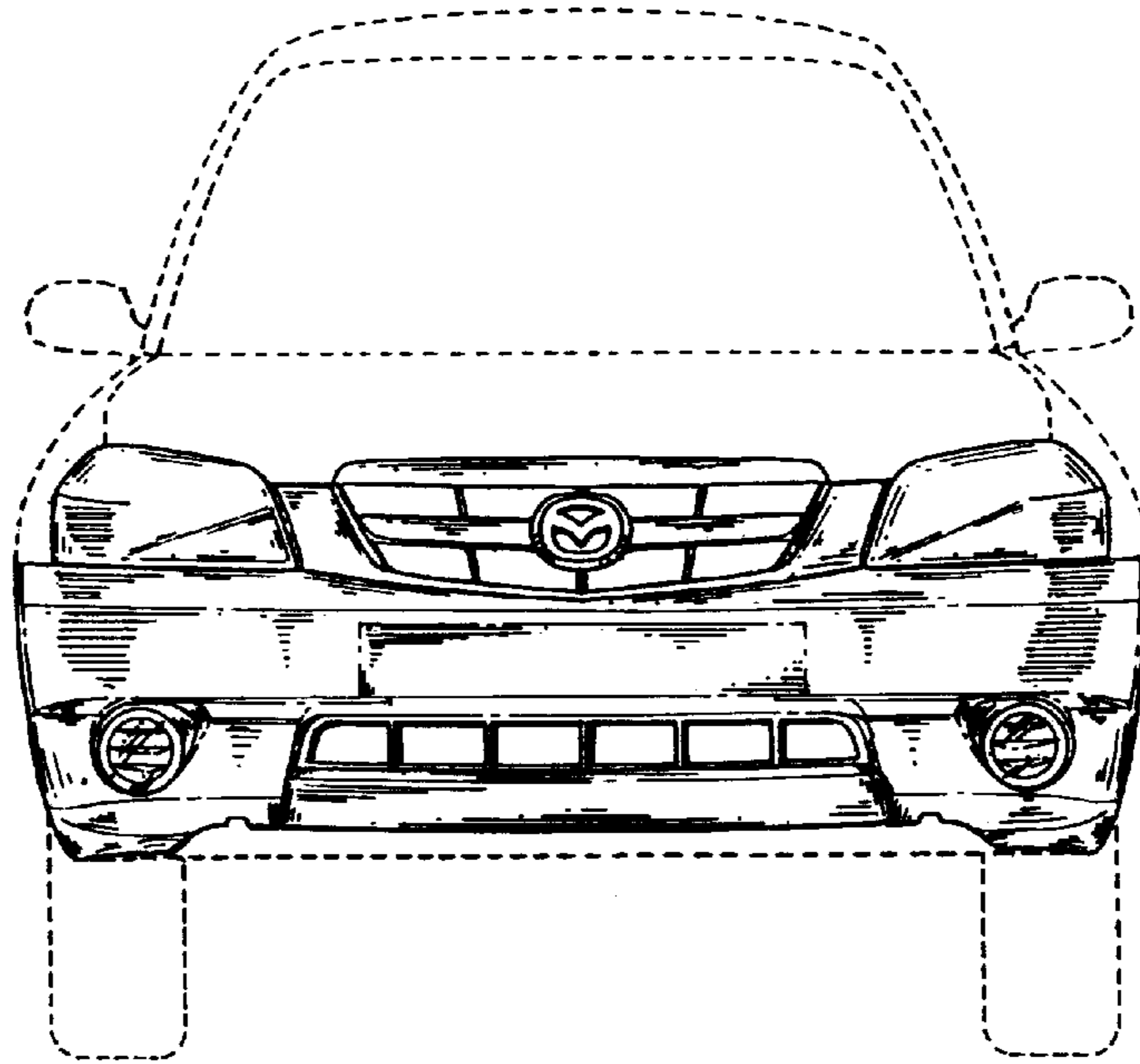


FIG. 15

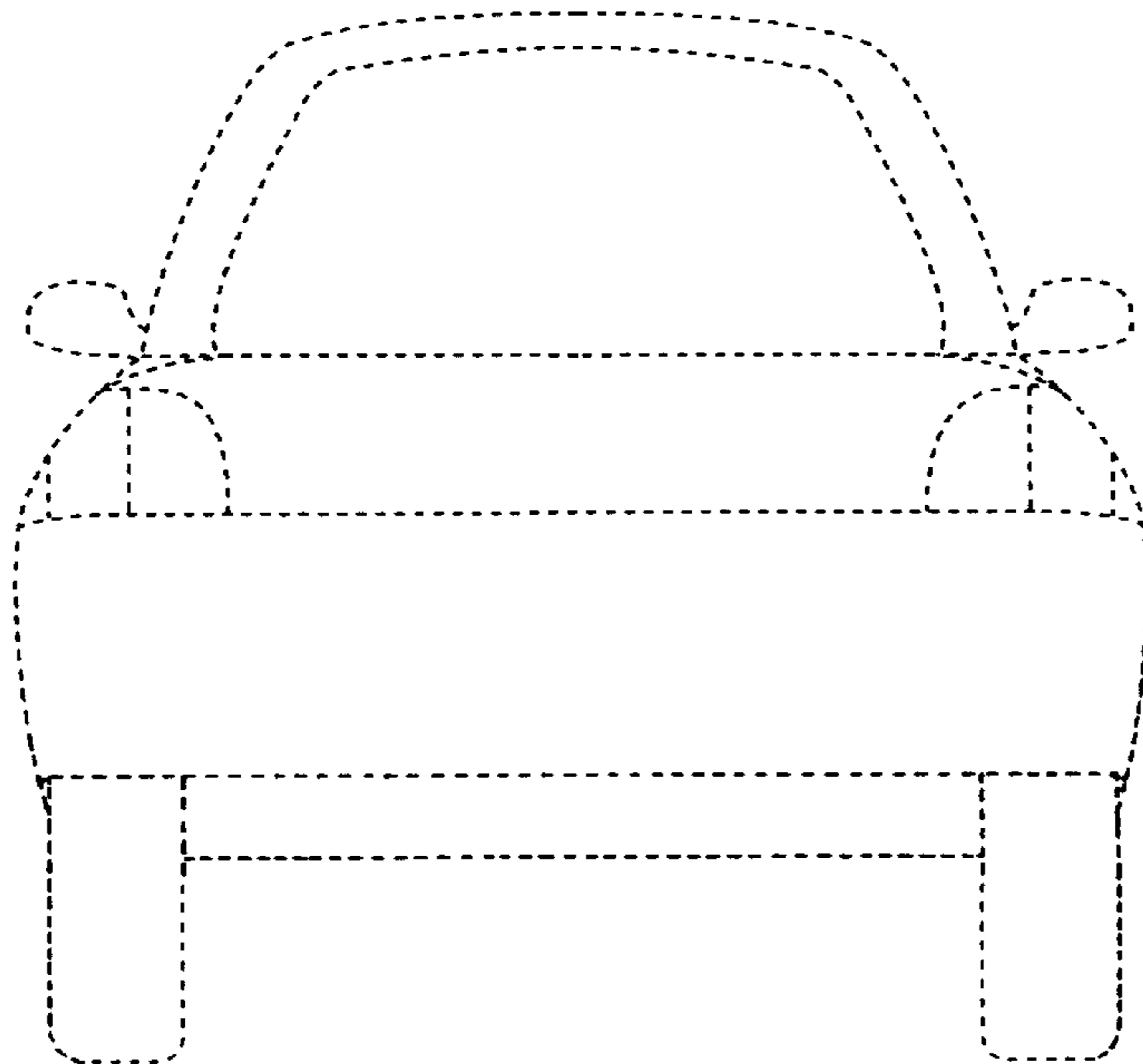


FIG. 16

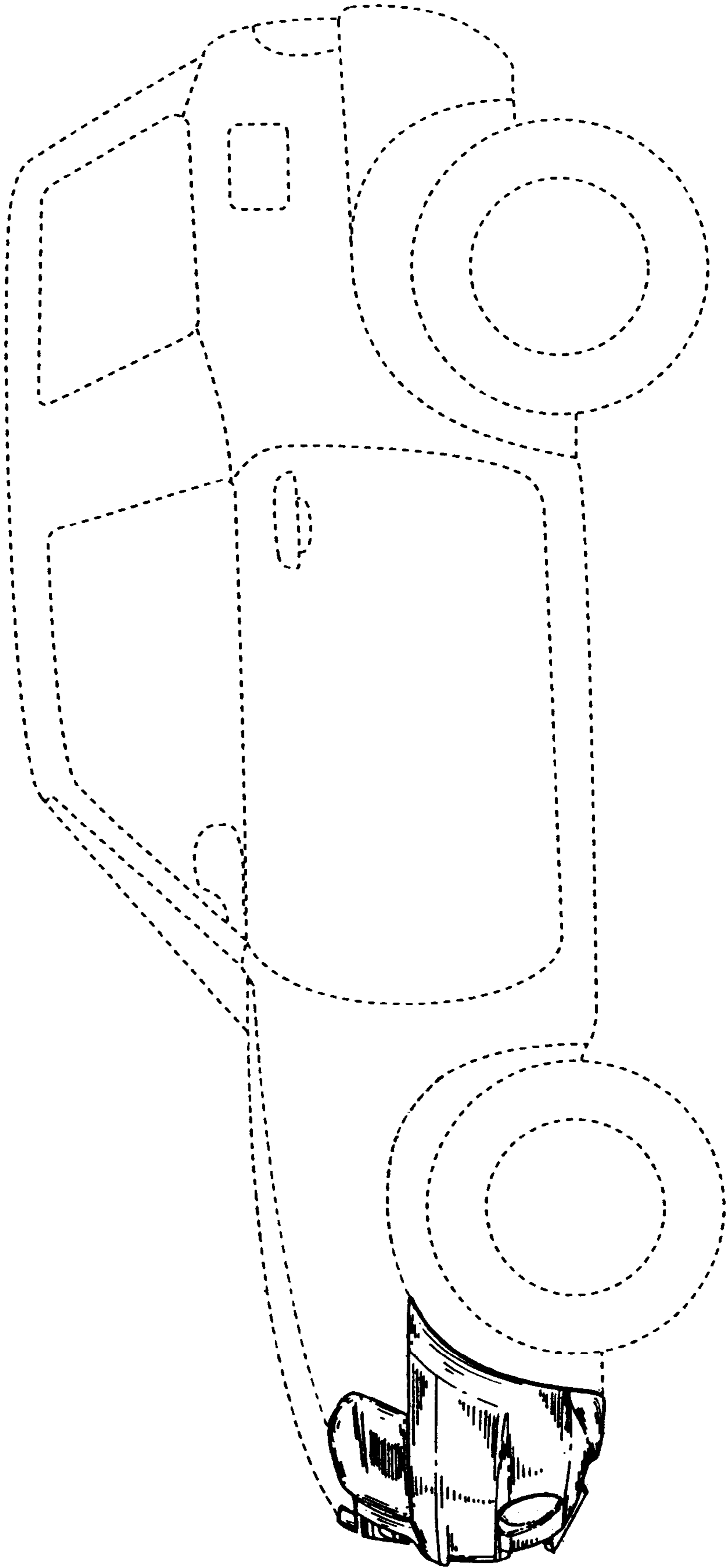


FIG. 17

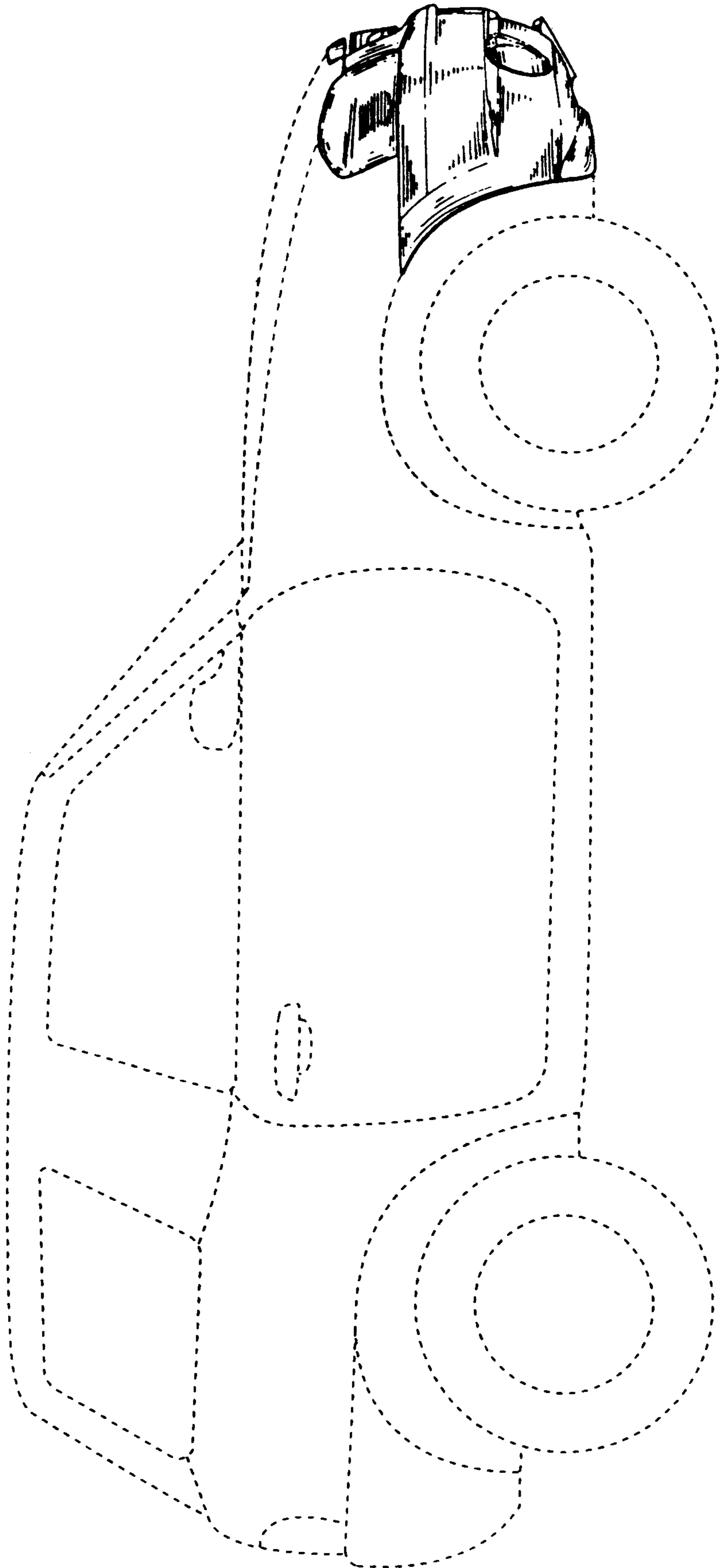


FIG. 18

