



US00D423436S

United States Patent [19]
Larson

[11] **Patent Number: Des. 423,436**

[45] **Date of Patent: ** Apr. 25, 2000**

[54] **PIPE FOR AN EXHAUST SYSTEM**

5,884,666 3/1999 Johnson 138/39

[75] Inventor: **Grant Larson**, Ludwigburg, Germany

Primary Examiner—Doris V. Coles

Assistant Examiner—Stacia Cadmus

[73] Assignee: **Dr. Ing. H.c.F. Porsche AG**, Germany

Attorney, Agent, or Firm—Evenson, McKeown, Edwards & Lenahan, P.L.L.C.

[**] Term: **14 Years**

[21] Appl. No.: **29/101,679**

[22] Filed: **Mar. 9, 1999**

[57] **CLAIM**

The ornamental design for a pipe for an exhaust system, as shown and described.

[30] **Foreign Application Priority Data**

DESCRIPTION

Sep. 9, 1998 [DE] Germany 498 08 790

FIG. 1 is a front view of a pipe for an exhaust system according to my novel design;

[51] **LOC (6) Cl.** **12-16**

FIG. 2 is a left side view of a pipe for an exhaust system according to my novel design;

[52] **U.S. Cl.** **D12/194**

FIG. 3 is a right side view of a pipe for an exhaust system according to my novel design;

[58] **Field of Search** D12/194, 400,
D12/110; D15/5; 181/227, 228, 247-249,
251, 264, 282, 277-280; 138/37-39, 44,
109, 103; 29/890.08; 60/313, 323, 302

FIG. 4 is a top view of a pipe for an exhaust system according to my novel design;

[56] **References Cited**

FIG. 5 is a bottom view of a pipe for an exhaust system according to my novel design;

U.S. PATENT DOCUMENTS

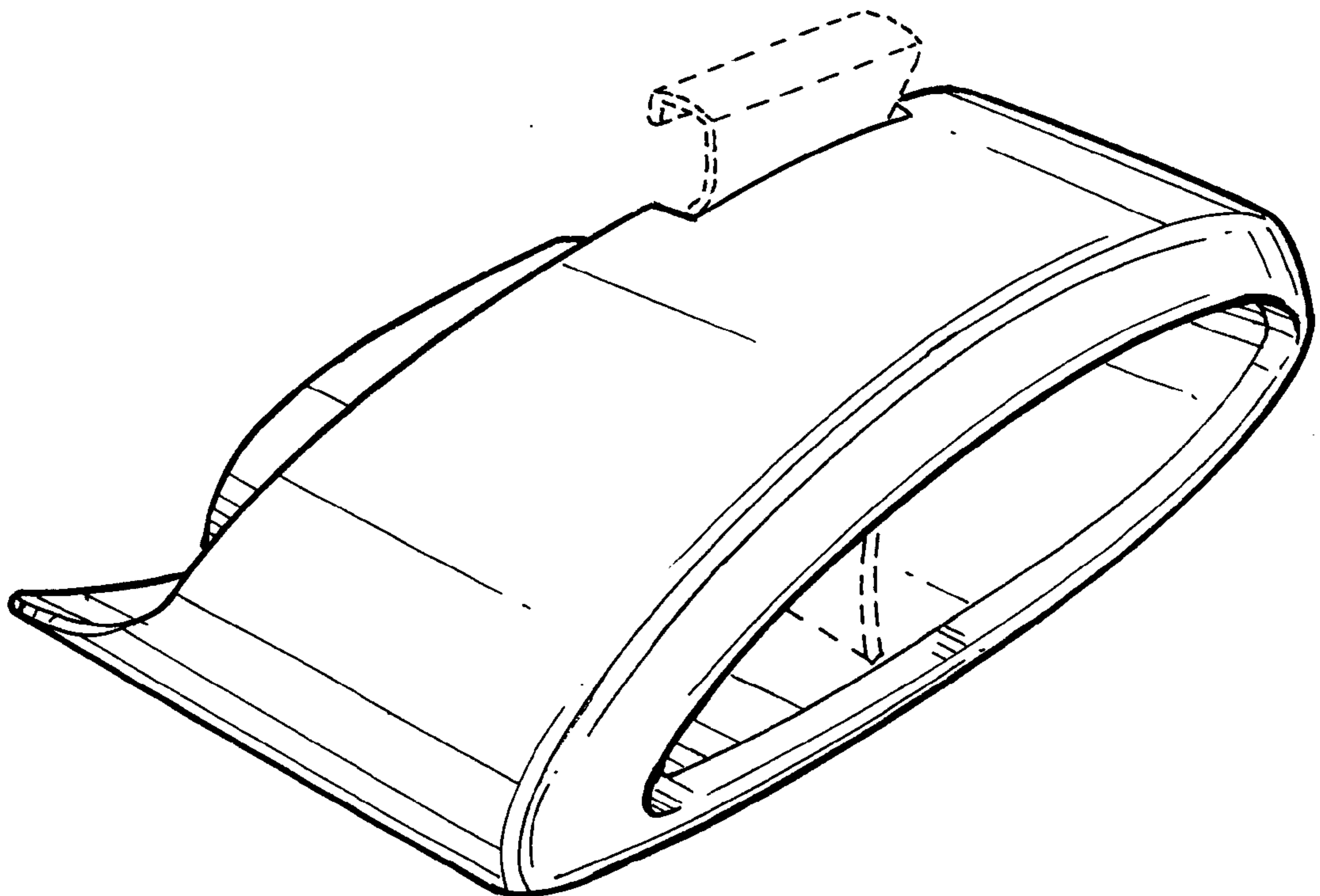
FIG. 6 is a rear view of a pipe for an exhaust system according to my novel design; and,

D. 176,359	12/1955	Knight	D12/194
D. 177,877	5/1956	Sandler	D12/194
D. 180,886	8/1957	Russell	D12/194
D. 181,944	1/1958	Russell	D12/194
D. 183,145	7/1958	Russell	D12/194
D. 184,642	3/1959	Russell	D12/194
D. 414,452	9/1999	Verlengiere	D12/194

FIG. 7 is a perspective view from the front side of a pipe for an exhaust system according to my novel design.

The dash line included depicts environment and is not part of the claimed design.

1 Claim, 3 Drawing Sheets



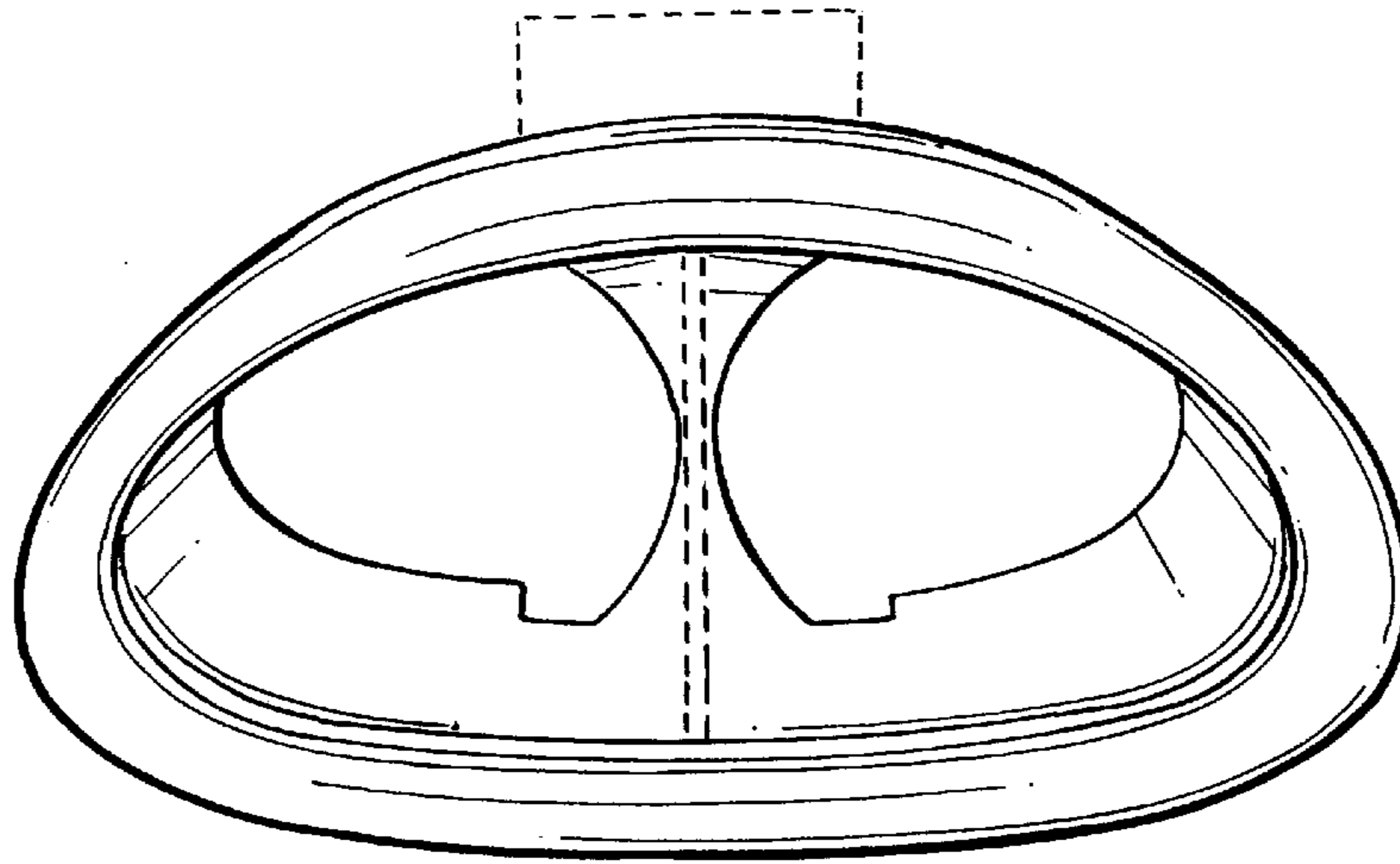


FIG. 1

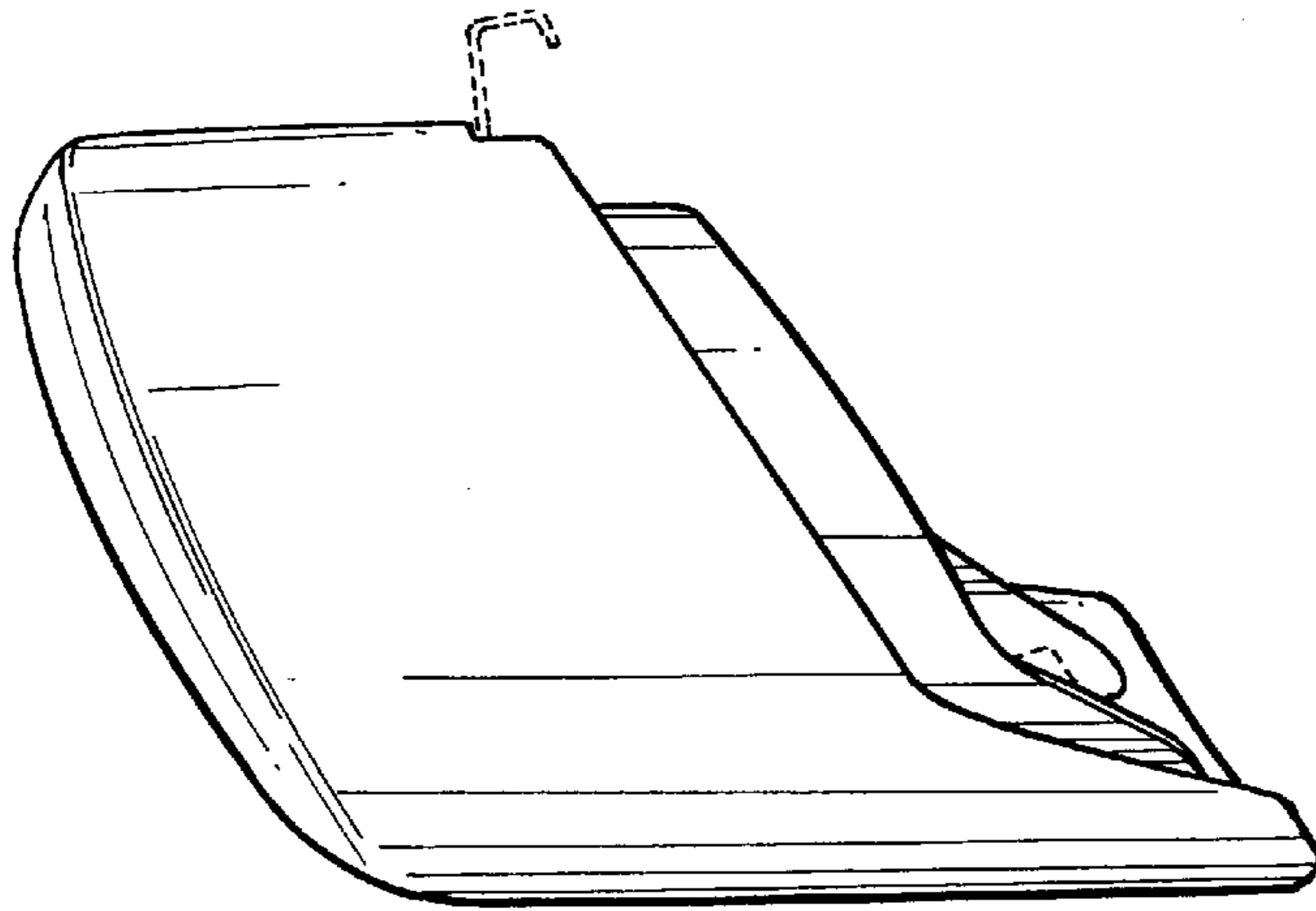
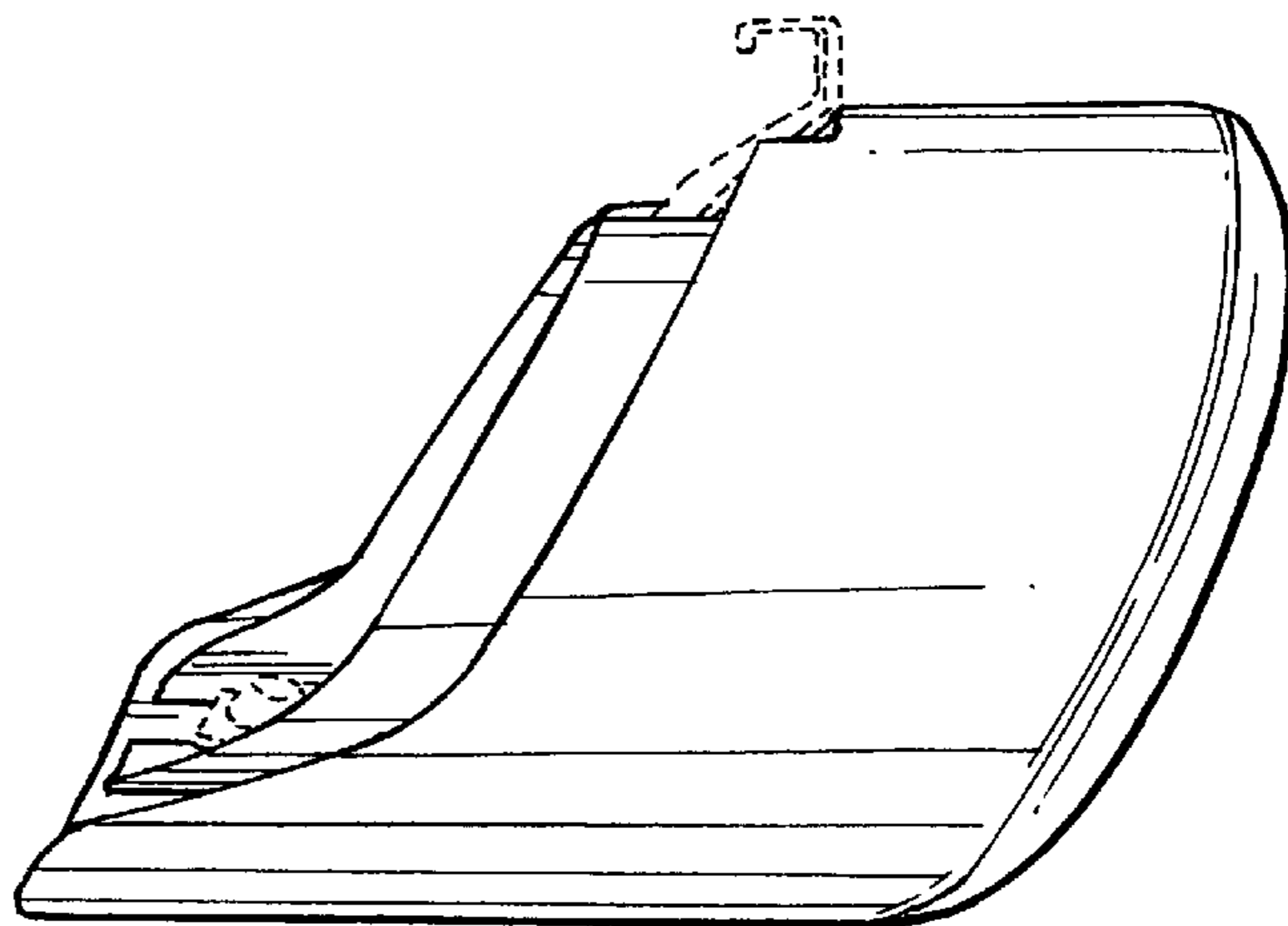


FIG. 2

FIG. 3



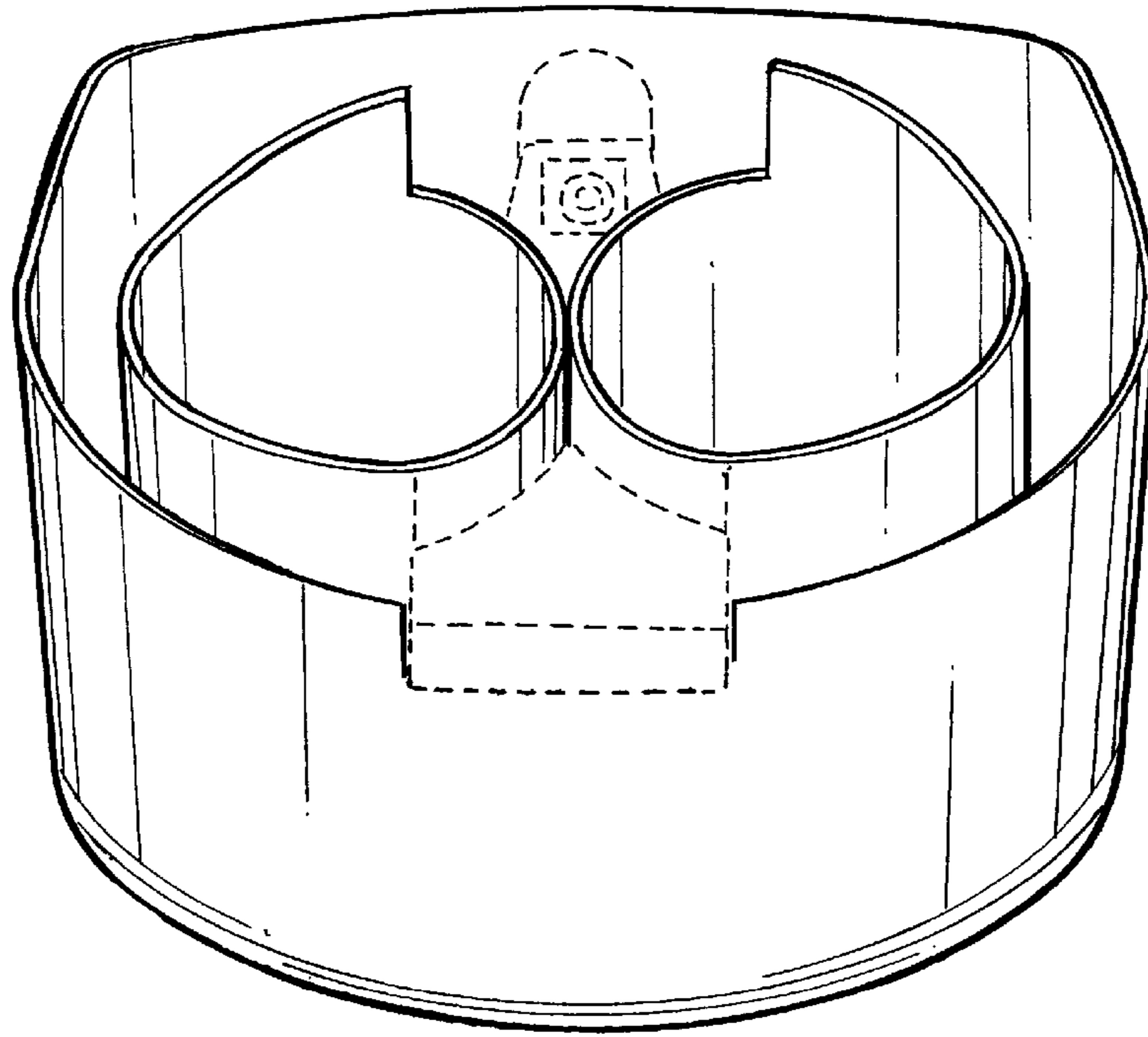


FIG. 4

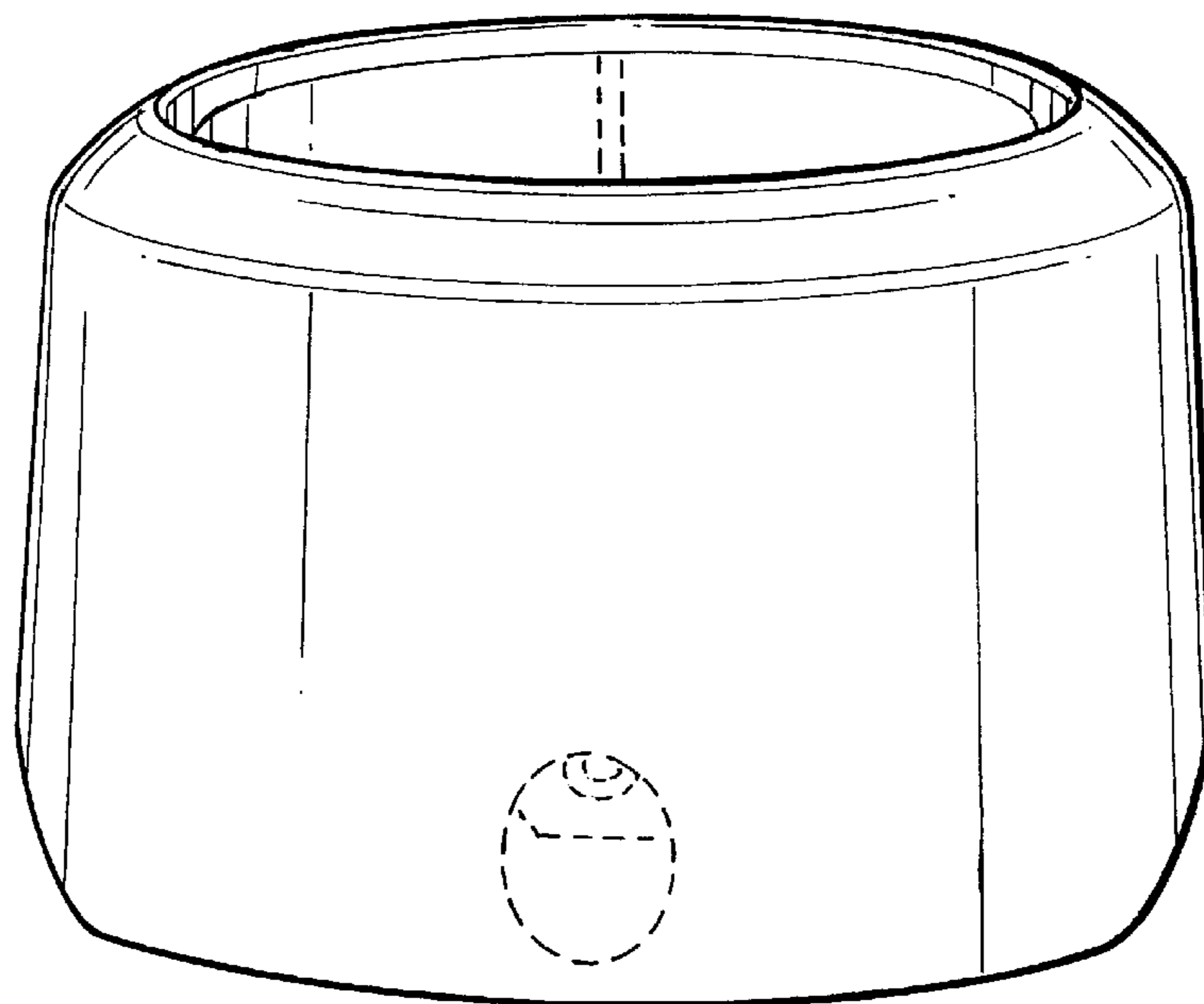


FIG. 5

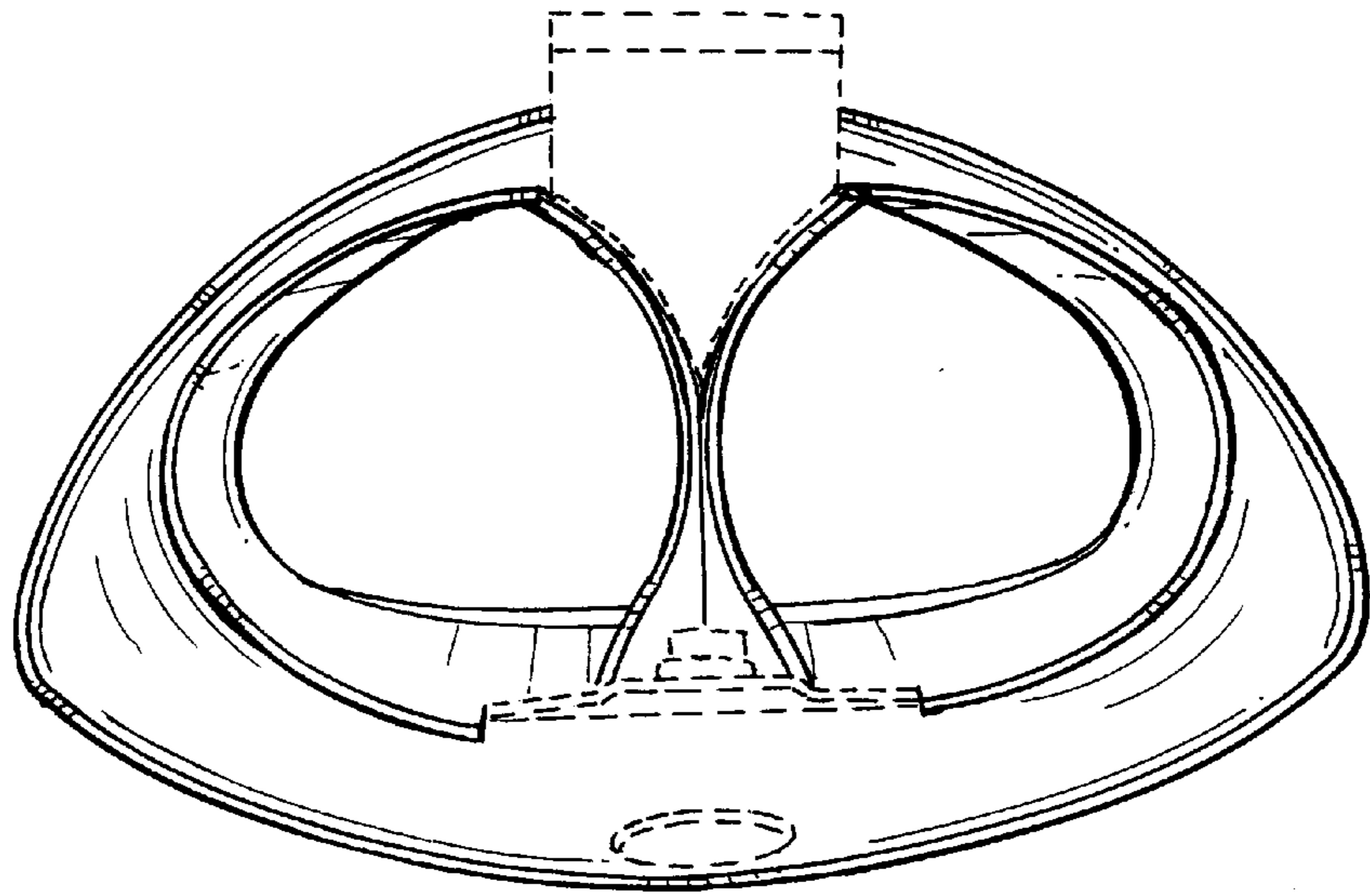


FIG. 6

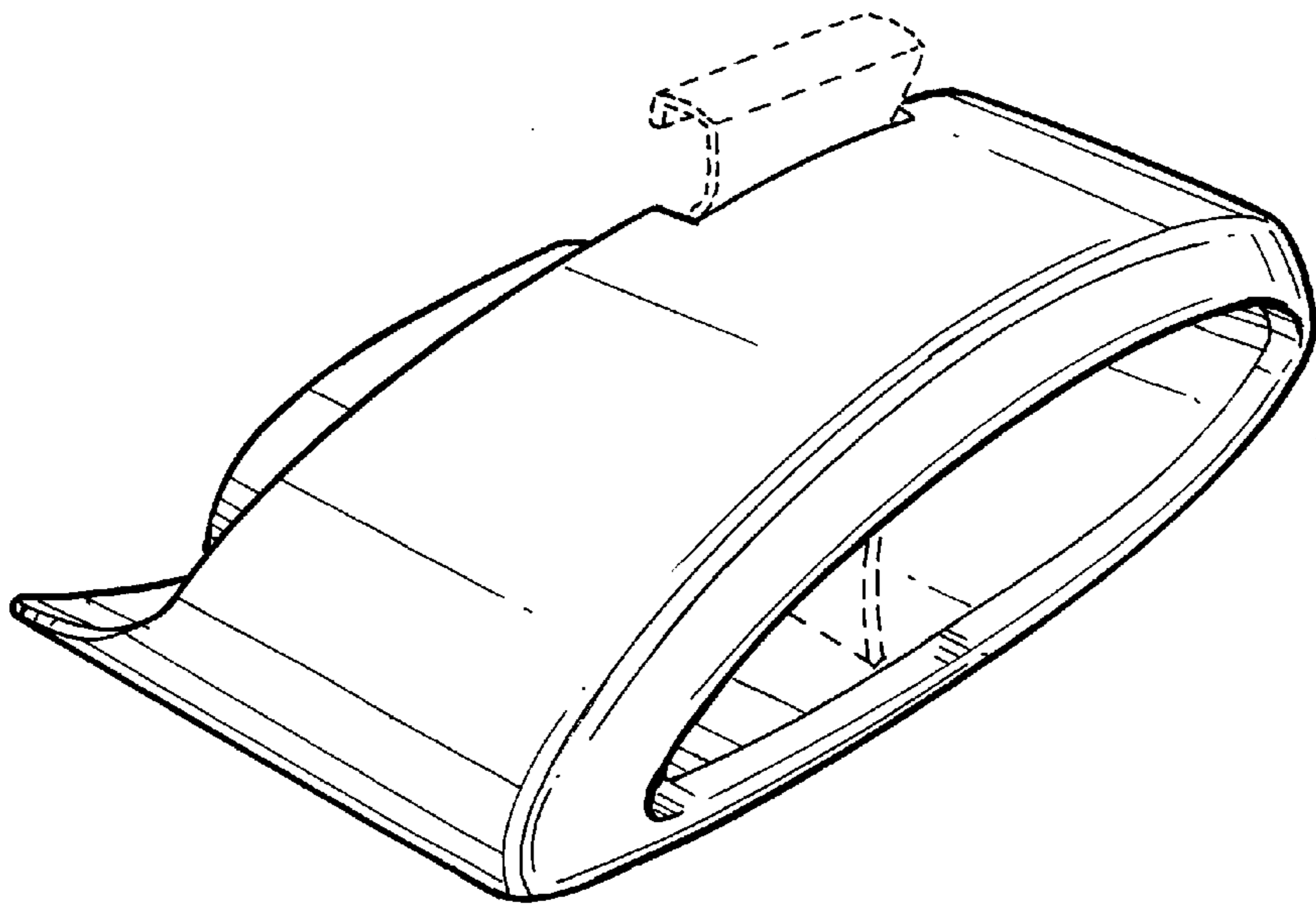


FIG. 7