



US00D423435S

United States Patent [19]
Sato

[11] **Patent Number: Des. 423,435**

[45] **Date of Patent: ** Apr. 25, 2000**

[54] **FRONT WALL PORTION OF INSTRUMENT PANEL**

[75] Inventor: **Youichi Sato**, Aki-gun, Japan

[73] Assignee: **Mazda Motor Corporation**, Hiroshima, Japan

[**] Term: **14 Years**

[21] Appl. No.: **29/106,614**

[22] Filed: **Jun. 21, 1999**

[30] **Foreign Application Priority Data**

Jan. 1, 1999 [JP] Japan 11-17
Jan. 1, 1999 [JP] Japan 11-18

[51] **LOC (6) Cl.** **12-16**

[52] **U.S. Cl.** **D12/192**

[58] **Field of Search** D12/192, 400,
D12/415; 180/90; 280/752, 750; 296/70,
190-191

[56] **References Cited**

U.S. PATENT DOCUMENTS

D. 154,611 7/1949 Lauer D12/192
D. 287,354 12/1986 Cornwell D12/192
D. 291,983 9/1987 Cornwell D12/192
D. 336,459 6/1993 Tisten et al. D12/192
D. 363,053 10/1995 Abele D12/192
D. 378,910 4/1997 Black et al. D12/192
D. 389,798 1/1998 Ma et al. D12/192
D. 394,834 6/1998 Sacco et al. D12/192
D. 403,641 1/1999 Sacco et al. D12/192
D. 405,408 2/1999 Yoshida et al. D12/192

D. 413,095 8/1999 Abalos et al. D12/192

Primary Examiner—Doris V. Coles
Assistant Examiner—Stacia Cadmus
Attorney, Agent, or Firm—Nixon Peabody LLP; Donald R. Studebaker

[57] **CLAIM**

The ornamental design for front wall portion of instrument panel, as shown and described.

DESCRIPTION

FIG. 1 is a perspective view of a front wall portion of instrument panel showing a first embodiment of my new design;

FIG. 2 is a front view thereof;

FIG. 3 is a rear view thereof;

FIG. 4 is a top view thereof;

FIG. 5 is a bottom view thereof;

FIG. 6 is left side view thereof;

FIG. 7 is right side view thereof;

FIG. 8 is perspective view of a front wall portion of instrument panel showing a second embodiment of my new design;

FIG. 9 is a front view thereof;

FIG. 10 is a rear view thereof;

FIG. 11 is a top view thereof;

FIG. 12 is a bottom view thereof;

FIG. 13 is a left side view thereof; and,

FIG. 14 is right side view thereof.

The broken line portion showing portions of the instrument panel is for illustrative purpose only and forms no part of the claimed design.

1 Claim, 8 Drawing Sheets

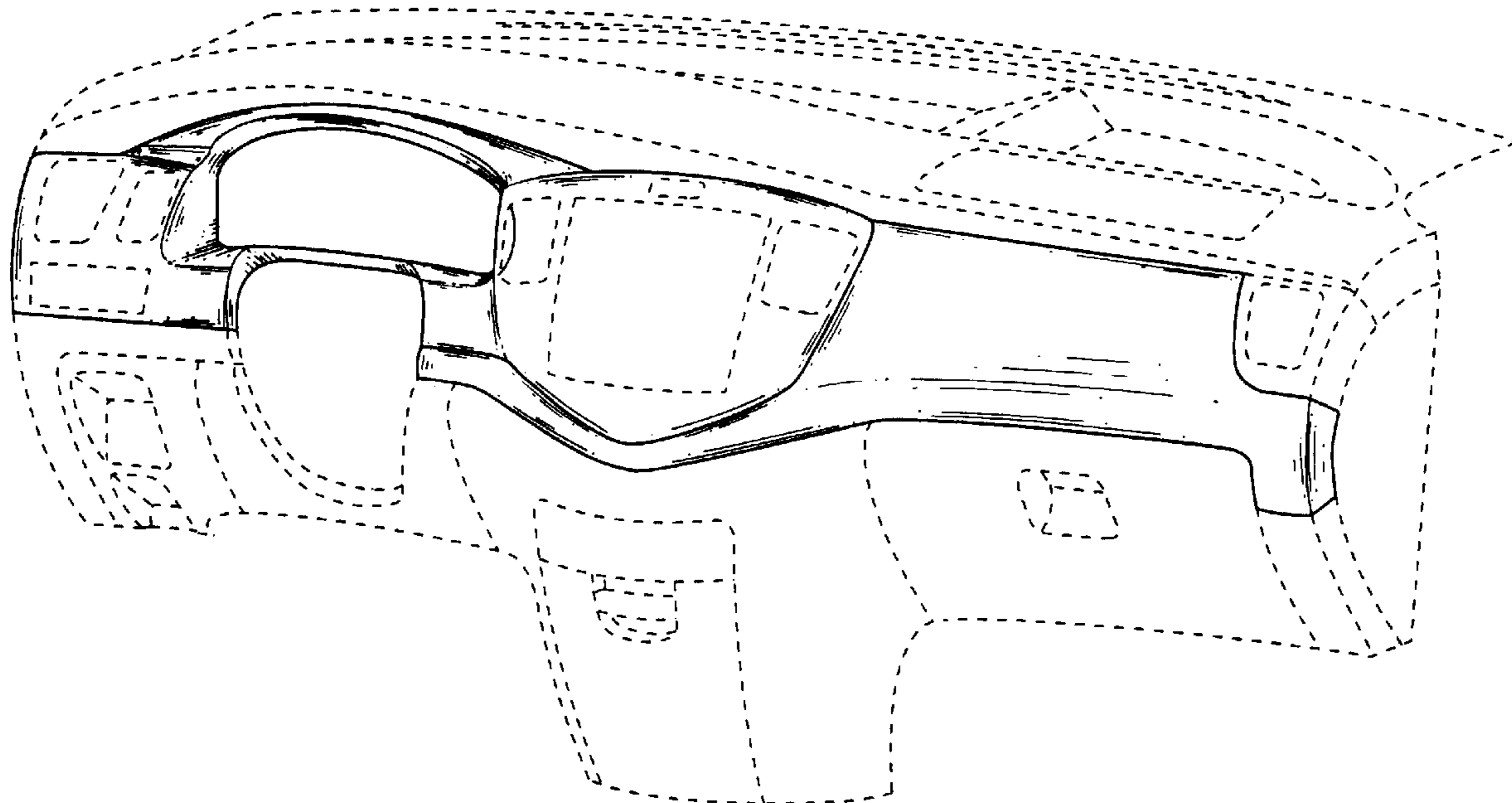


FIG. 1

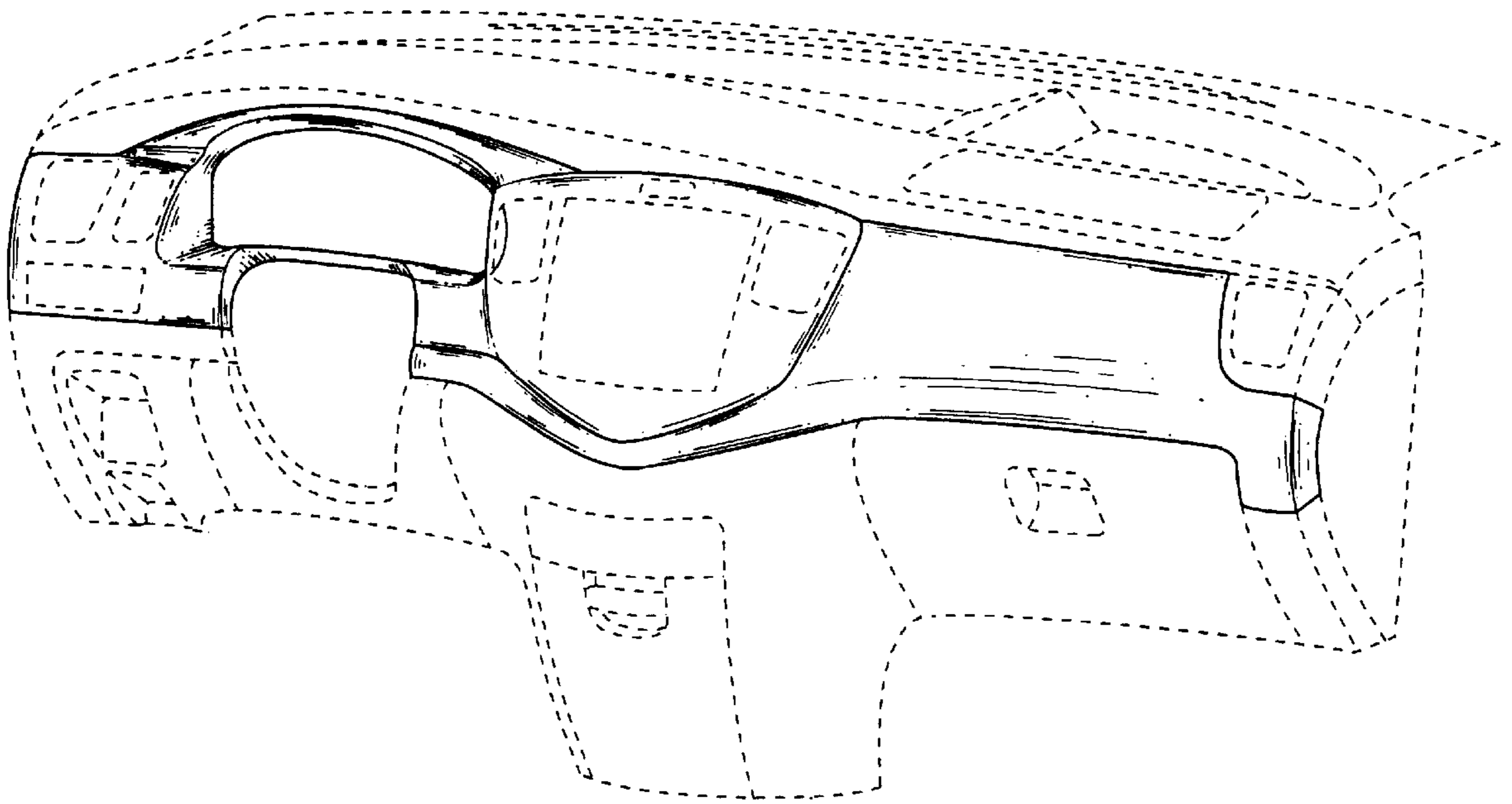


FIG. 2

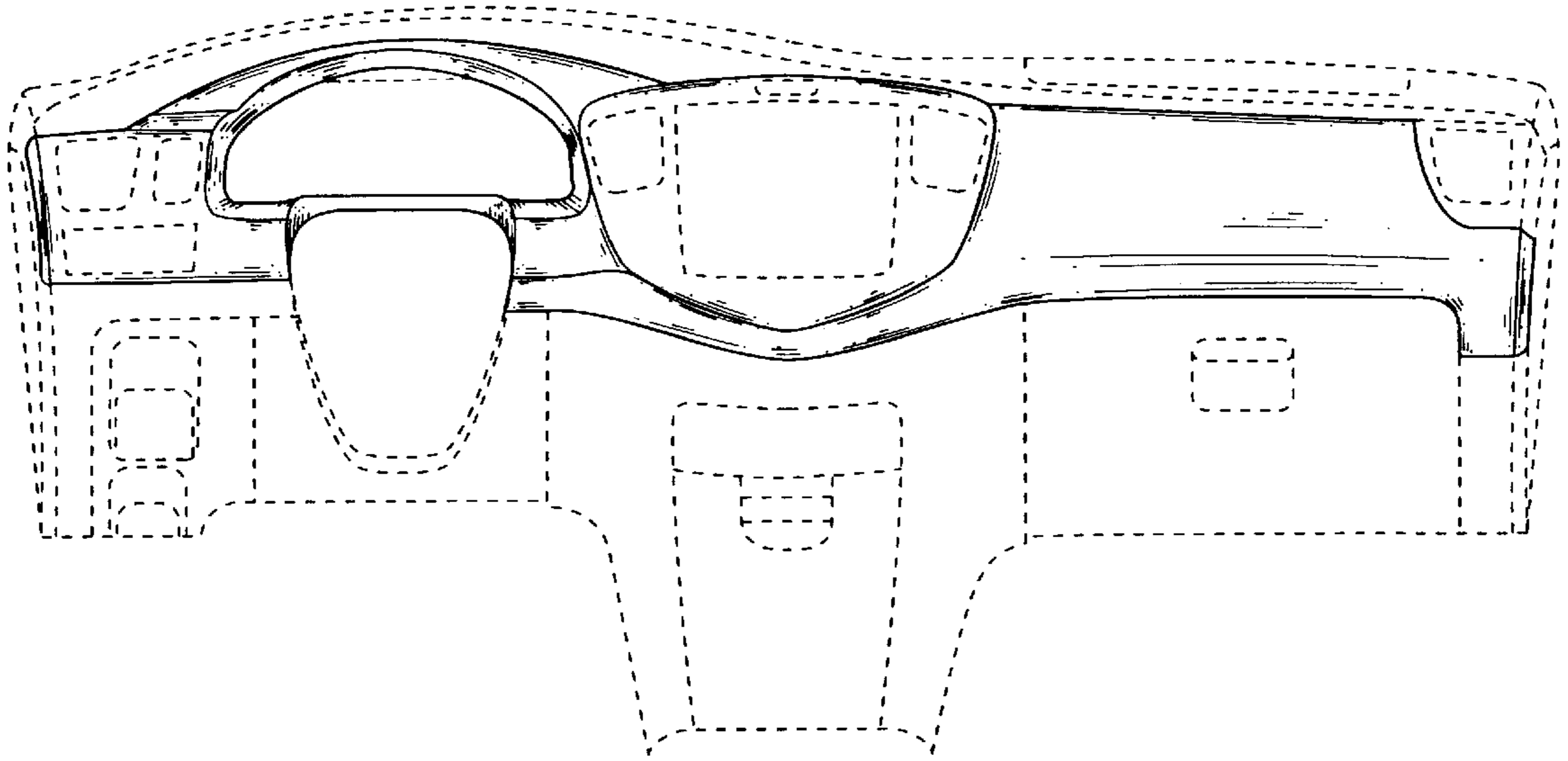


FIG. 3

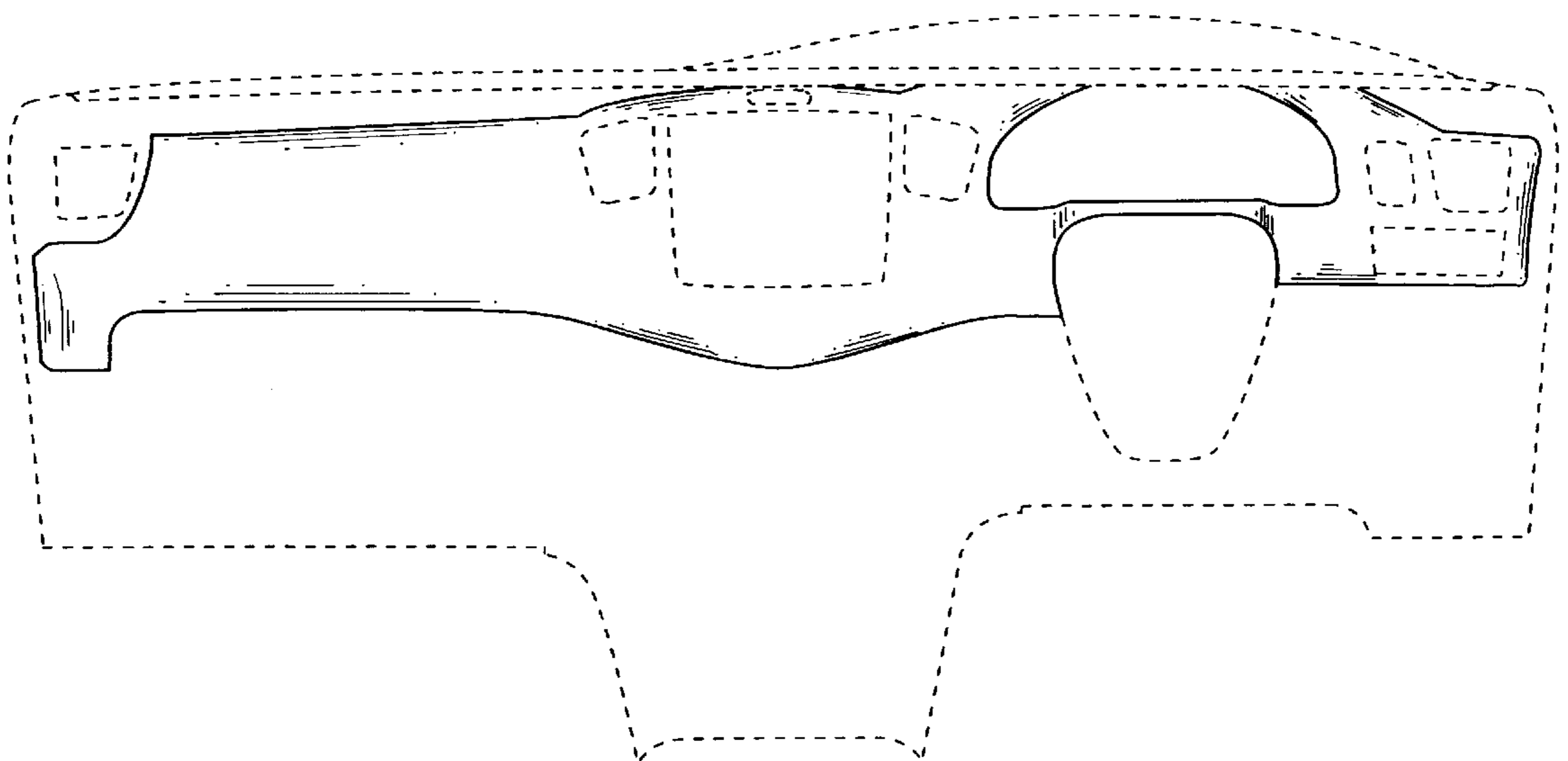


FIG. 4

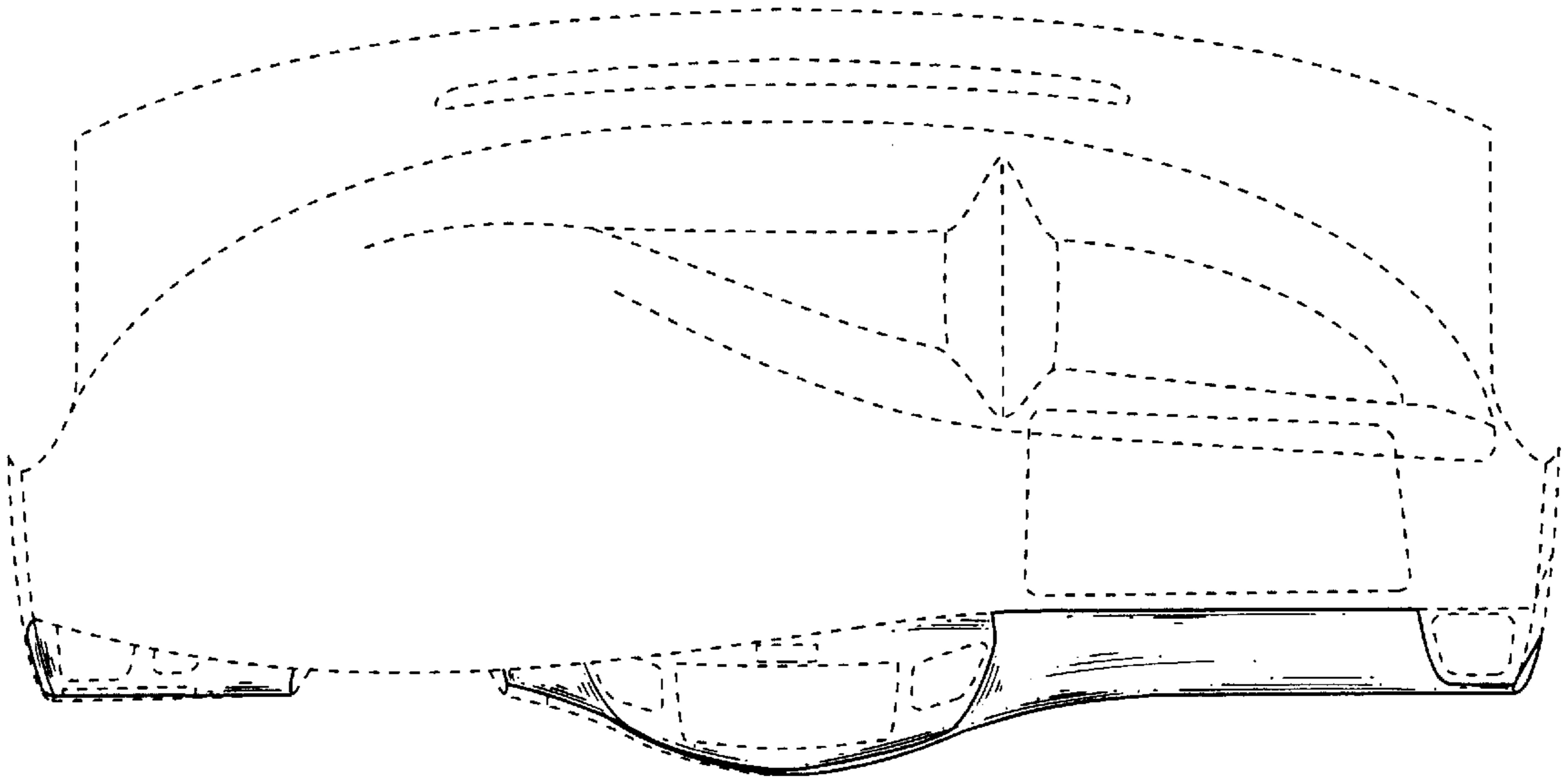


FIG. 5

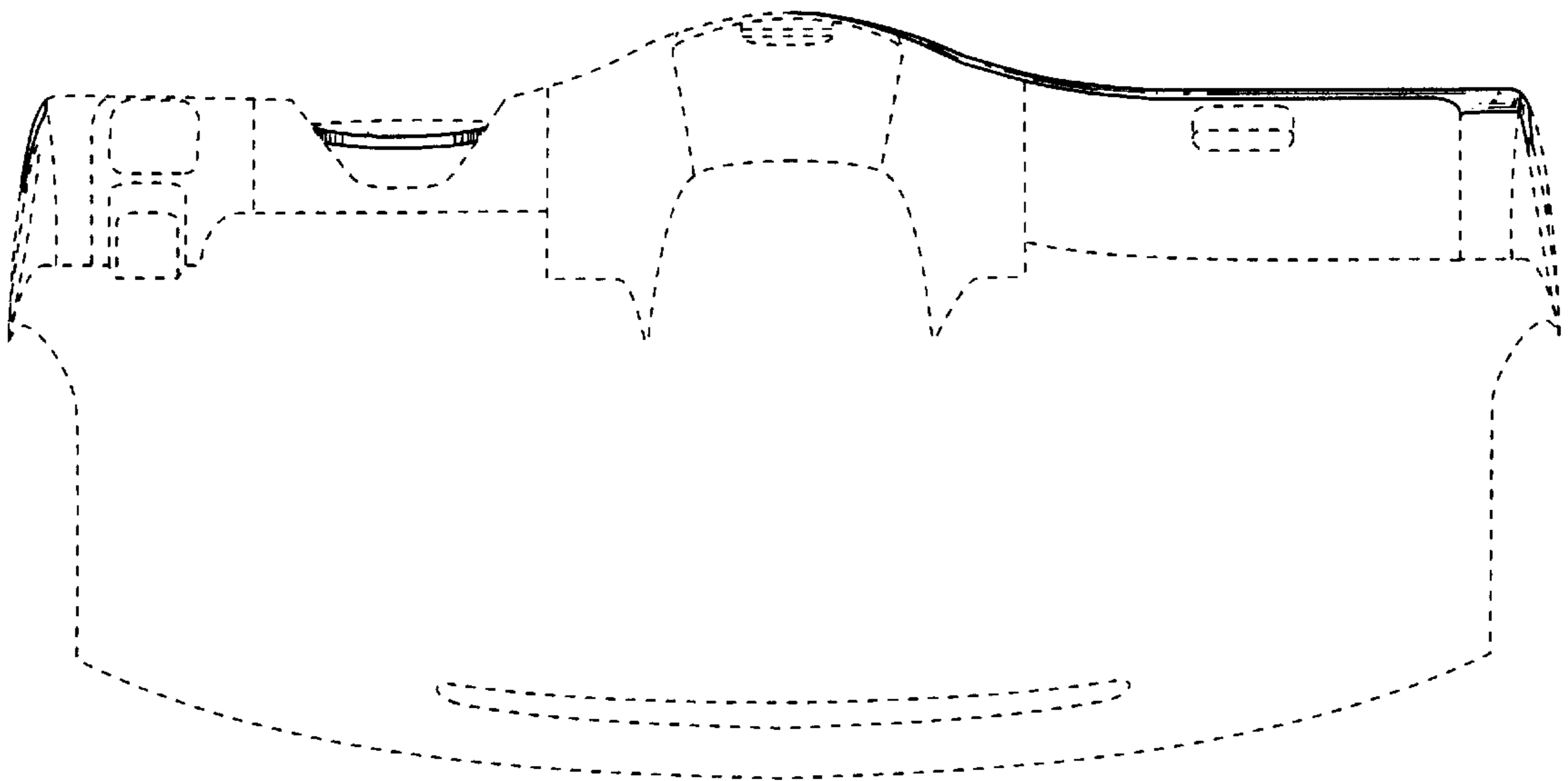


FIG. 6

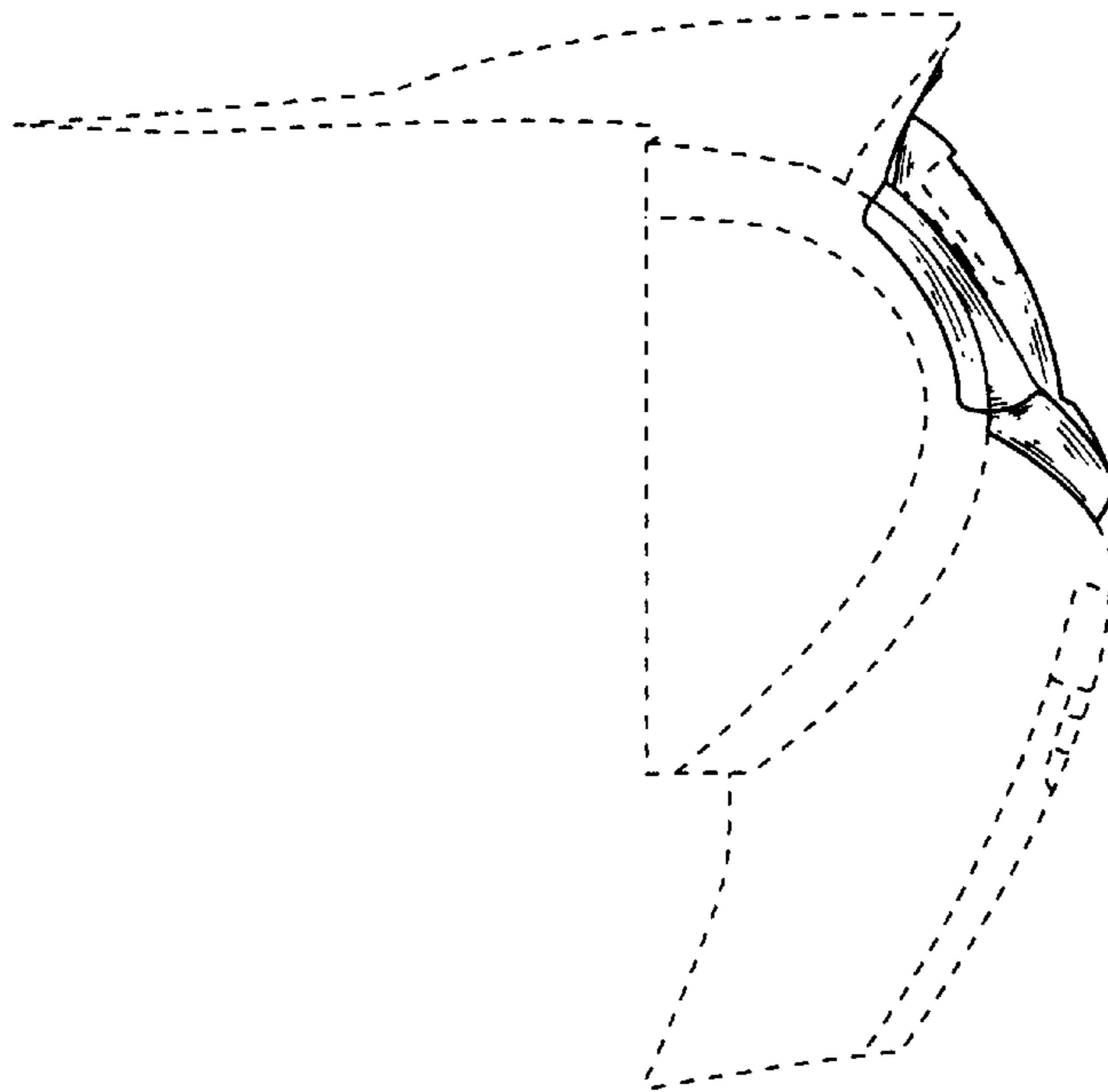


FIG. 7

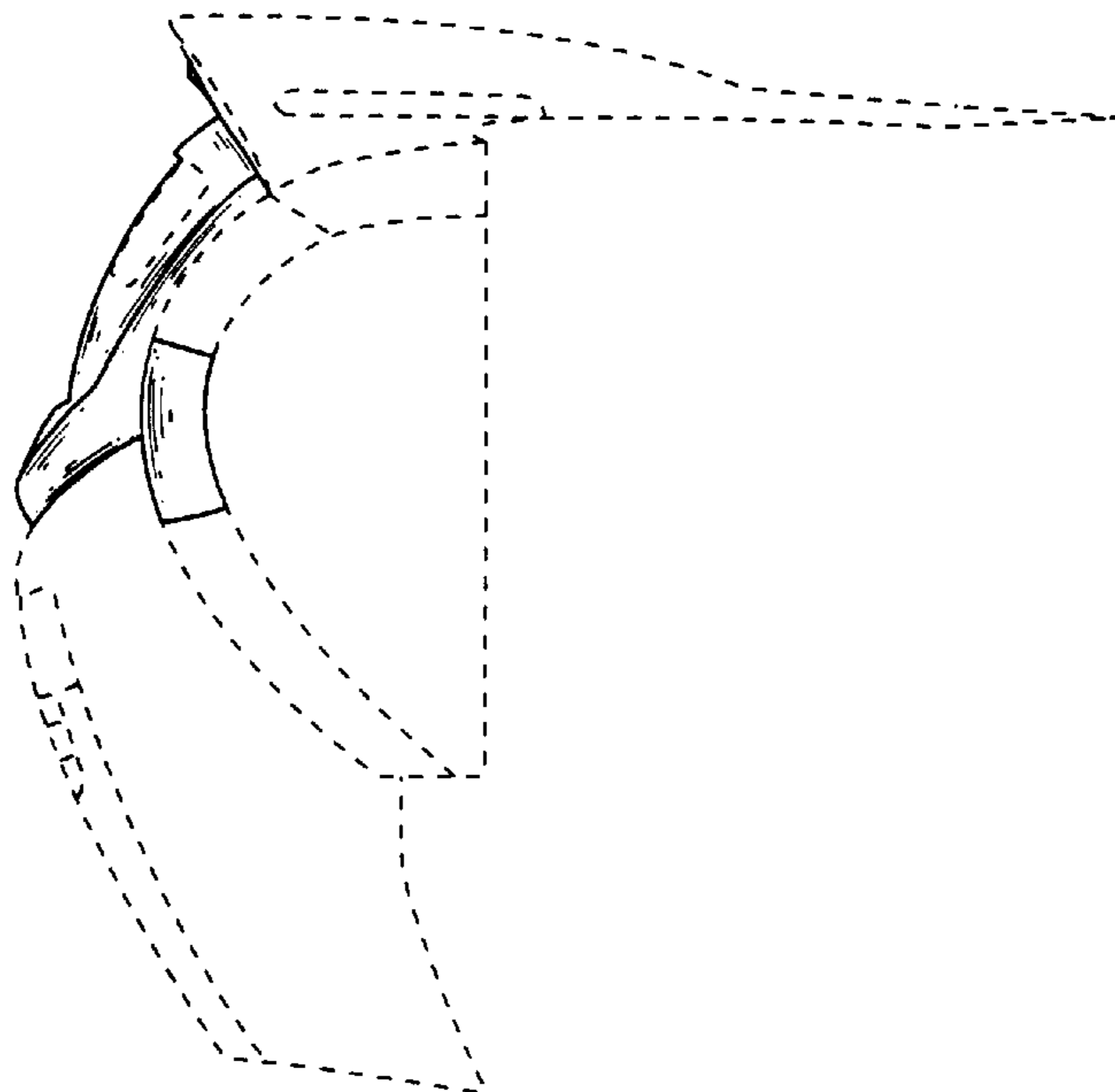


FIG. 8

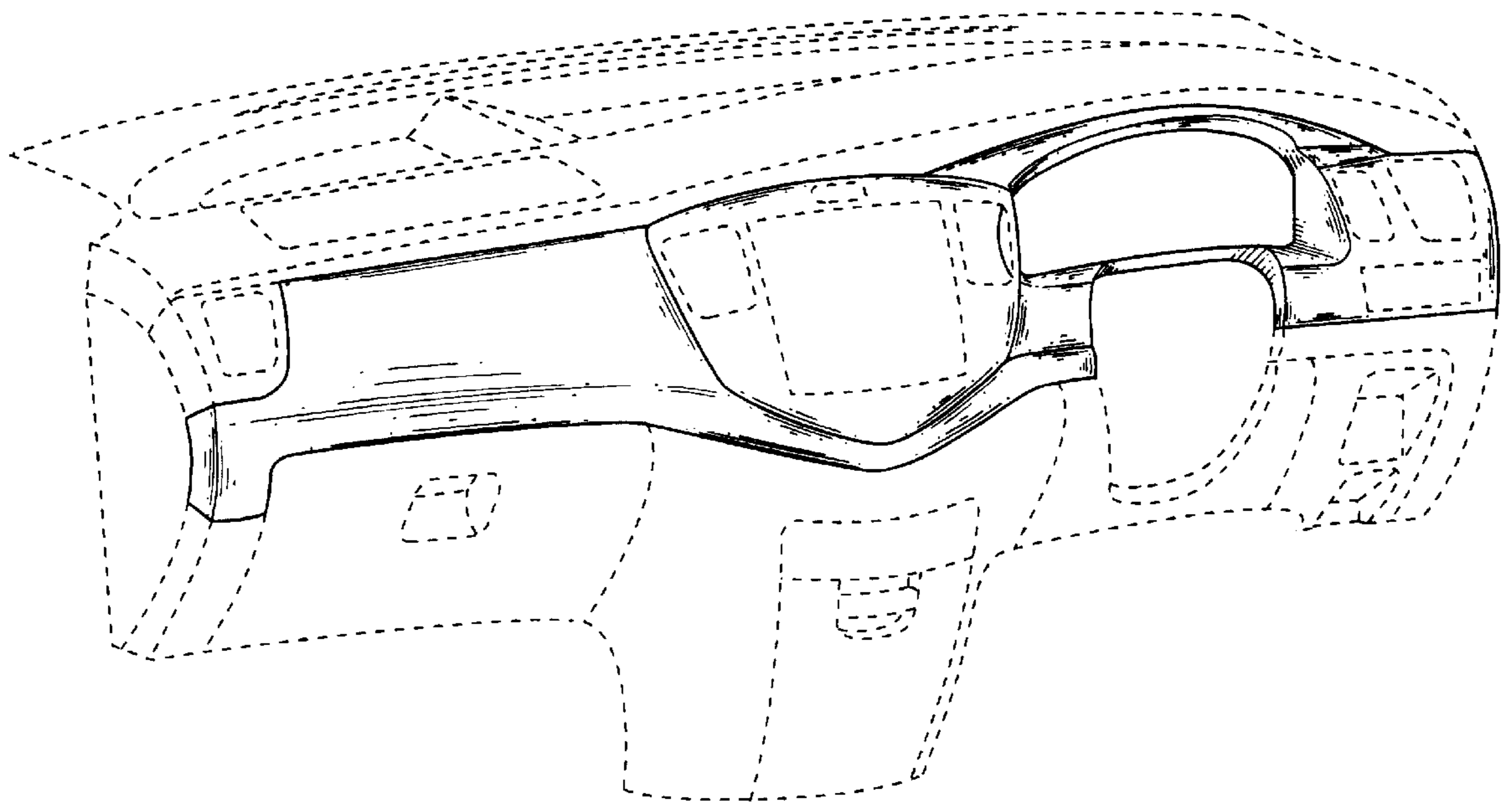


FIG. 9

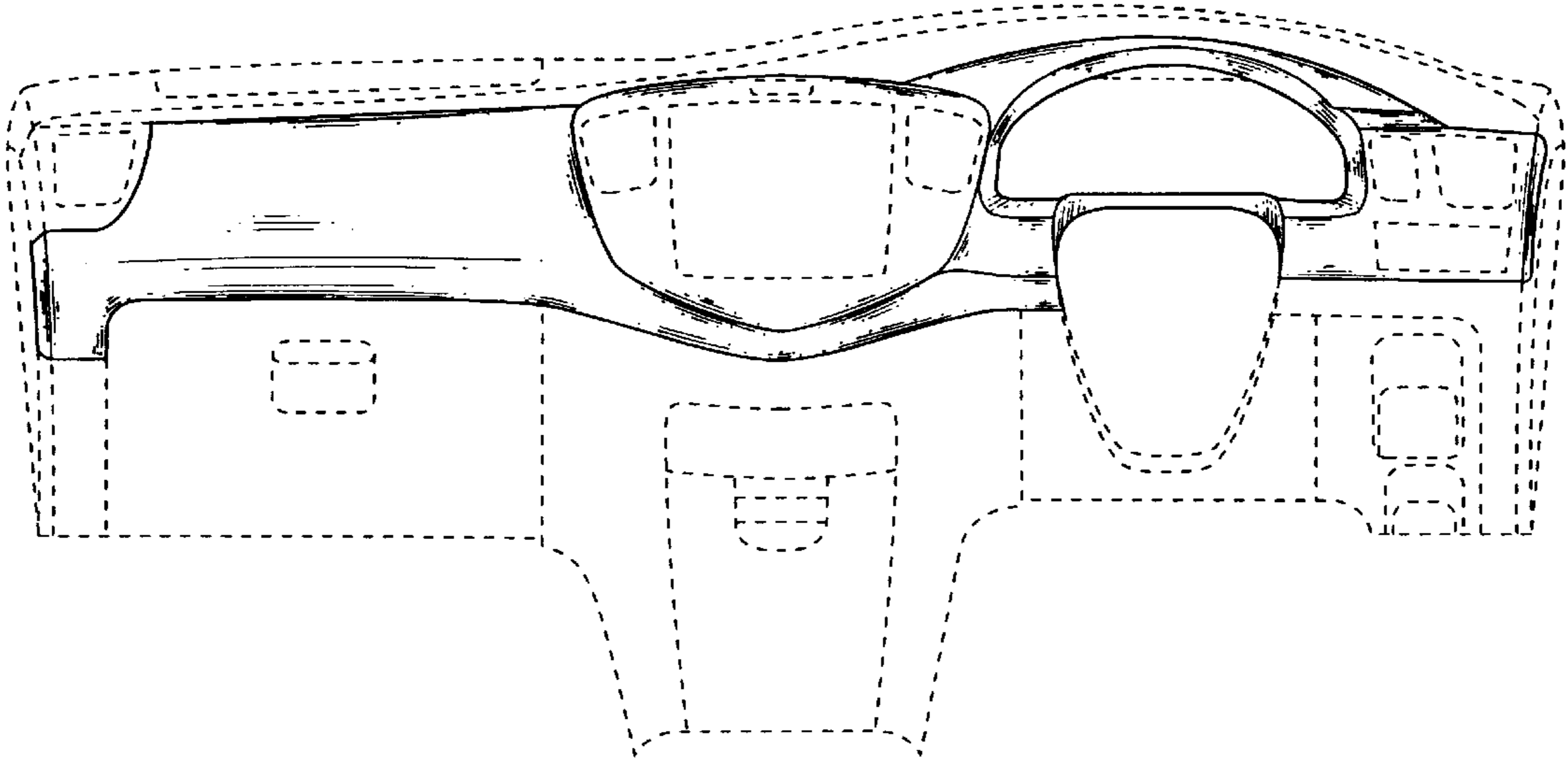


FIG. 10

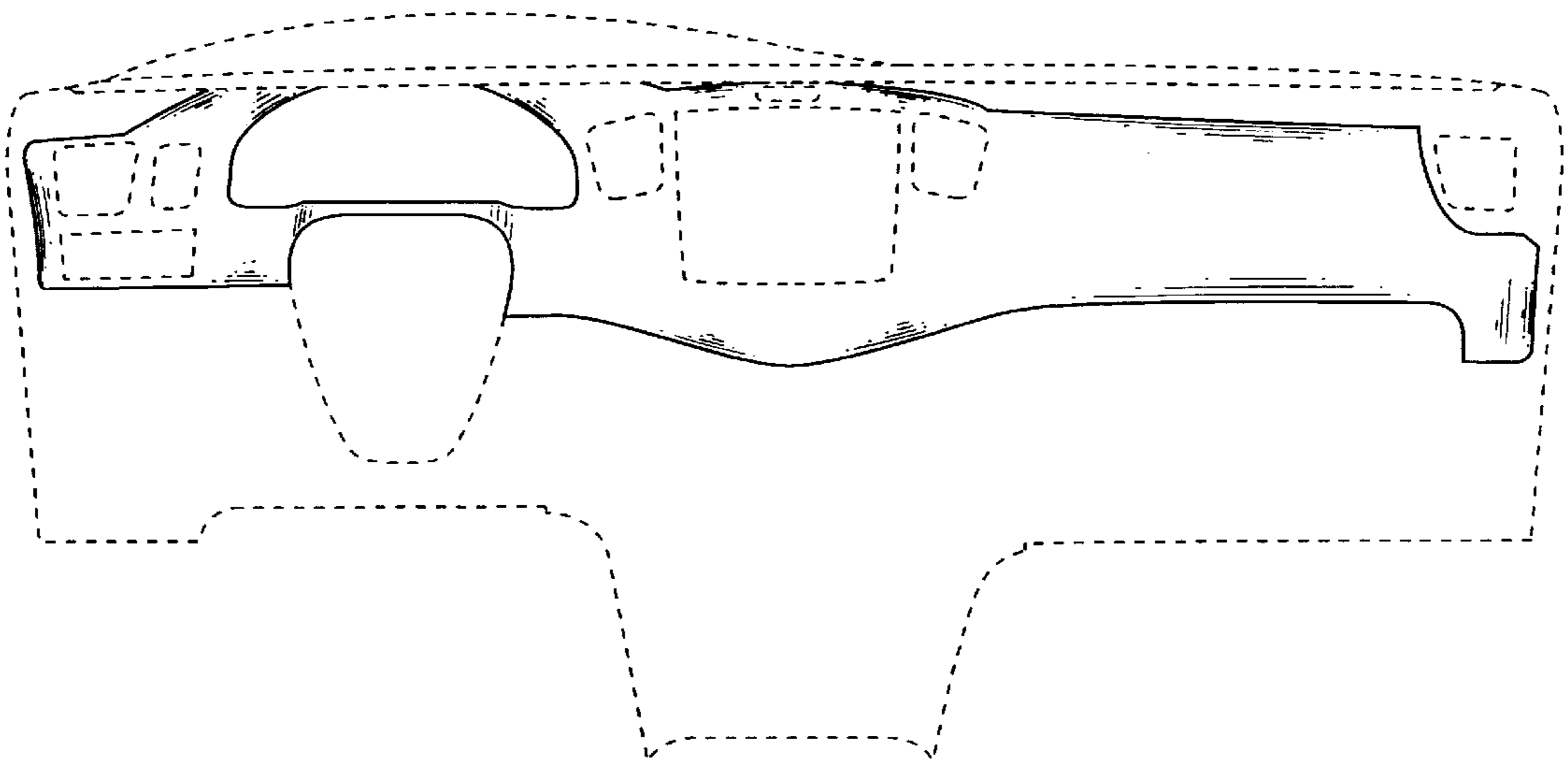


FIG. 11

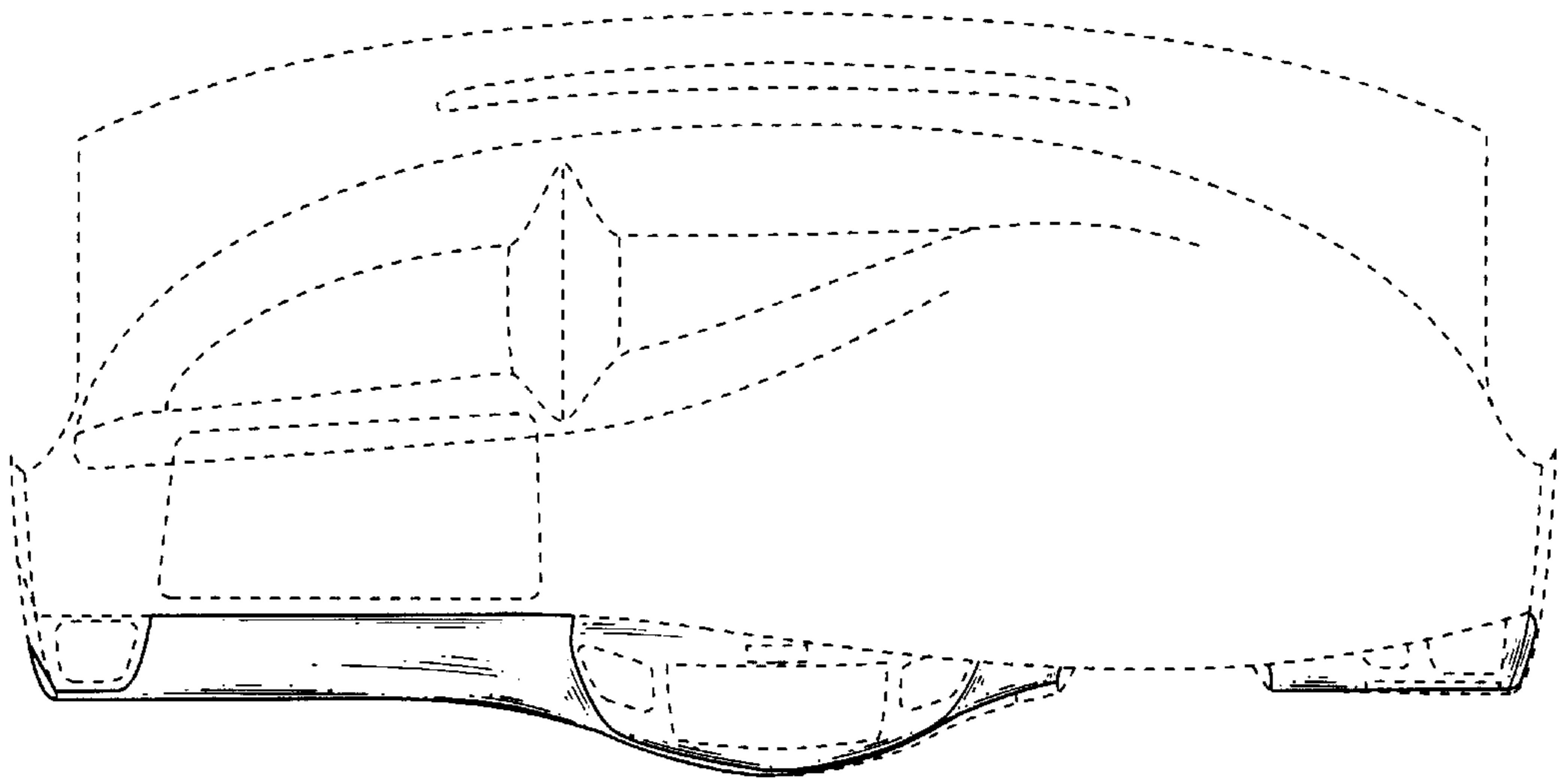


FIG. 12

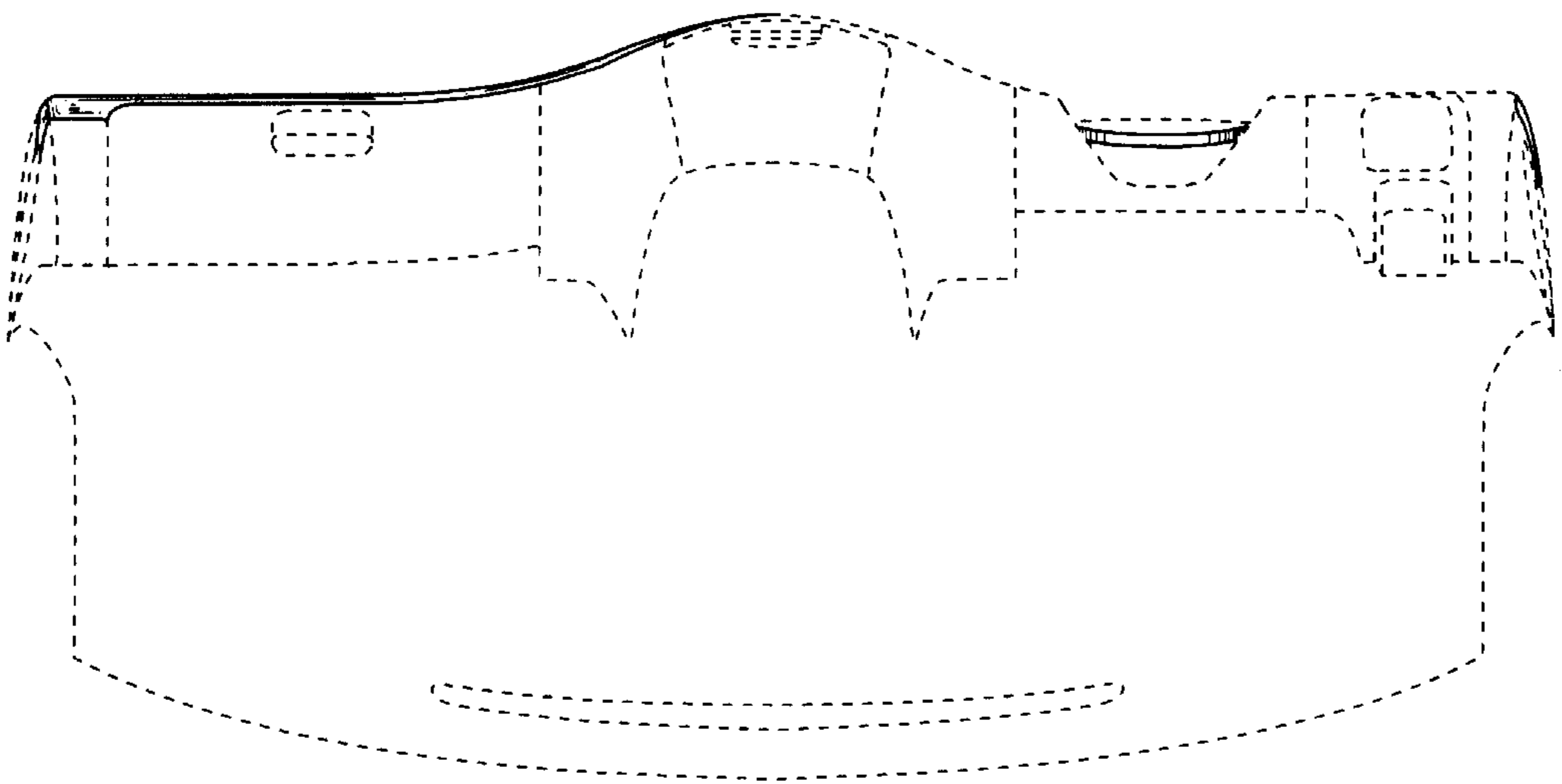


FIG. 13

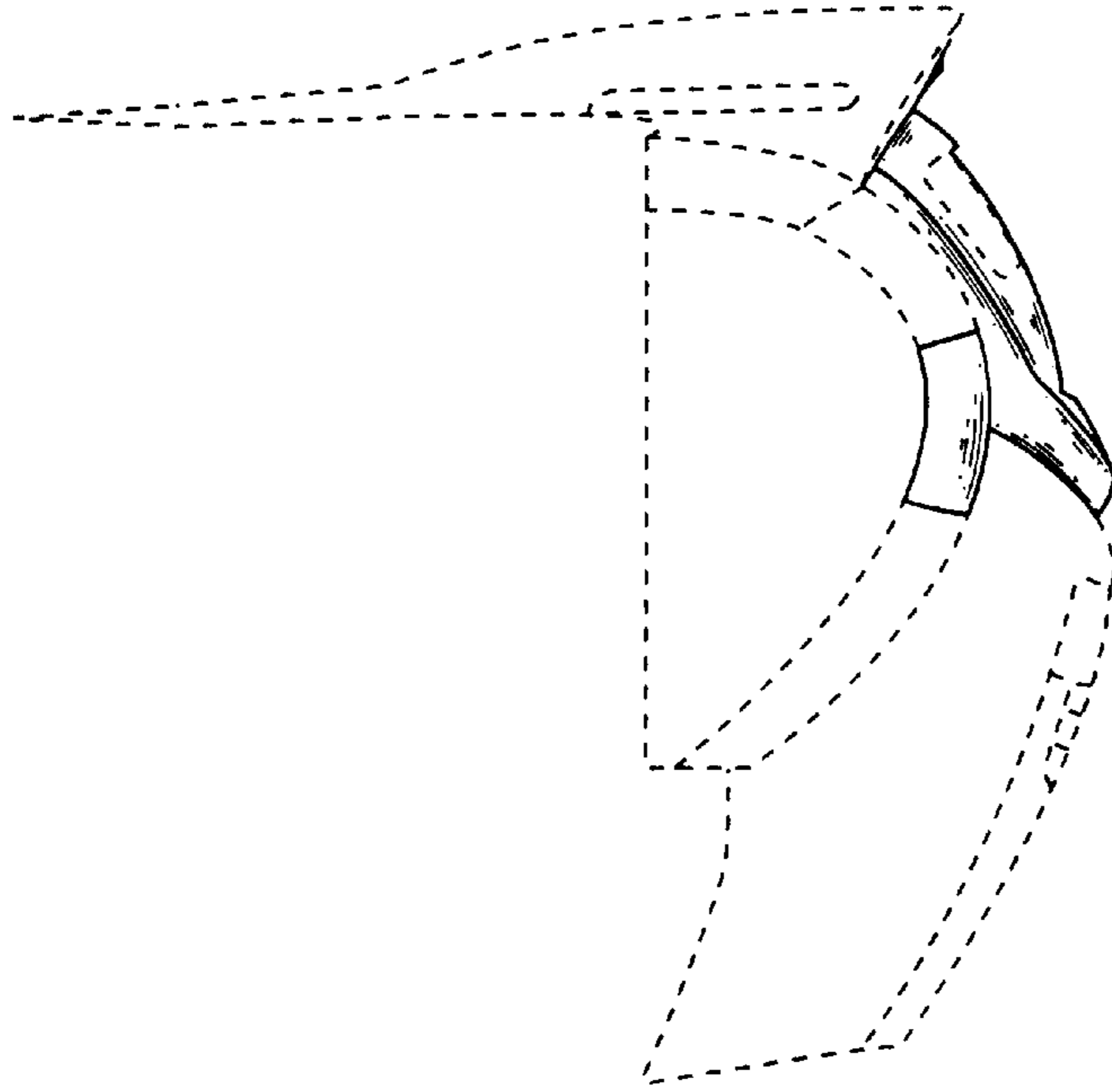


FIG. 14

