



US00D423428S

United States Patent [19]

Musselman et al.

[11] **Patent Number: Des. 423,428**

[45] **Date of Patent: ** Apr. 25, 2000**

[54] **TAPERED TRACTION STUD**

D. 392,925	3/1998	Staszak	D12/154
3,766,956	10/1973	Ruane et al.	152/208
3,934,632	1/1976	Kalpin et al.	152/210

[75] Inventors: **James Musselman; Robert Musselman; Mark Musselman**, all of Hope, Mich.

Primary Examiner—Robert M. Spear
Attorney, Agent, or Firm—John J. Swartz

[73] Assignee: **International Engineering and Manufacturing Inc.**, Hope, Mich.

[57] **CLAIM**

[**] Term: **14 Years**

The ornamental design for a tapered traction stud, as shown and described.

[21] Appl. No.: **29/106,014**

DESCRIPTION

[22] Filed: **Jun. 4, 1999**

[51] **LOC (6) Cl.** **12-15**

[52] **U.S. Cl.** **D12/154**

[58] **Field of Search** D12/7, 153, 154;
36/59 R; 152/208, 210; 301/41.1, 43, 44.1,
44.2; 305/178

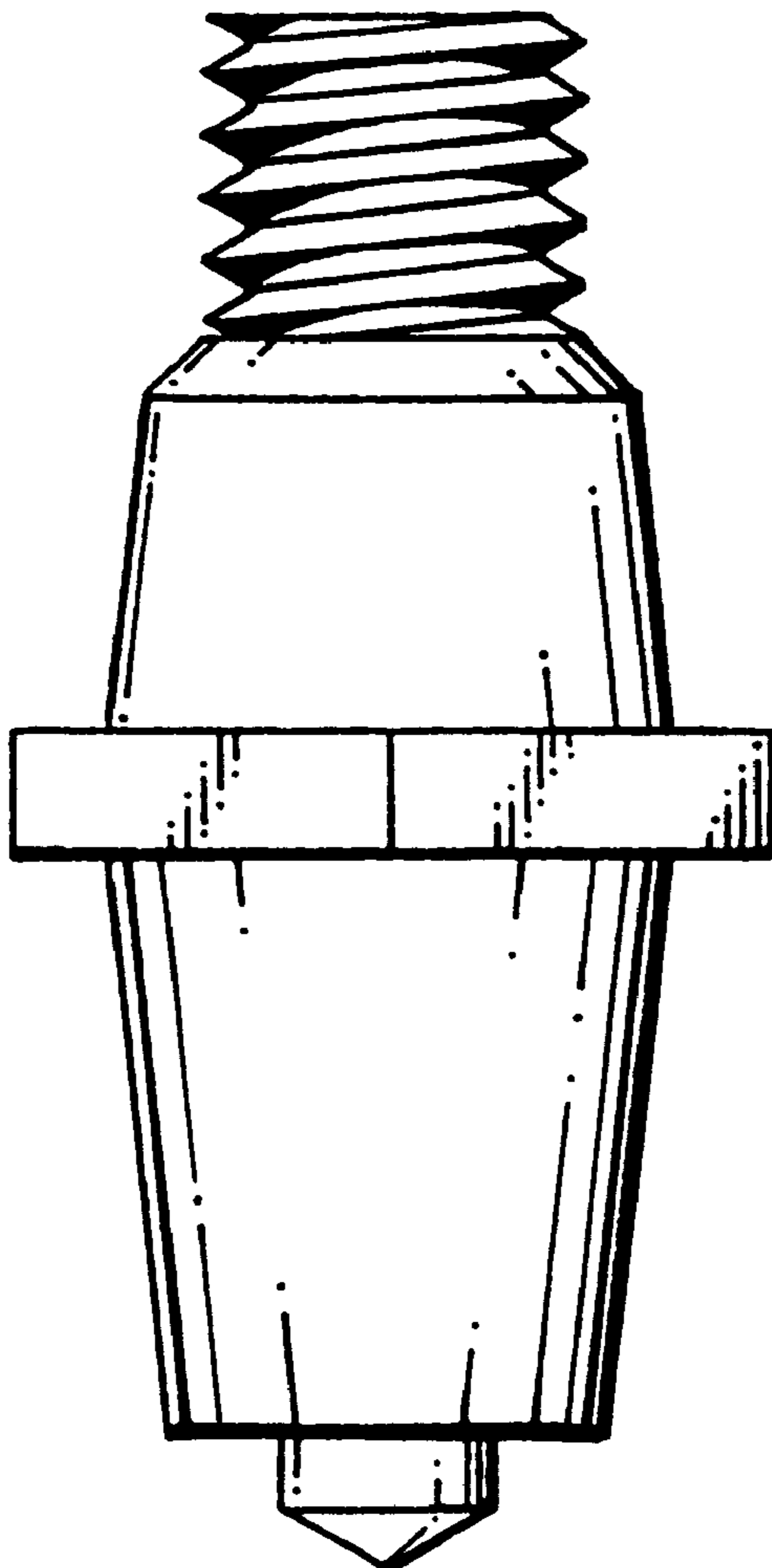
FIG. 1 is a top plan view of a tapered traction stud, showing our new design according to the present invention;
FIG. 2 is a bottom plan view thereof;
FIG. 3 is a front elevational view as viewed in FIG. 1, the rear elevational view viewing a mirror image; and,
FIG. 4 is a side elevational view taken from the right side of FIG. 1, it being understood that the left hand elevational opposite side view is a mirror image thereof.

[56] **References Cited**

U.S. PATENT DOCUMENTS

D. 305,222 12/1989 Geib D12/153

1 Claim, 1 Drawing Sheet



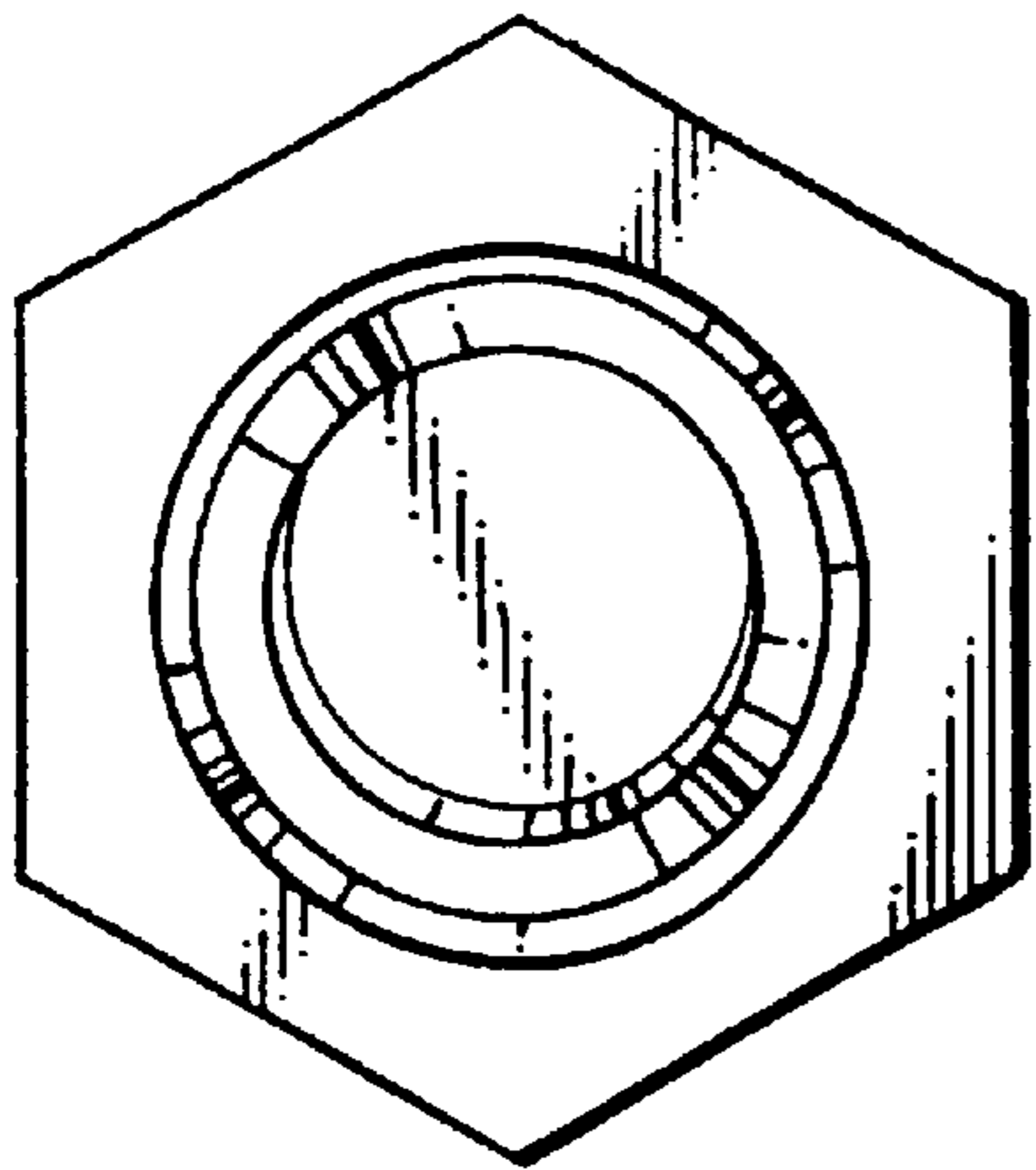


FIG. 1

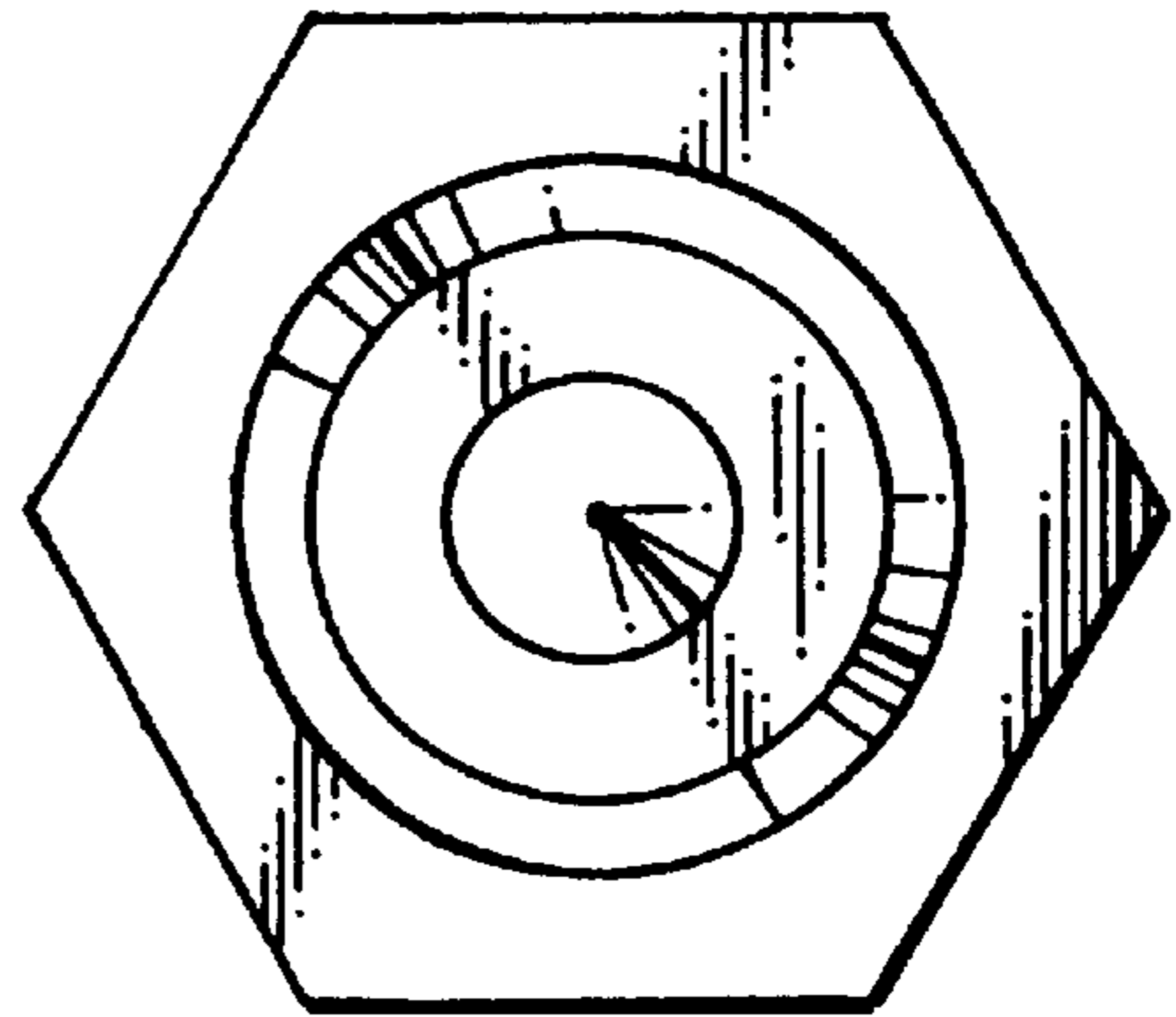


FIG. 2

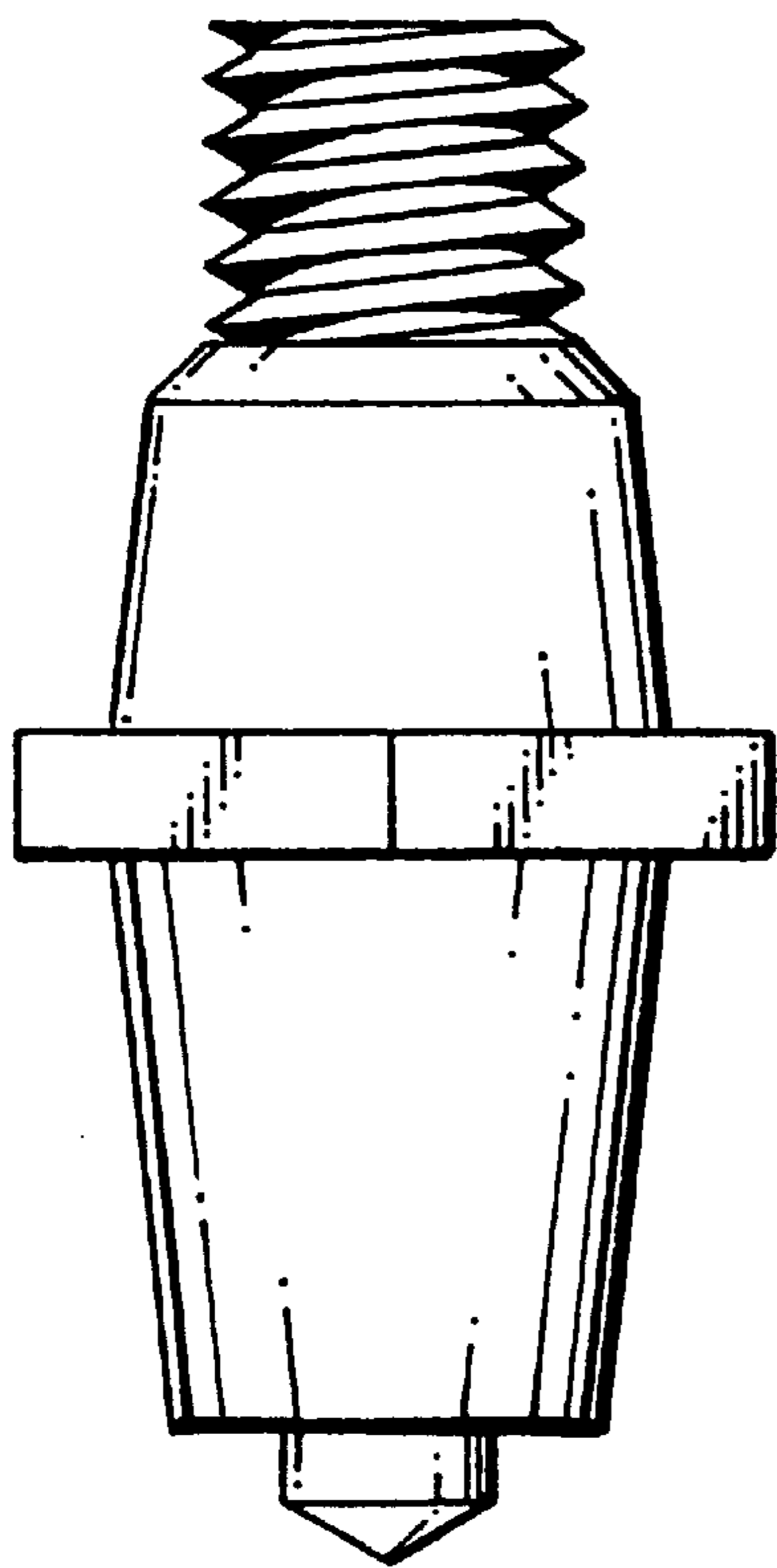


FIG. 3

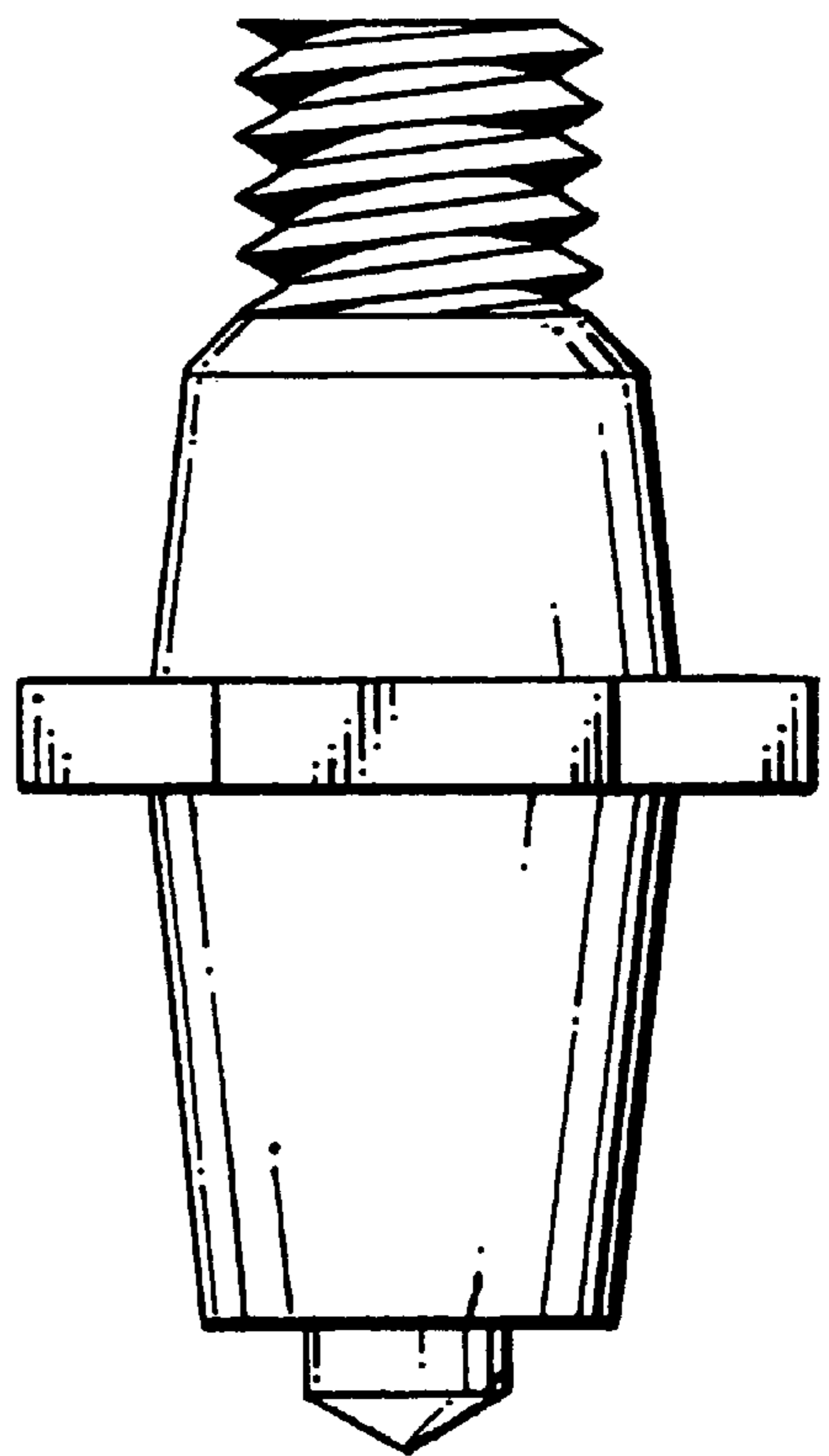


FIG. 4