



US00D423426S

**United States Patent** [19]  
**Ratliff, Jr.**

[11] **Patent Number: Des. 423,426**

[45] **Date of Patent: \*\* Apr. 25, 2000**

[54] **TIRE TREAD**

[75] Inventor: **Billy Joe Ratliff, Jr.**, Akron, Ohio

[73] Assignee: **The Goodyear Tire & Rubber Company**, Akron, Ohio

[\*\*] Term: **14 Years**

[21] Appl. No.: **29/106,162**

[22] Filed: **Jun. 10, 1999**

[51] **LOC (6) Cl.** ..... **12-15**

[52] **U.S. Cl.** ..... **D12/147**

[58] **Field of Search** ..... D12/138-152;  
152/209.1, 209.8, 209.9, 209.11, 209.13,  
209.28, 900, 901, 902, 903

[56] **References Cited**

**U.S. PATENT DOCUMENTS**

- D. 88,781 12/1932 Gunsaulus .
- D. 278,893 5/1985 Lash .
- D. 322,236 12/1991 Maxwell et al. .
- D. 334,909 4/1993 Brayer et al. .

- D. 336,627 6/1993 Hirose .
- D. 342,224 12/1993 Graas et al. .
- D. 416,835 11/1999 Iida et al. .... D12/147

*Primary Examiner*—Robert M. Spear  
*Attorney, Agent, or Firm*—T P Lewandowski

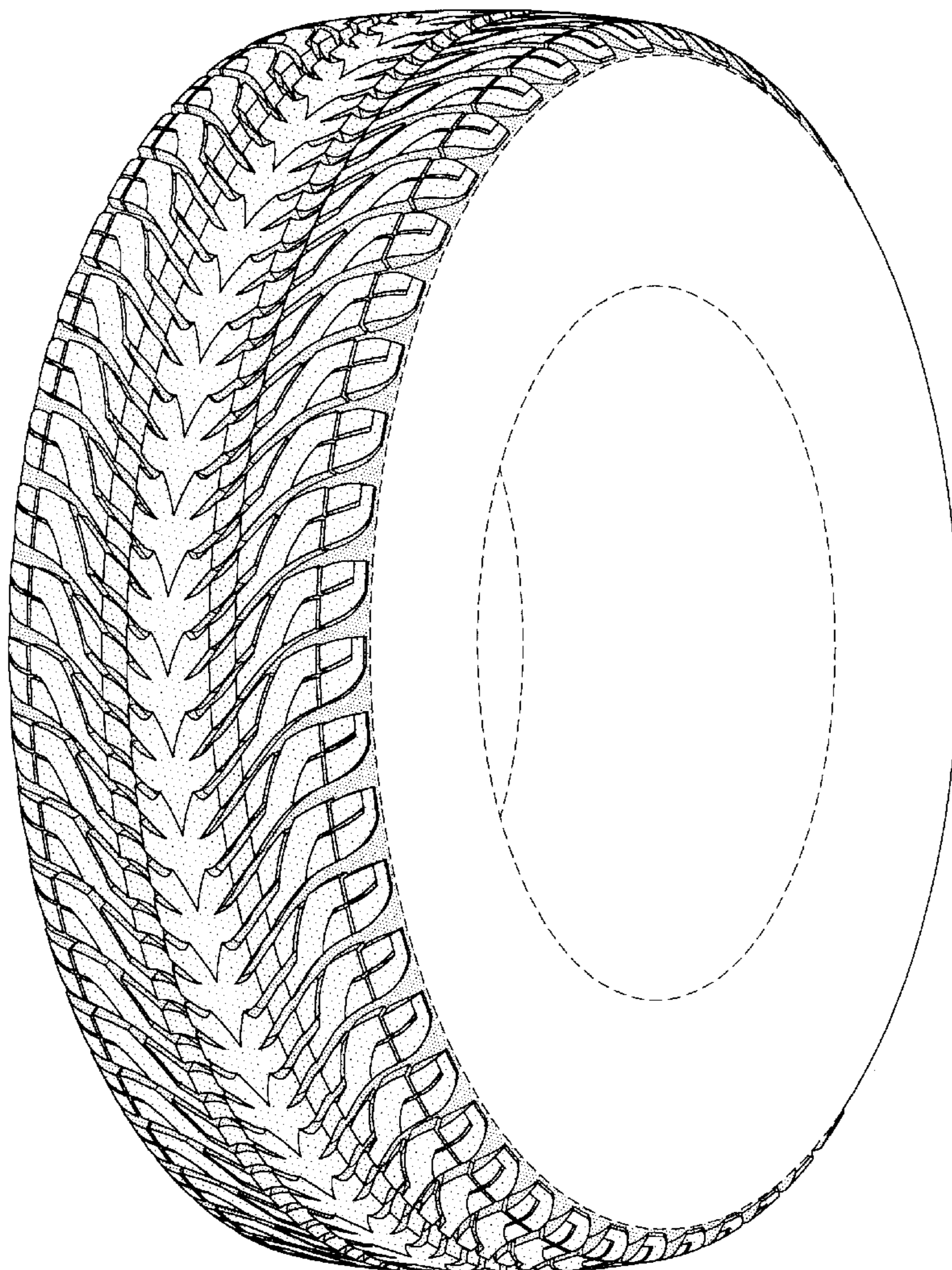
[57] **CLAIM**

The ornamental design for a tire tread, as shown and described.

**DESCRIPTION**

FIG. 1 is a perspective view of a tire tread showing our new design, it being understood that the pattern repeats uniformly throughout the circumference of the tread; FIG. 2 is a front elevational view thereof; FIG. 3 is a side elevational view thereof, the opposite side elevational view being a mirror image thereof; and, FIG. 4 is an enlarged fragmentary perspective view. In the drawings, the broken lines defining the inner bead of the sidewall and the peripheral boundary between the tire tread and the sidewall are for illustrative purposes only and form no part of the claimed design.

**1 Claim, 4 Drawing Sheets**



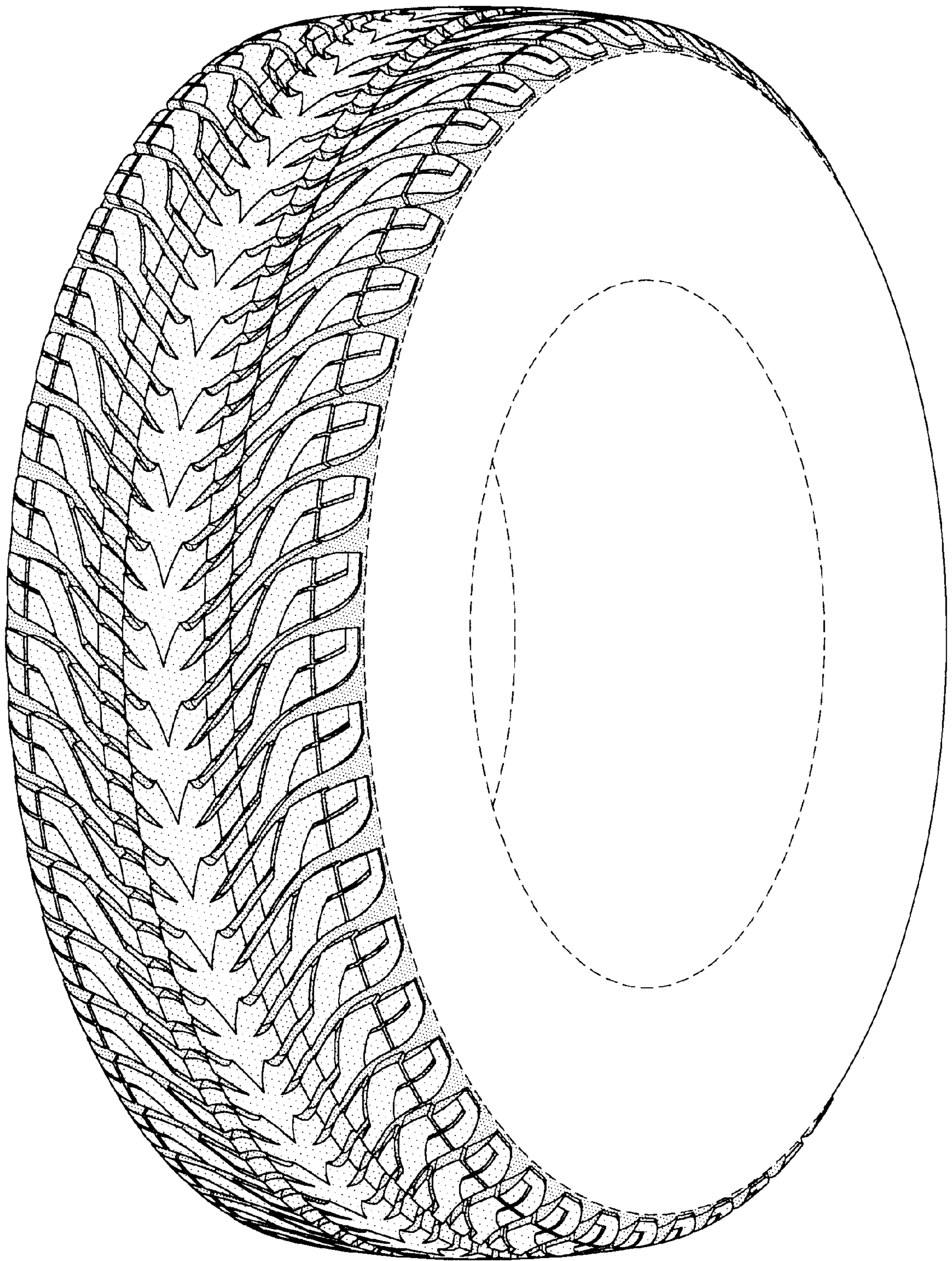


FIG-1

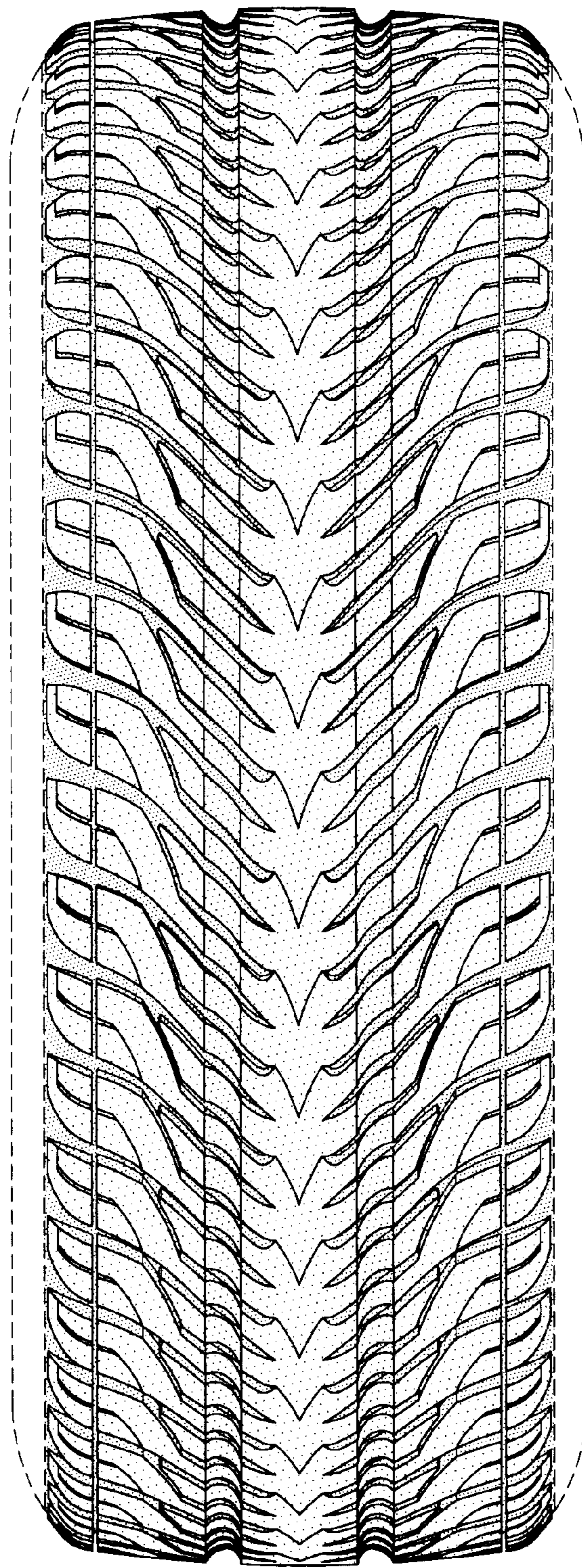


FIG-2

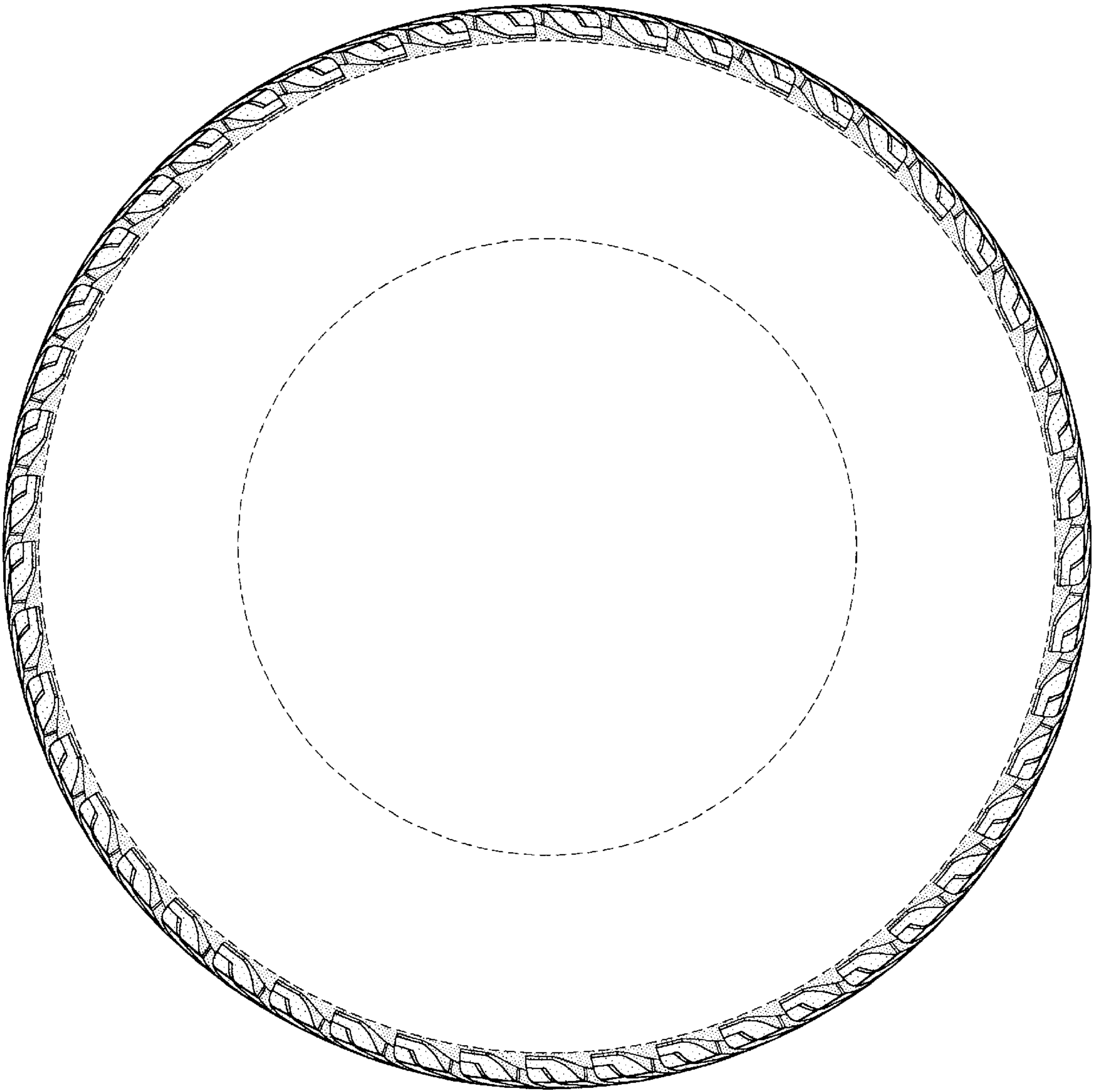


FIG-3

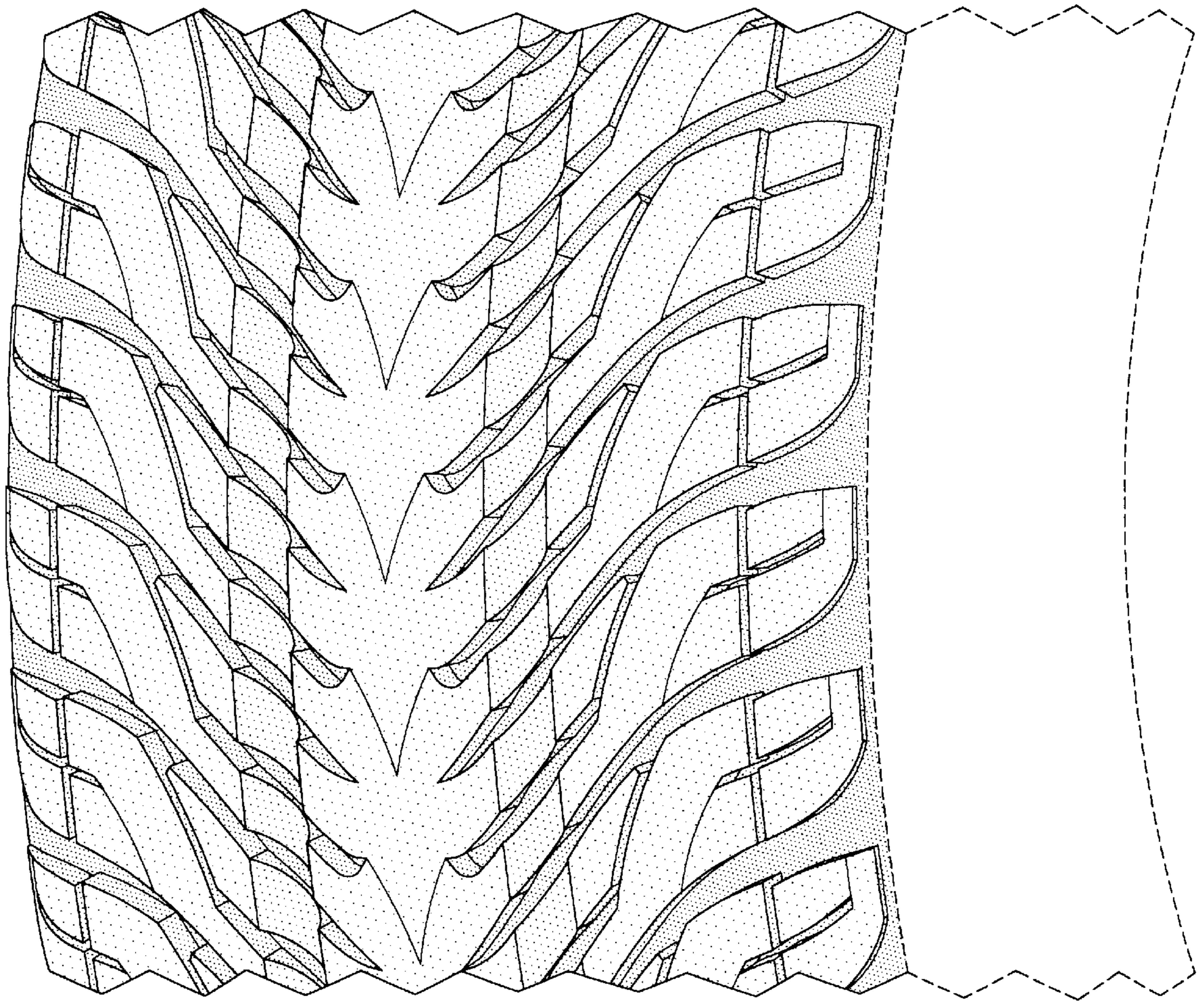


FIG-4