



US00D423422S

United States Patent [19]

Selover et al.

[11] Patent Number: Des. 423,422

[45] Date of Patent: ** Apr. 25, 2000

[54] TIRE THREAD

[75] Inventors: **Mark Henry Selover**, Clinton; **Eric John Marazzi**, Akron; **Christine Ann Demagall**, Medina; **Michael Joseph Weber**, Mogadore, all of Ohio

[73] Assignee: **The Goodyear Tire & Rubber Company**, Akron, Ohio

[**] Term: **14 Years**

[21] Appl. No.: **29/106,831**

[22] Filed: **Jun. 22, 1999**

[51] LOC (6) Cl. **12-15**

[52] U.S. Cl. **D12/146**

[58] Field of Search D12/138-152;
152/209.1, 209.8, 209.9, 209.11, 209.13,
209.28, 900, 901, 902, 903

[56] References Cited

U.S. PATENT DOCUMENTS

- D. 304,434 11/1989 Schüller .
- D. 315,128 3/1991 Graas et al. .
- D. 315,129 3/1991 Graas et al. .
- D. 333,116 2/1993 Amero .
- D. 334,160 3/1993 Woo D12/146
- D. 334,909 4/1993 Brayer et al. .
- D. 342,223 12/1993 McKisson et al. D12/146
- D. 365,794 1/1996 Weber et al. .
- D. 377,330 1/1997 Kakegawa et al. .
- D. 401,895 12/1998 Aull et al. .
- D. 403,282 12/1998 Aull et al. D12/147

FOREIGN PATENT DOCUMENTS

930530 7/1993 Norway .

OTHER PUBLICATIONS

Kumho V700 Victoracer Tire, 1998 Tread Design Guide, p. 42. 1/1, Jan. 1998.

Pirelli P Zero System Tire, 1998 Tread Design Guide, p. 59. 1/5, Jan. 1998.

Yokohama A008 Tire, 1998 Tread Design Guide, p. 77. 2/4, Jan. 1998.

Primary Examiner—Robert M. Spear
Attorney, Agent, or Firm—T P Lewandowski

[57] CLAIM

The ornamental design for a tire tread, as shown and described.

DESCRIPTION

FIG. 1 is a perspective view of a tire tread showing our new design, it being understood that the pattern repeats uniformly throughout the circumference of the tread;

FIG. 2 is a front elevational view thereof;

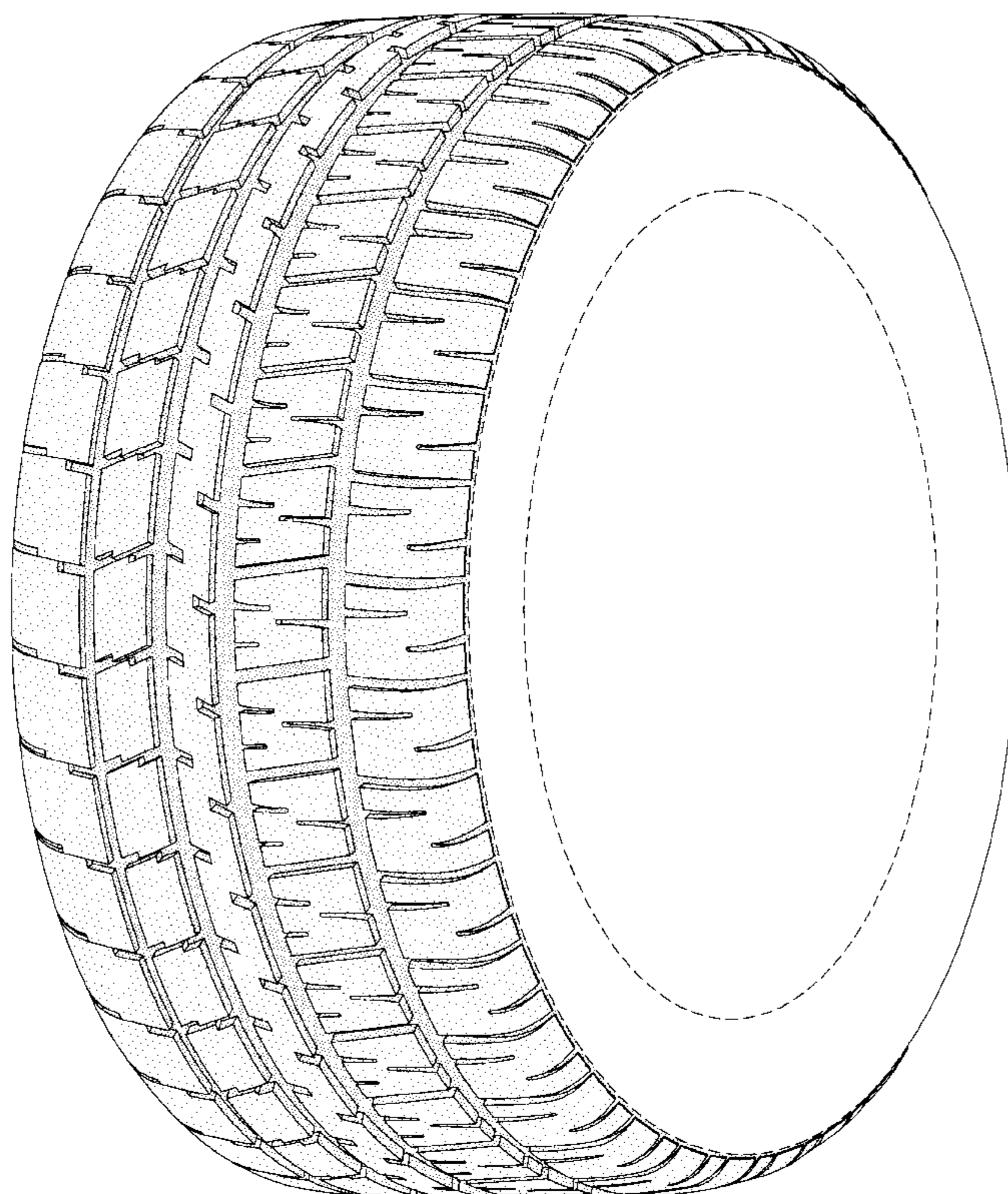
FIG. 3 is a right side elevational view thereof;

FIG. 4 is a left side elevational view thereof; and,

FIG. 5 is an enlarged fragmentary perspective view.

In the drawings, the broken lines defining the inner bead of the sidewall and the peripheral boundary between the tire tread and the sidewall are for illustrative purposes only and form no part of the claimed design.

1 Claim, 5 Drawing Sheets



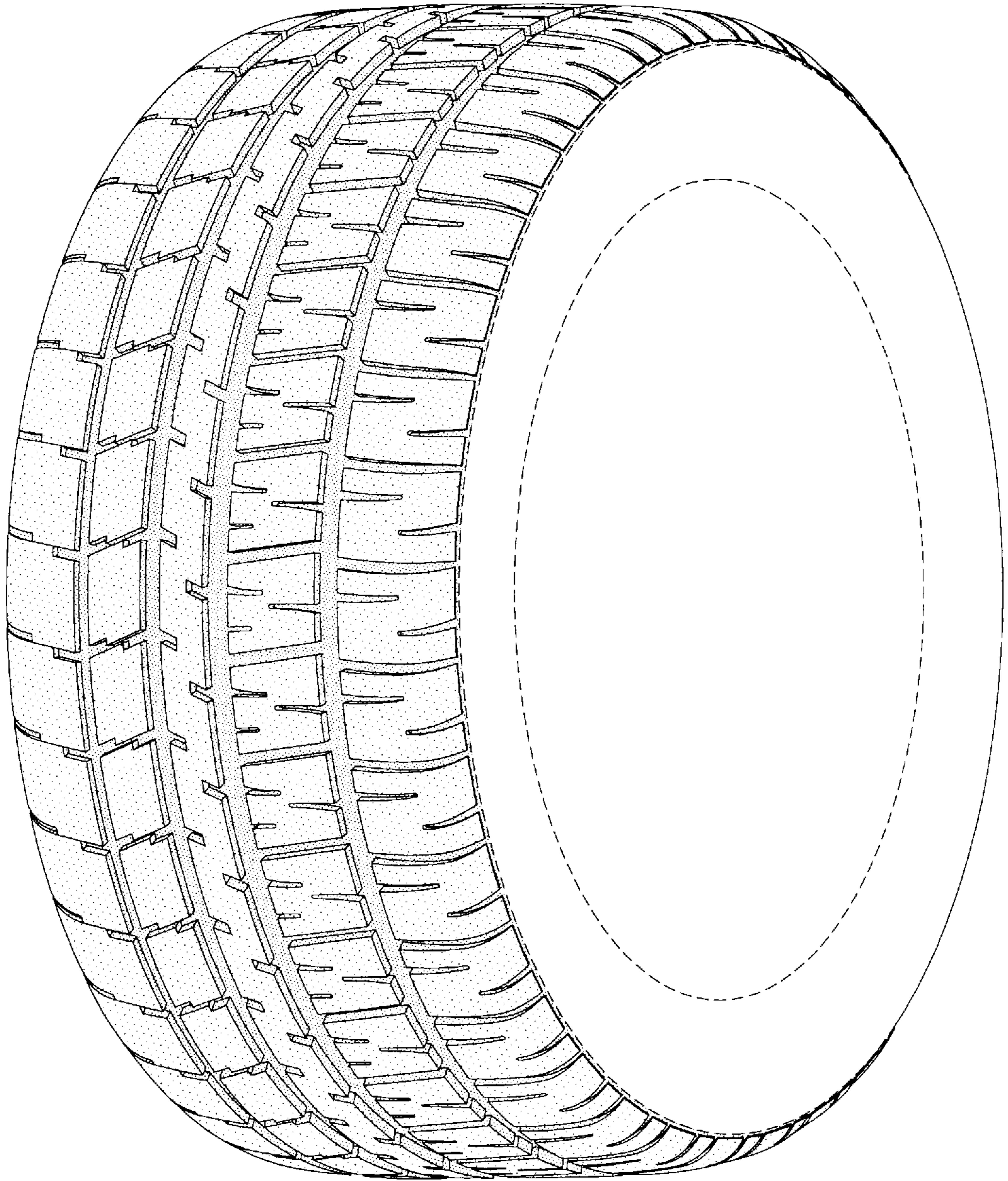


FIG-1

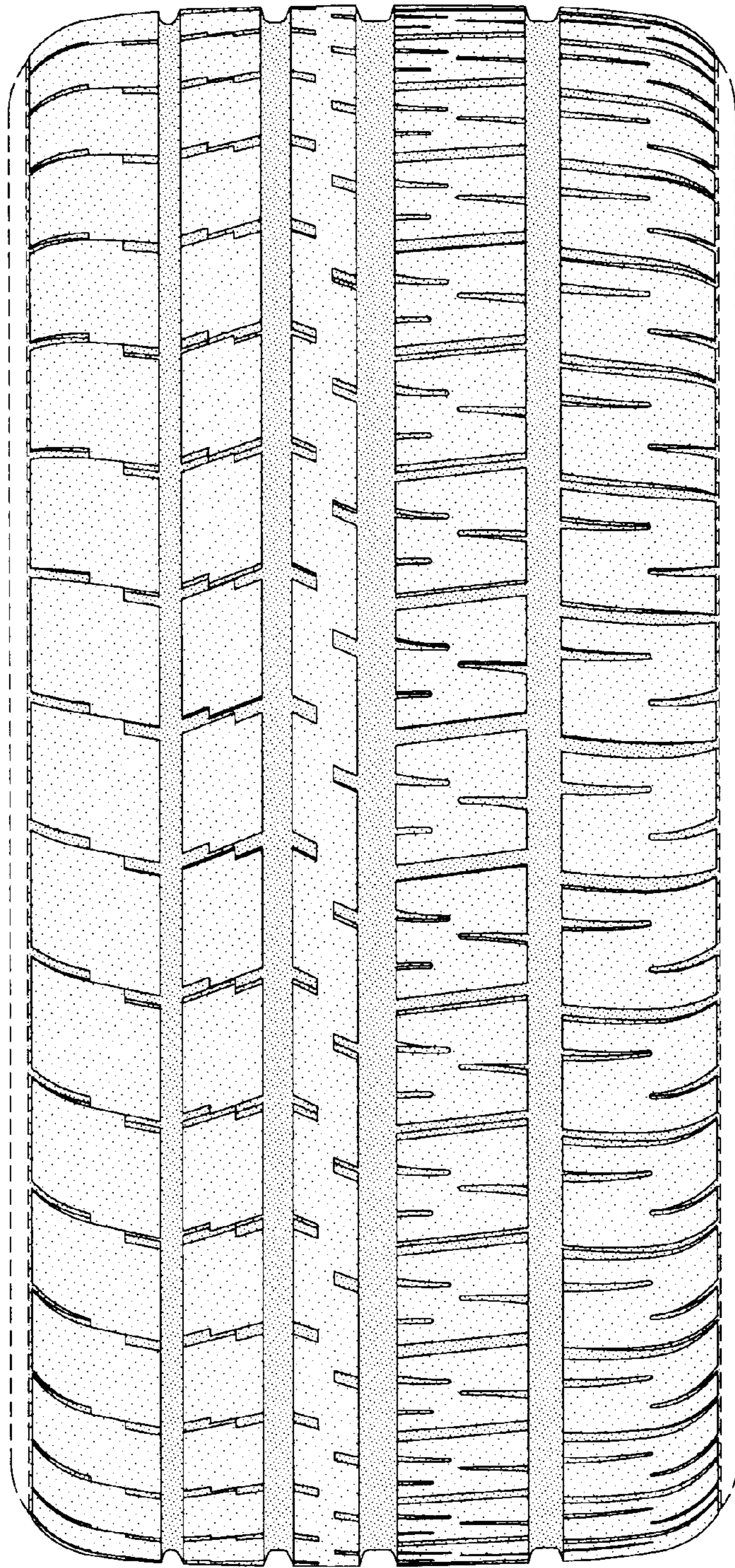


FIG-2

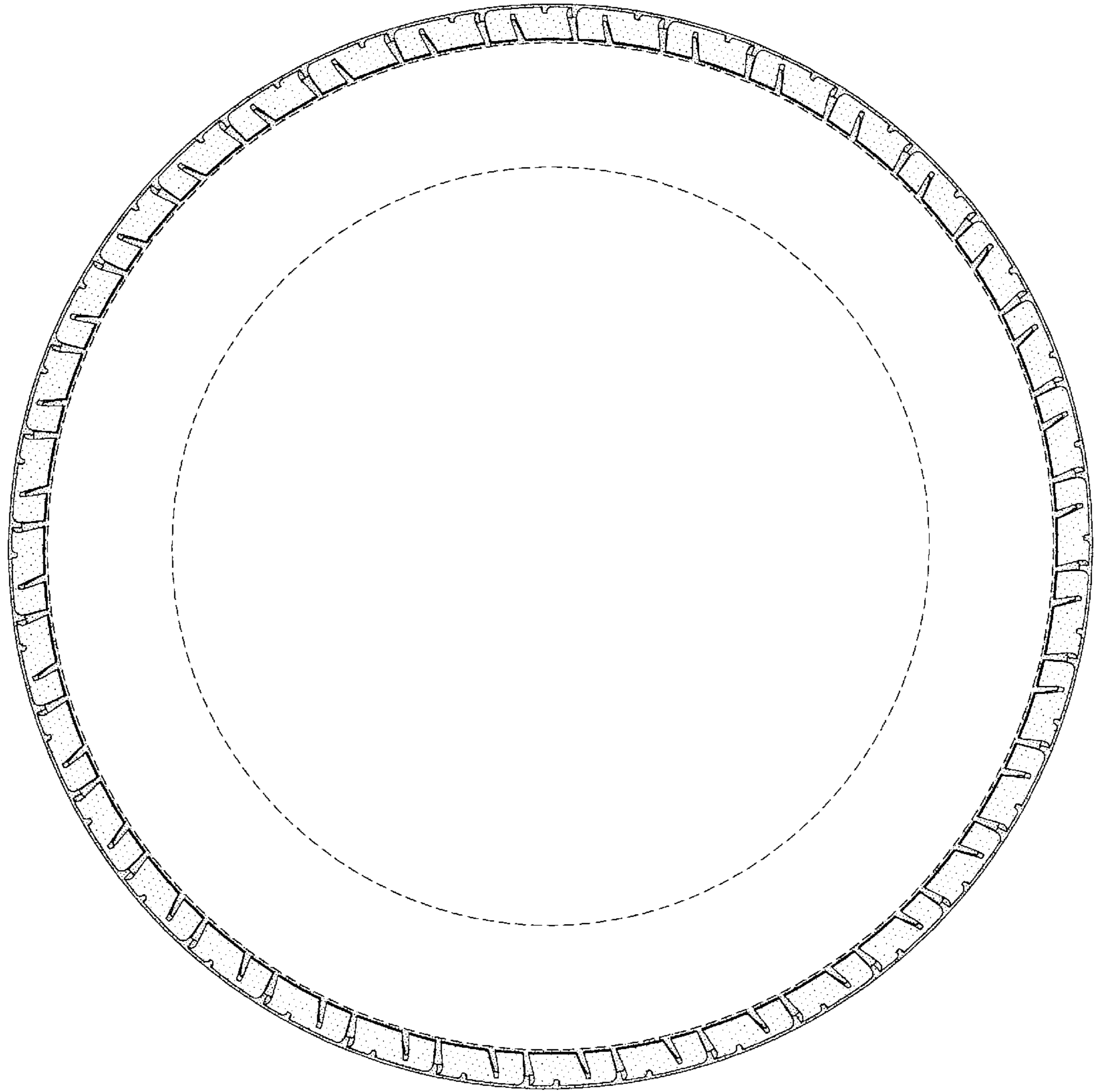


FIG-3

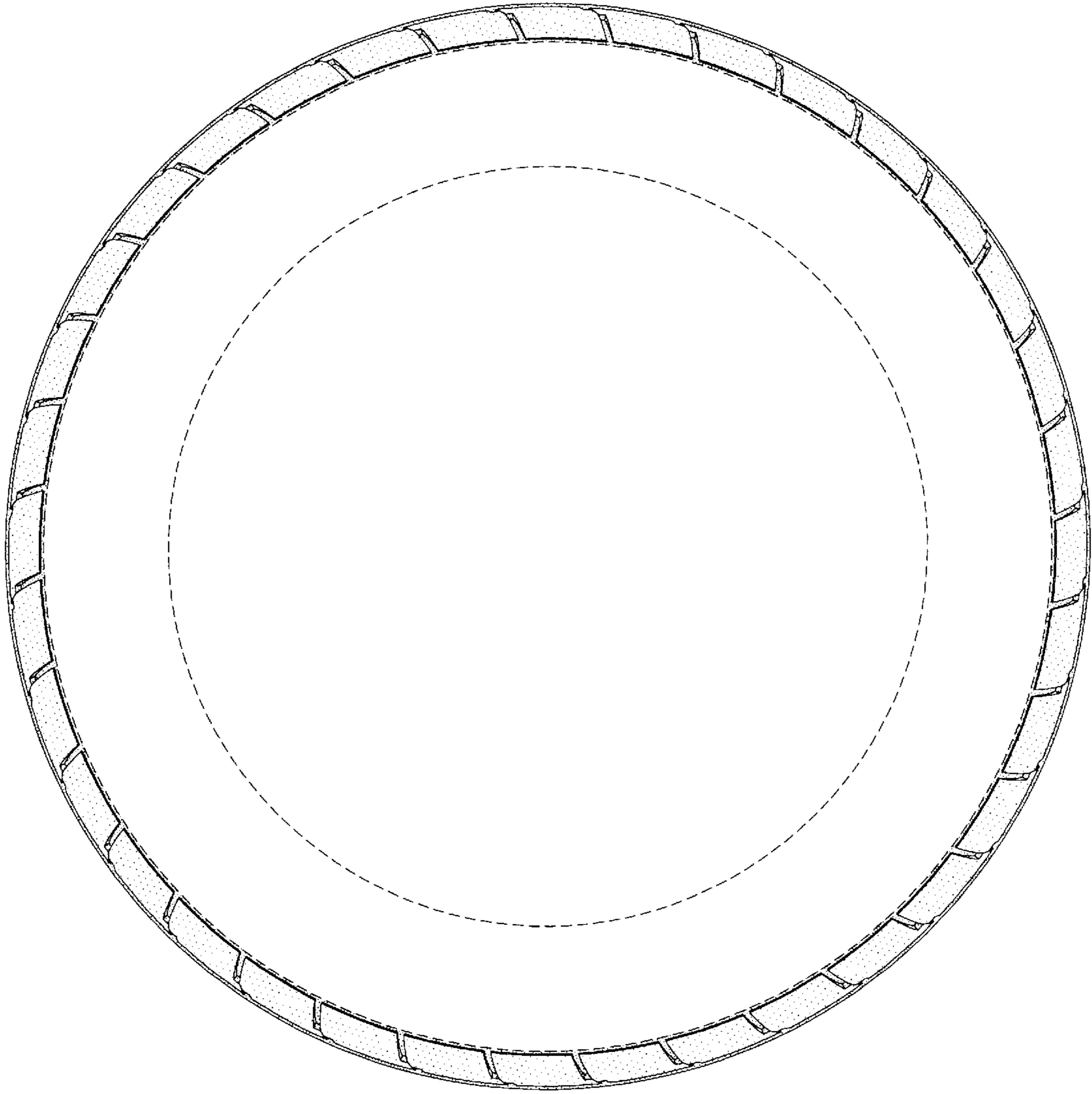


FIG-4



FIG-5