



US00D423415S

United States Patent [19]
McKay

[11] **Patent Number: Des. 423,415**

[45] **Date of Patent: ** Apr. 25, 2000**

[54] **FRAME NECK COVER FOR A MOTORCYCLE**

[76] Inventor: **Scot A. McKay**, 22841 Mariano St., Woodland Hills, Calif. 91367

[**] Term: **14 Years**

[21] Appl. No.: **29/107,004**

[22] Filed: **Jun. 24, 1999**

[51] **LOC (6) Cl.** **12-11**

[52] **U.S. Cl.** **D12/114**

[58] **Field of Search** D12/114, 110; 180/219, 218; 280/288.4, 769, 281.1

[56] **References Cited**

U.S. PATENT DOCUMENTS

D. 263,457	3/1982	Janning, Jr.	D12/114
D. 264,704	6/1982	Rehberg	D12/186
D. 376,123	12/1996	Camfield	D12/114
D. 376,775	12/1996	Fang	D12/117
5,020,625	6/1991	Yamauchi et al.	180/219
5,303,795	4/1994	Buell	180/219

Primary Examiner—Pamela Burgess

Attorney, Agent, or Firm—Richard D. Slehofer

[57] **CLAIM**

The ornamental design for a frame neck cover for a motorcycle, as shown and described.

DESCRIPTION

FIG. 1 is a side elevational view of a frame neck cover for a motorcycle showing my new design, the broken lines are for illustrative purposes only and form no part of the claimed design;

FIG. 2 is a perspective view thereof;

FIG. 3 is a front elevational view thereof;

FIG. 4 is a right elevational view thereof;

FIG. 5 is a rear elevational view thereof;

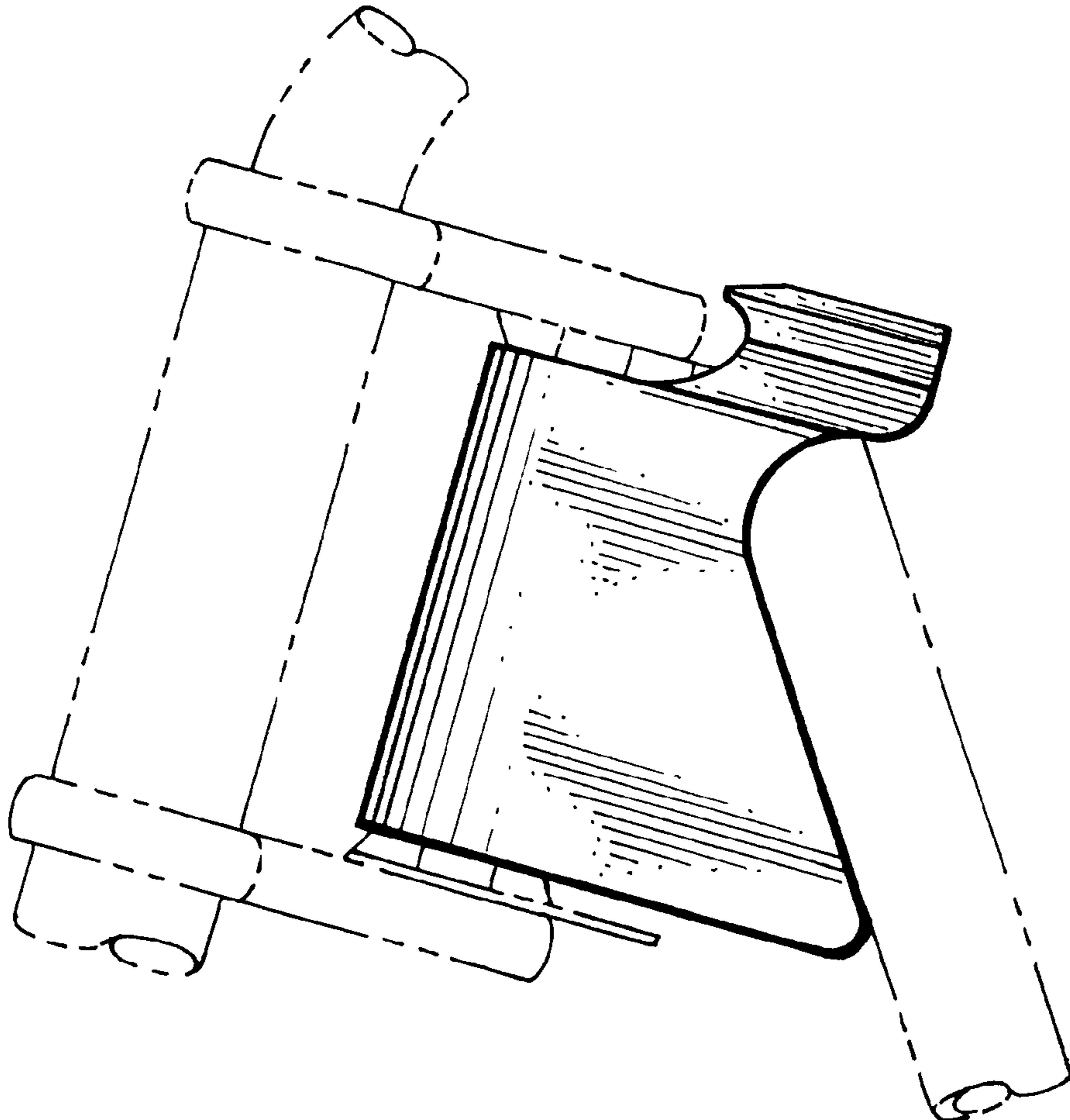
FIG. 6 is a left elevational view thereof;

FIG. 7 is a top plan view thereof;

FIG. 8 is a bottom plan view thereof; and,

FIG. 9 is perspective view of a second embodiment of FIG. 1, it being understood that the undisclosed perspective view opposite of that shown herein is a mirror image. It is also understood that the undisclosed top, bottom and side views are basically the same as in the first embodiment.

1 Claim, 2 Drawing Sheets



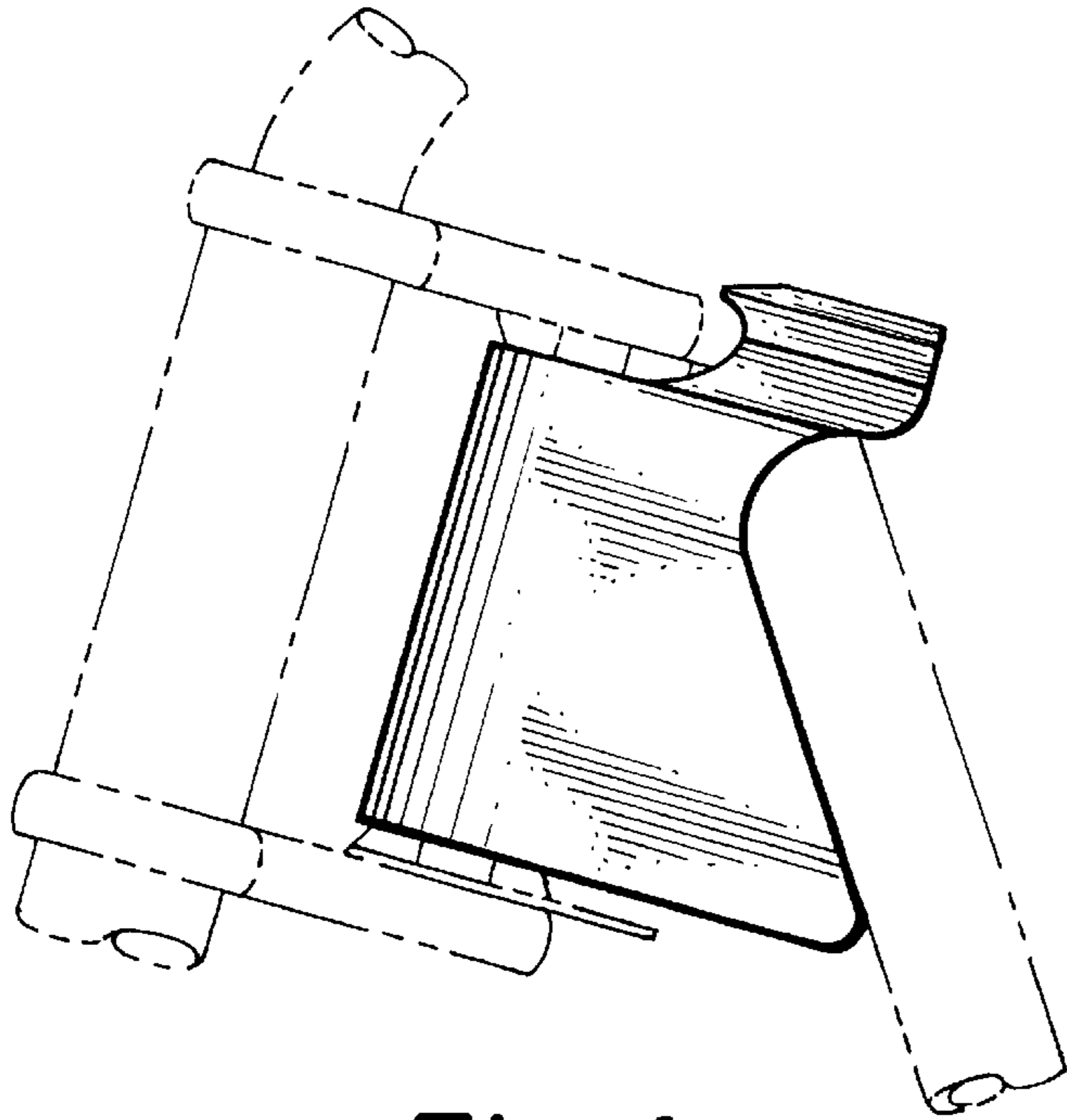


Fig. 1.

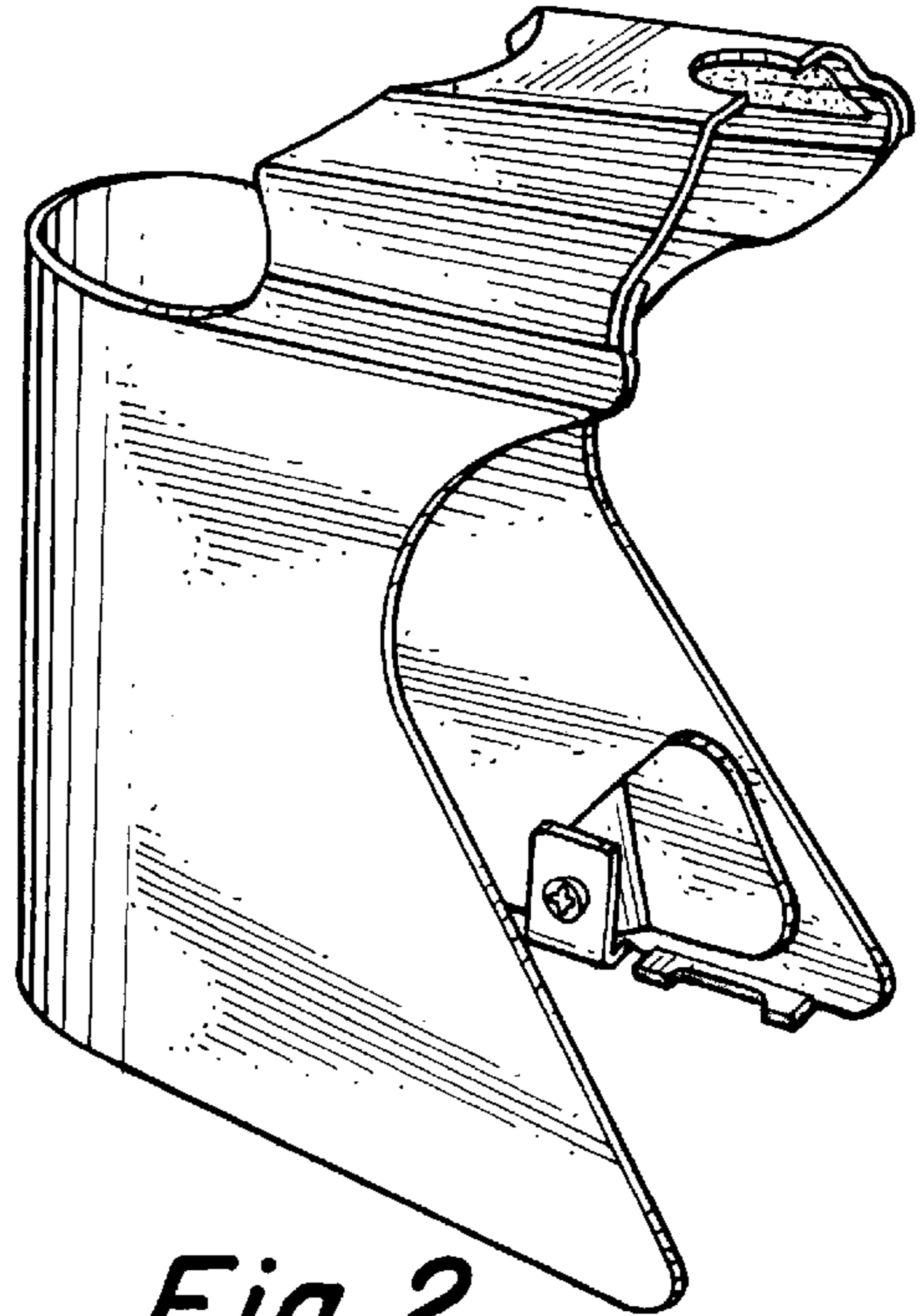


Fig. 2.

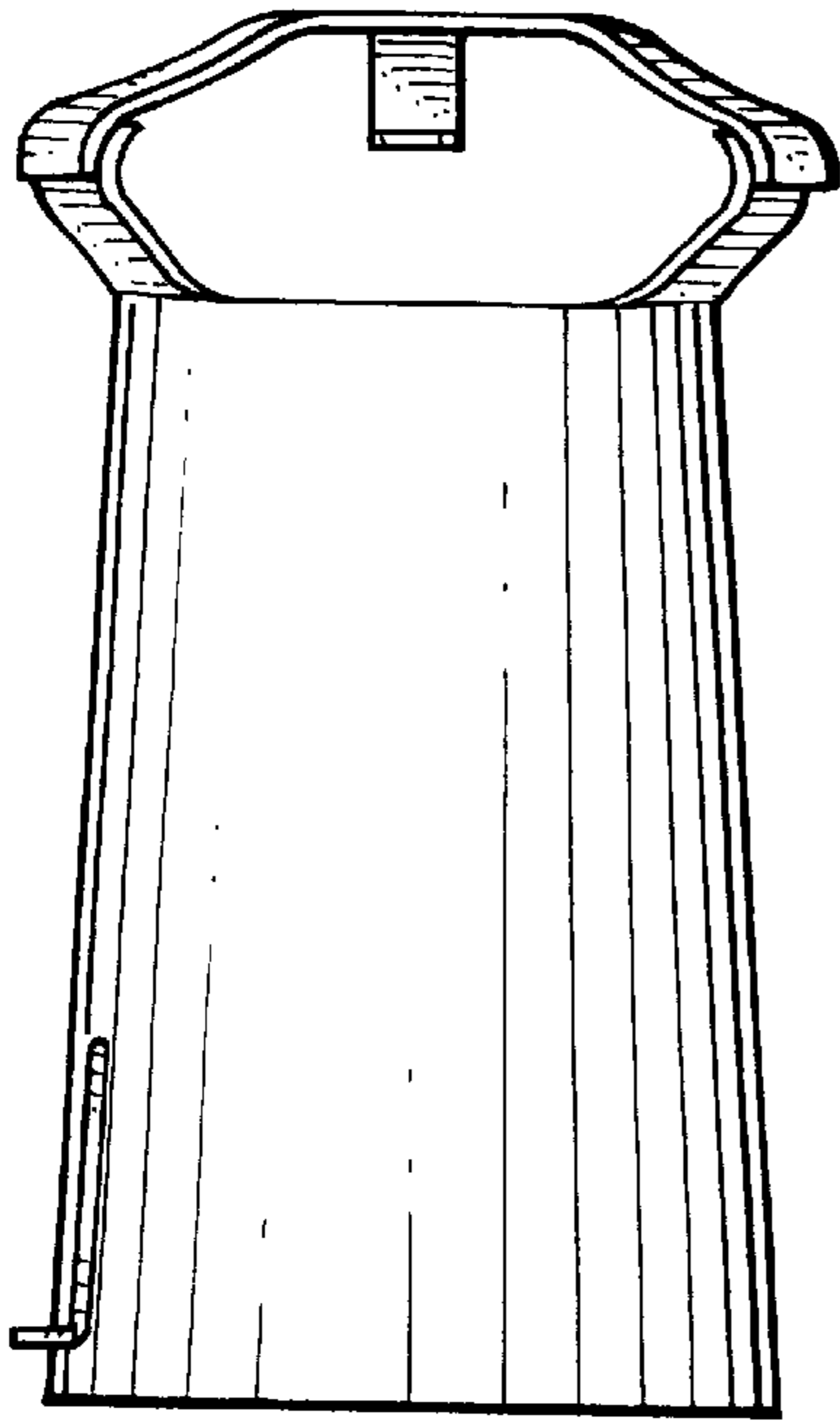


Fig. 3.

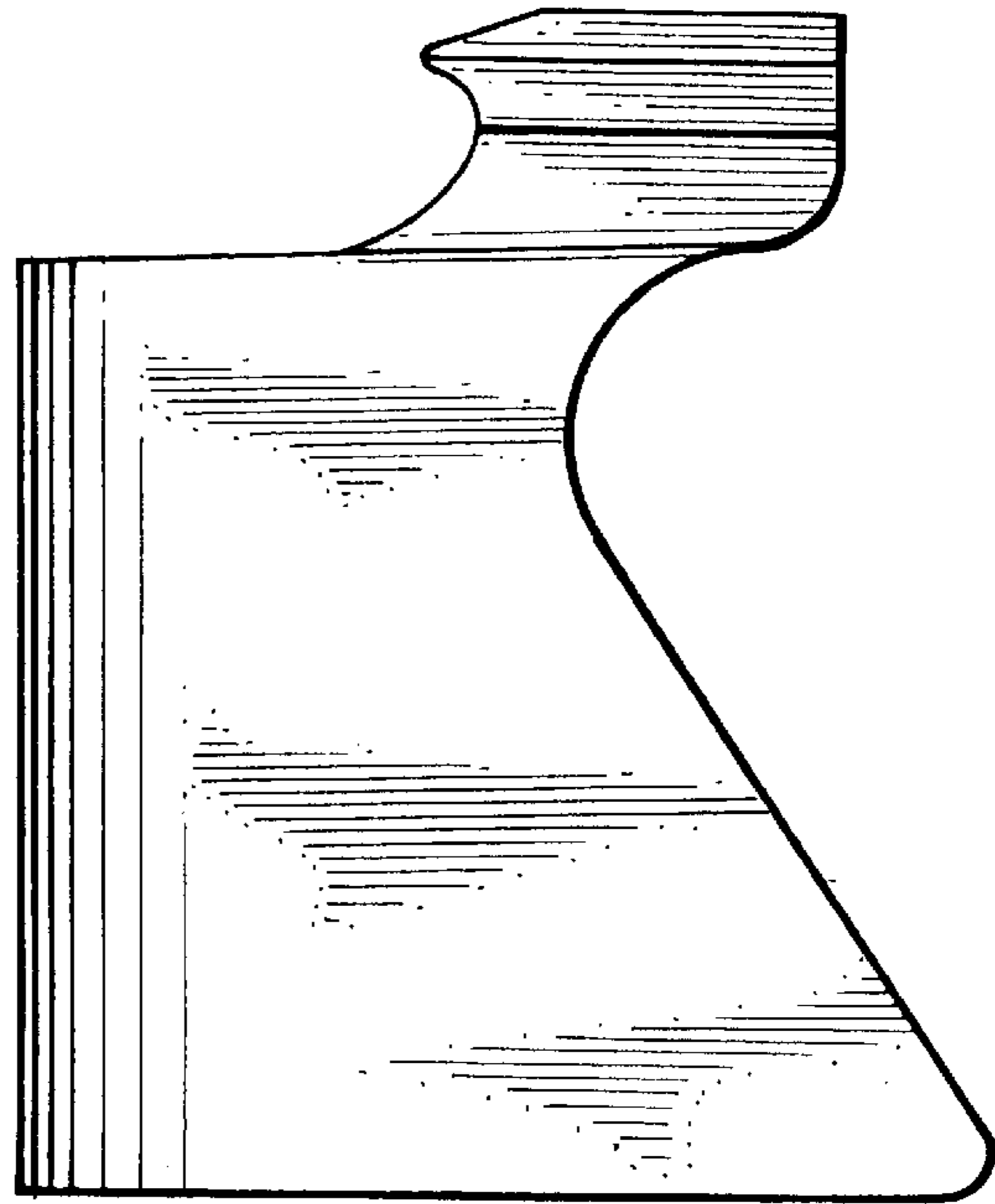


Fig. 4.

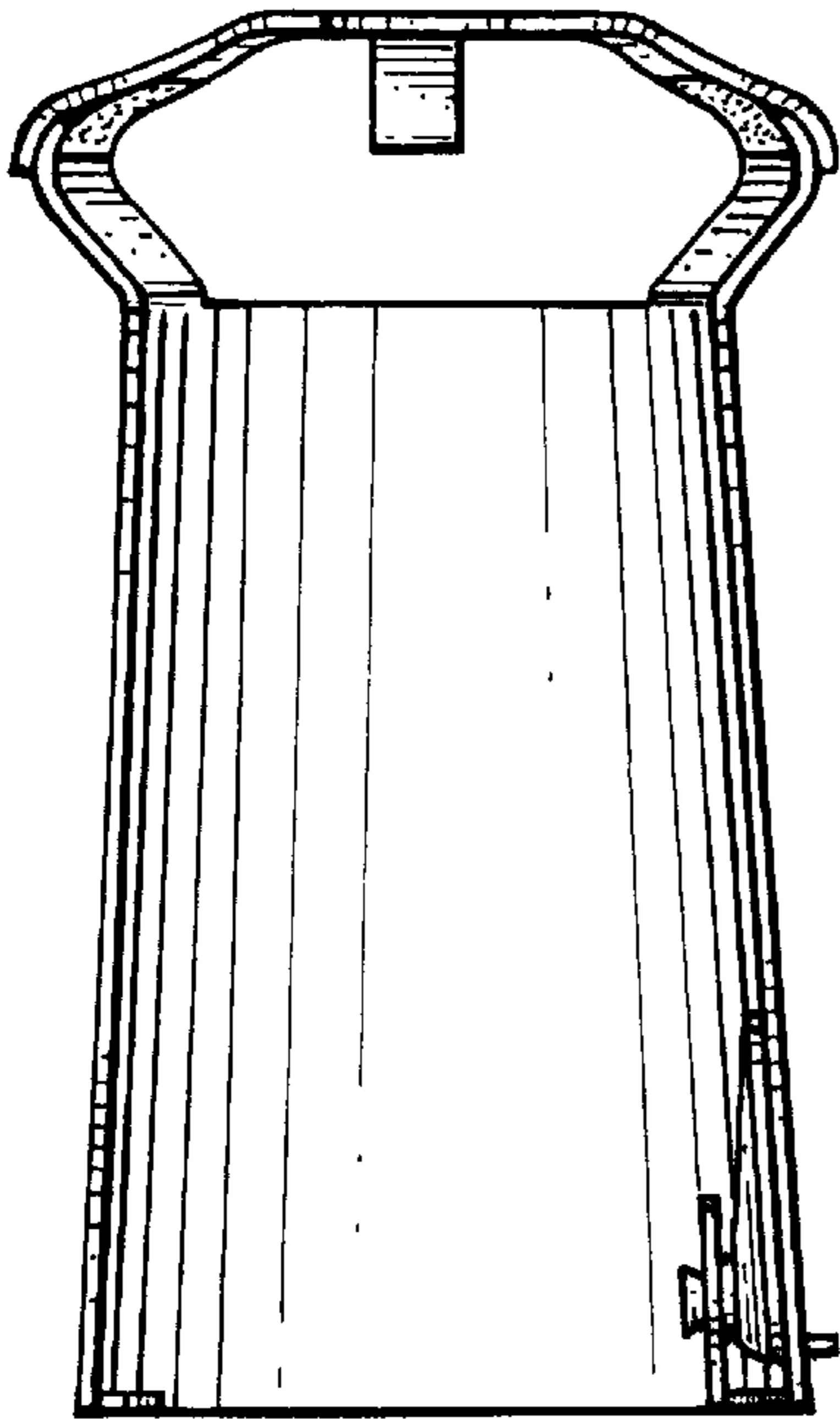


Fig. 5.

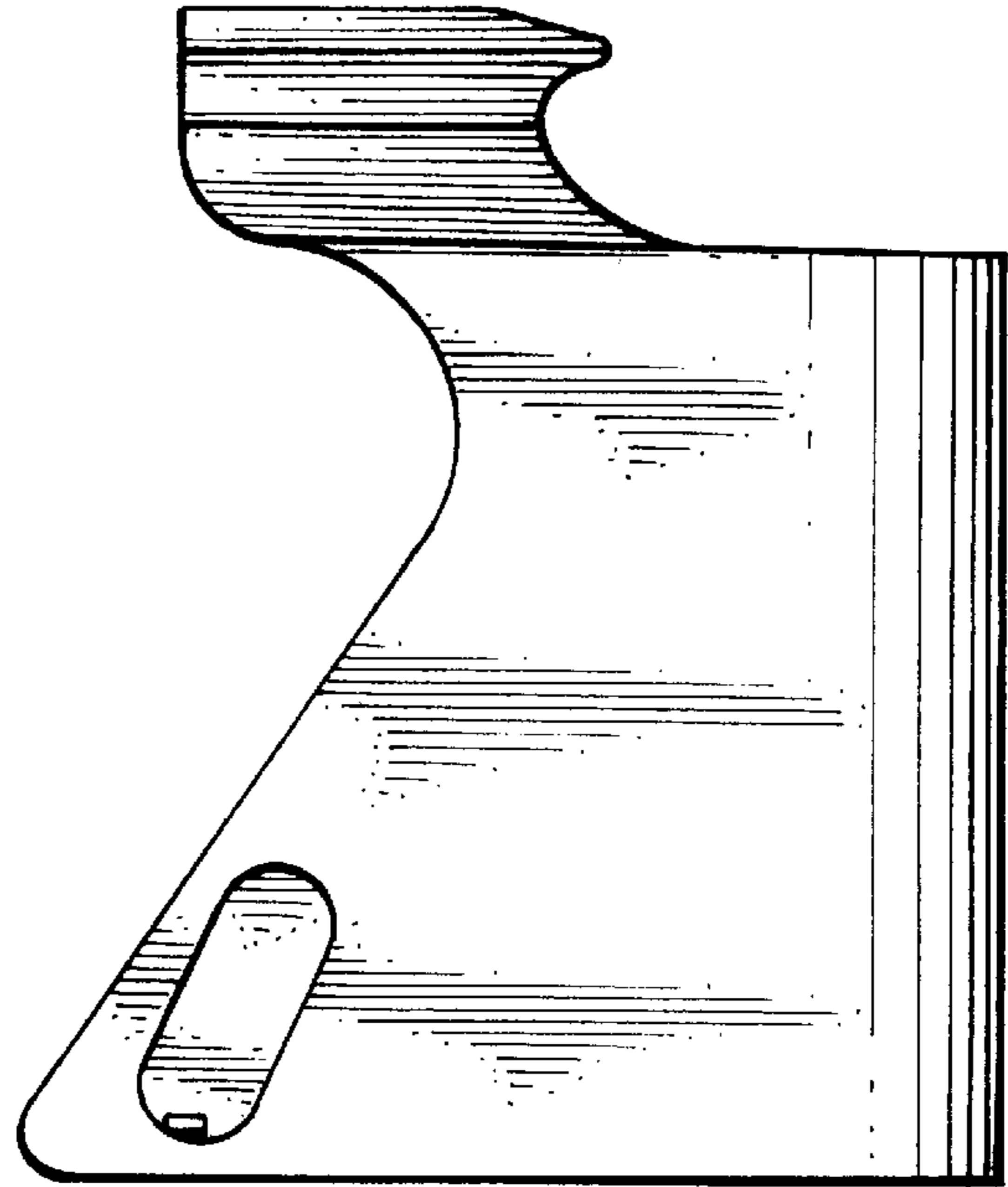


Fig. 6.

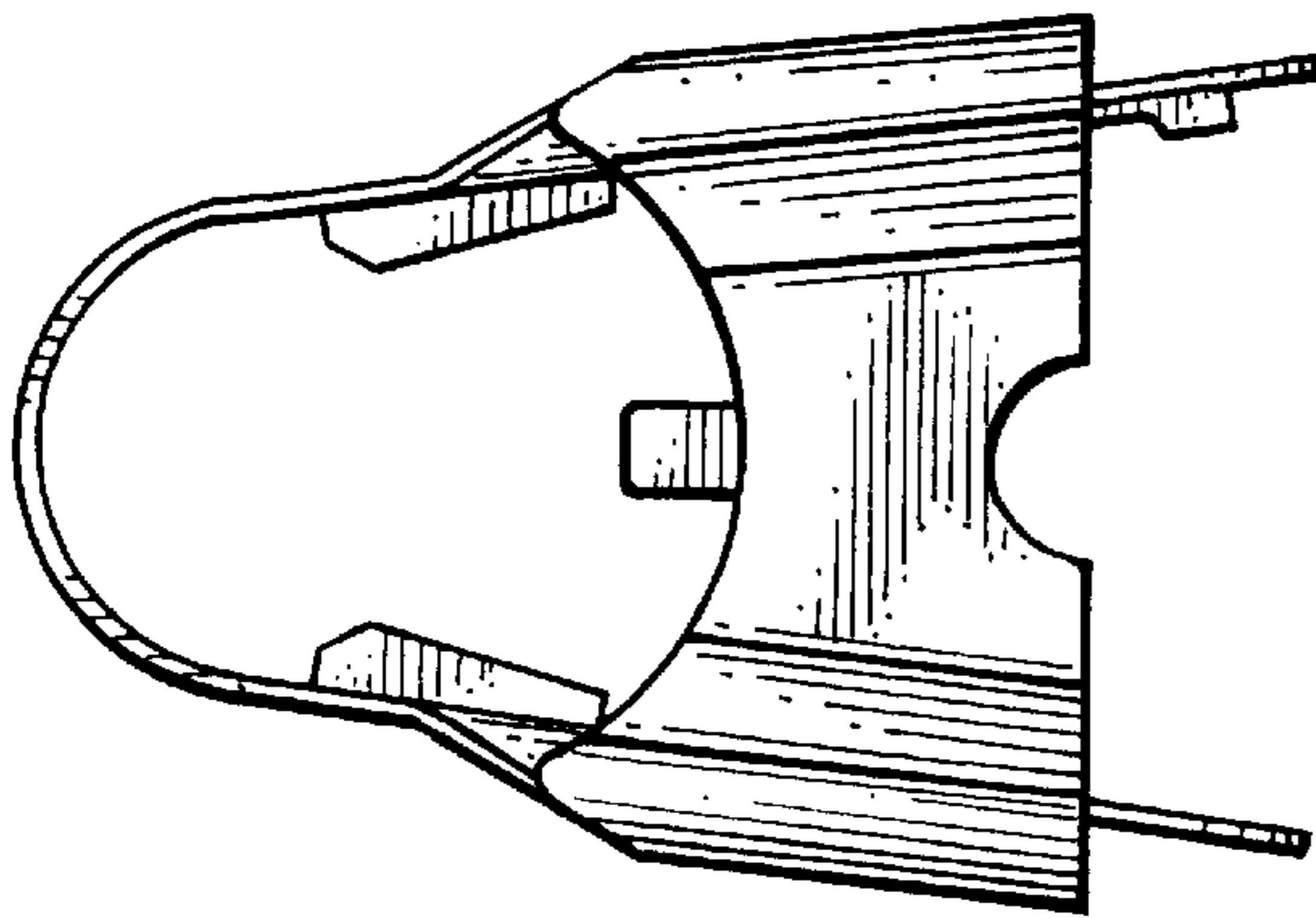


Fig. 7.

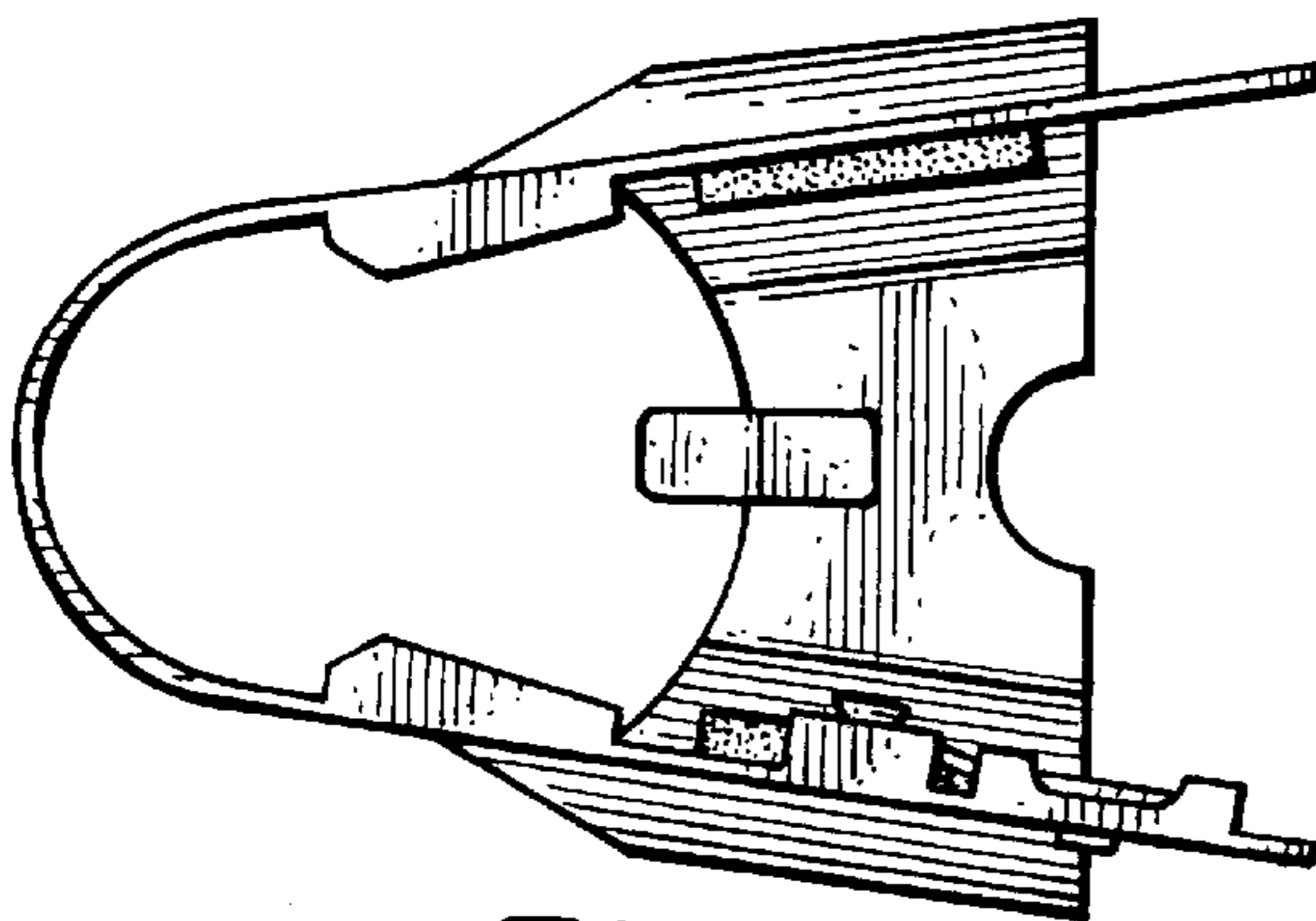


Fig. 8.

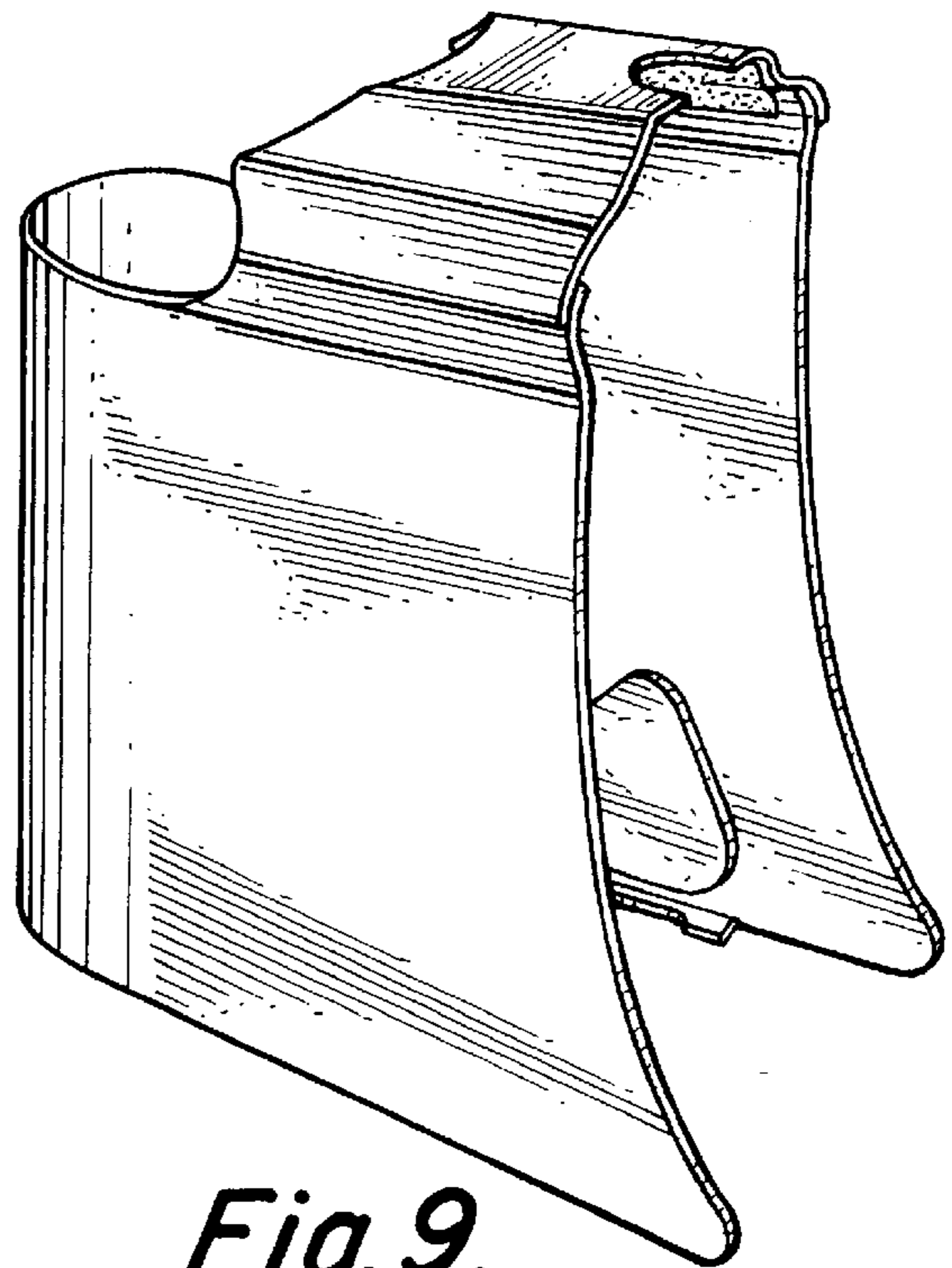


Fig. 9.