



US00D423413S

United States Patent [19]

Wu et al.

[11] Patent Number: **Des. 423,413**

[45] Date of Patent: **** Apr. 25, 2000**

[54] **FOUR-WHEEL VEHICLE**

[75] Inventors: **Shih-Chang Wu**, Tainan Hsien; **Julian Luo**, Tainan, both of Taiwan

[73] Assignee: **E-Ton Dynamics Technology Industry Co., Ltd.**, Taiwan

[**] Term: **14 Years**

[21] Appl. No.: **29/107,538**

[22] Filed: **Jul. 6, 1999**

[51] **LOC (6) Cl.** **12-11**

[52] **U.S. Cl.** **D12/107**

[58] **Field of Search** D12/107, 3; 180/233, 180/315, 311, 312, 225, 229

[56] **References Cited**

U.S. PATENT DOCUMENTS

- D. 298,744 11/1988 Saito D12/107
- D. 327,547 6/1992 Saito D12/107

- D. 330,694 11/1992 Kimura et al. D12/107
- D. 349,078 7/1994 Kimura et al. D12/107

Primary Examiner—Melody N. Brown
Attorney, Agent, or Firm—Skjerven, Morrill, MacPherson, Franklin & Friel LLP; Alan H. MacPherson

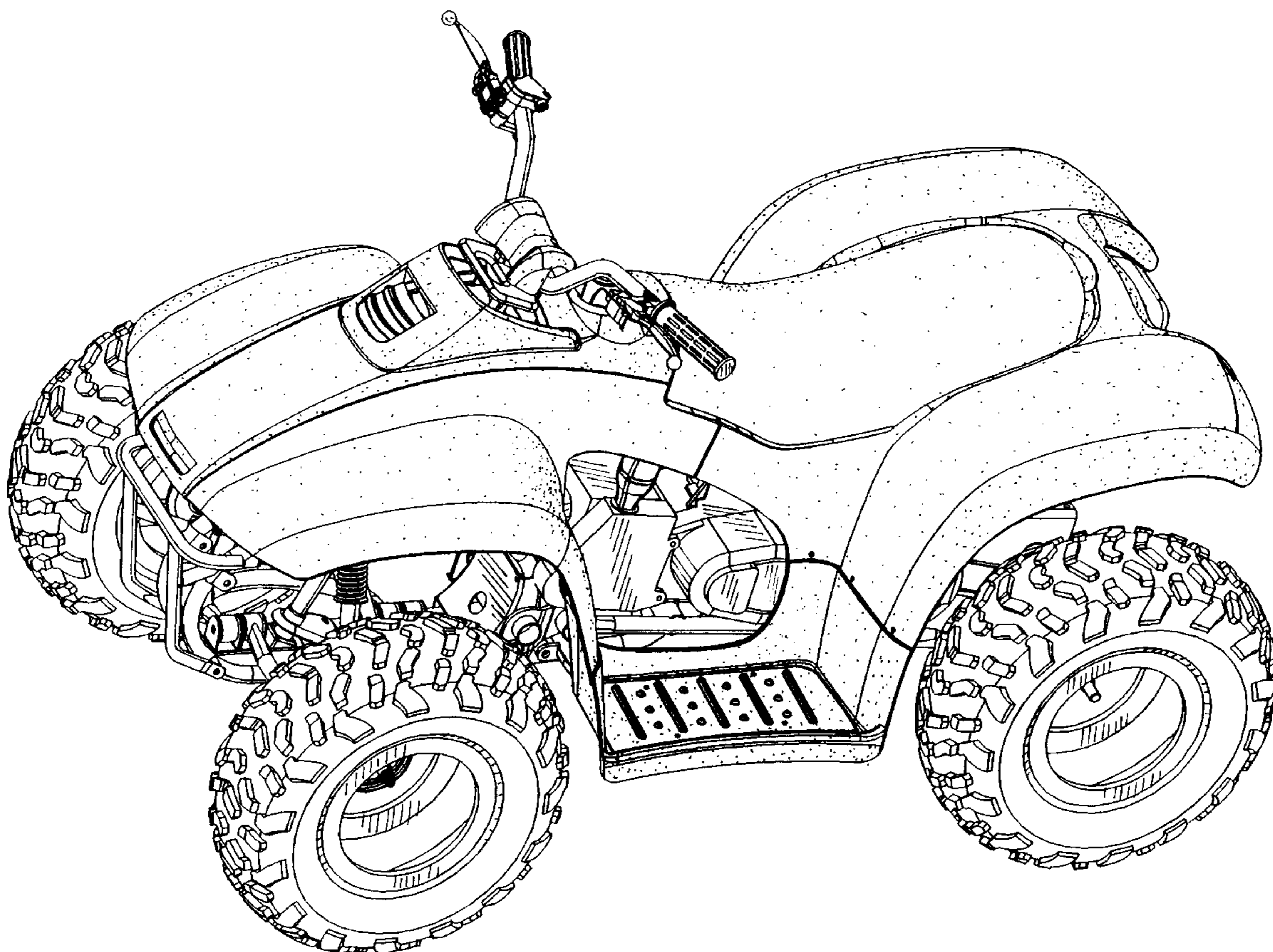
[57] **CLAIM**

The ornamental design for a four-wheel vehicle, as shown and described.

DESCRIPTION

FIG. 1 is a perspective view of a four-wheel vehicle showing my new design;
 FIG. 2 is a front elevational view thereof;
 FIG. 3 is a rear elevational view thereof;
 FIG. 4 is a left side elevational view thereof;
 FIG. 5 is a right side elevational view thereof;
 FIG. 6 is a top plan view thereof; and,
 FIG. 7 is a bottom plan view thereof.

1 Claim, 7 Drawing Sheets



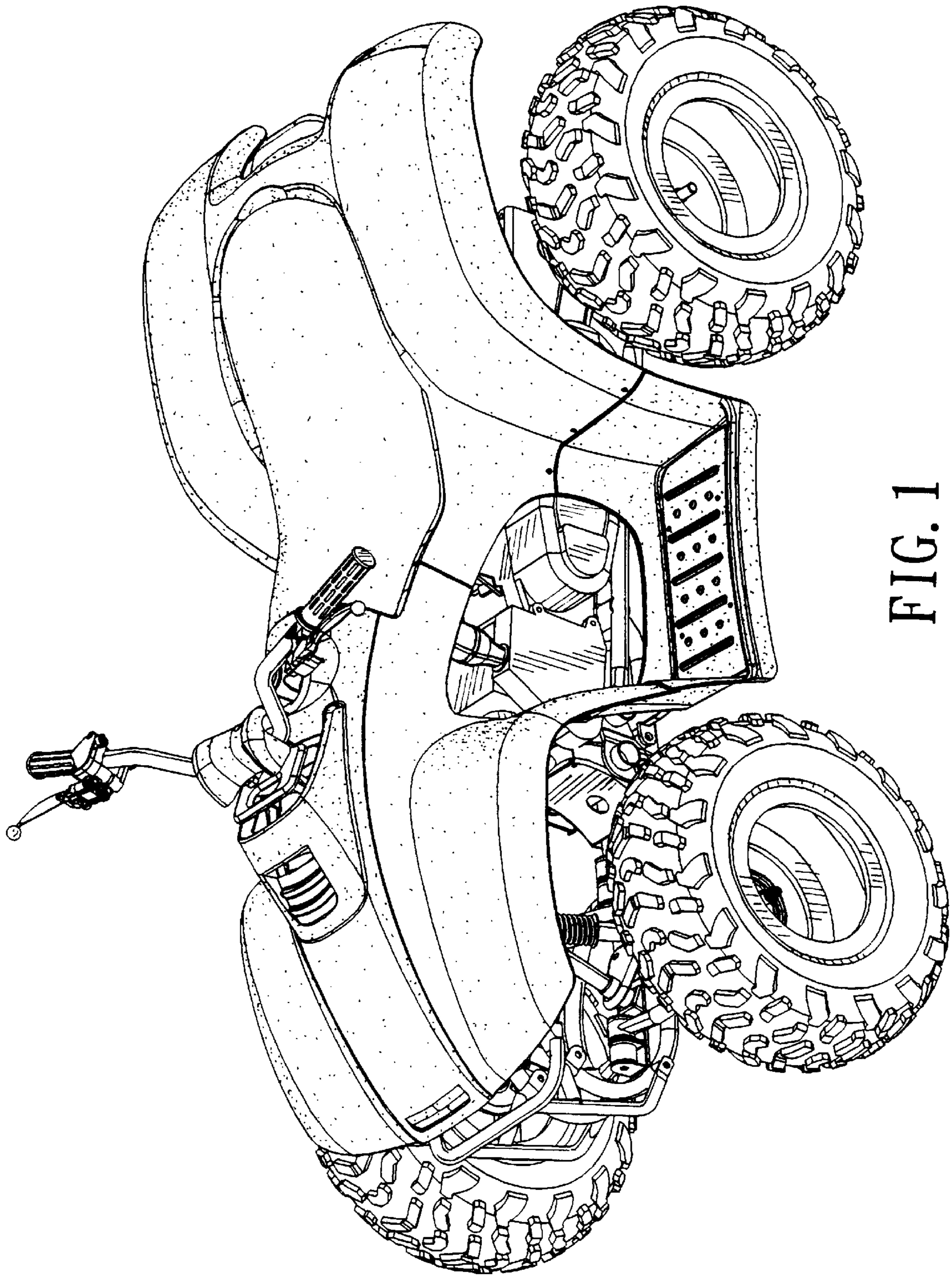


FIG. 1

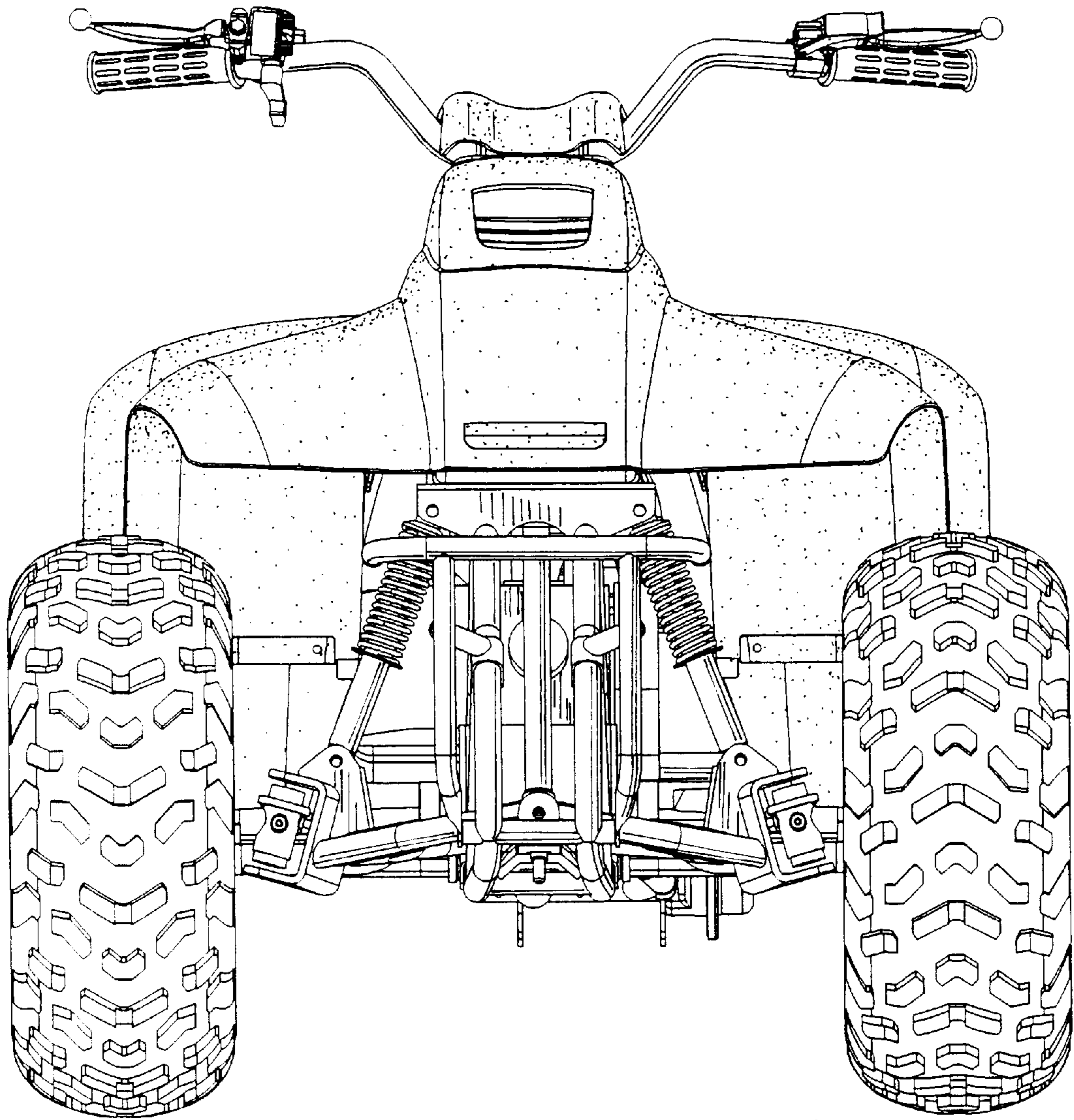


FIG. 2

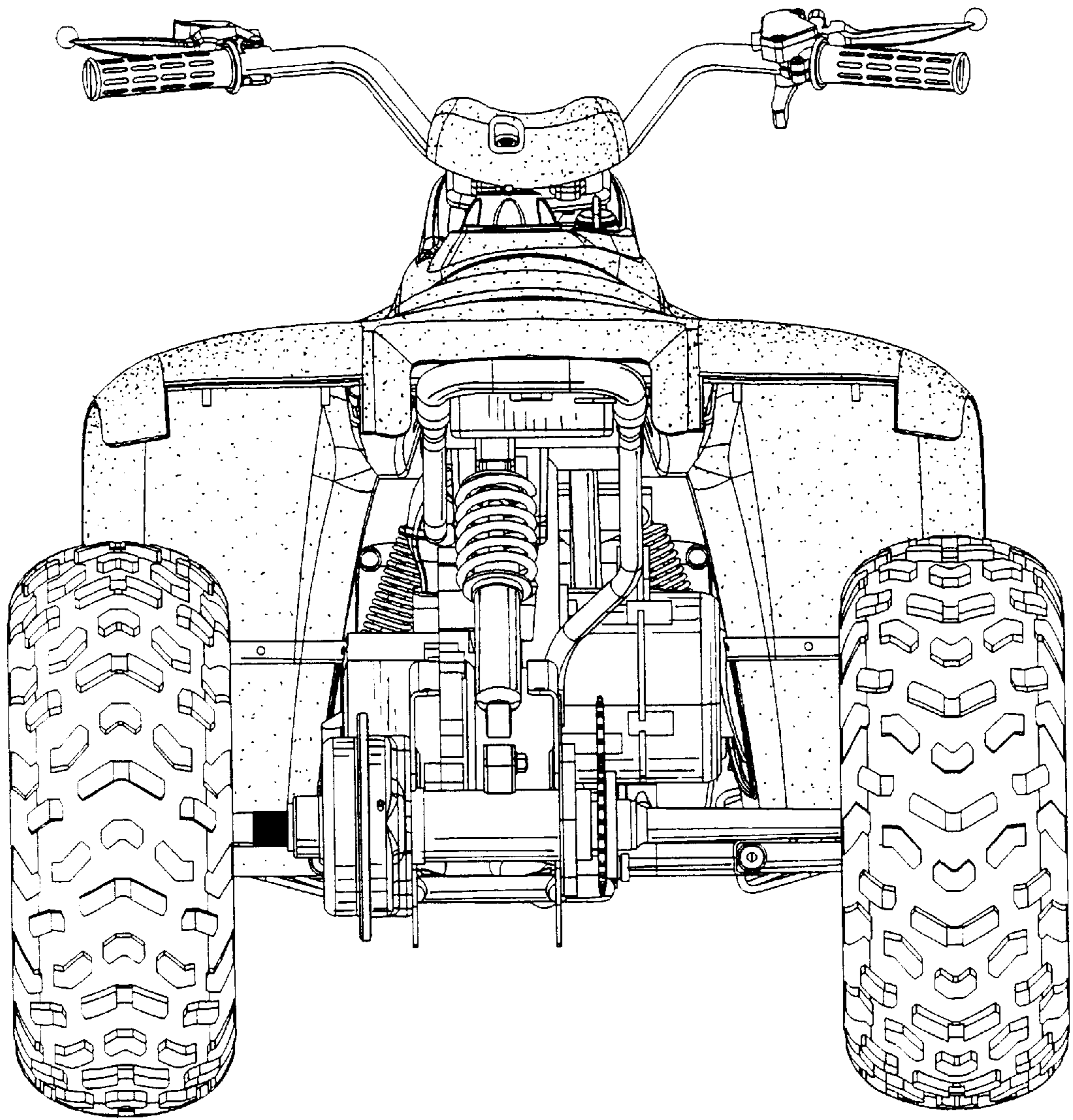


FIG. 3

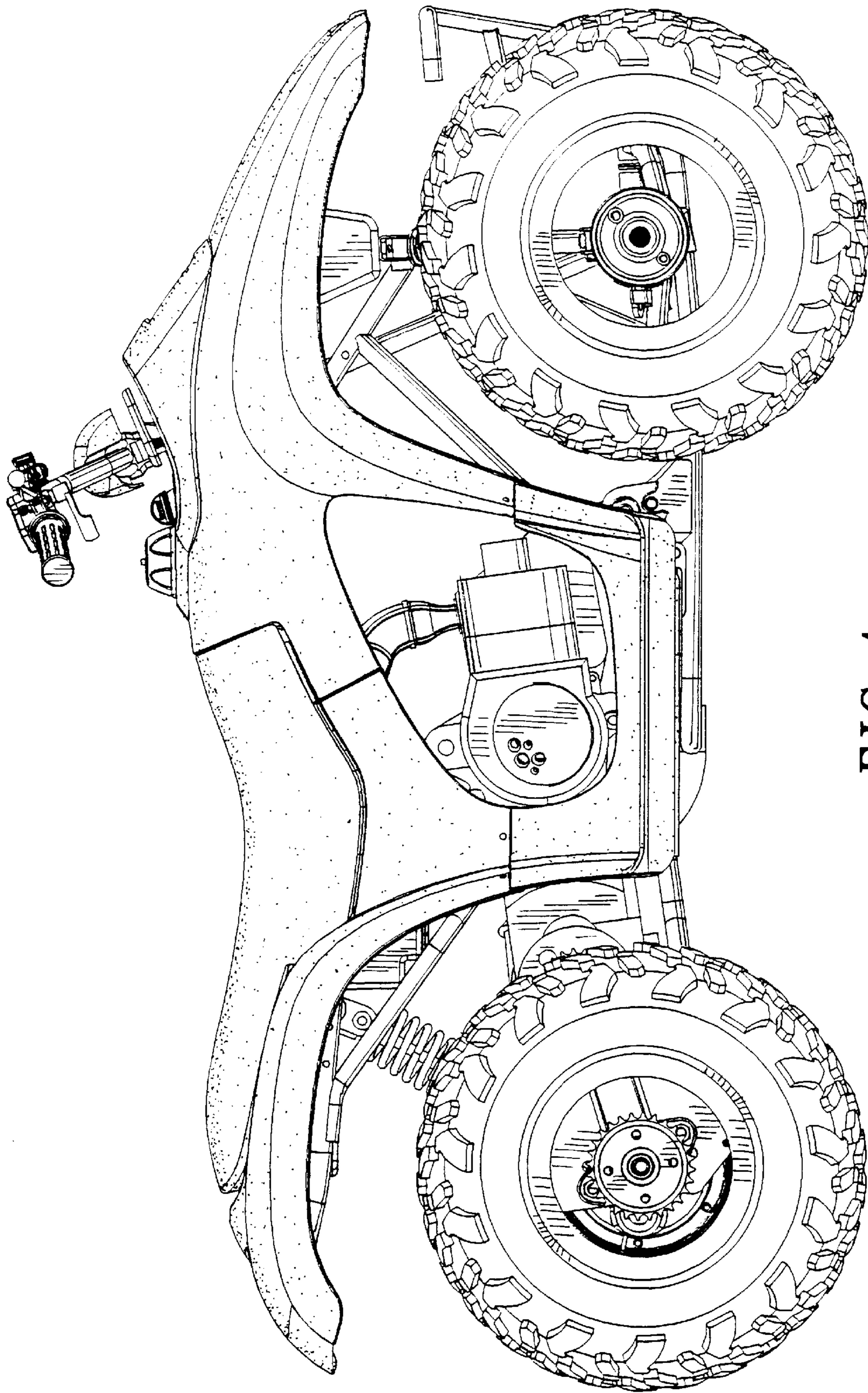


FIG. 4

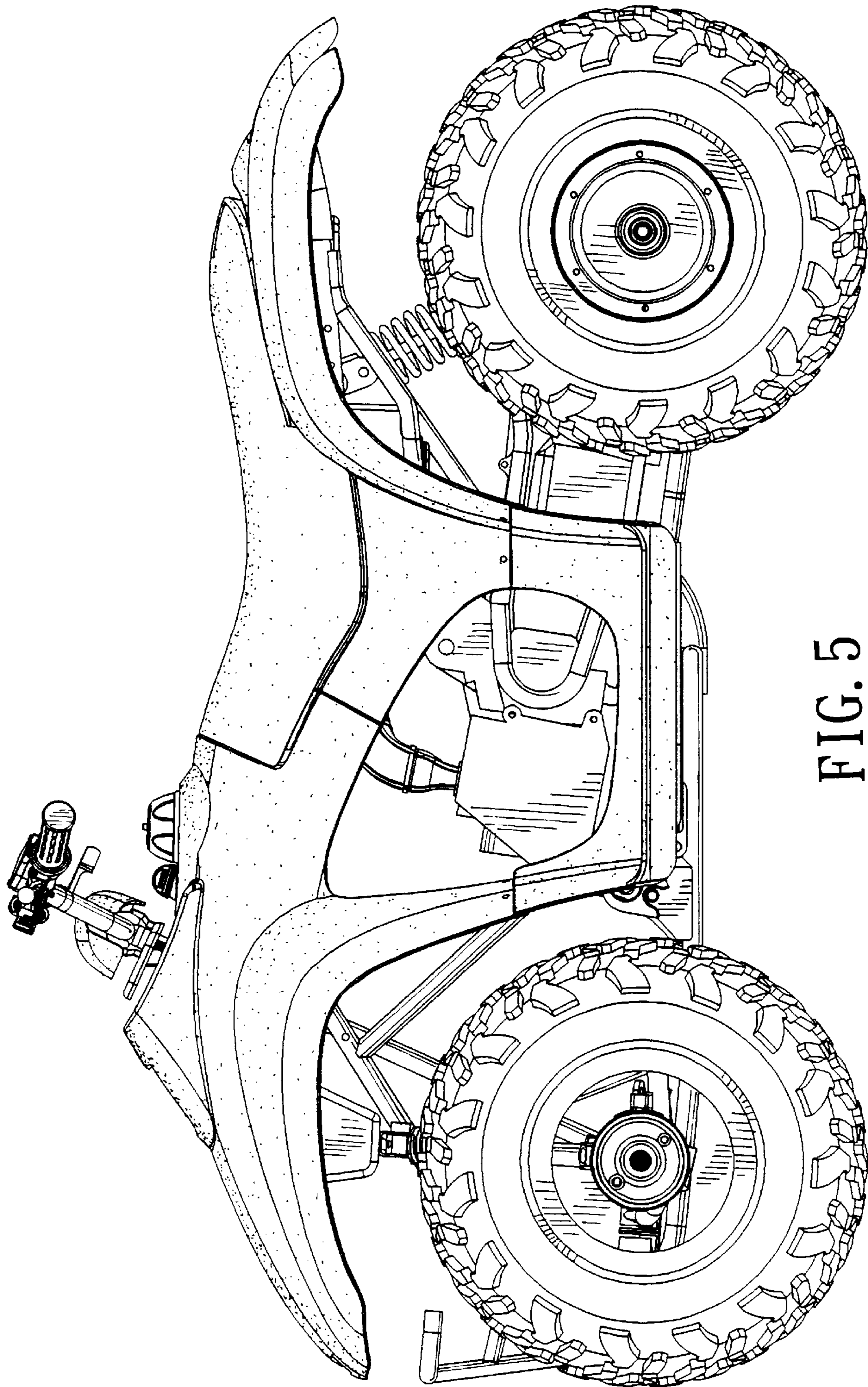


FIG. 5

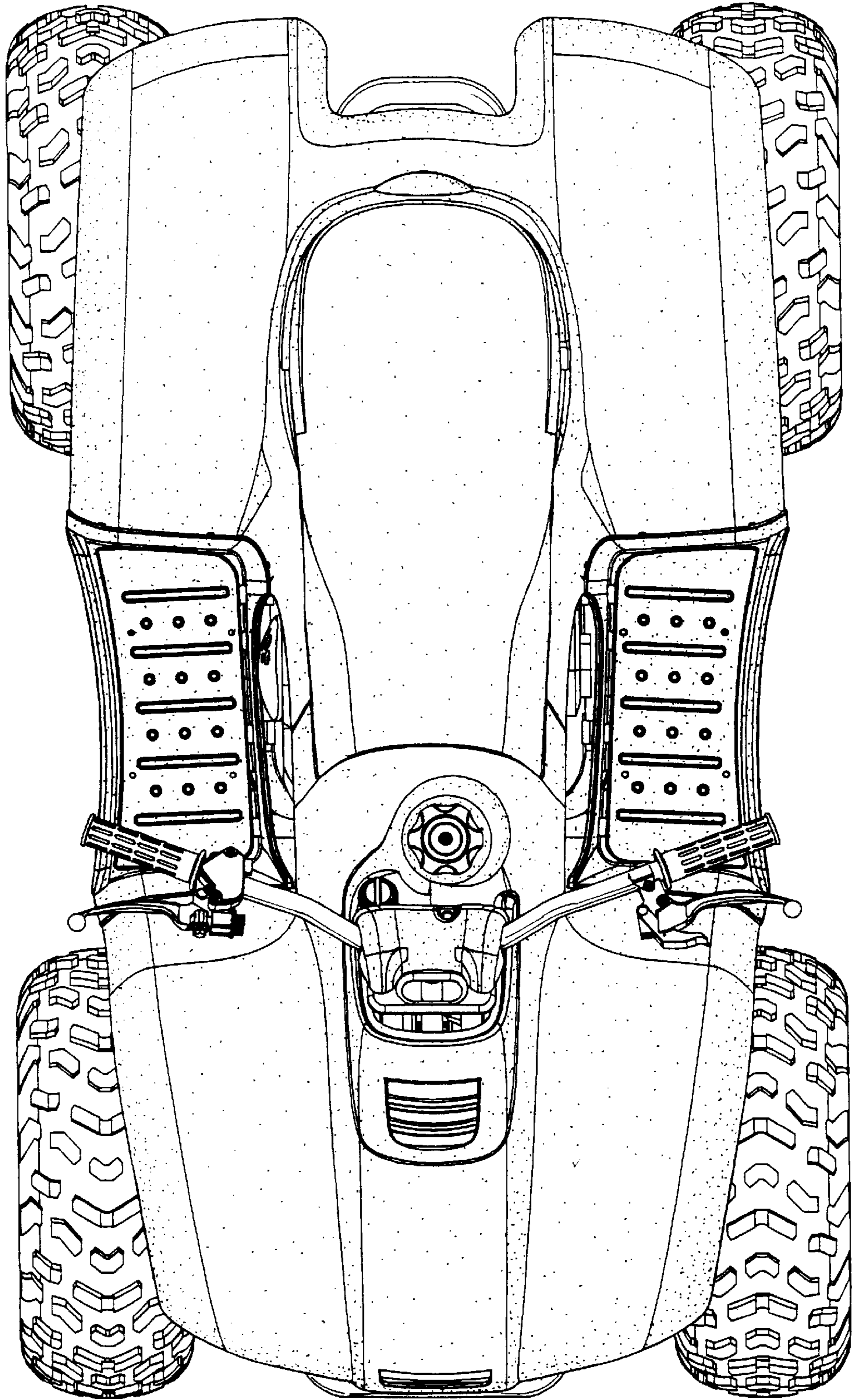


FIG. 6

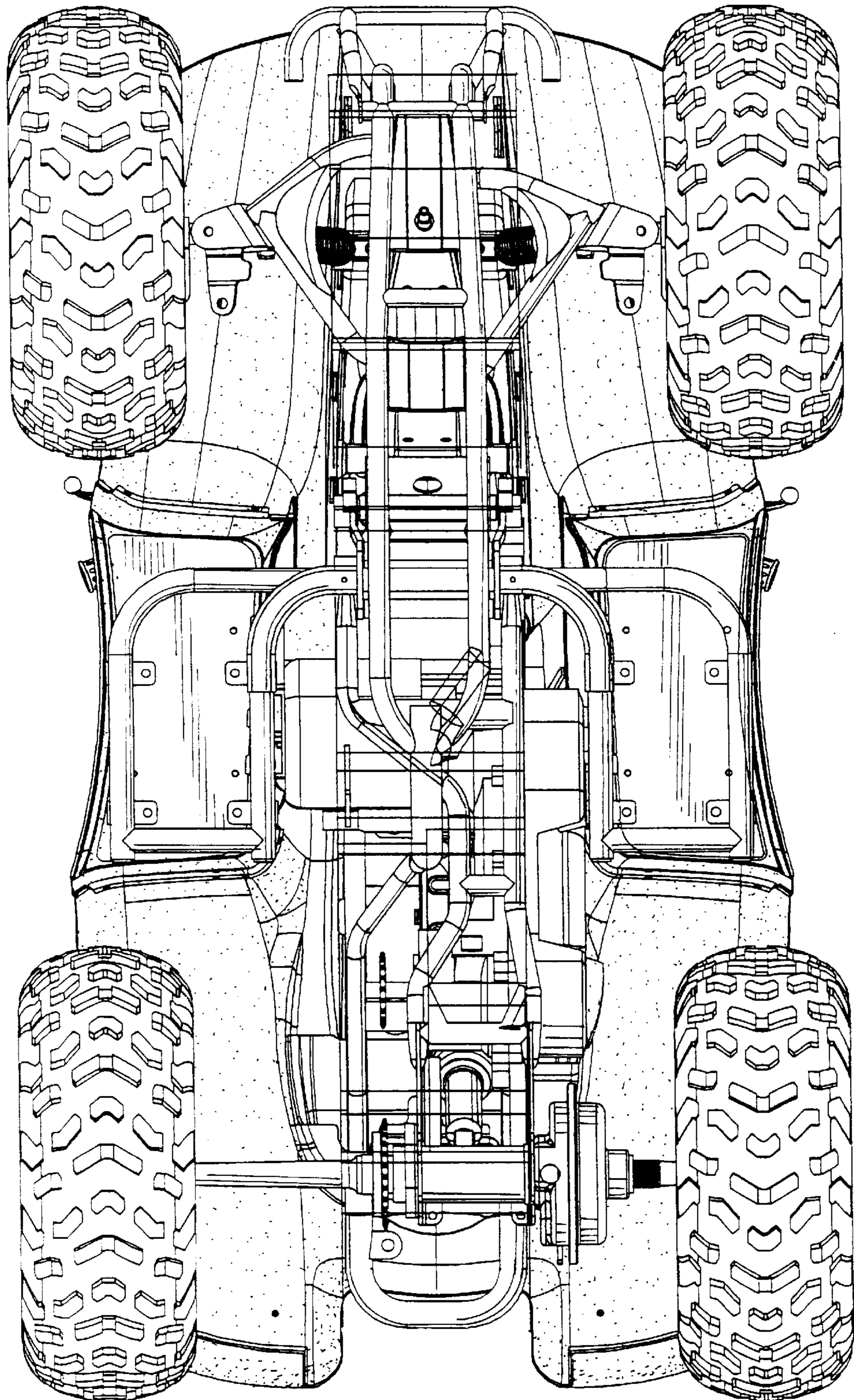


FIG. 7