



US00D423410S

# United States Patent [19]

Ichinose et al.

[11] **Patent Number: Des. 423,410**

[45] **Date of Patent: \*\* Apr. 25, 2000**

[54] **AUTOMOBILE**

[75] Inventors: **Kazuhiro Ichinose; Tamotsu Okamoto**, both of Wako, Japan

[73] Assignee: **Honda Giken Kogyo Kabushiki Kaisha**, Tokyo, Japan

[\*\*] Term: **14 Years**

[21] Appl. No.: **29/104,659**

[22] Filed: **May 10, 1999**

### [30] Foreign Application Priority Data

Nov. 26, 1998 [JP] Japan ..... 10-33989

[51] **LOC (6) Cl.** ..... **12-08**

[52] **U.S. Cl.** ..... **D12/92**

[58] **Field of Search** ..... D12/90-92; 296/185

### [56] References Cited

#### U.S. PATENT DOCUMENTS

D. 336,737 6/1993 Cannara ..... D12/91

D. 346,990 5/1994 Abbott et al. .... D12/91  
D. 370,646 6/1996 Verduyn ..... D12/92  
D. 391,898 3/1998 Yoshikawa et al. .... D12/91  
D. 407,349 3/1999 Murakami et al. .... D12/91

*Primary Examiner*—Melody N. Brown  
*Attorney, Agent, or Firm*—Nikaido, Marmelstein, Murray & Oram LLP

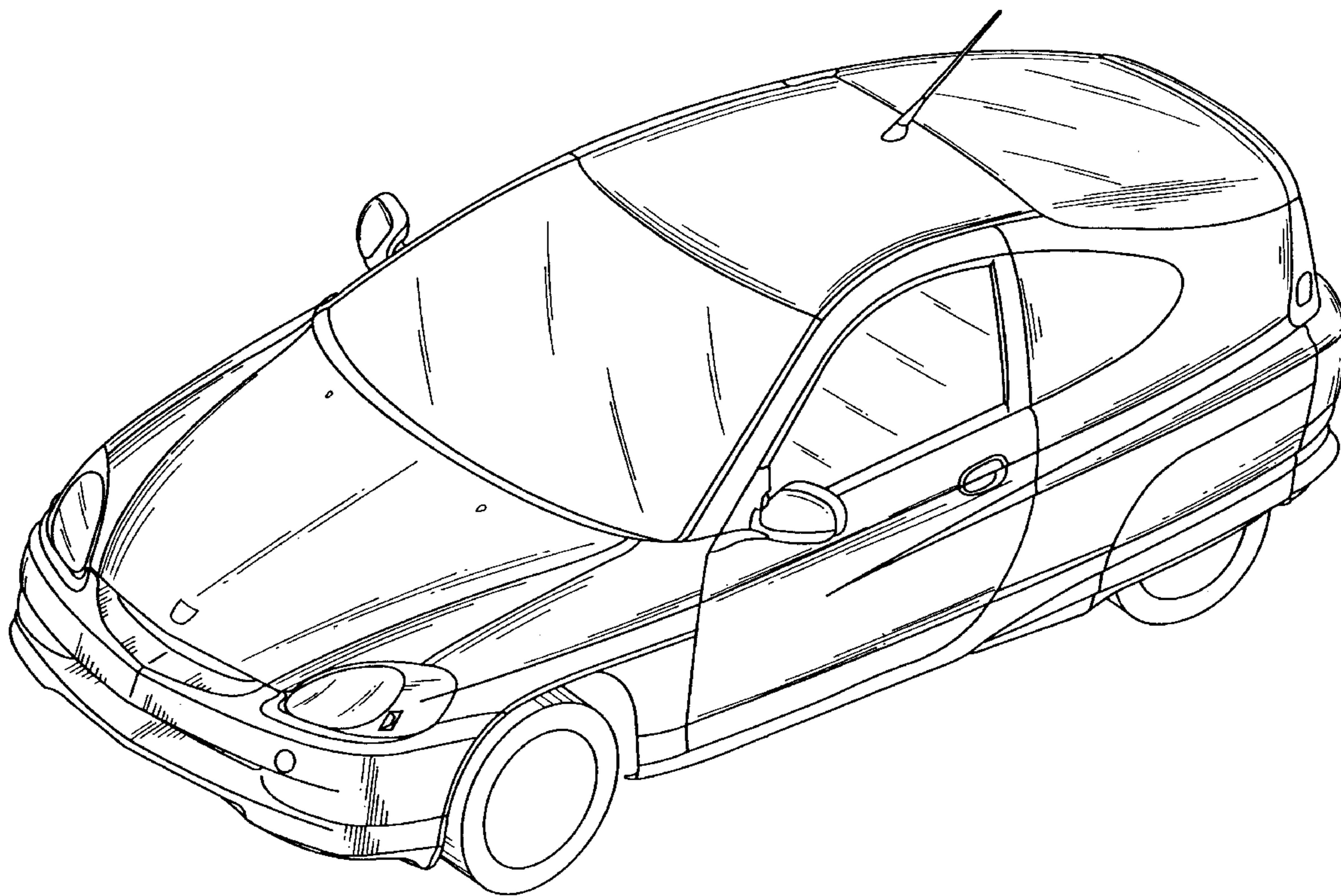
### [57] CLAIM

The ornamental design for an automobile, as shown and described.

### DESCRIPTION

FIG. 1 is a front perspective view of an automobile, showing our new design;  
FIG. 2 is a rear perspective view thereof;  
FIG. 3 is a front view thereof;  
FIG. 4 is a rear of thereof;  
FIG. 5 is a right side view thereof;  
FIG. 6 is a left side view thereof; and,  
FIG. 7 is a top plan view thereof.

**1 Claim, 6 Drawing Sheets**



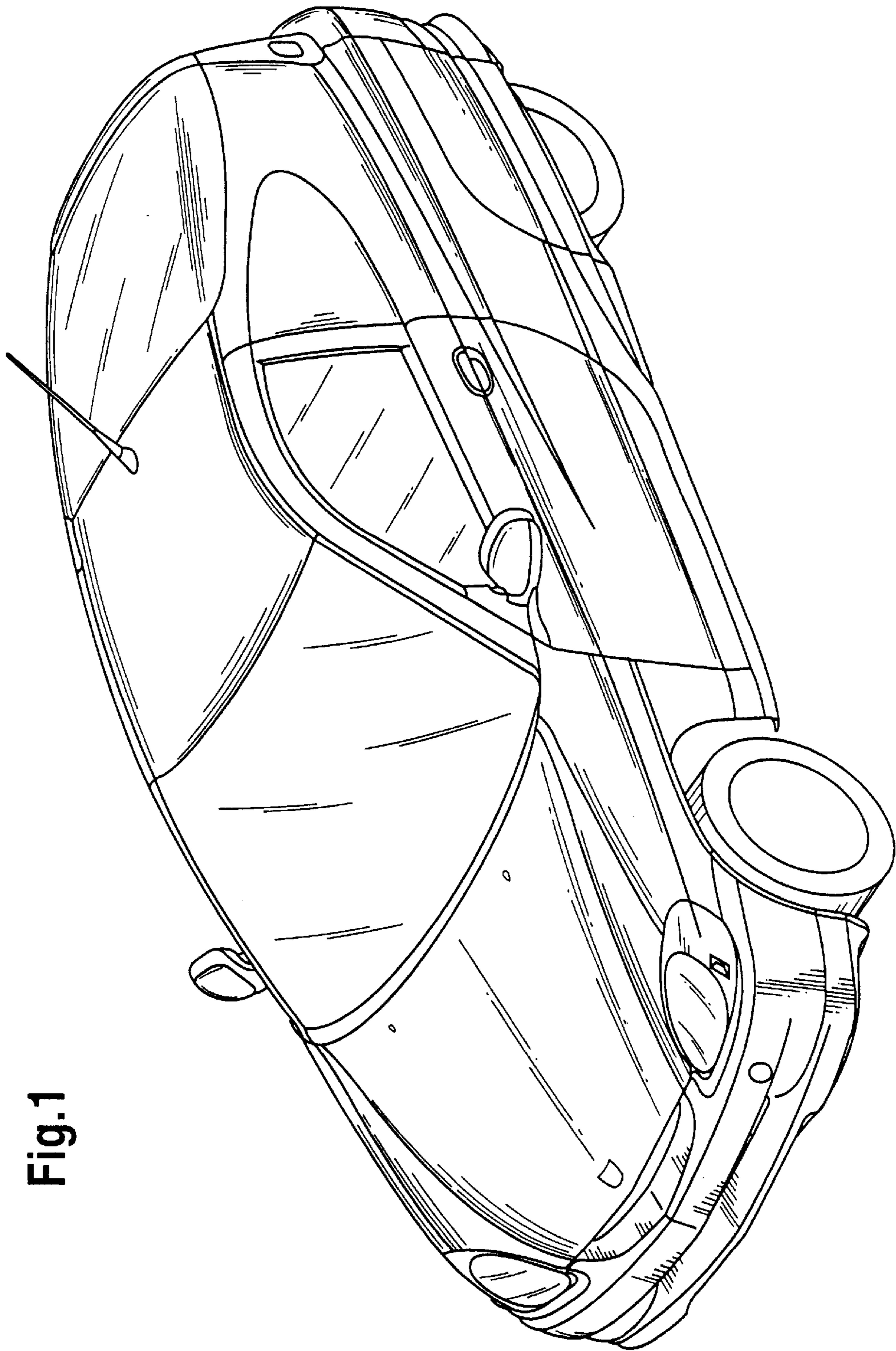


Fig.1

Fig. 2

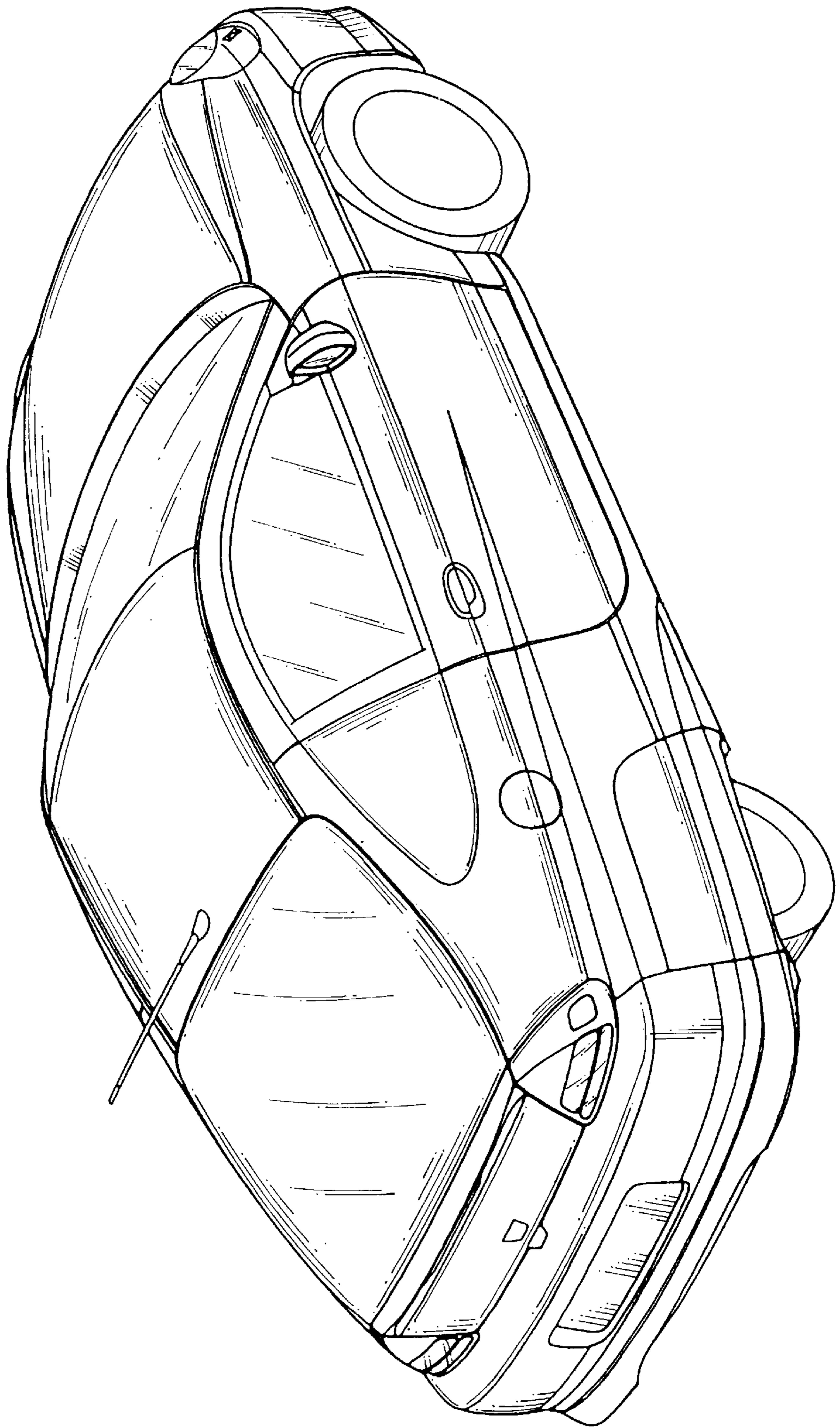


Fig.4

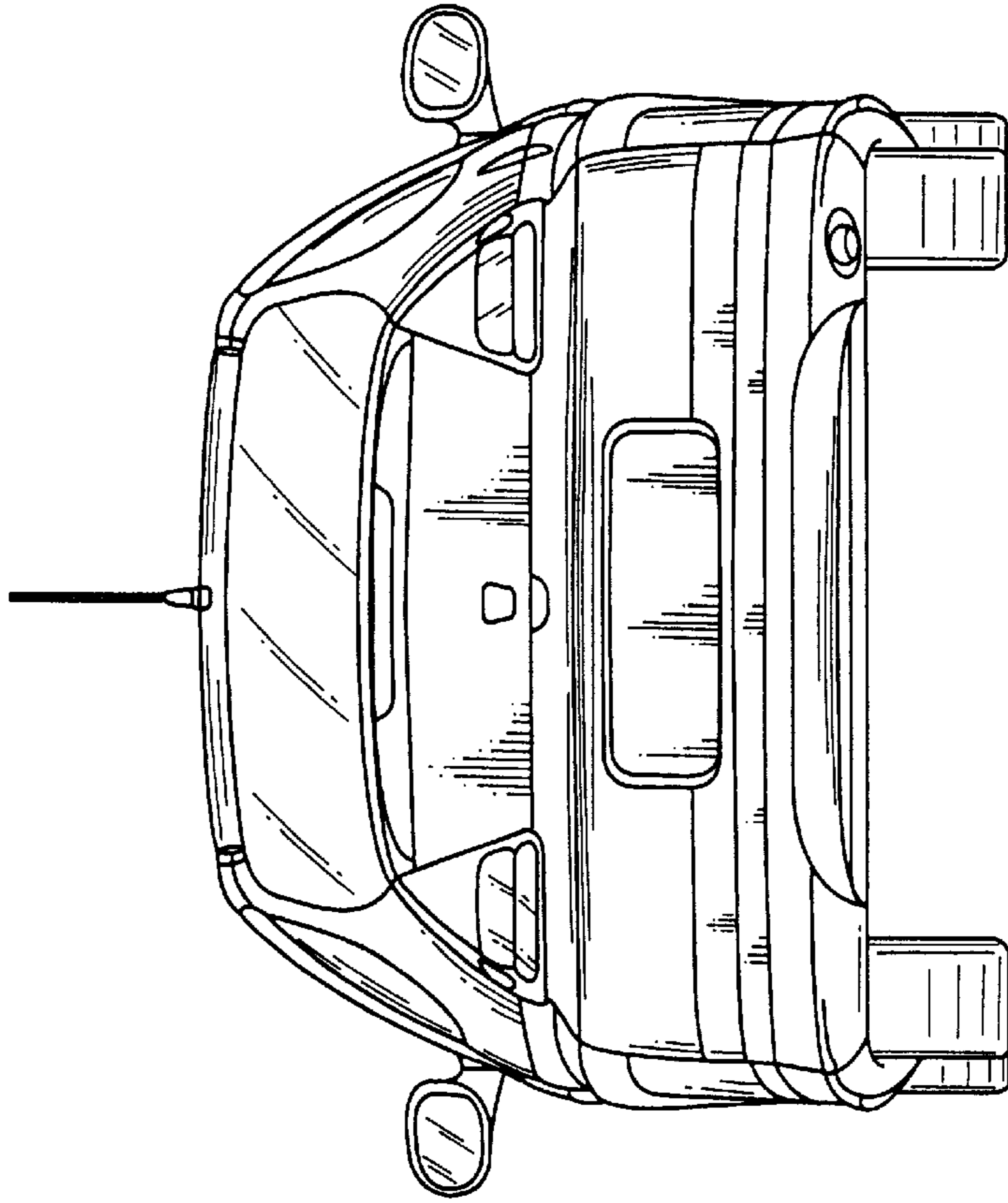


Fig.3

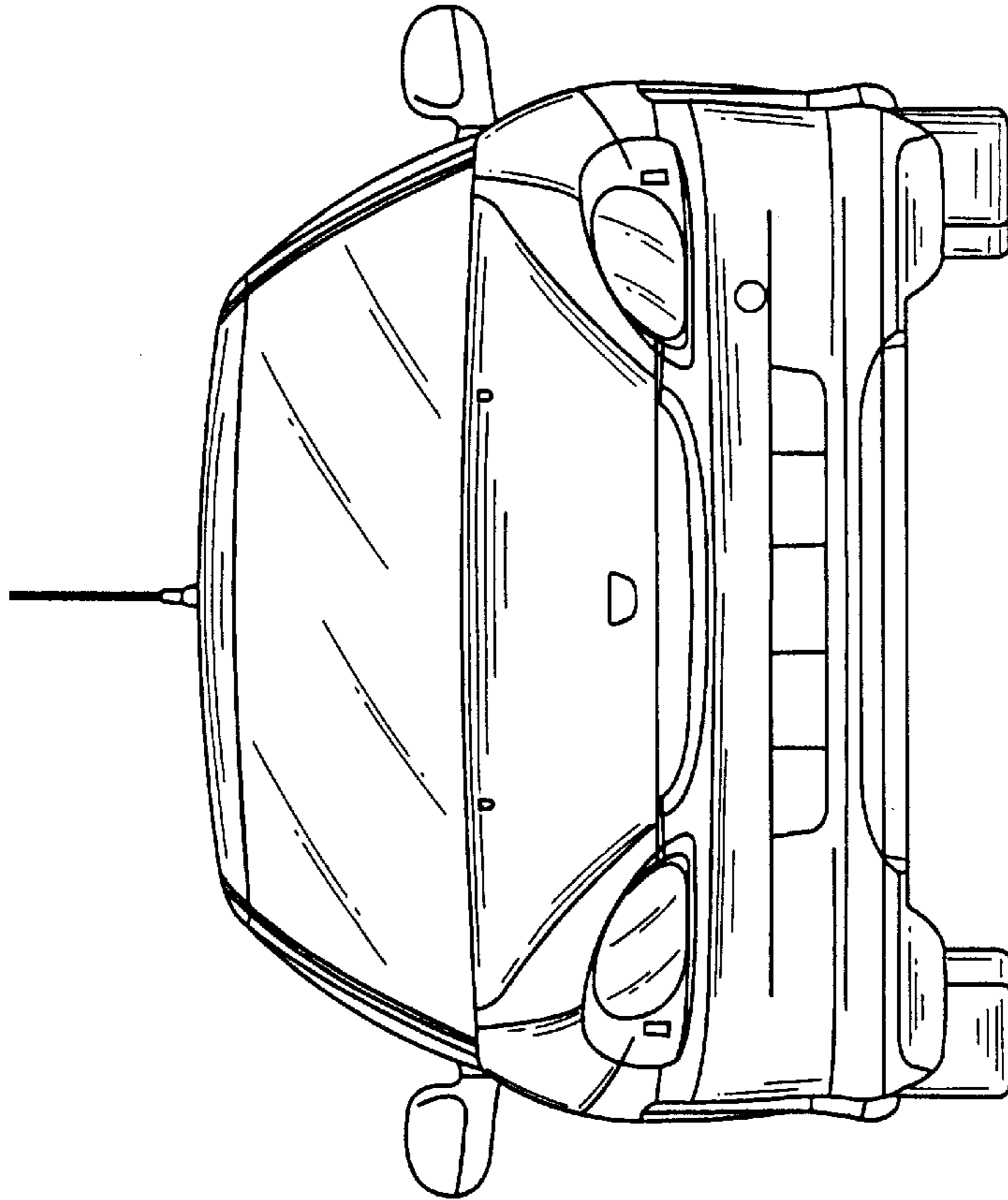


Fig.5

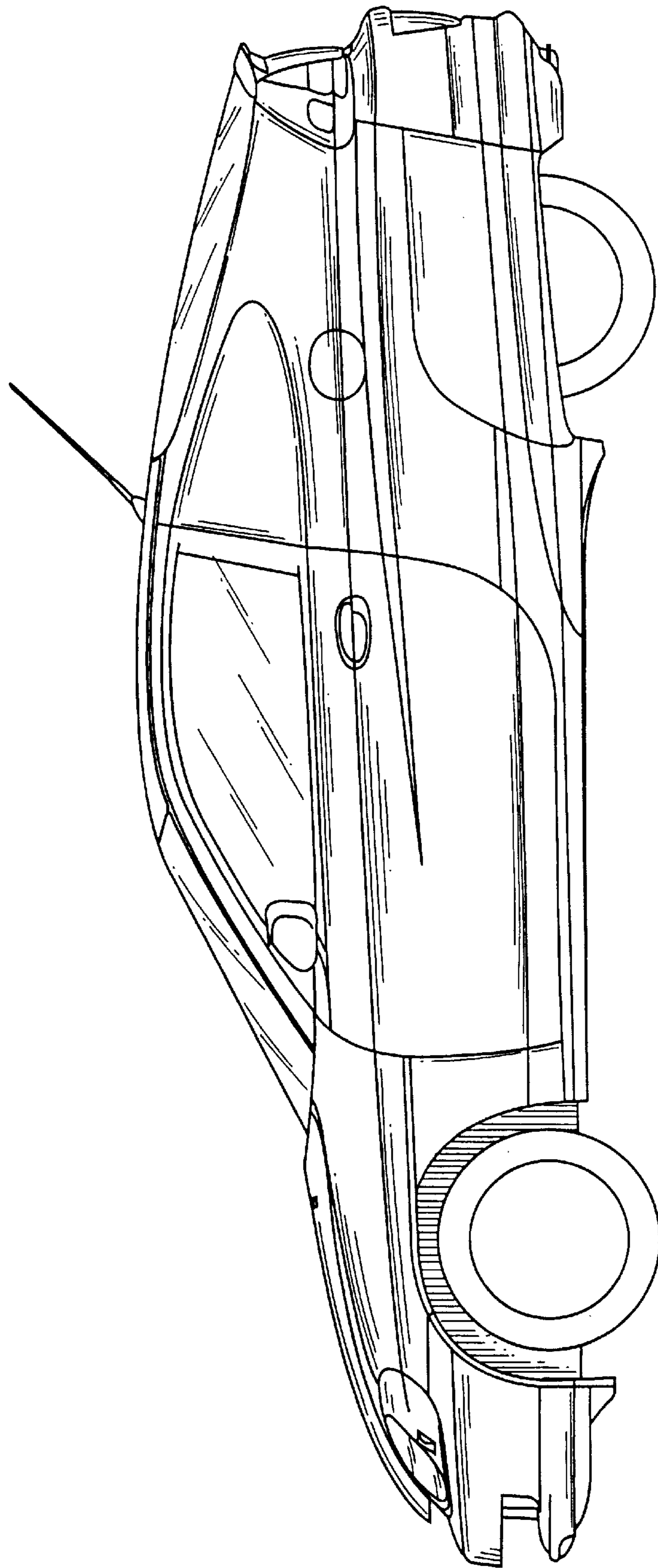


Fig.6

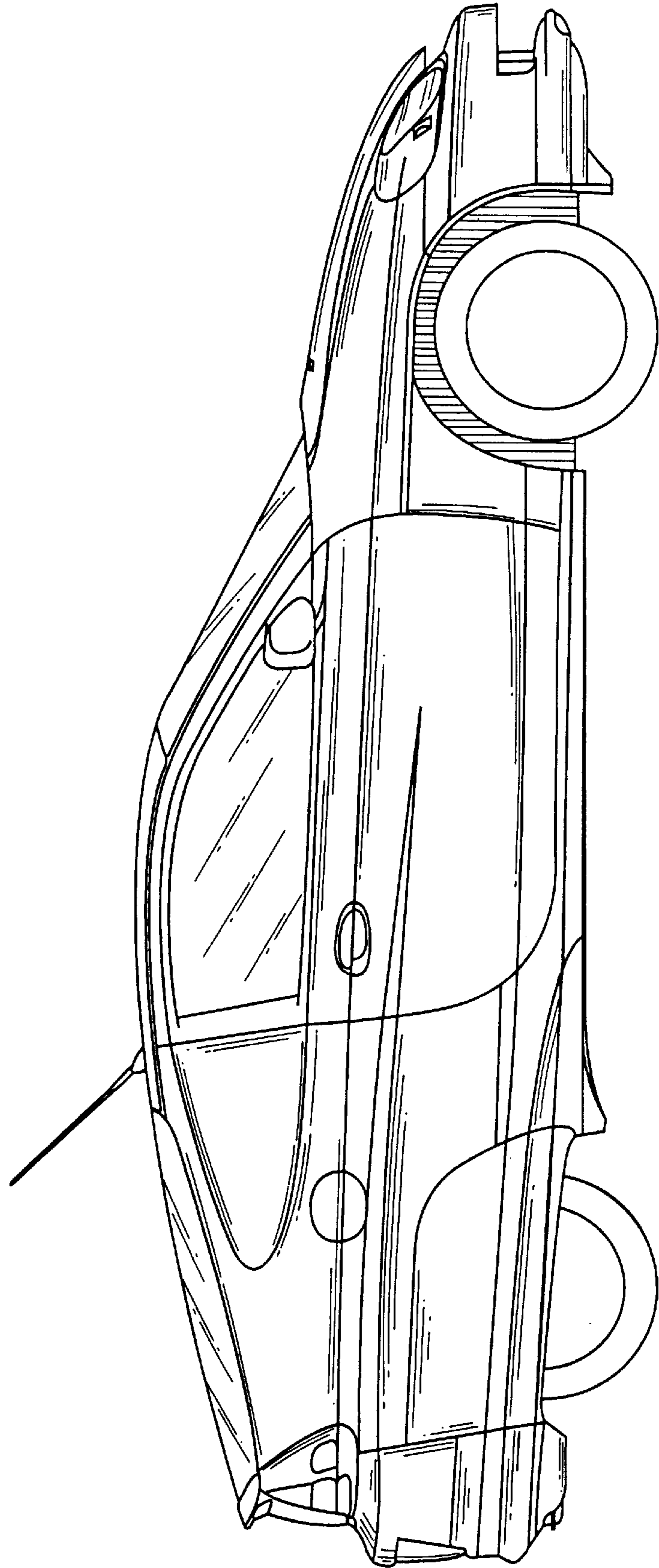


Fig. 7

