



US00D423406S

**United States Patent** [19]  
**Grosfillex**

[11] **Patent Number: Des. 423,406**

[45] **Date of Patent: \*\* Apr. 25, 2000**

[54] **FLOWER POT**

[75] Inventor: **Raymond Grosfillex**, Oyonnax, France

[73] Assignee: **Grosfillex Sarl**, Oyonnax, France

[\*\*] Term: **14 Years**

[21] Appl. No.: **29/093,538**

[22] Filed: **Sep. 14, 1998**

[30] **Foreign Application Priority Data**

Mar. 16, 1998 [XH] Hague Agreement ..... DMA004043

[51] **LOC (6) Cl.** ..... **11-02**

[52] **U.S. Cl.** ..... **D11/155**

[58] **Field of Search** ..... D11/143-156,  
D11/164; D6/403; 47/65.5, 65.7, 67, 68,  
71, 72, 41.01, 41.15; 206/423; 248/27.8

[56] **References Cited**

**U.S. PATENT DOCUMENTS**

- D. 340,204 10/1993 Grosfillex .
- D. 360,166 7/1995 Grosfillex .

**OTHER PUBLICATIONS**

International Terra Cotta Inc. catalog, Ring Vase No. 800, p. 4, 1977.

Earthly Delights, Inc. sell sheet, planter No. 06503, 1982.

Gardener's Eden catalog, Ring Pot No. 02-413807, p. 27, Midwinter 1991.

Deroma terracotta catalog, bowl No. 590, 1995.

*Primary Examiner*—Doris V. Coles

*Assistant Examiner*—Linda Brooks

*Attorney, Agent, or Firm*—Dowell & Dowell, P.C.

[57] **CLAIM**

The ornamental design for a flower pot, as shown and described.

**DESCRIPTION**

FIG. 1 is a rear top perspective view of a flower pot showing my new design;

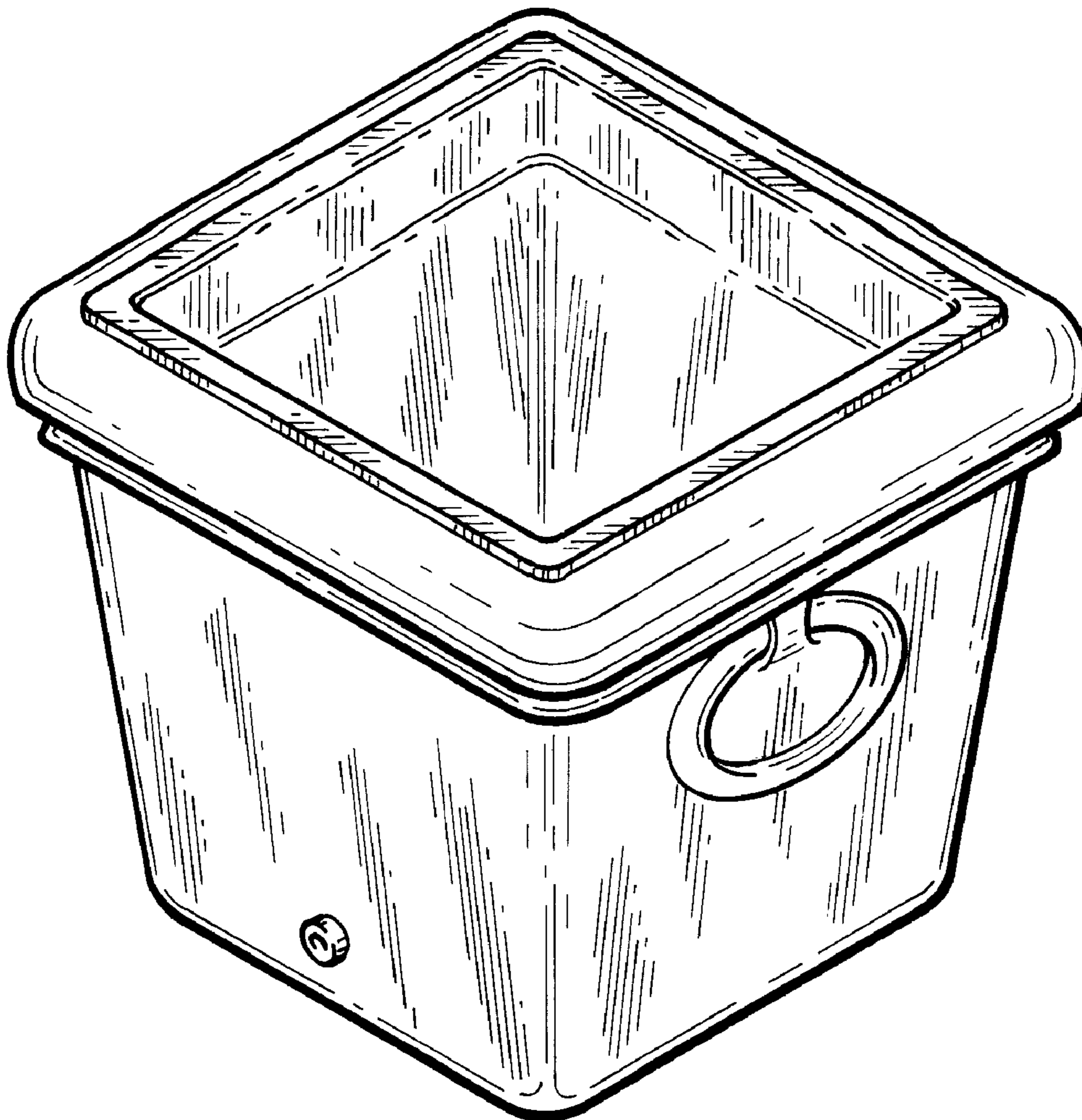
FIG. 2 is a right side view, a view from the left side being a mirror image;

FIG. 3 is a front elevational view thereof;

FIG. 4 is a top plan view thereof; and,

FIG. 5 is a bottom plan view thereof.

**1 Claim, 2 Drawing Sheets**



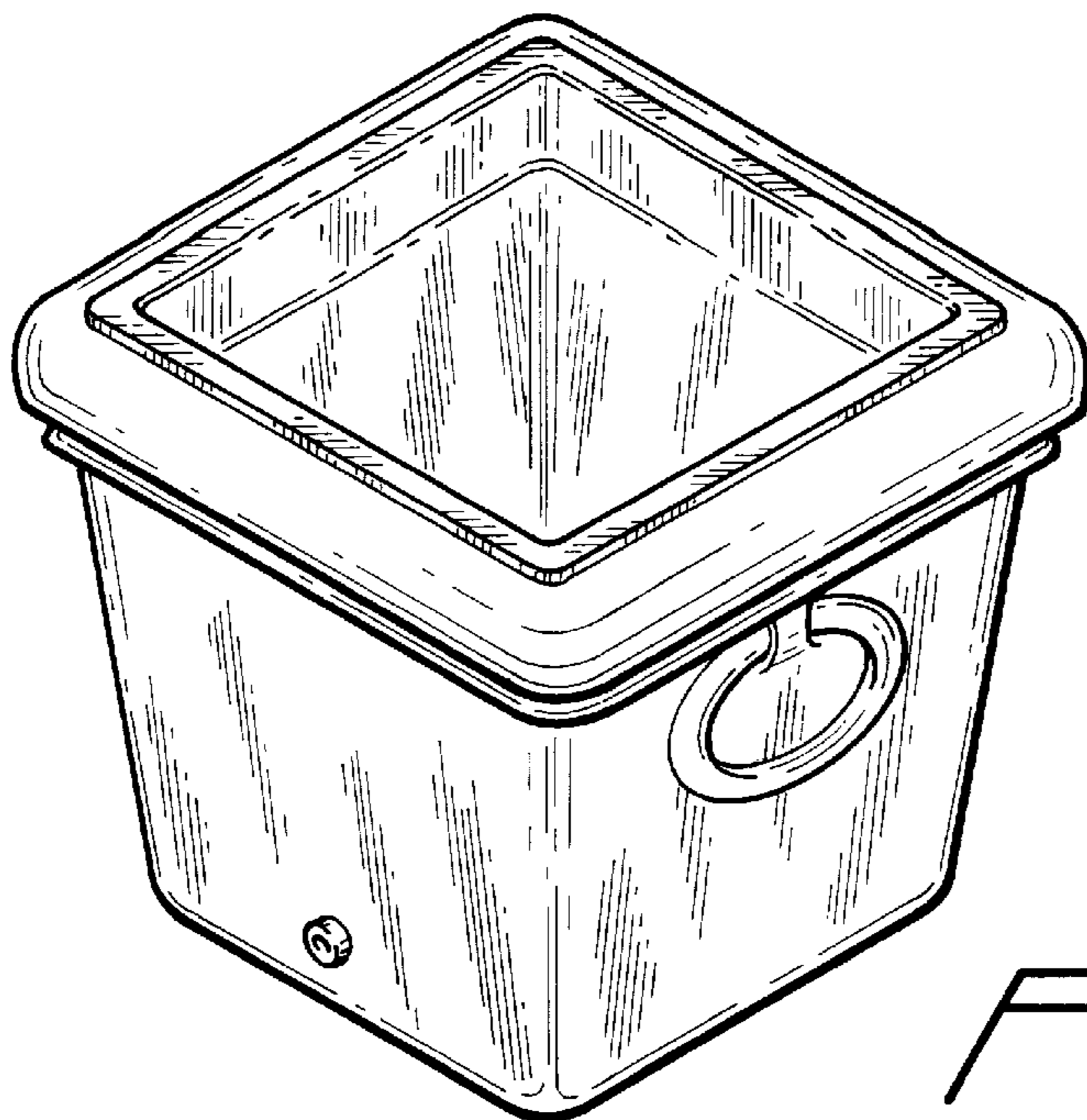


FIG. 1

FIG. 2

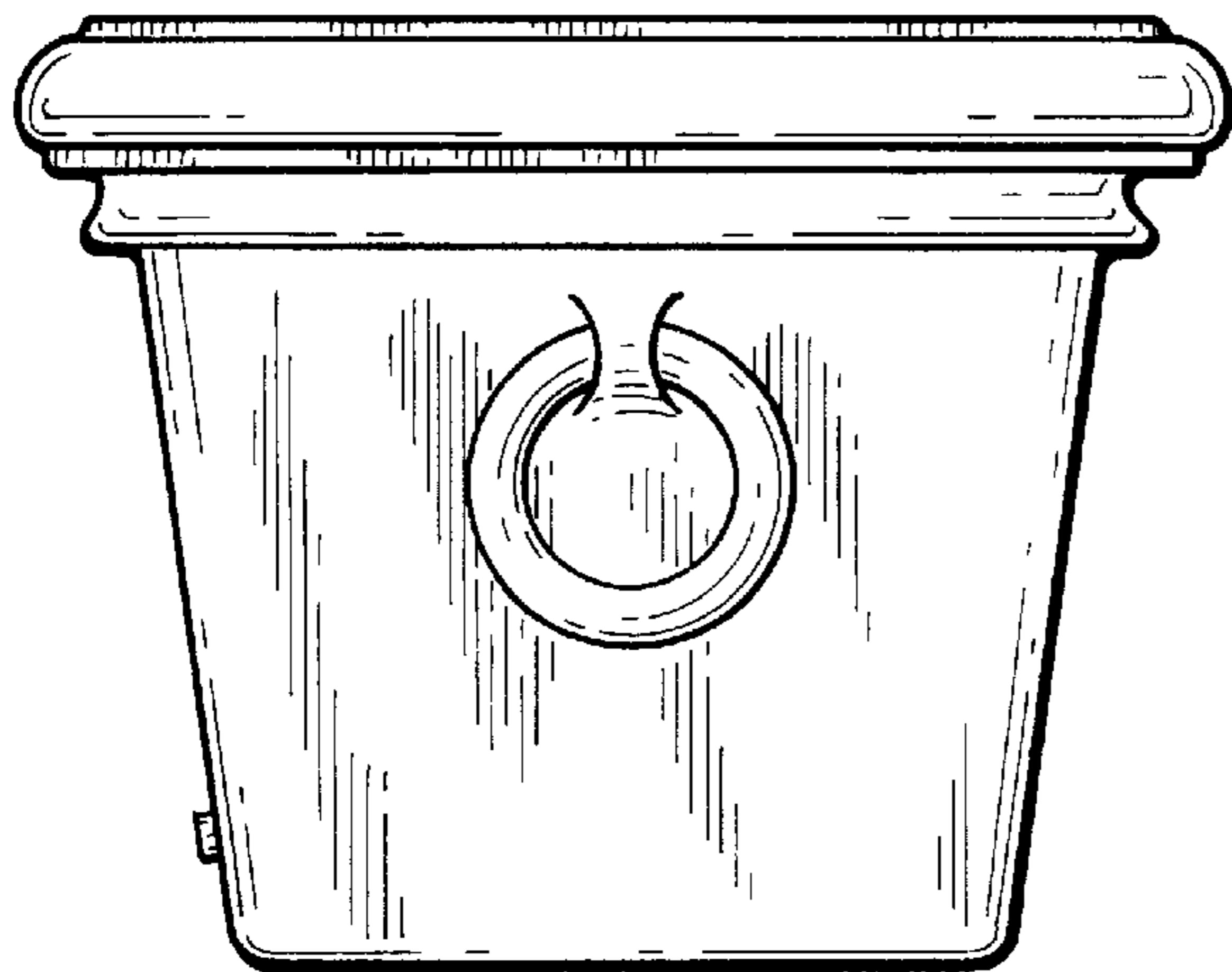
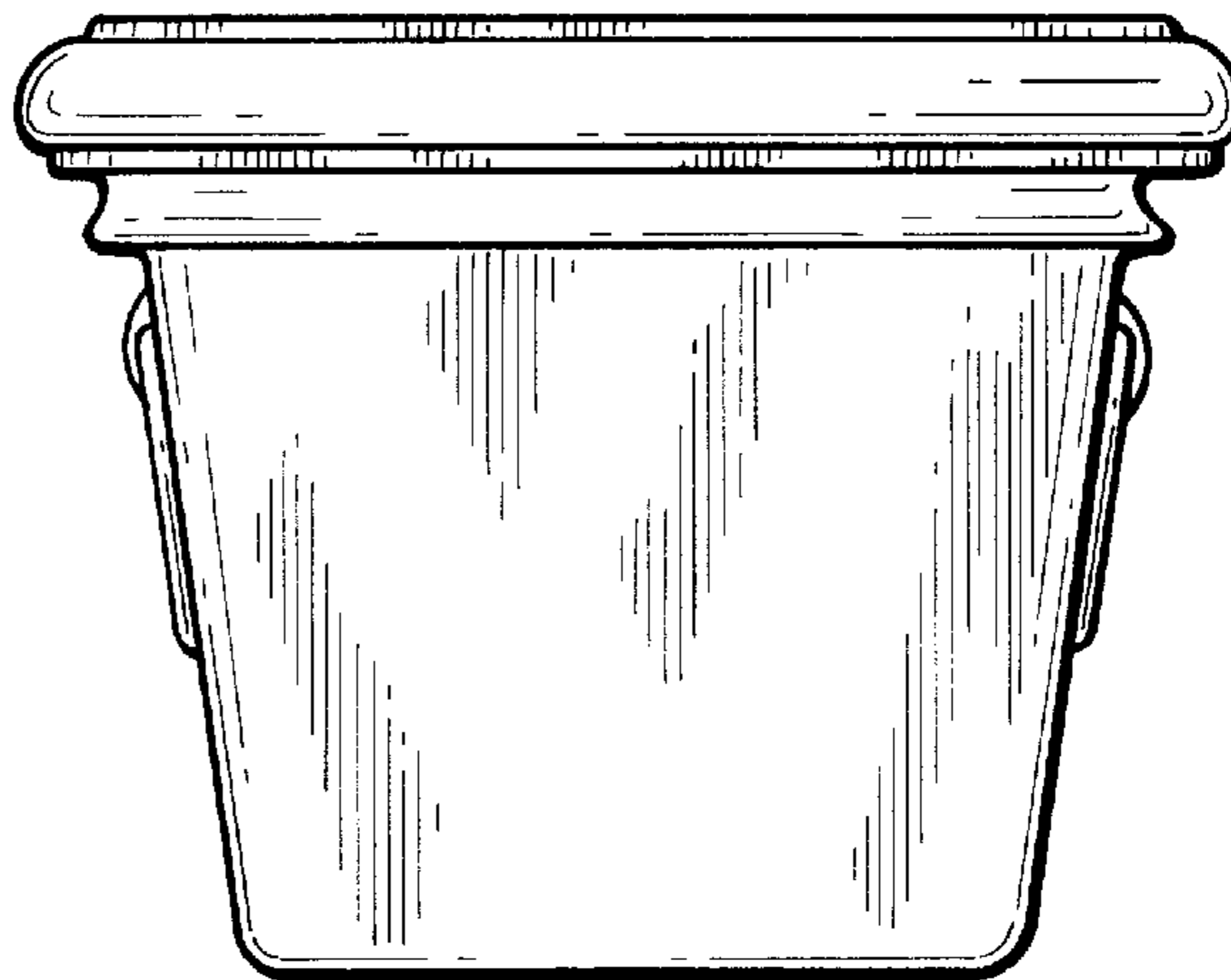


FIG. 3



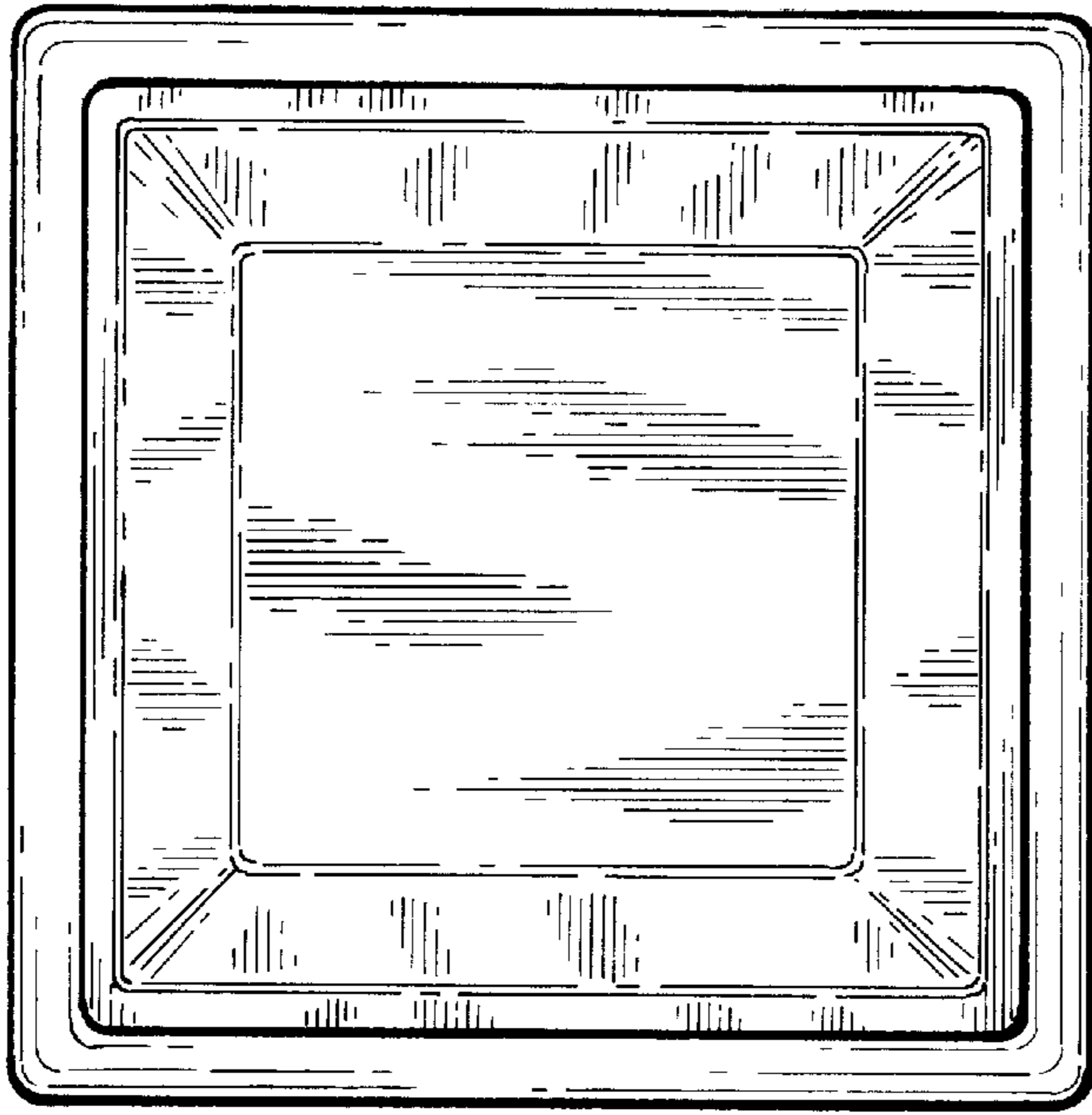


FIG. 4

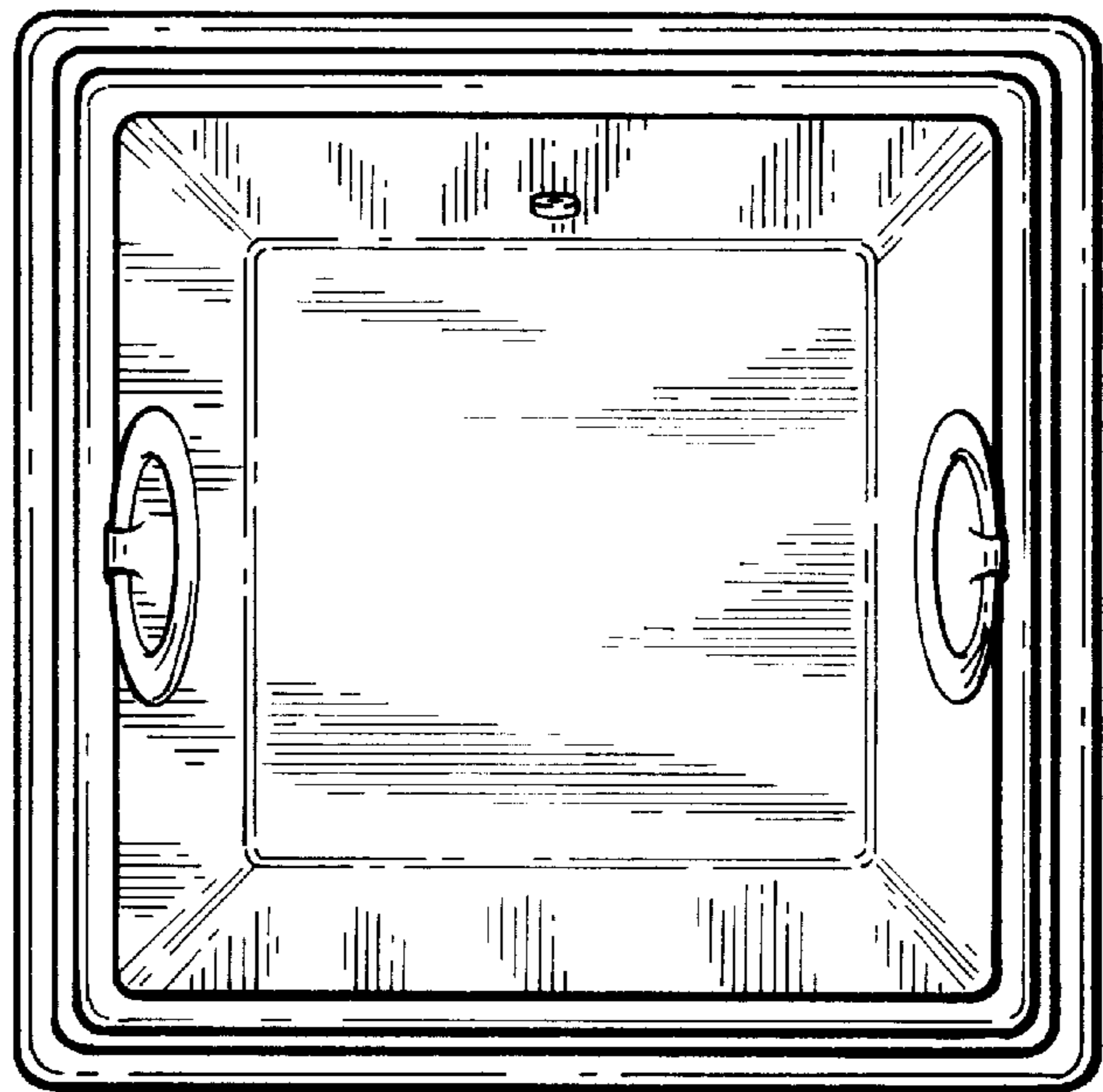


FIG. 5