



US00D423405S

United States Patent [19] Grosfillex

[11] **Patent Number: Des. 423,405**

[45] **Date of Patent: ** Apr. 25, 2000**

[54] **FLOWER POT**

3,395,486 8/1968 Campbell et al. .

[75] Inventor: **Raymond Grosfillex**, Oyonnax, France

OTHER PUBLICATIONS

[73] Assignee: **Grosfillex Sarl**, Oyonnax, France

Earthly Delights, inc. catalog, pot No. 01101, 1982.
Deroma terracotta catalog, pot No. 48, 1995.
Smith & Hawken catalog, cylinder planter, p. 41, Spring 1989.

[**] Term: **14 Years**

Gardener's Eden, planter G on p. 29, holiday/1993.
International Terra Cotta, Inc., Group 290 No. 2 Vase.

[21] Appl. No.: **29/093,537**

[22] Filed: **Sep. 14, 1998**

[30] Foreign Application Priority Data

Mar. 16, 1998 [WO] WIPO DMA/004043

[51] **LOC (6) Cl.** **11-02**

[52] **U.S. Cl.** **D11/152**

[58] **Field of Search** D11/143-156,
D11/164; D6/403; 47/65.5, 65.7, 67, 68,
71, 72, 41.01, 41.15; 206/423; 248/27.8

Primary Examiner—Doris V. Coles
Assistant Examiner—Linda Brooks
Attorney, Agent, or Firm—Dowell & Dowell, P.C.

[57] CLAIM

The ornamental design for a flower pot, as shown and described.

[56] References Cited

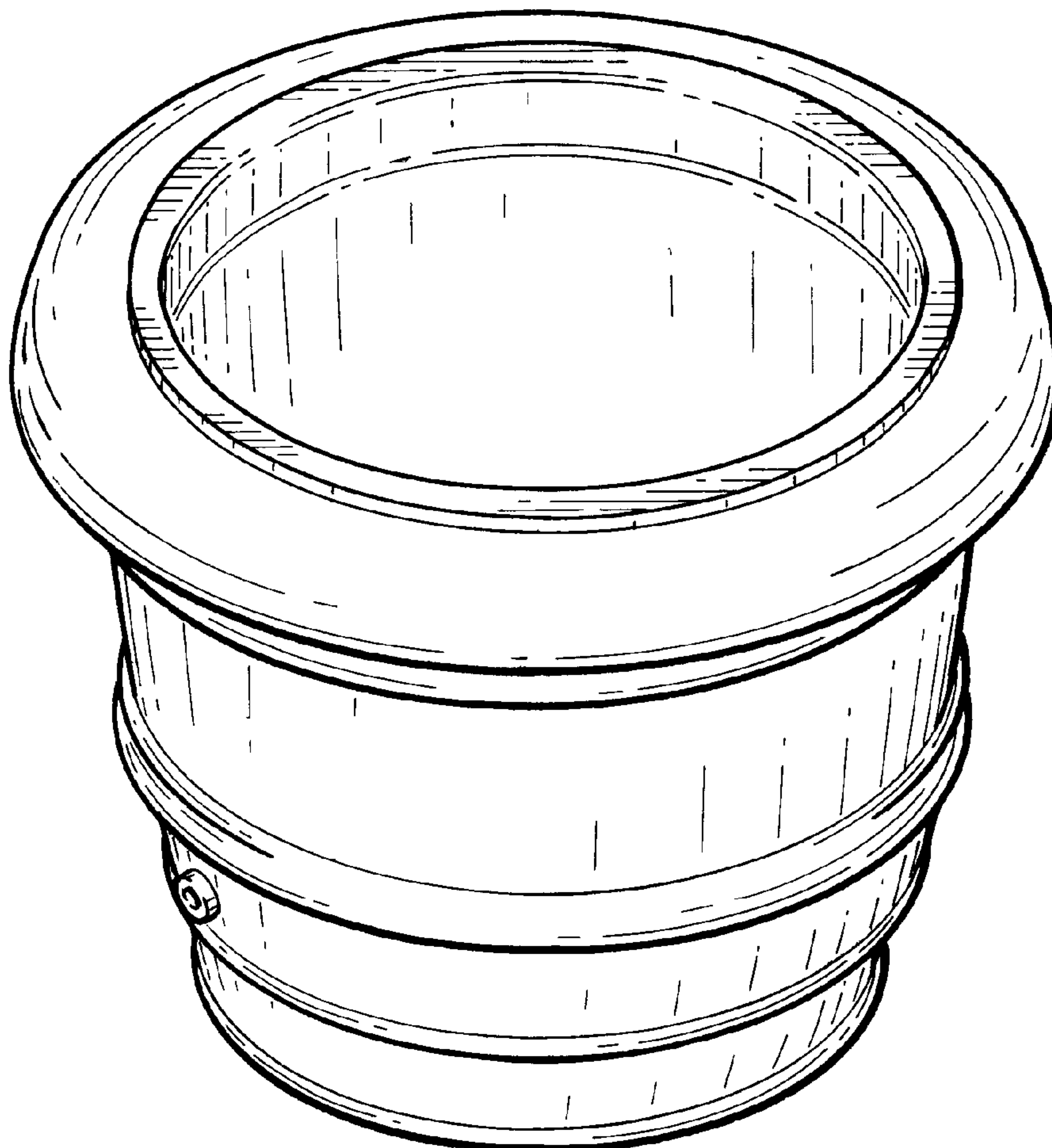
U.S. PATENT DOCUMENTS

- D. 324,005 2/1992 Grosfillex .
- D. 360,850 8/1995 Grosfillex .
- D. 398,557 9/1998 Grosfillex D11/152
- D. 405,387 2/1999 Masello D11/152

DESCRIPTION

FIG. 1 is a top perspective view of a flower pot showing my new design;
FIG. 2 is a rear elevational view;
FIG. 3 is a front elevational view;
FIG. 4 is a top plan view; and,
FIG. 5 is a bottom plan view.

1 Claim, 2 Drawing Sheets



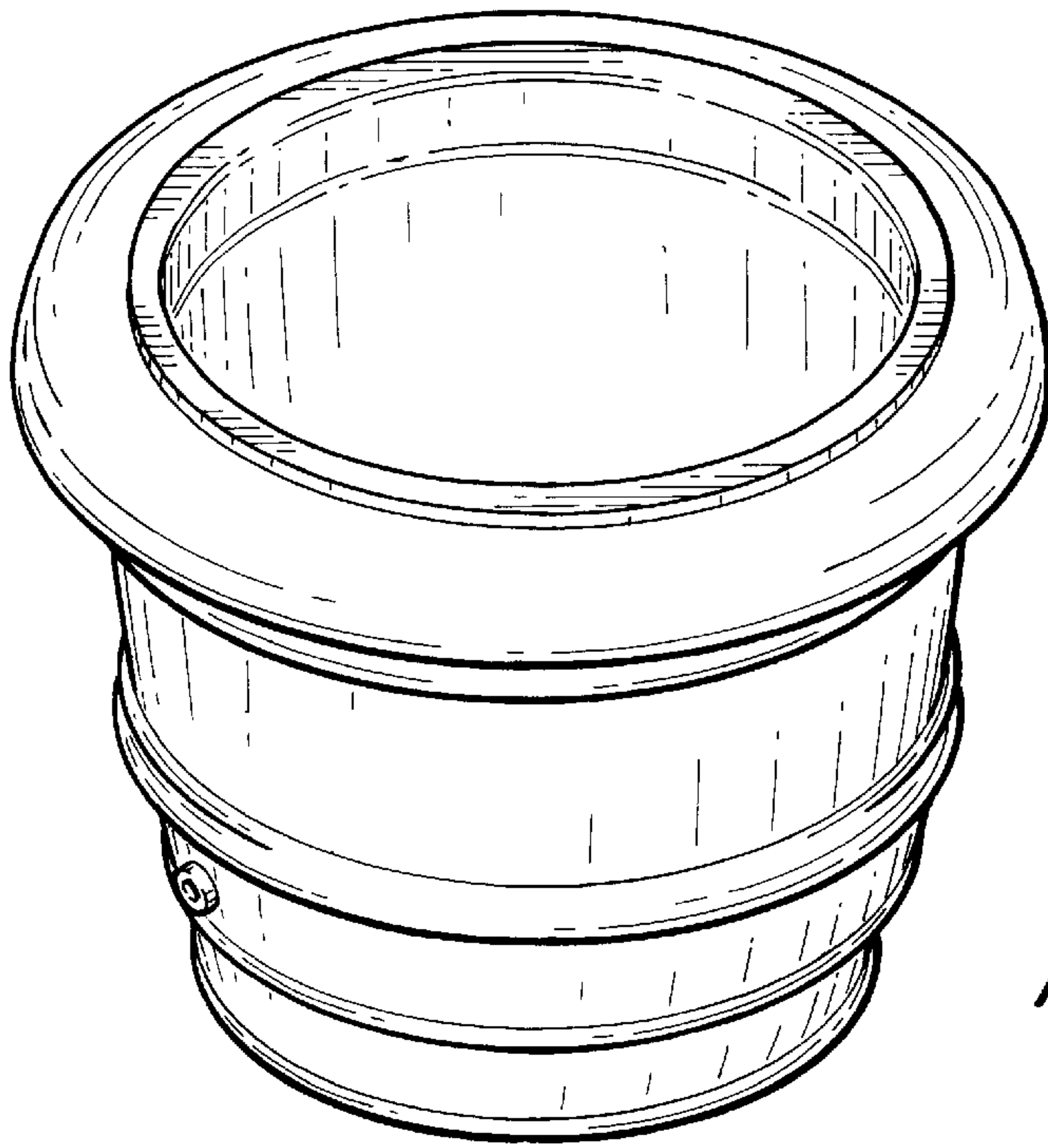


FIG. 1

FIG. 2

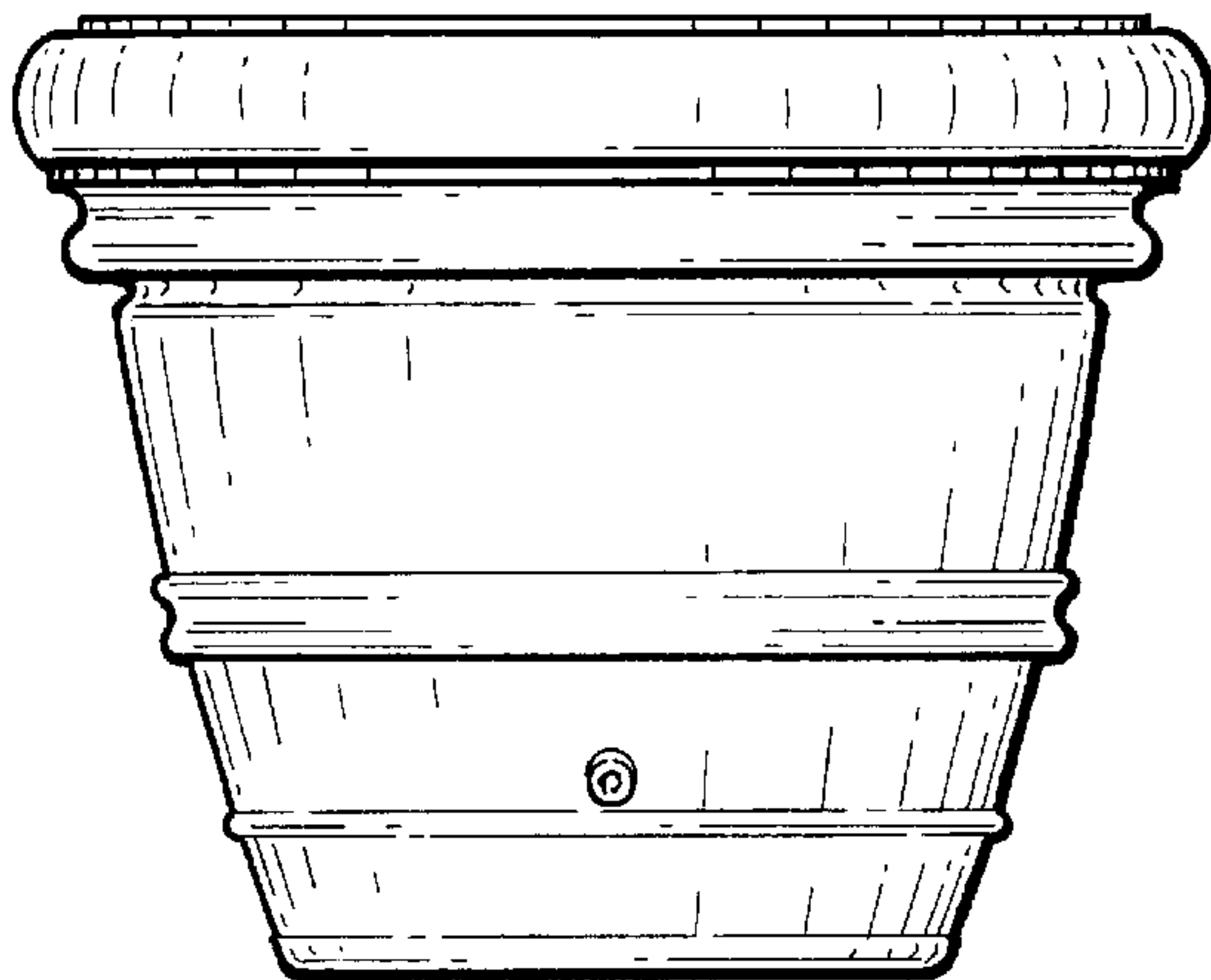
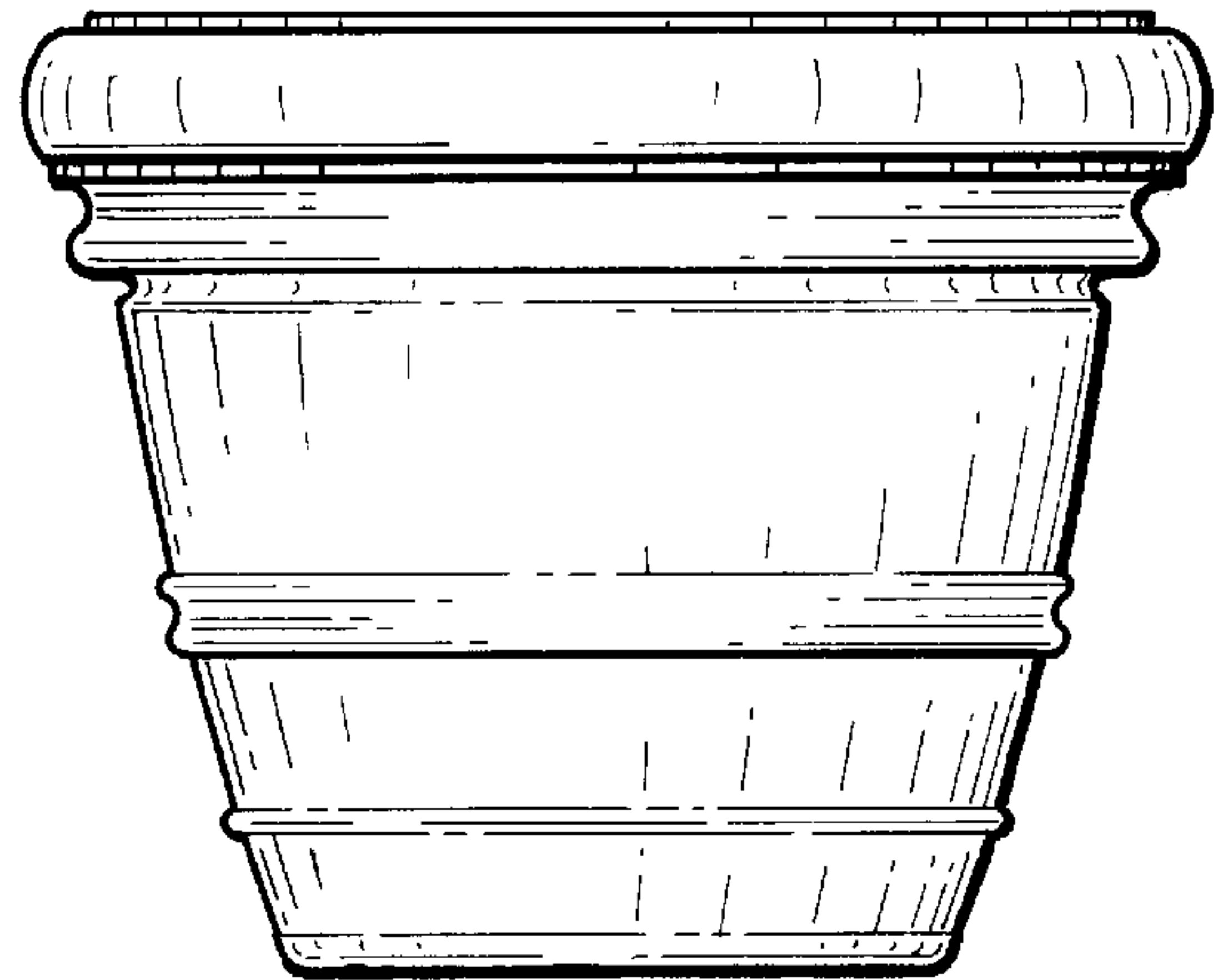


FIG. 3



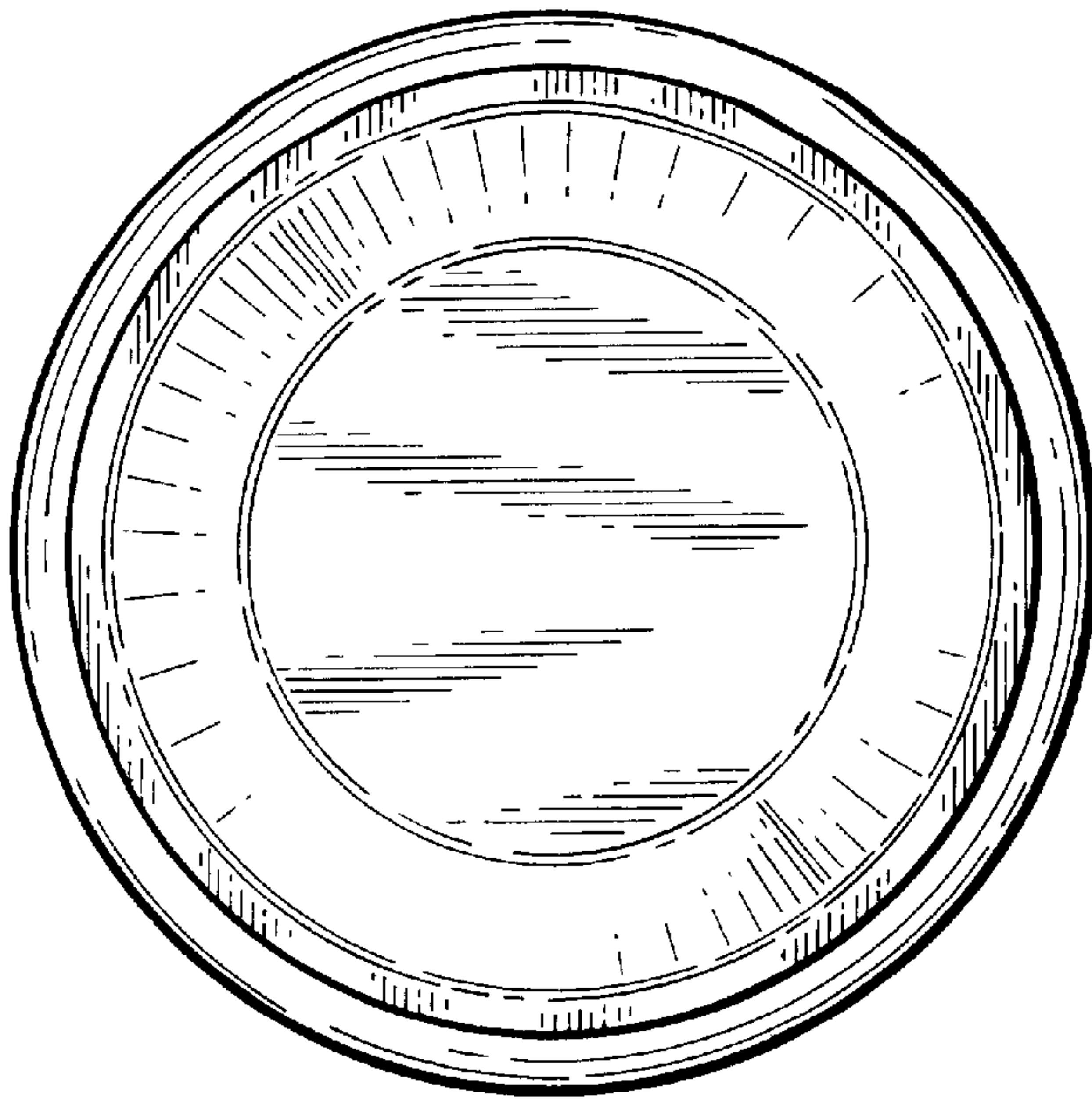


FIG. 4

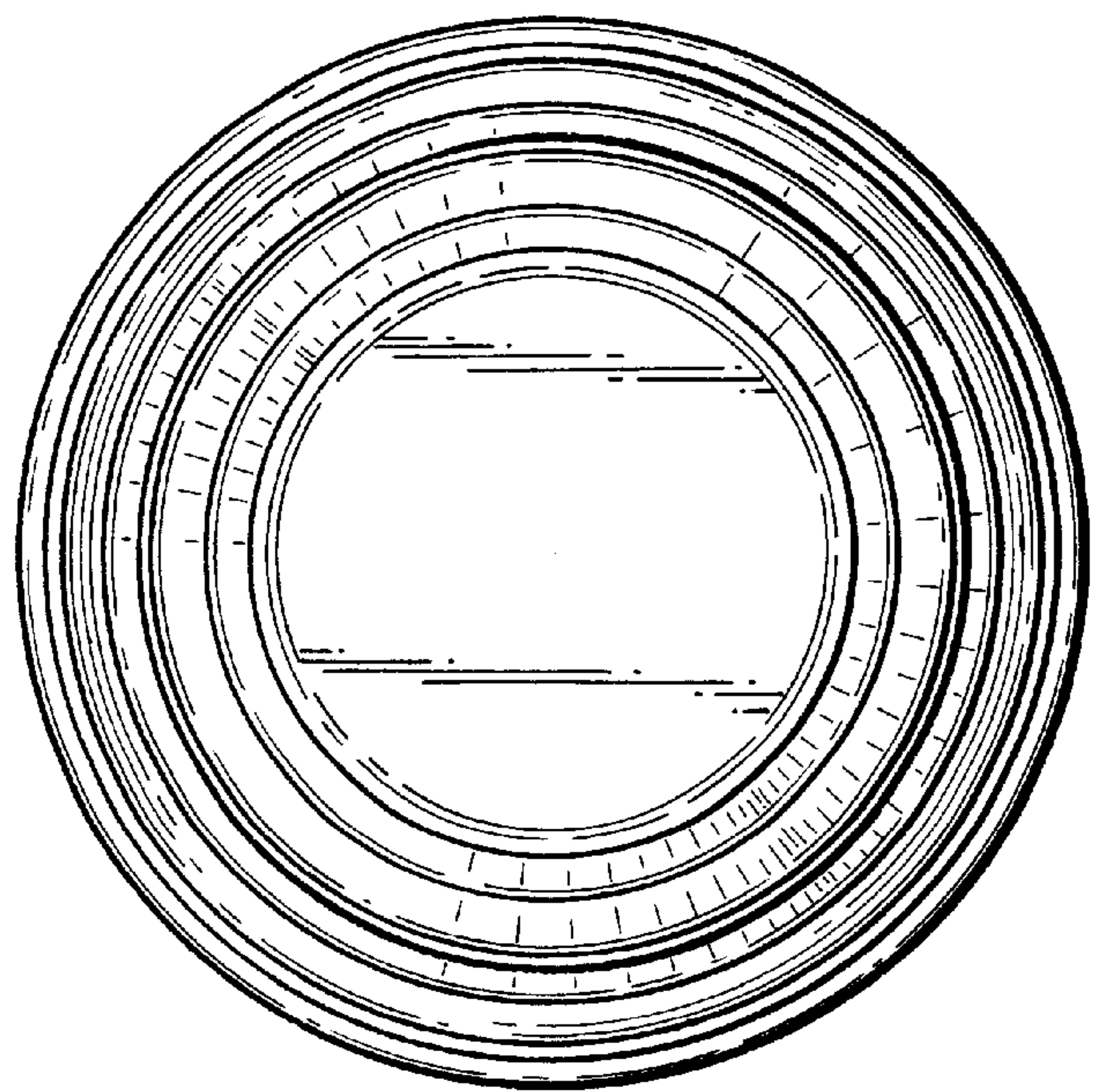


FIG. 5