



US00D423401S

United States Patent [19]
Wolford

[11] **Patent Number: Des. 423,401**

[45] **Date of Patent: ** Apr. 25, 2000**

[54] **RACE CAR INCENSE BURNER**

[76] Inventor: **Charles R. Wolford**, 14 Sigtown Rd.,
Cape May Court House, N.J. 08210

[**] Term: **14 Years**

[21] Appl. No.: **29/106,091**

[22] Filed: **Jun. 10, 1999**

[51] **LOC (6) Cl.** **11-02**

[52] **U.S. Cl.** **D11/131.1**

[58] **Field of Search** D11/131.1; 422/125,
422/126

[56] **References Cited**

U.S. PATENT DOCUMENTS

D. 38,142	7/1906	Schutz	D11/131.1
D. 86,917	5/1932	Iorio	D11/131.1
D. 204,192	3/1966	Muellar	D11/131.1
1,530,103	3/1925	Booth	422/125
1,969,756	8/1934	Lowell	422/125

Primary Examiner—Dominic Simone
Attorney, Agent, or Firm—Stuart M. Goldstein

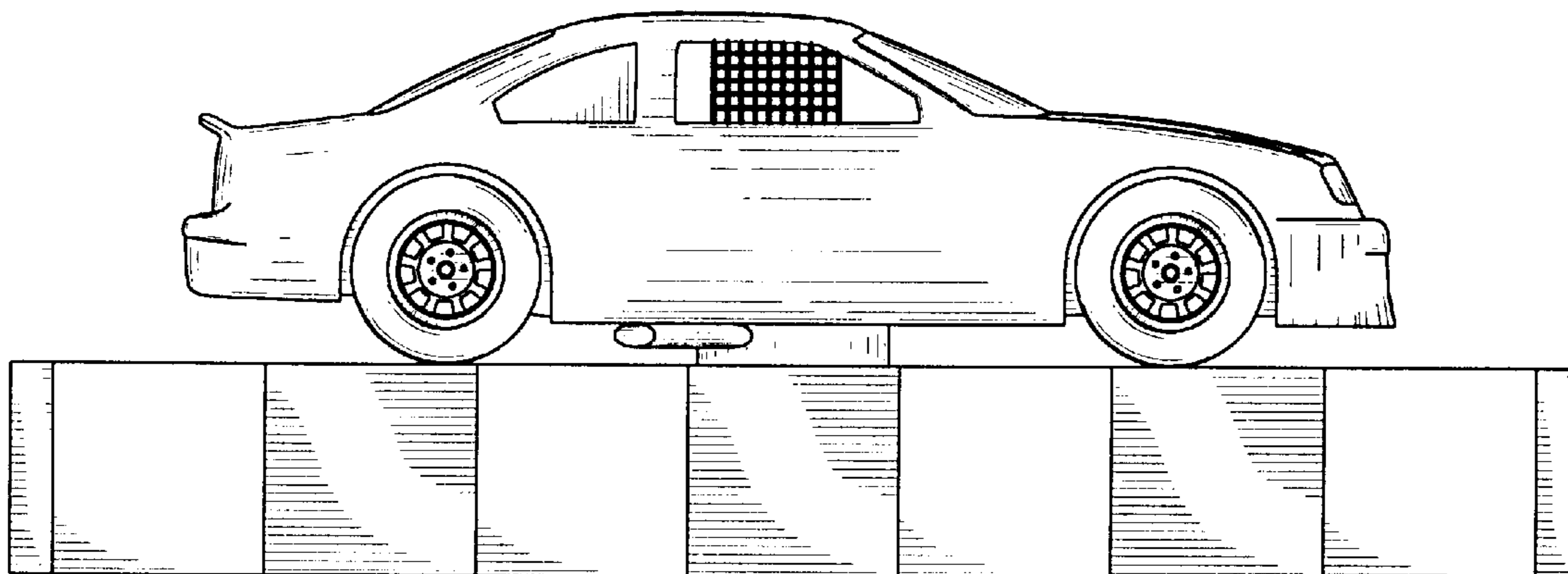
[57] **CLAIM**

The ornamental design for a race car incense burner, as shown and described.

DESCRIPTION

FIG. 1 is a left side elevational view of a race car incense burner showing my new design;
FIG. 2 is a right side elevational view thereof;
FIG. 3 is a front elevational view thereof;
FIG. 4 is a rear elevational view thereof;
FIG. 5 is a top plan view thereof;
FIG. 6 is a bottom plan view of the base component shown separately for clarity of illustration;
FIG. 7 is a bottom plan view of the car component shown separately for clarity of illustration; and,
FIG. 8 is a top plan view of the base component shown separately for clarity of illustration.

1 Claim, 5 Drawing Sheets



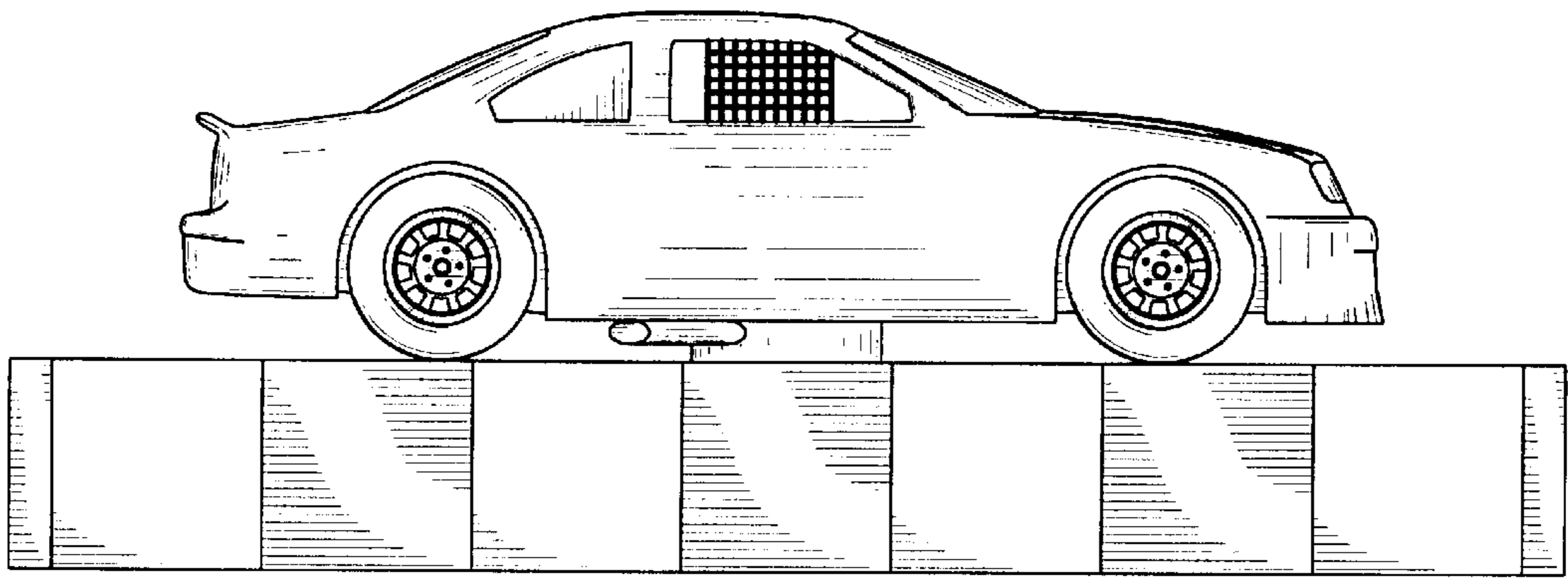


FIG. 1

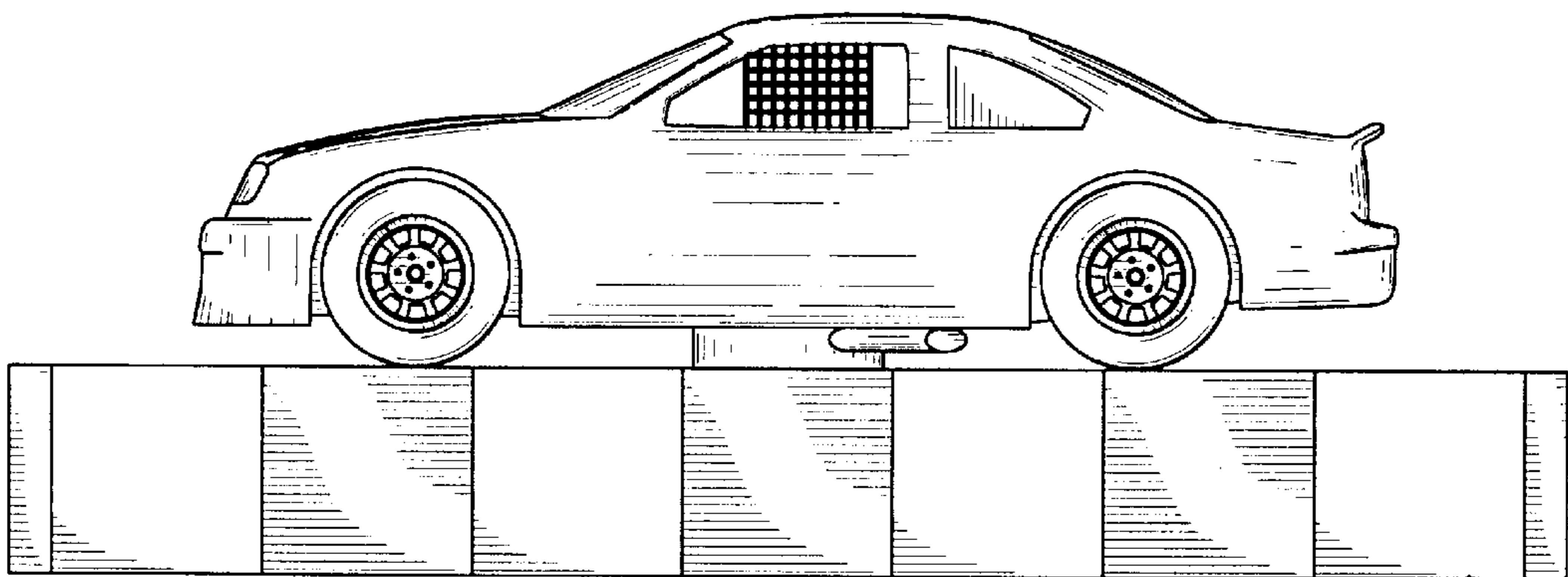


FIG. 2

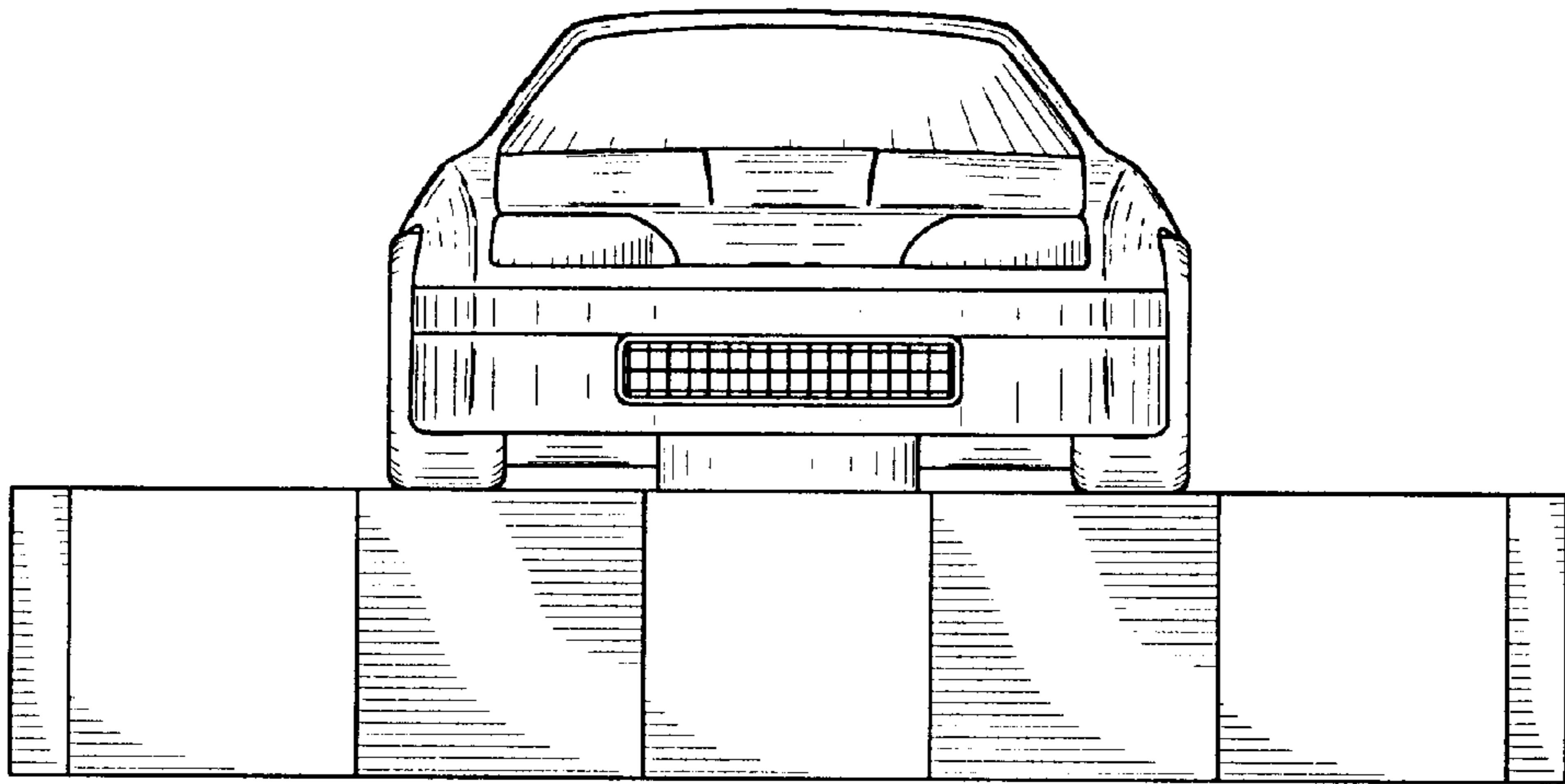


FIG. 3

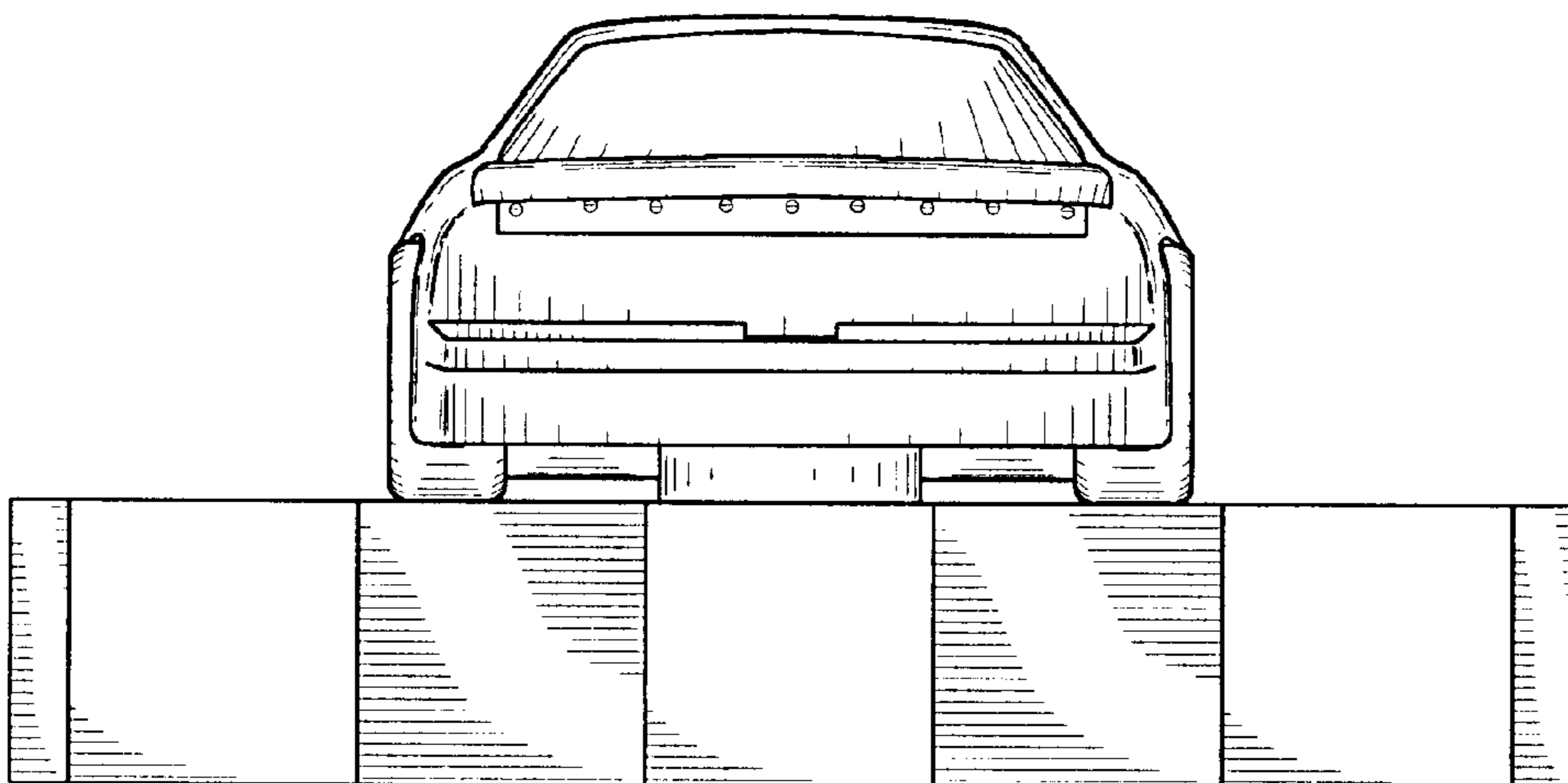


FIG. 4

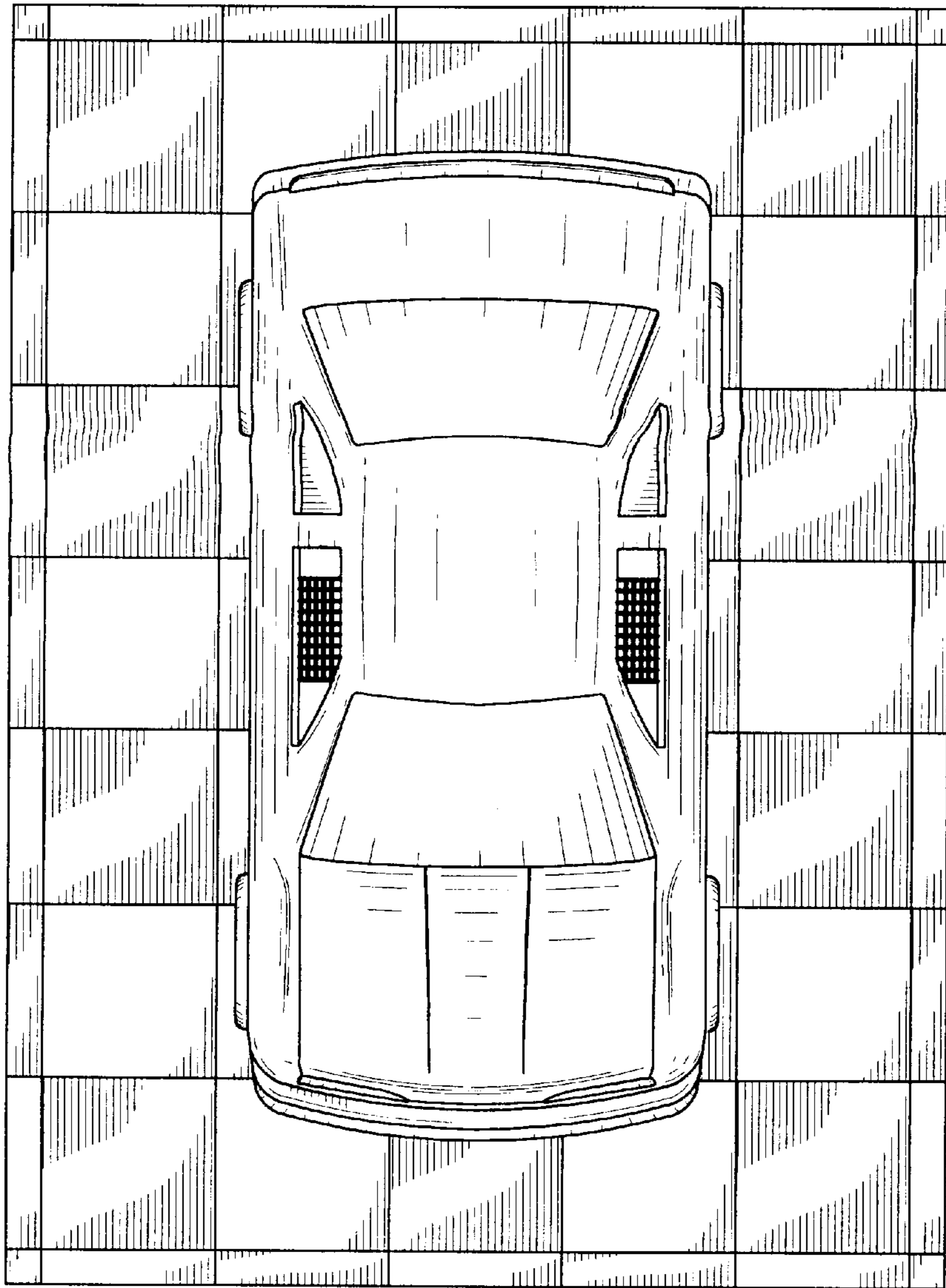


FIG. 5

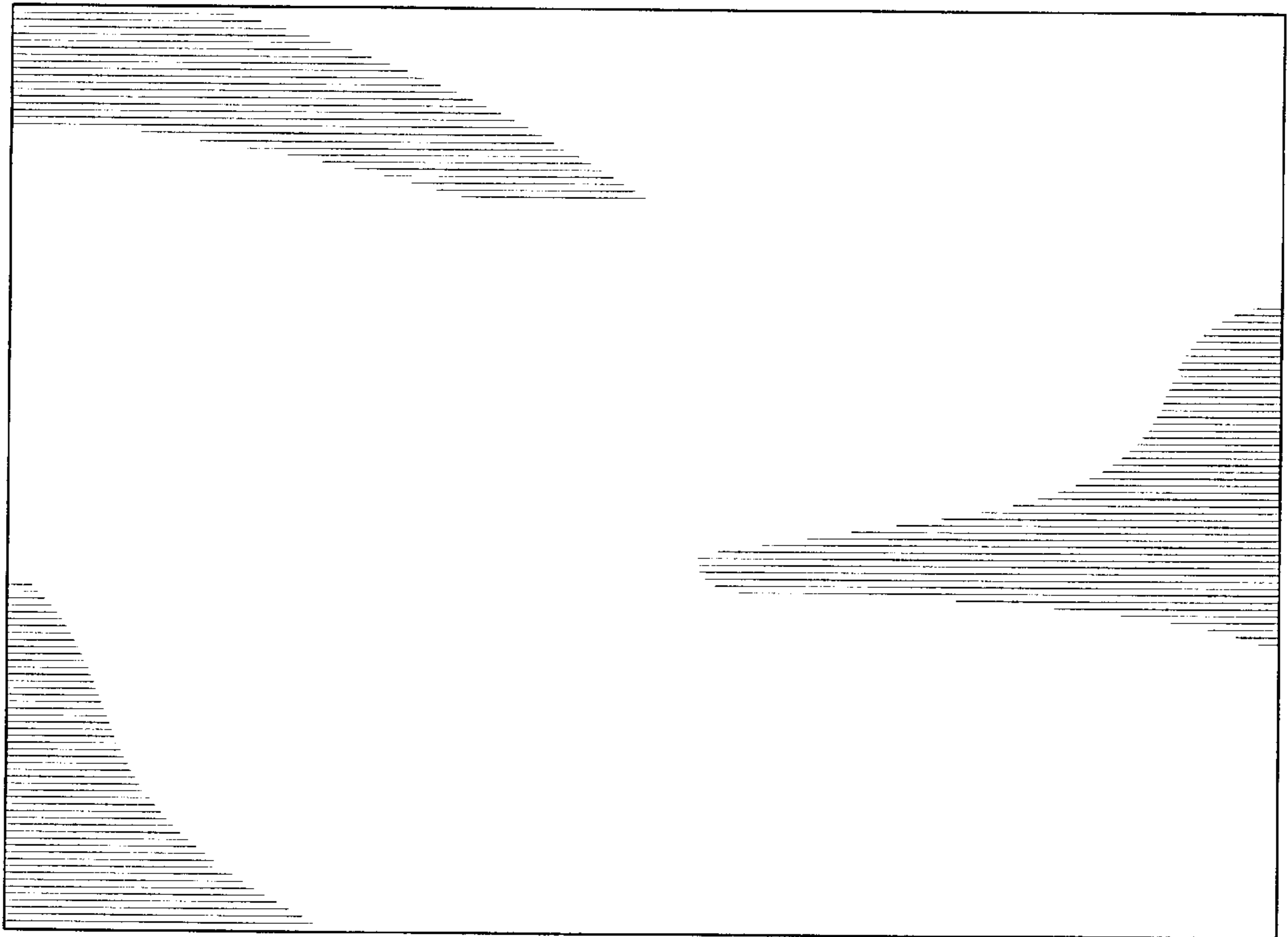


FIG. 6

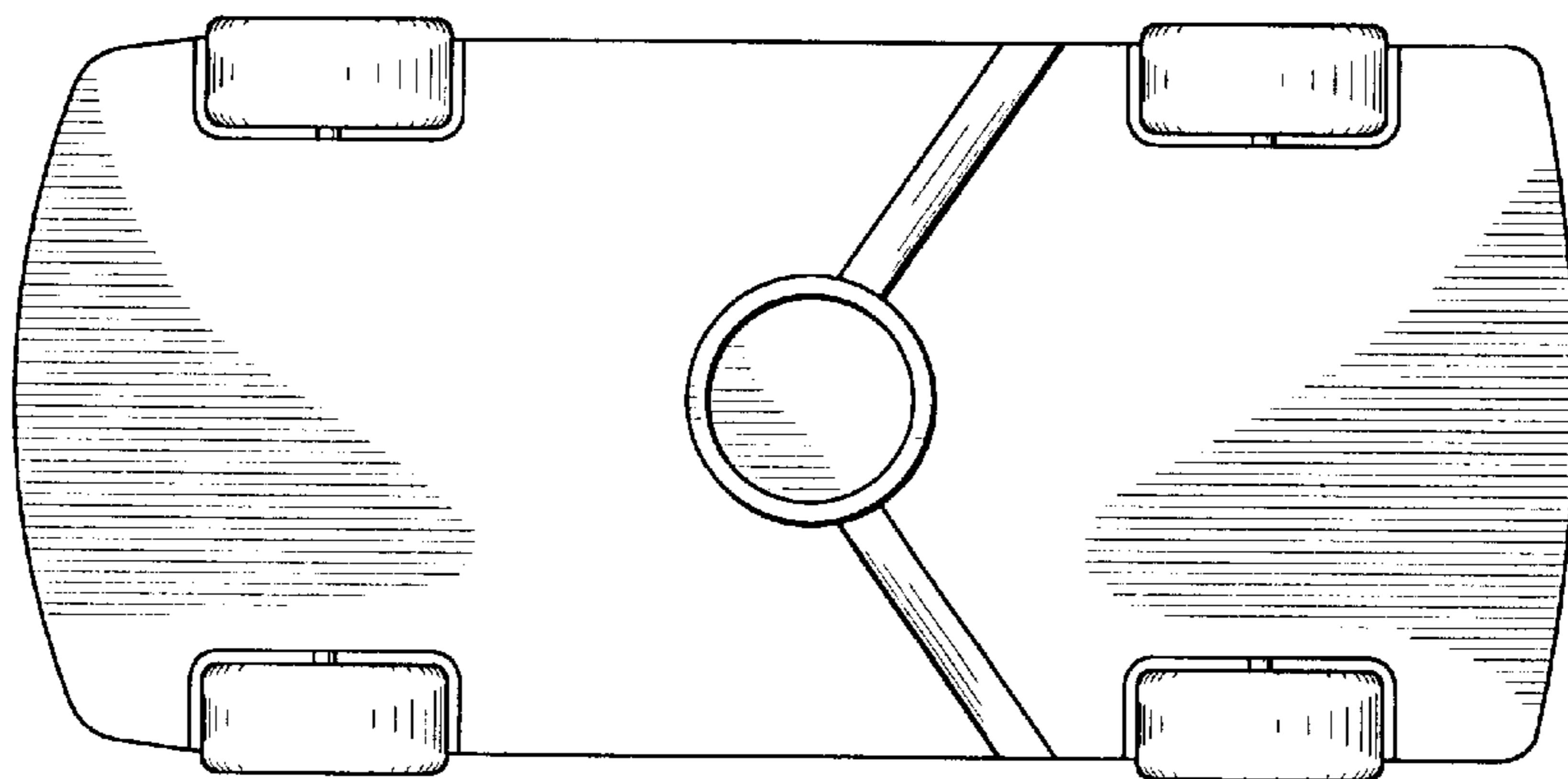


FIG. 7

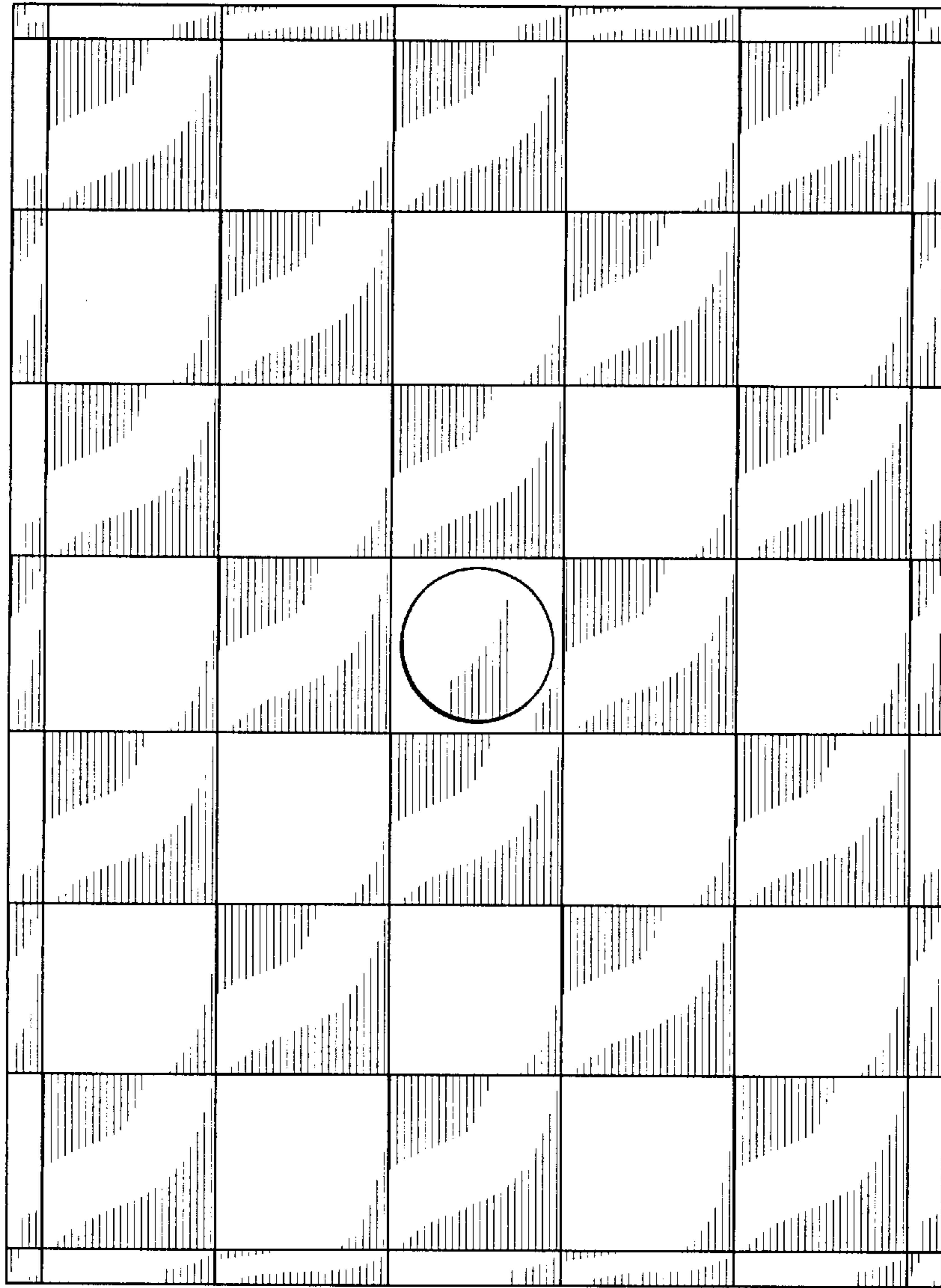


FIG. 8