



US00D423395S

United States Patent [19]
Parker

[11] **Patent Number: Des. 423,395**

[45] **Date of Patent: ** Apr. 25, 2000**

[54] **JEWELRY PIN TO PENDANT ADAPTER**

5,245,844 9/1993 Panzer 63/1.17

[76] Inventor: **Karen E. Parker**, One Kendall Dr.,
Lincoln, R.I. 02865

Primary Examiner—Ralf Seifert
Attorney, Agent, or Firm—Robert J Doherty

[**] Term: **14 Years**

[57] **CLAIM**

[21] Appl. No.: **29/092,947**

The ornamental design for a jewelry pin to pendant adaptor,
as shown and described.

[22] Filed: **Aug. 31, 1998**

DESCRIPTION

[51] **LOC (6) Cl.** **11-01**

[52] **U.S. Cl.** **D11/86**

[58] **Field of Search** D11/1, 2, 86, 87,
D11/200, 201, 202, 206, 46; 63/1, 3.2,
20, 2, 1.16, 1.17; 24/3.1, 104, 116 A, 265 B,
299, 367.1, 707.5

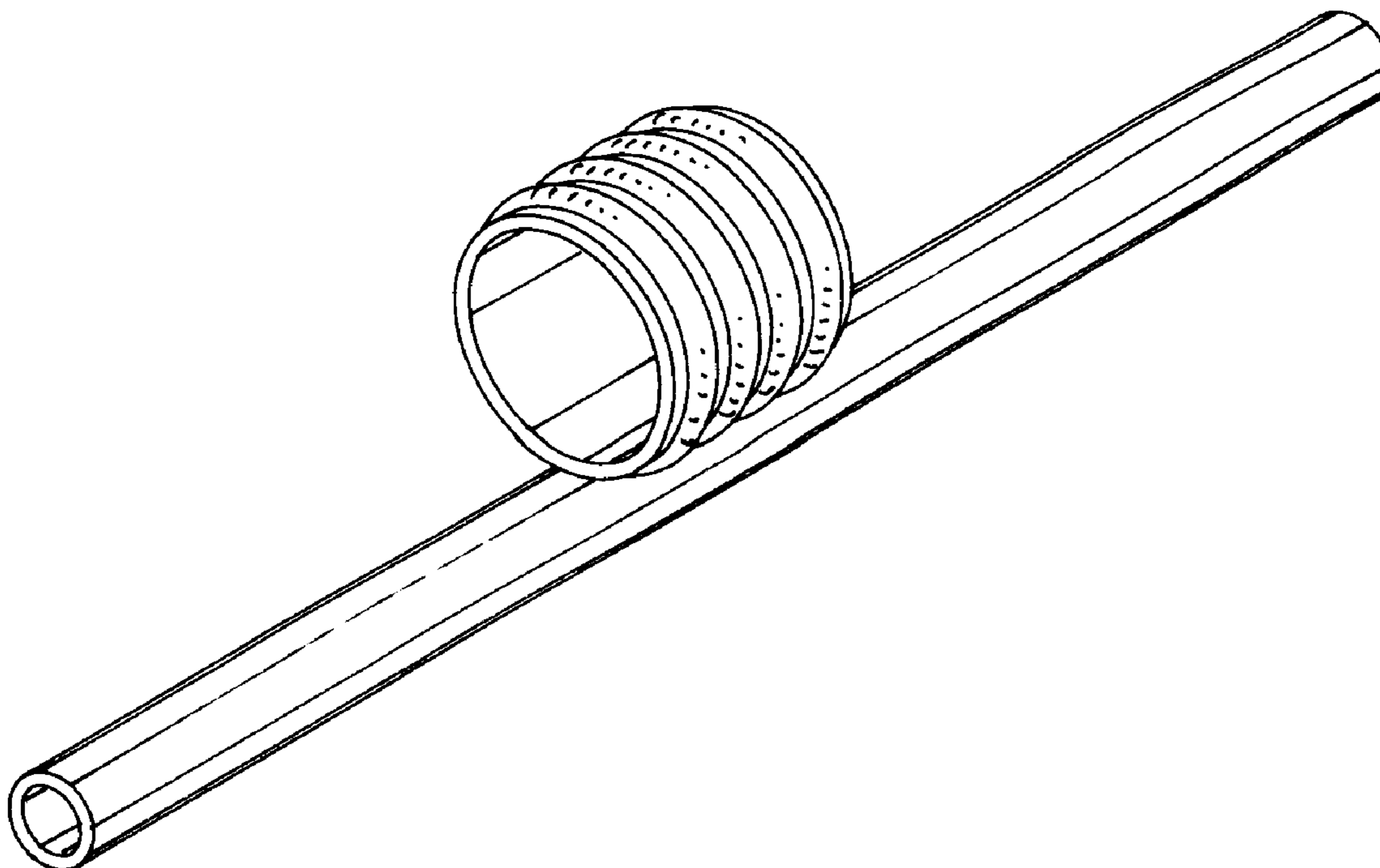
FIG. 1 is a front perspective view of a jewelry pin to pendant
adapter showing my new design;
FIG. 2 is a front elevational view, the rear elevational view
being the mirror image thereof;
FIG. 3 is a top view thereof;
FIG. 4 is a bottom view thereof;
FIG. 5 is a left side elevational view of FIG. 4, the right side
elevational view being the mirror image thereof;
FIG. 6 is a front elevational view of a jewelry pin to pendant
adapter showing a second embodiment of my new design;
FIG. 7 is front elevational view of a jewelry pin to pendant
adaptor showing a third embodiment of my new design; and,
FIG. 8 is a front elevational view of a jewelry pin to pendant
adaptor showing a fourth embodiment of my new design.

[56] **References Cited**

U.S. PATENT DOCUMENTS

D. 5,545	2/1872	Draper	D11/86
D. 10,865	9/1878	Draper	D11/86
362,737	5/1887	Fletcher	24/707.5
992,659	5/1911	Hartoch	24/367.1
1,310,803	7/1919	Maurer	24/3.1
2,274,269	2/1942	Sellinck	63/1.17
3,850,010	11/1974	Noto	63/1.16

1 Claim, 2 Drawing Sheets



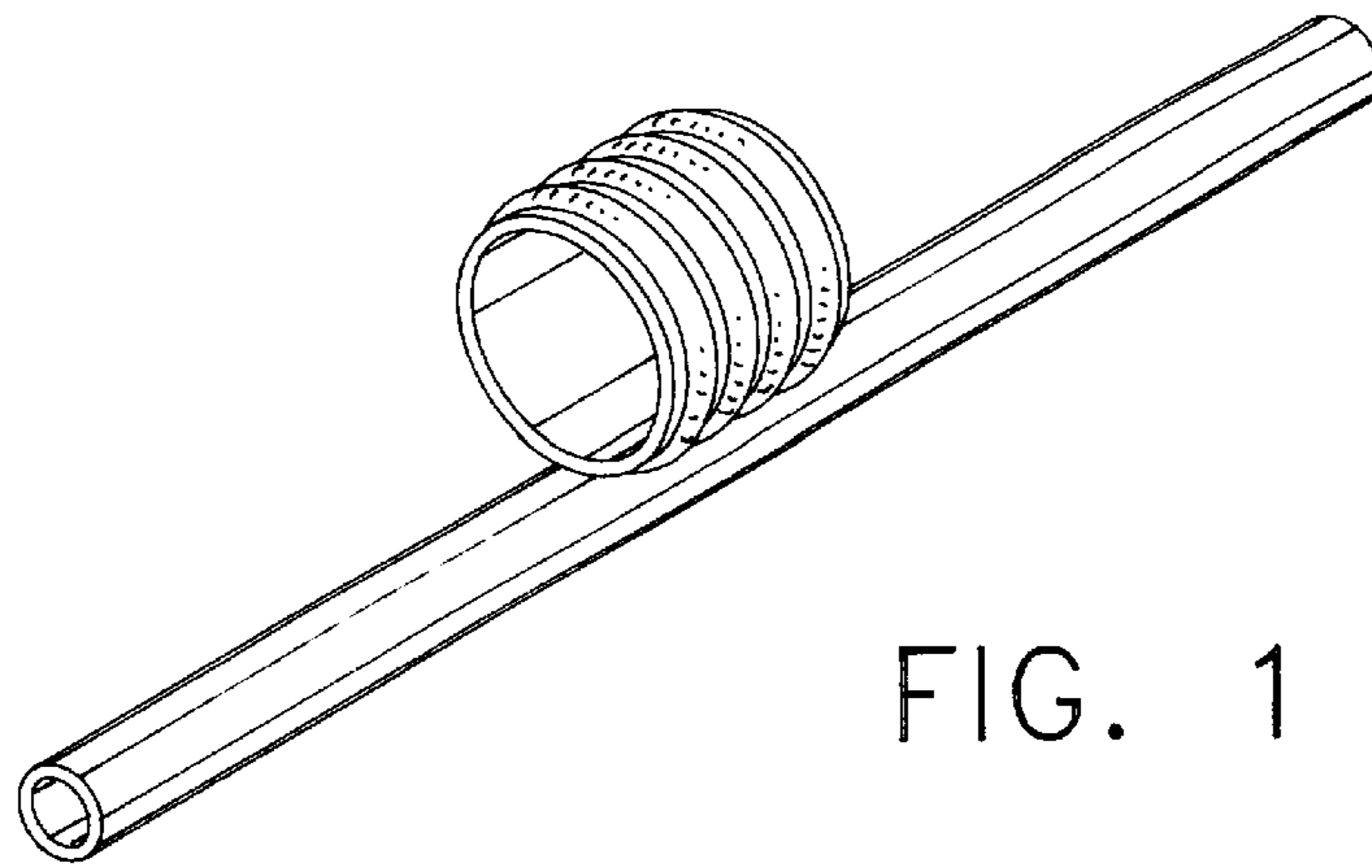


FIG. 1

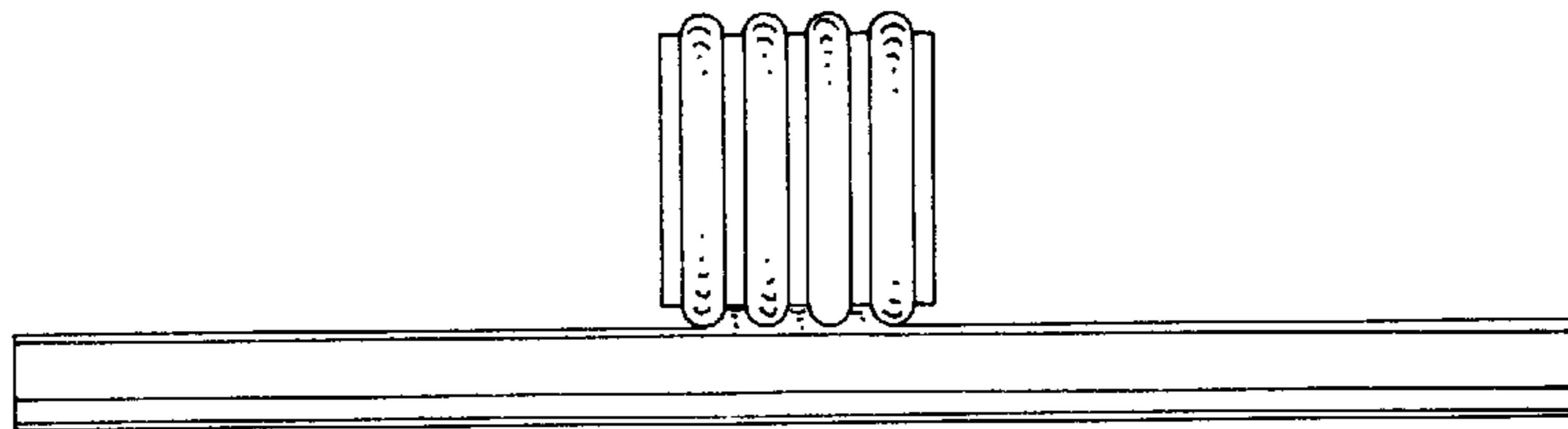


FIG. 2

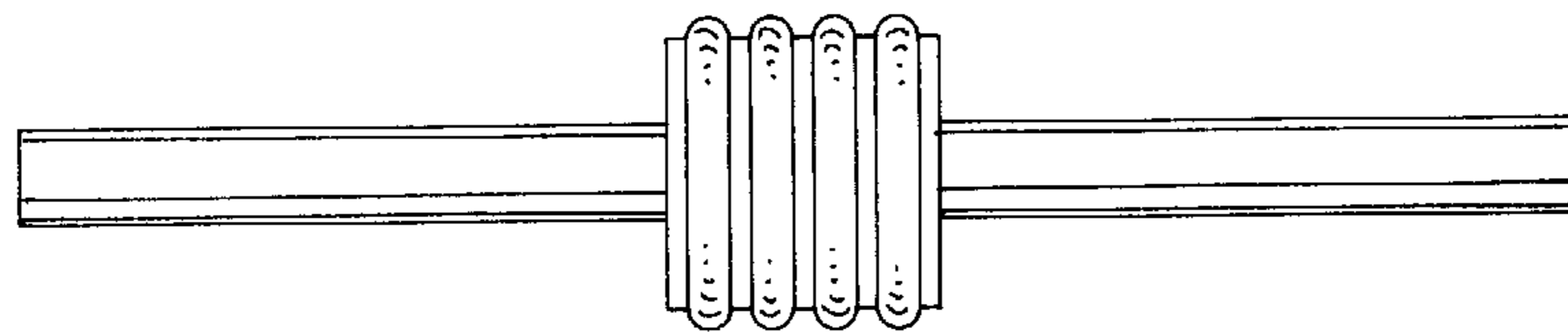


FIG. 3

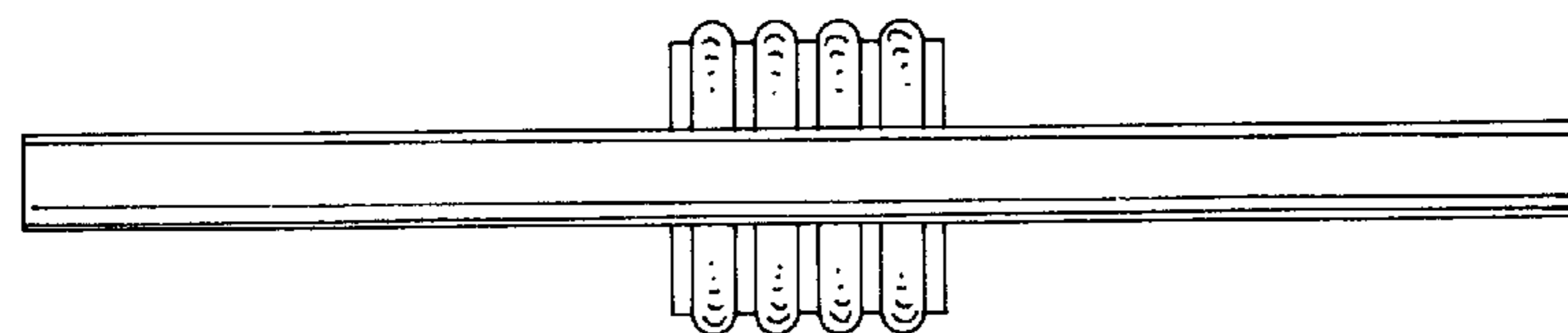


FIG. 4

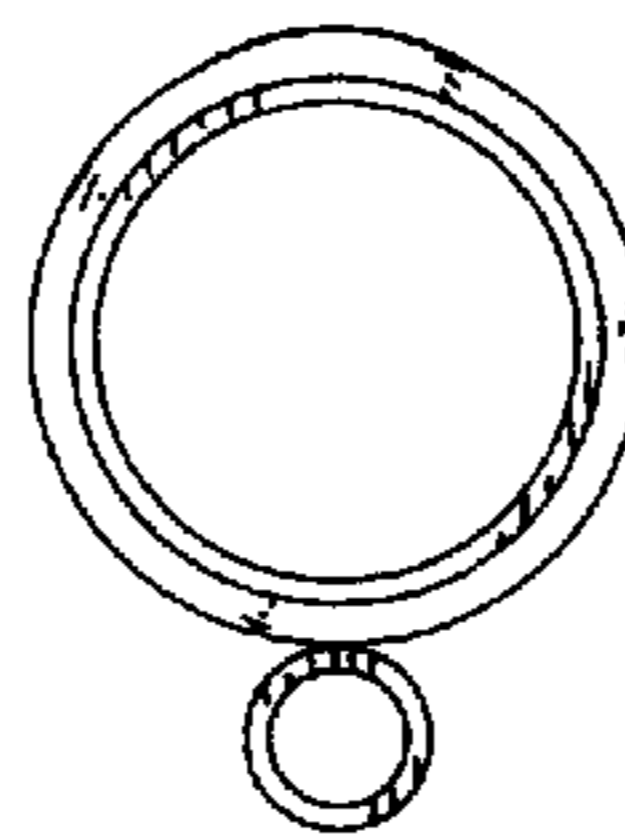


FIG. 5

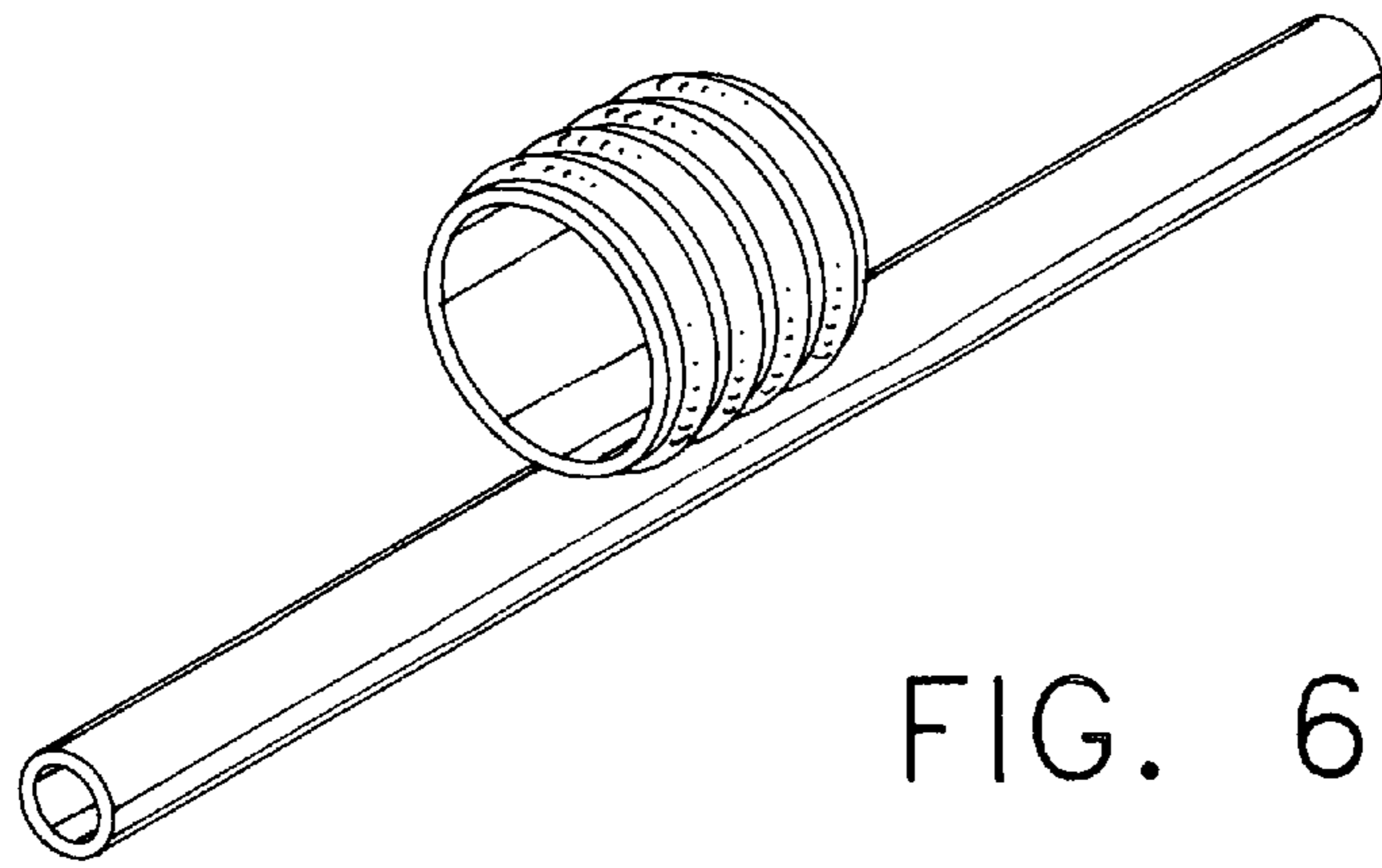


FIG. 6

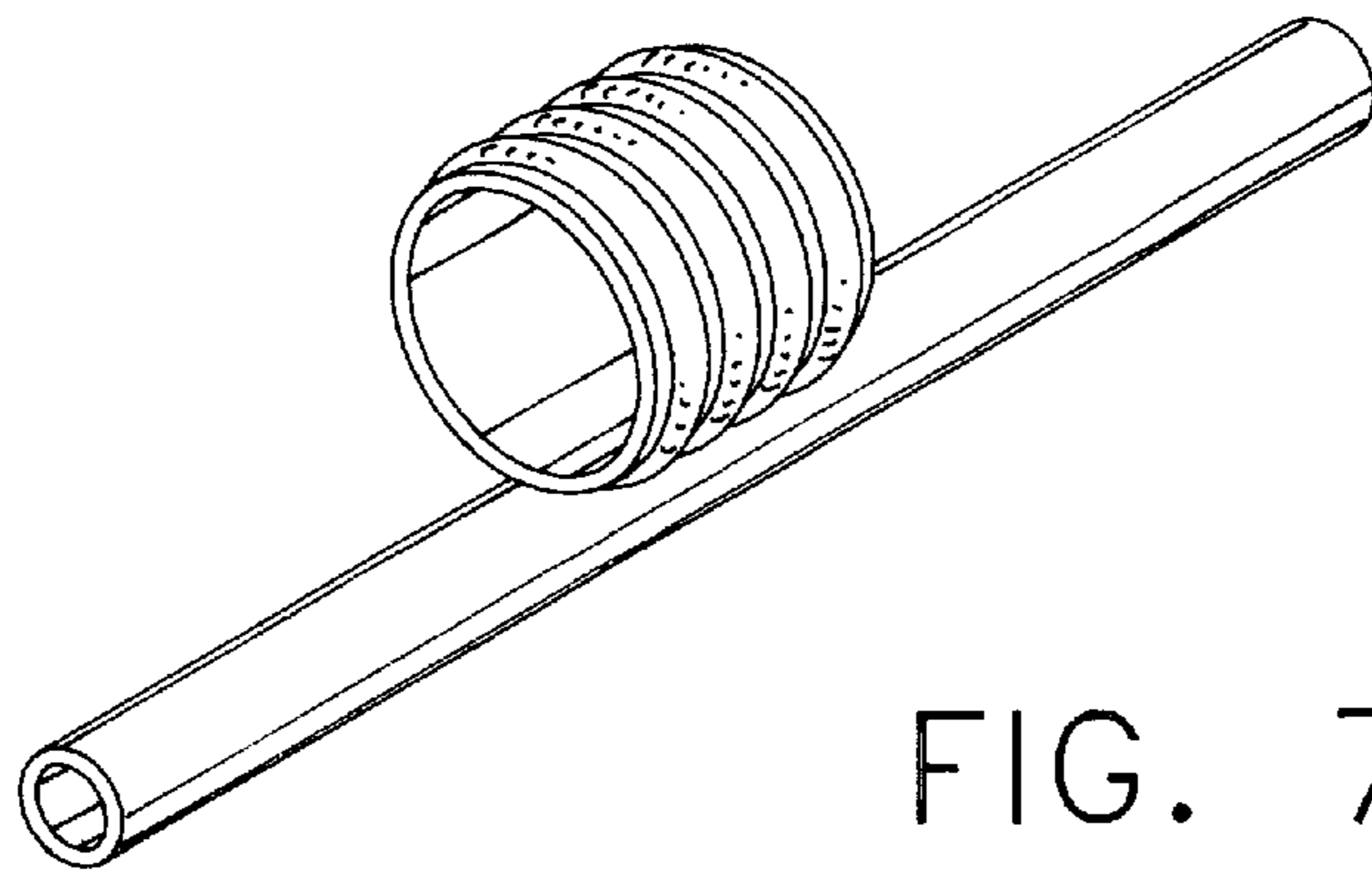


FIG. 7

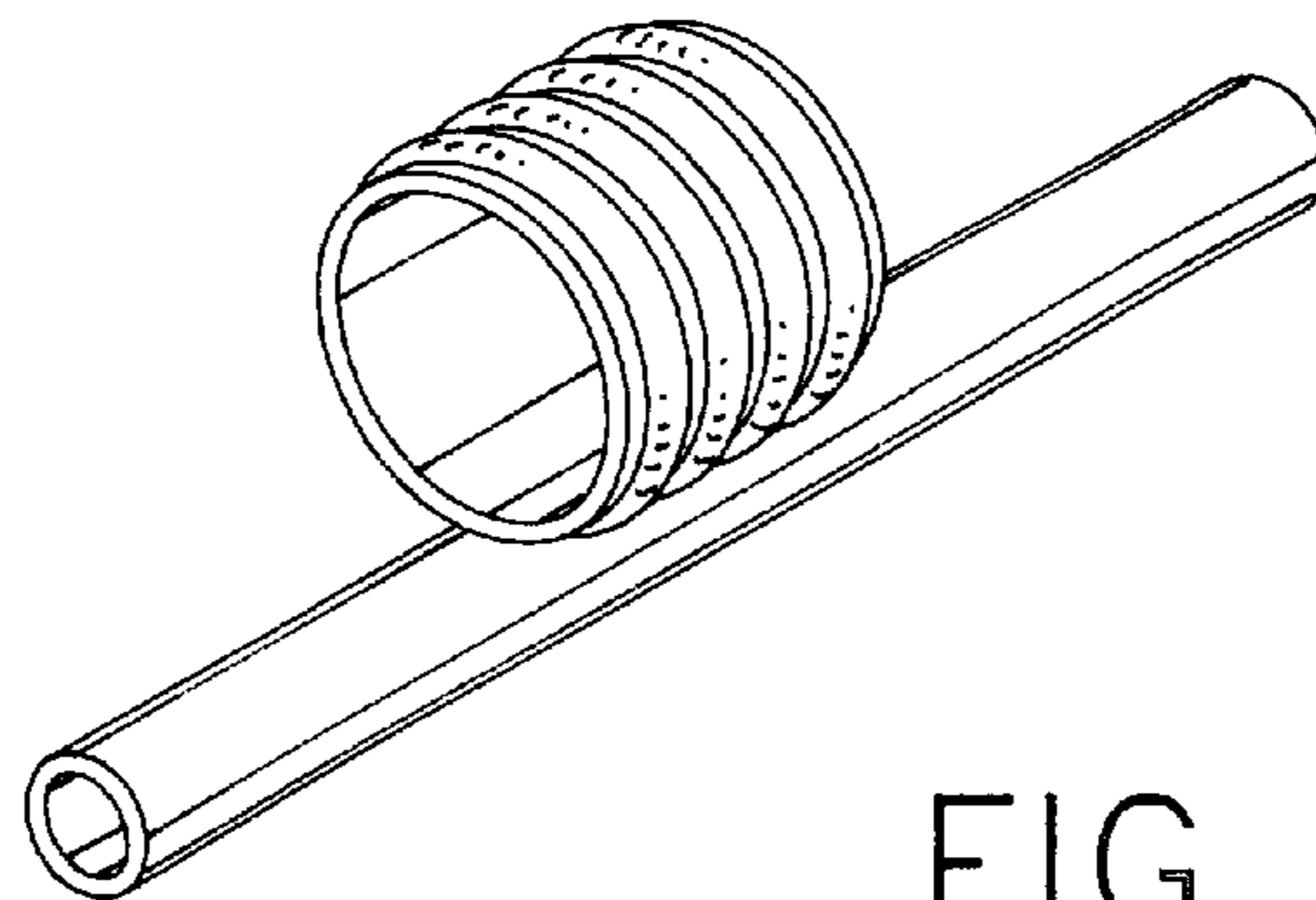


FIG. 8