



US00D423394S

United States Patent [19]
Brisk

[11] **Patent Number: Des. 423,394**

[45] **Date of Patent: ** Apr. 25, 2000**

[54] **BODY JEWELRY ITEM**

[76] Inventor: **Alan C. Brisk**, 105 E. 15th St., New York, N.Y. 10003

[**] Term: **14 Years**

[21] Appl. No.: **29/082,916**

[22] Filed: **Jan. 30, 1998**

[51] **LOC (6) Cl.** **11-01**

[52] **U.S. Cl.** **D11/41**

[58] **Field of Search** D11/40, 41, 79, D11/43, 6, 42, 27, 1, 46, 47, 226; 63/12, 14.1, 20, 900, DIG. 1, 14.9; D22/107, 112, 115; 102/353, 501, 517; 473/569, 584

[56] **References Cited**

U.S. PATENT DOCUMENTS

D. 303,234 9/1989 Smith D11/226
D. 385,327 10/1997 Delmonte D22/115

4,220,016 9/1980 Frenger 63/14.9
5,081,853 1/1992 Salyer 63/14.1
5,114,156 5/1992 Saunders D22/115 X

Primary Examiner—Louis S. Zarfes
Assistant Examiner—Catherine R. Oliver
Attorney, Agent, or Firm—Brinks Hofer Gilson & Lione

[57] **CLAIM**

The ornamental design for a body jewelry item, as shown and described.

DESCRIPTION

FIG. 1 is a perspective view of the body jewelry item showing my new design in use, the broken line showing of environment being for illustrative purposes only and forming no part of the claimed design;

FIG. 2 is a side elevational view, the opposite side elevational view being a mirror image thereof; and,

FIG. 3 is a front elevational view thereof.

1 Claim, 1 Drawing Sheet

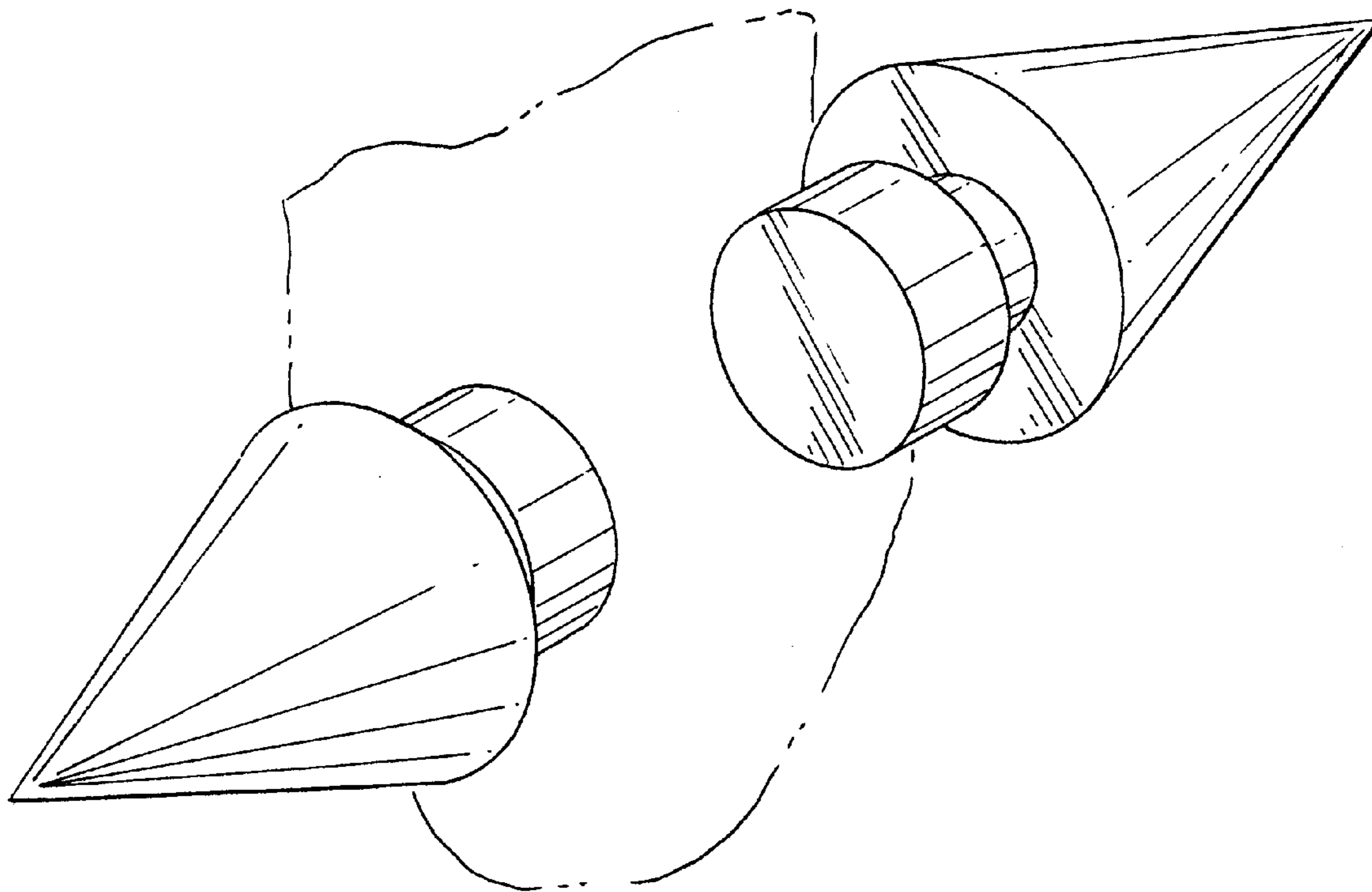


FIG. 1

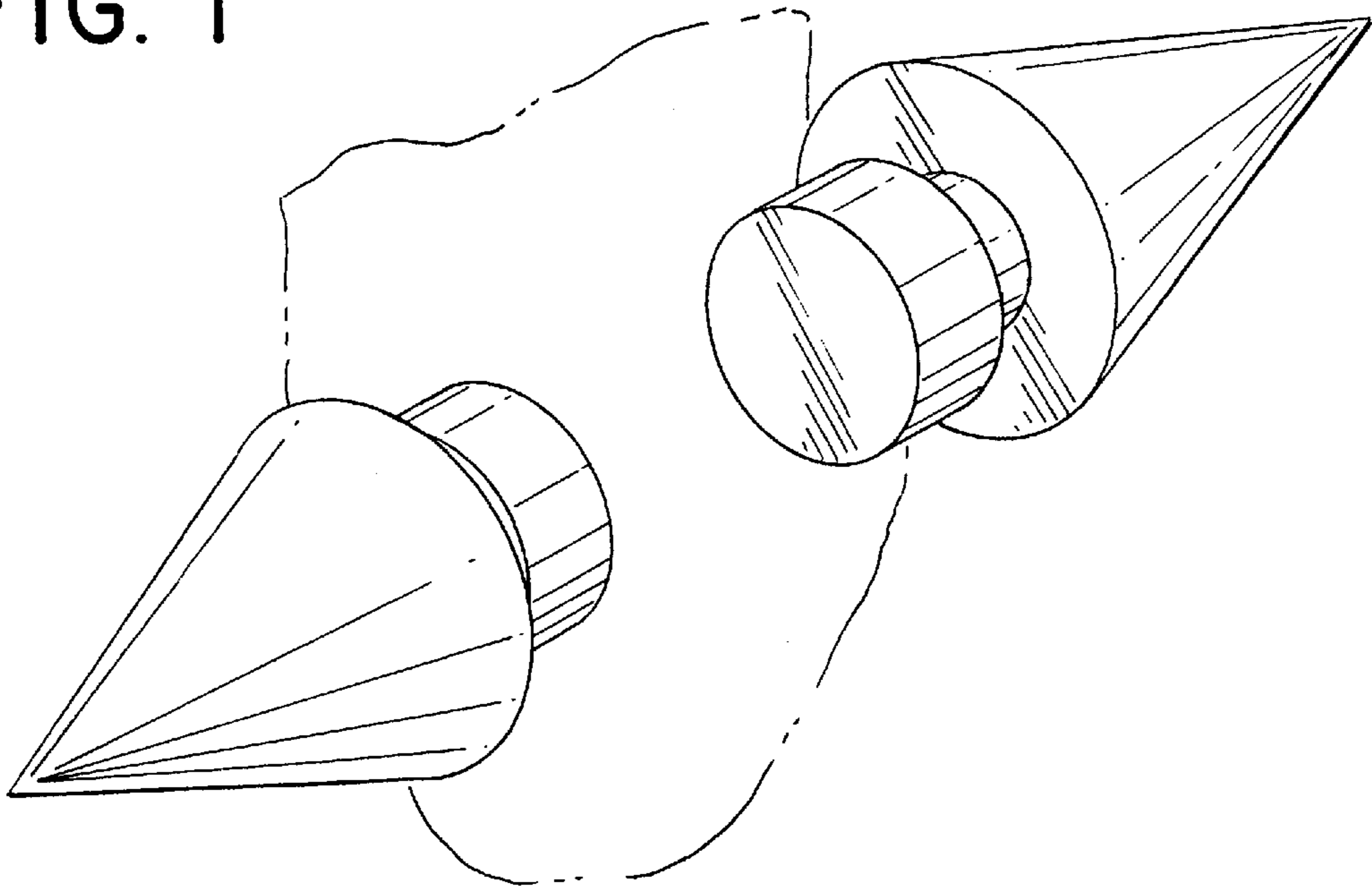


FIG. 2

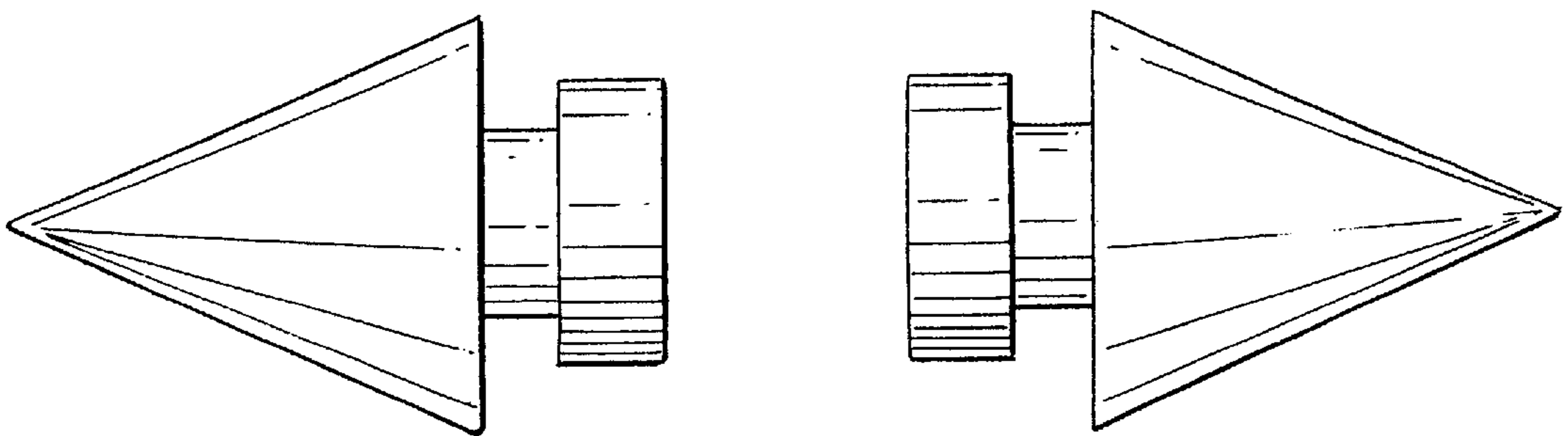


FIG. 3

