



US00D423389S

United States Patent [19]
Boyd

[11] **Patent Number: Des. 423,389**

[45] **Date of Patent: ** Apr. 25, 2000**

[54] **CHILD LOCATION RECEIVER AND TRANSMITTER**

Primary Examiner—Marcus A. Jackson

[76] Inventor: **Linda M Boyd**, 301 Caravan Cir. Apt. #1607, Jacksonville, Fla. 32216

[57] **CLAIM**

The ornamental design for a child location receiver and transmitter, as shown and described.

[**] Term: **14 Years**

DESCRIPTION

[21] Appl. No.: **29/105,515**

FIG. 1 is a top, front, right side perspective view of the child location receiver and transmitter of the present invention; FIG. 2 is a top, rear, right side perspective view of the child location receiver and transmitter of FIG. 1;

[22] Filed: **May 27, 1999**

[51] **LOC (6) Cl.** **10-05**

FIG. 3 is a left side elevational view of the child location receiver and transmitter of FIG. 1;

[52] **U.S. Cl.** **D10/104**

[58] **Field of Search** D10/104, 106, D10/116, 121; 340/546, 571, 572, 573, 586; D2/624, 627, 628, 629

FIG. 4 is a right side elevational view of the child location receiver and transmitter of FIG. 1;

FIG. 5 is a top plan view of the child location receiver and transmitter of FIG. 1;

[56] **References Cited**

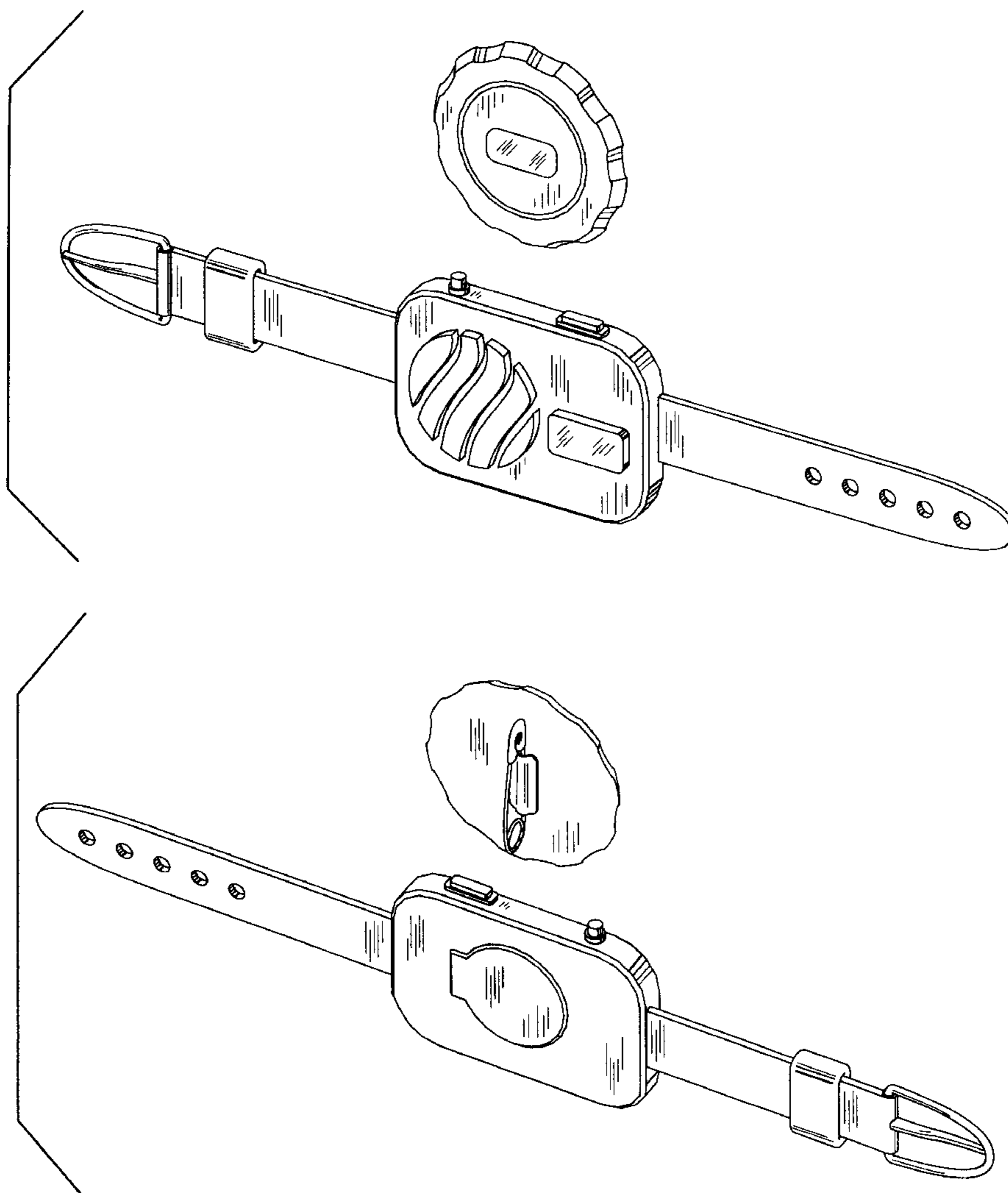
U.S. PATENT DOCUMENTS

D. 388,720	1/1998	Montgomery	D10/104
D. 390,487	2/1998	Thun	D10/104
D. 391,508	3/1998	Lucas	D10/104
D. 406,073	2/1999	Clemons	D10/104

FIG. 6 is a bottom plan view of the child location receiver and transmitter of FIG. 1; and,

FIG. 7 is a top, front, right side perspective view of the child location receiver and transmitter of FIG. 1.

1 Claim, 2 Drawing Sheets



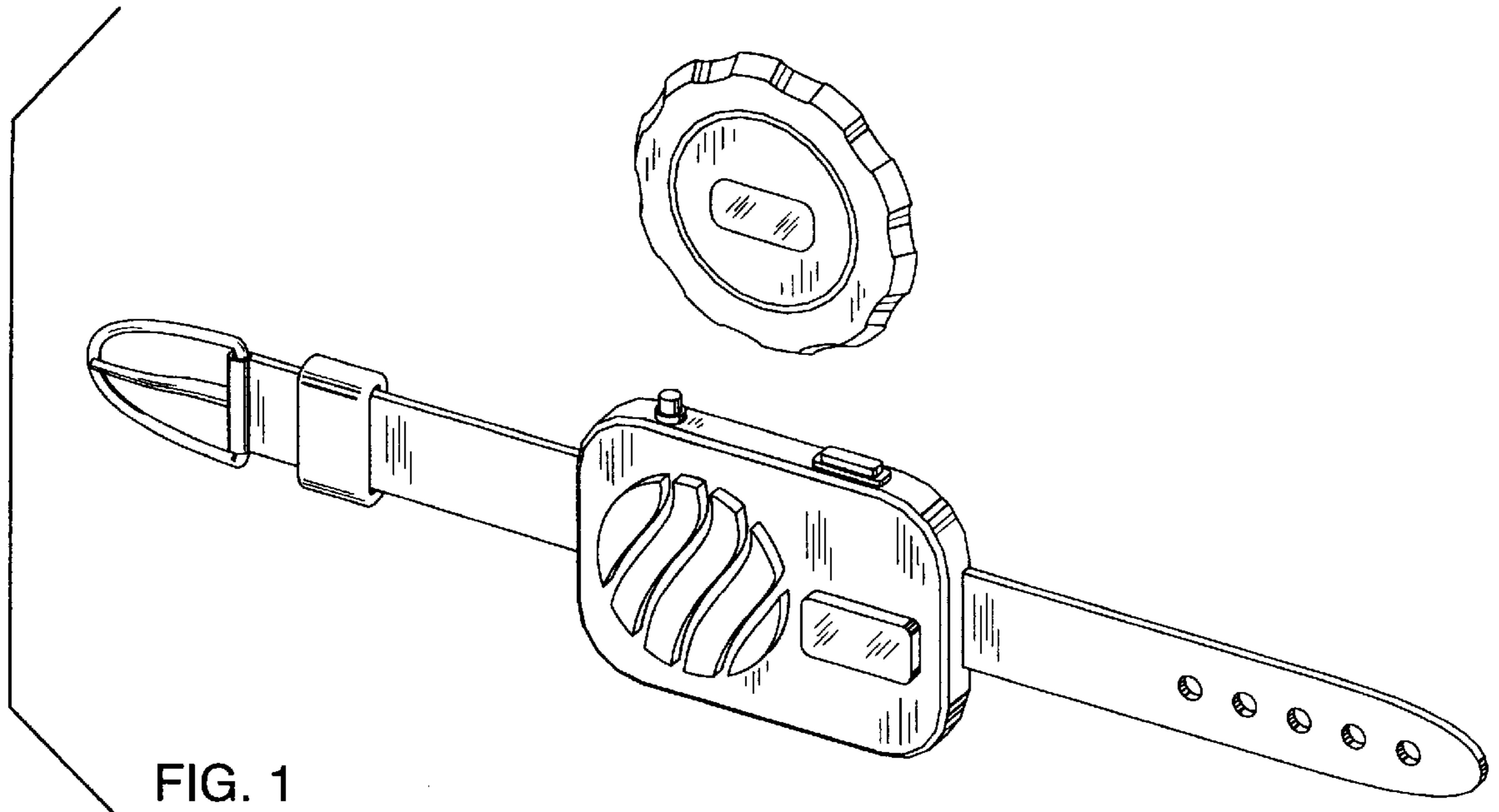


FIG. 1

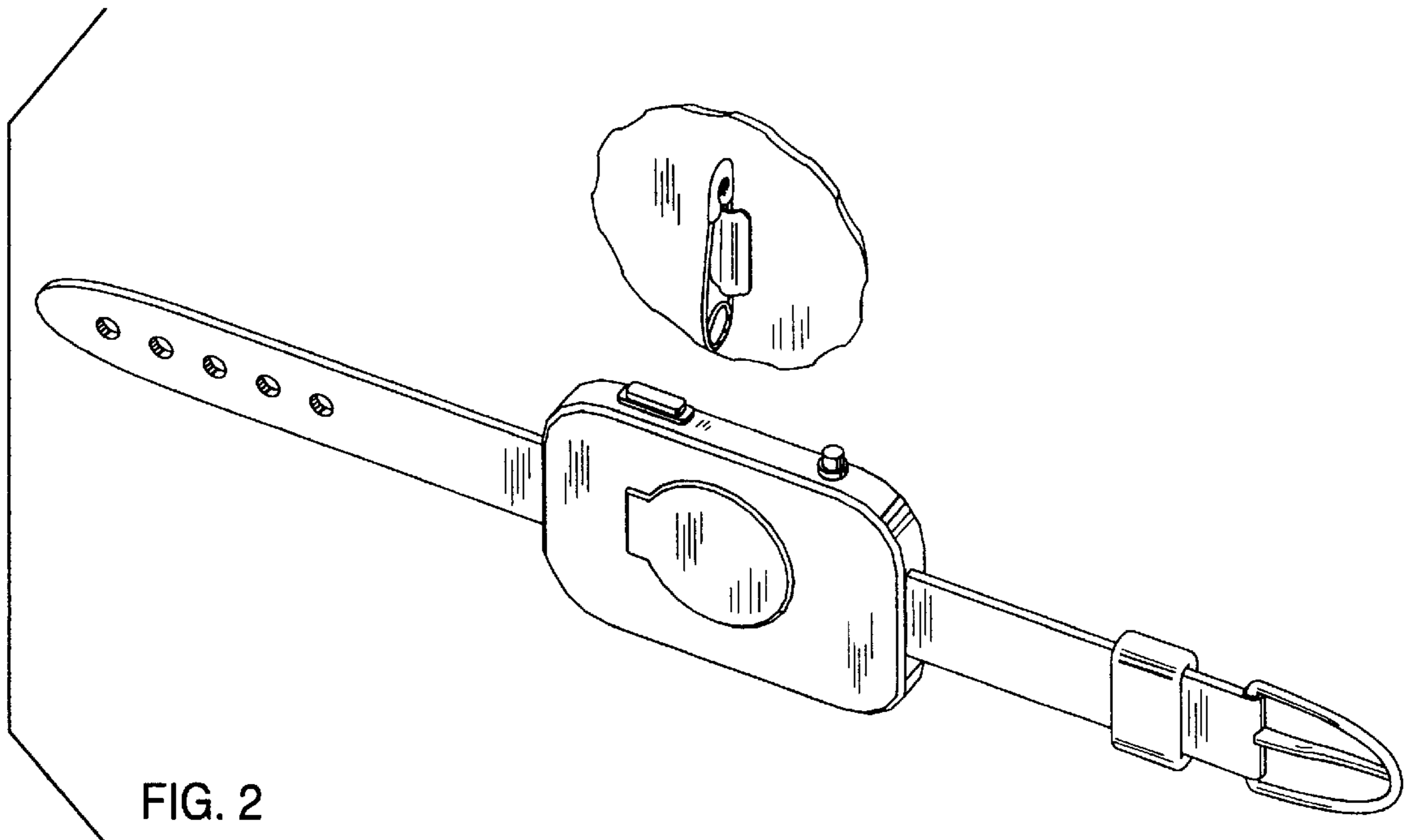


FIG. 2

