



US00D423384S

# United States Patent [19] Beha

[11] **Patent Number: Des. 423,384**

[45] **Date of Patent: \*\* Apr. 25, 2000**

[54] **MEASURING INSTRUMENT**

[75] Inventor: **Christian Beha**, Glottertal, Germany

[73] Assignee: **Ch. Beha GmbH Technische Neuentwicklungen**, Glottertal, Germany

[\*\*] Term: **14 Years**

[21] Appl. No.: **29/105,873**

[22] Filed: **Jun. 4, 1999**

[51] **LOC (6) Cl. .... 10-04**

[52] **U.S. Cl. .... D10/78**

[58] **Field of Search** ..... D10/78; 324/72.5, 324/110, 114, 115, 149, 151 A, 151 R, 156, 158 F; 340/653, 660; 439/482

[56] **References Cited**

**U.S. PATENT DOCUMENTS**

- D. 369,306 4/1996 Fisher ..... D10/78
- D. 414,125 9/1999 Chen ..... D10/78

*Primary Examiner*—Antoine Duval Davis  
*Attorney, Agent, or Firm*—Nath & Associates; Gary M. Nath; Gregory B. Kang

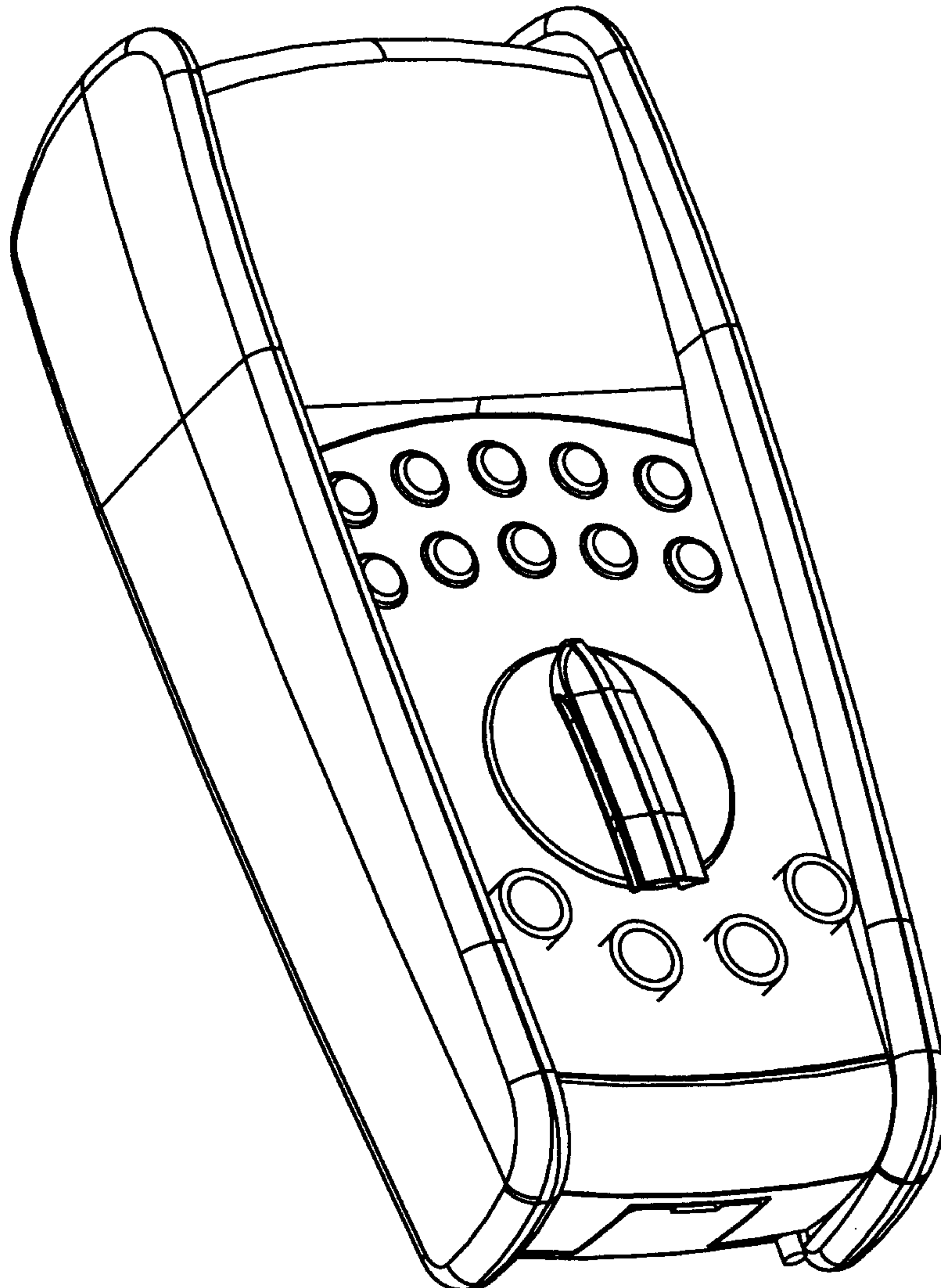
[57] **CLAIM**

The ornamental design for a measuring instrument, as shown.

**DESCRIPTION**

FIG. 1 is an oblique perspective view of the top, left and rear of the measuring instrument;  
FIG. 2 is a top plan view of the measuring instrument;  
FIG. 3 is a bottom plan view of the measuring instrument;  
FIG. 4 is a left side elevational view of the measuring instrument;  
FIG. 5 is a right side elevational view of the measuring instrument;  
FIG. 6 is a rear elevational view of the measuring instrument; and,  
FIG. 7 is a front elevational view of the measuring instrument.

**1 Claim, 5 Drawing Sheets**



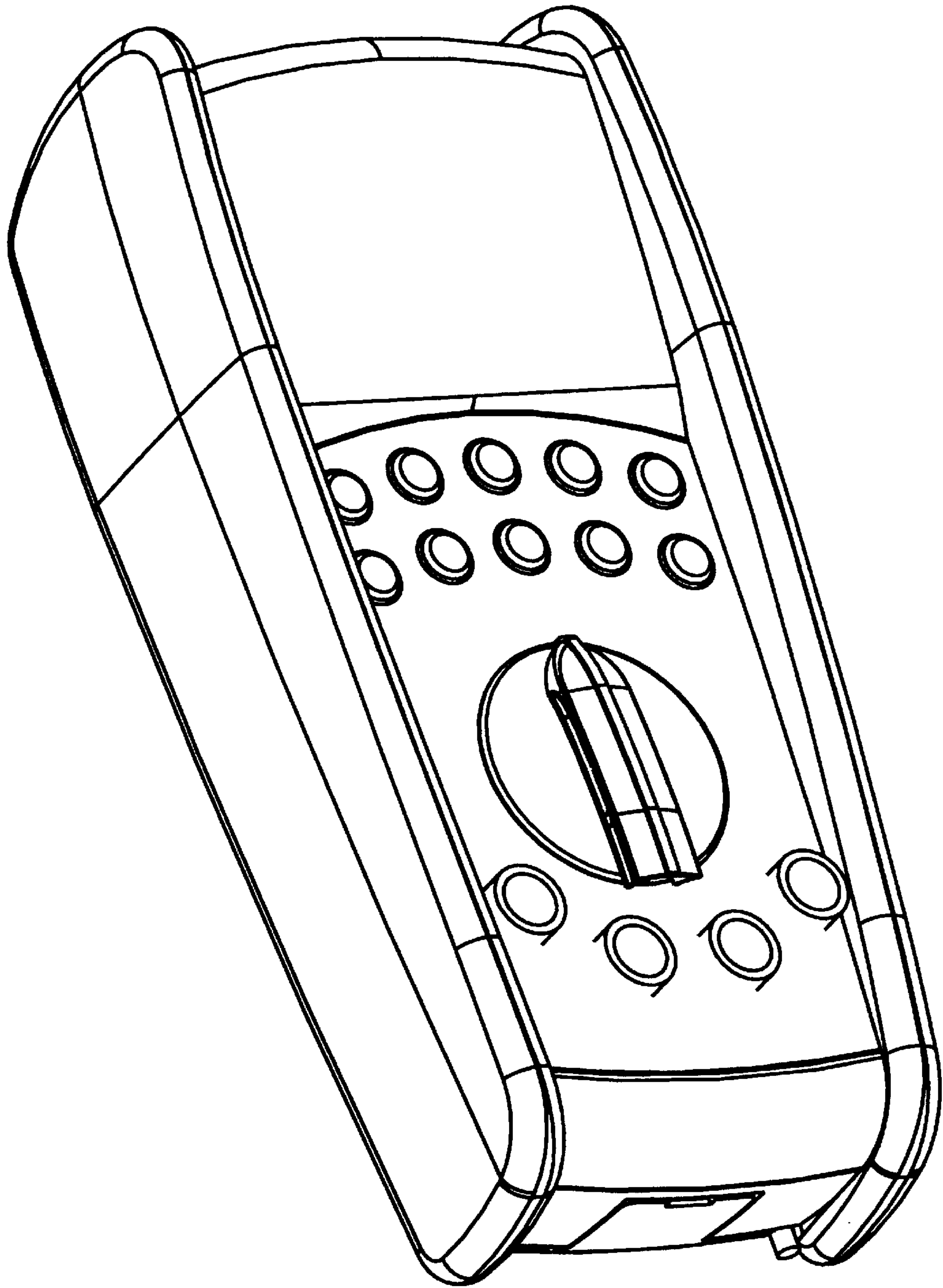


FIG. 1

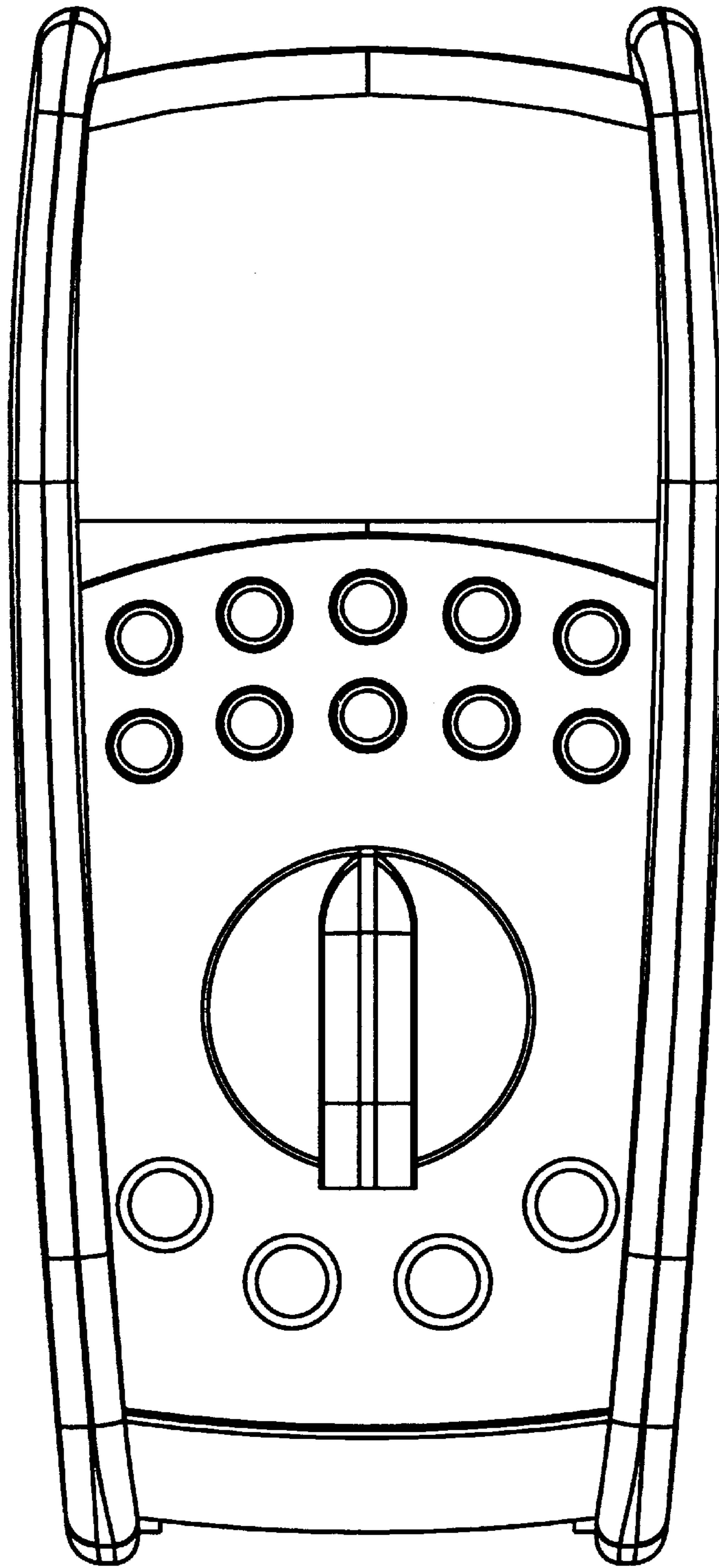


FIG. 2

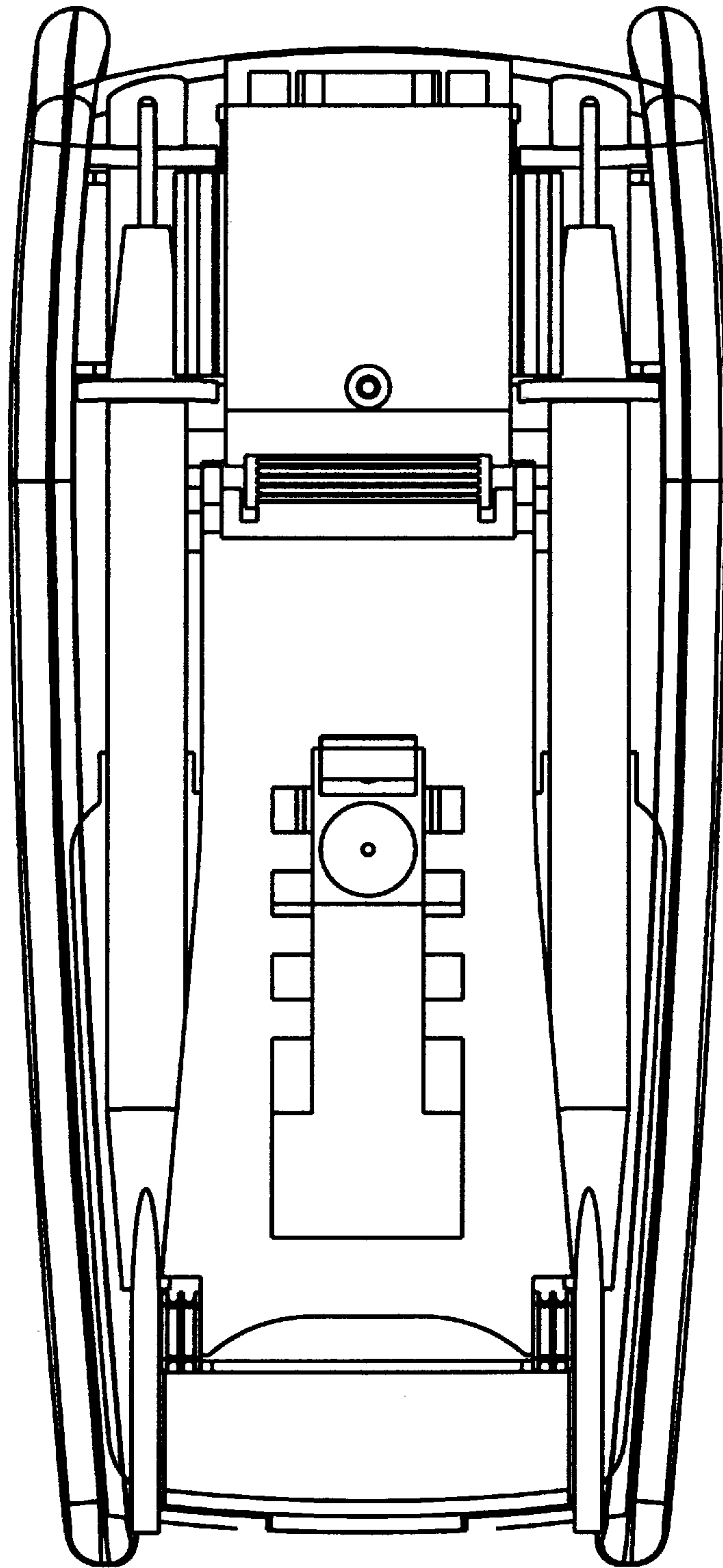


FIG. 3

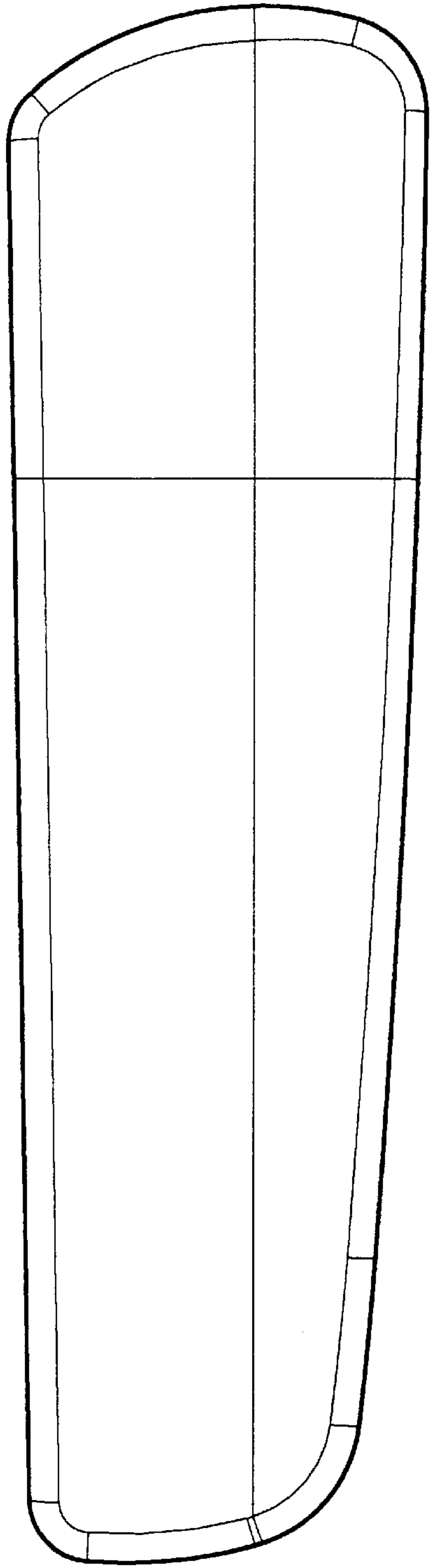


FIG. 4

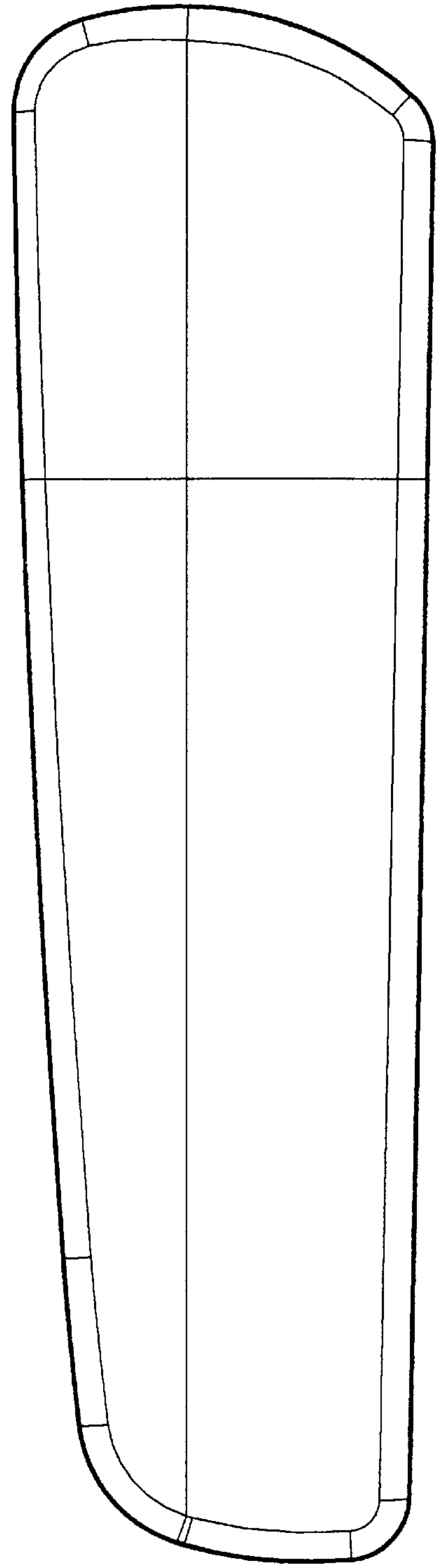


FIG. 5

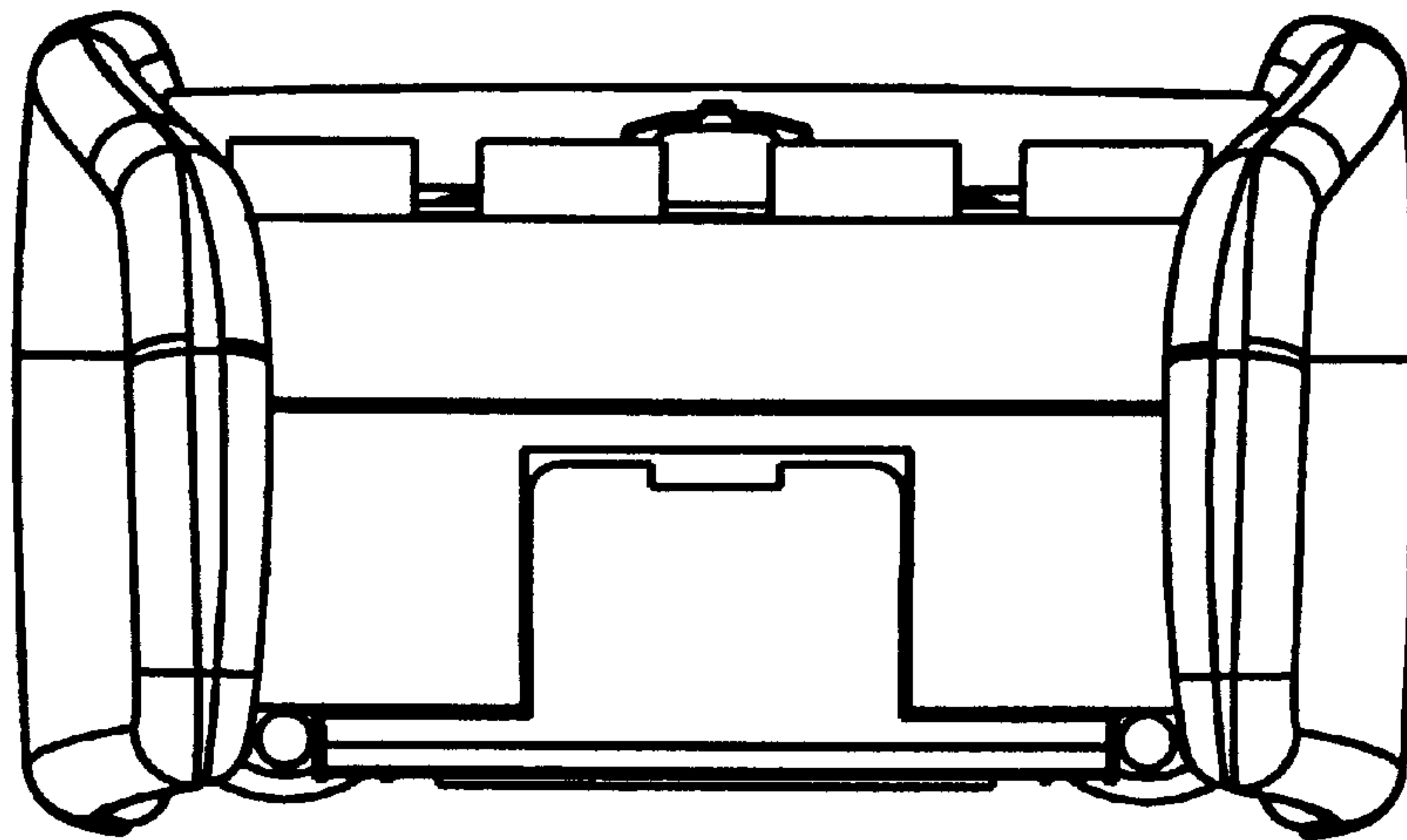


FIG. 6

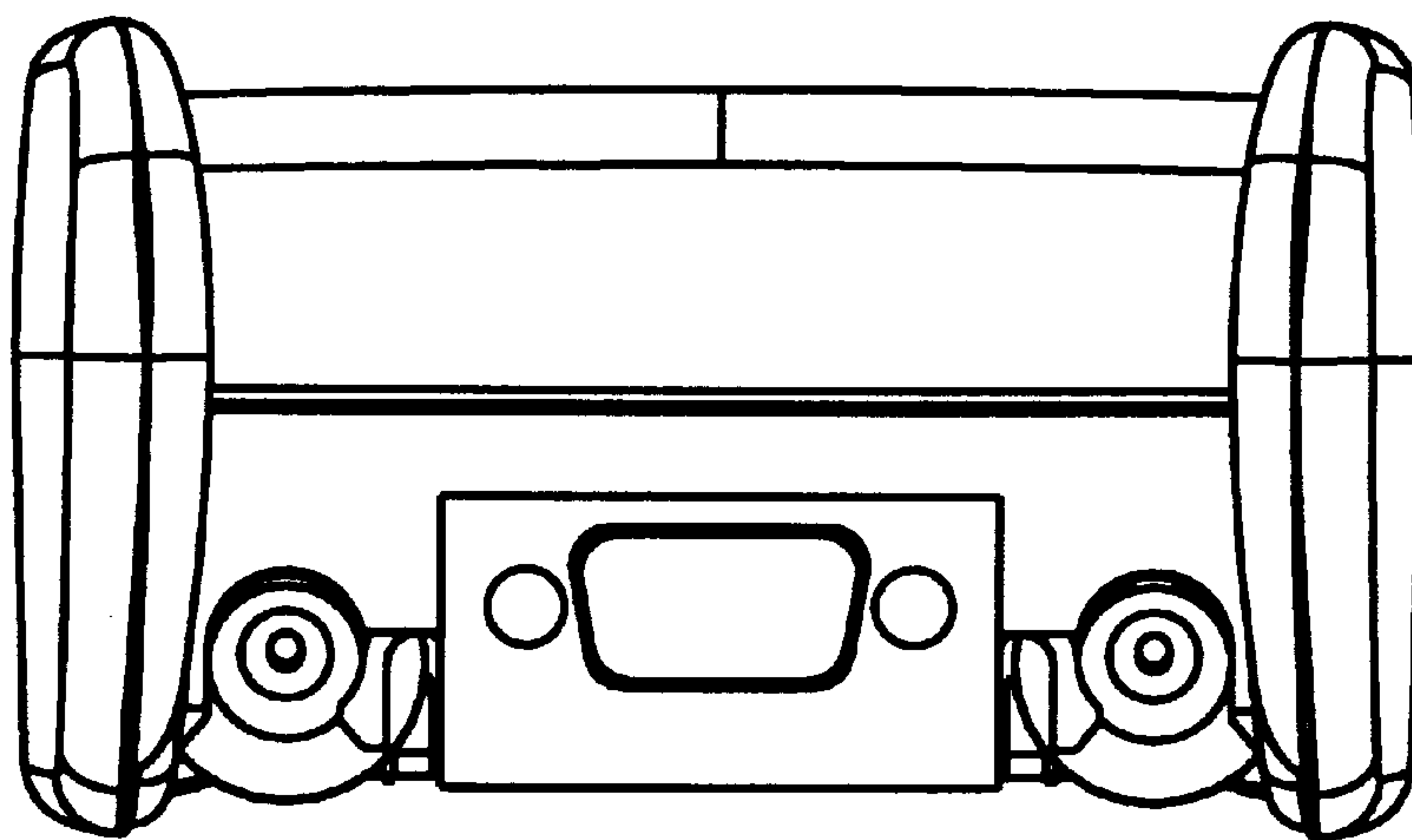


FIG. 7