



US00D423382S

United States Patent [19]
Piotrkowski

[11] **Patent Number: Des. 423,382**

[45] **Date of Patent: ** Apr. 25, 2000**

[54] **MEASURING TAPE TIP**

[76] Inventor: **Kenneth J. Piotrkowski**, P.O. Box 597,
Isle of Palm, S.C. 29451

[**] Term: **14 Years**

[21] Appl. No.: **29/104,711**

[22] Filed: **May 11, 1999**

[51] **LOC (6) Cl. 10-04**

[52] **U.S. Cl. D10/74**

[58] **Field of Search D10/74; 33/755-770**

[56] **References Cited**

U.S. PATENT DOCUMENTS

D. 409,104	5/1999	Yang	D10/74
4,930,227	6/1990	Ketchpel	33/755
5,699,623	12/1997	Lee	33/758

Primary Examiner—Antoine Duval Davis
Attorney, Agent, or Firm—W. Alex Dallis, Jr.

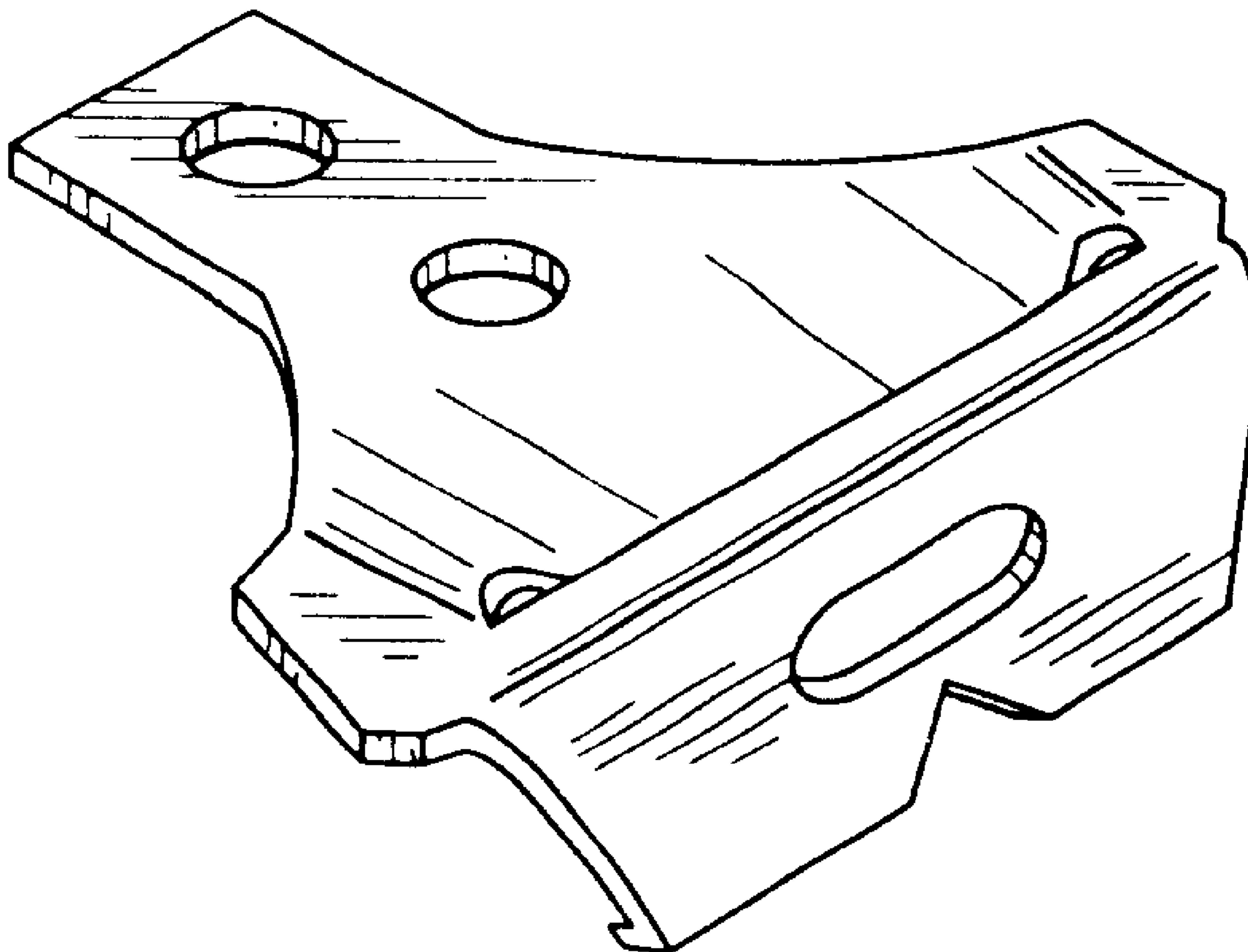
[57] **CLAIM**

I claim the ornamental design for a measuring tape tip, as shown and described.

DESCRIPTION

FIG. 1 is a perspective view of a measuring tape tip showing my new design;
FIG. 2 is a bottom plan view thereof;
FIG. 3 is a top plan view thereof;
FIG. 4 is a front elevation view thereof;
FIG. 5 is a rear elevation view thereof; and,
FIG. 6 is a left elevational view thereof, the right side elevational being a mirror image.

1 Claim, 1 Drawing Sheet



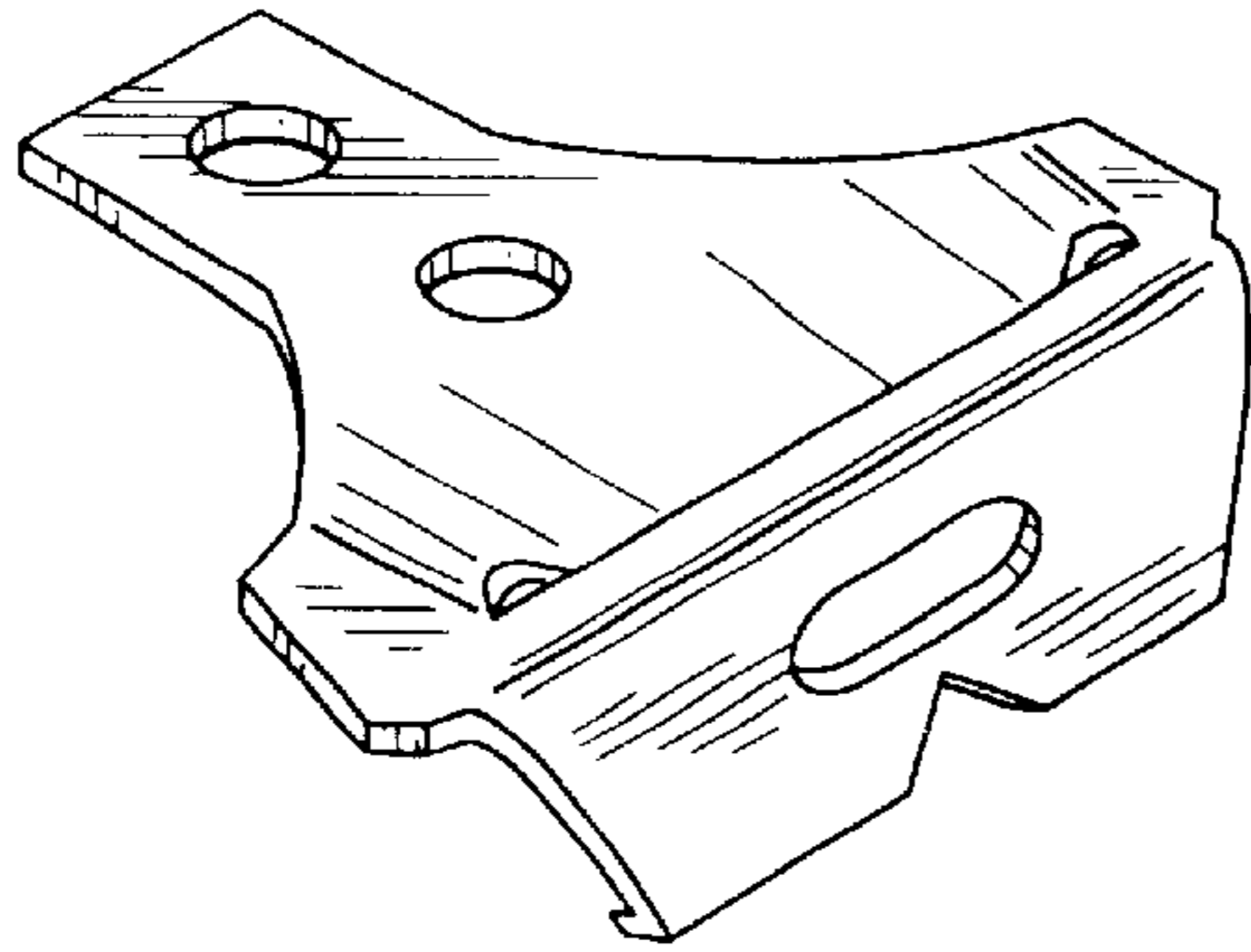


FIG. 1

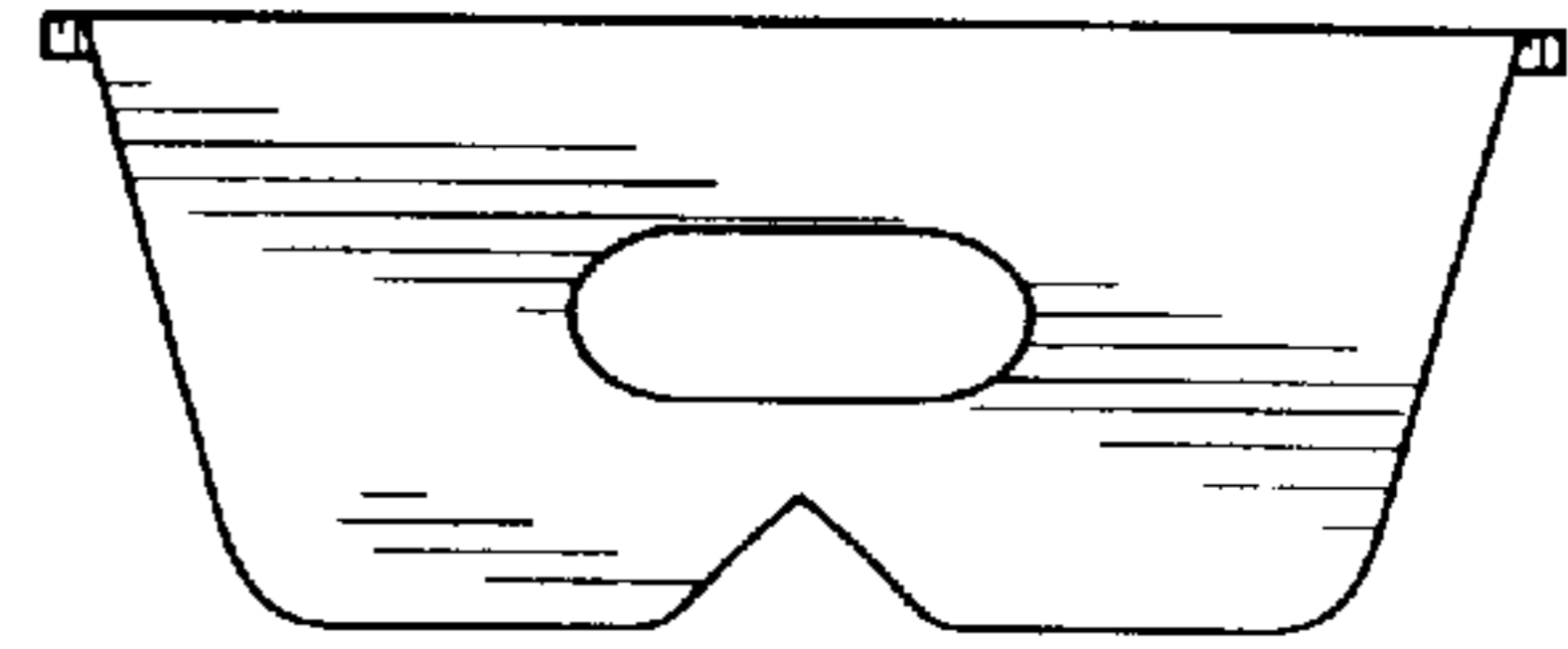


FIG. 4

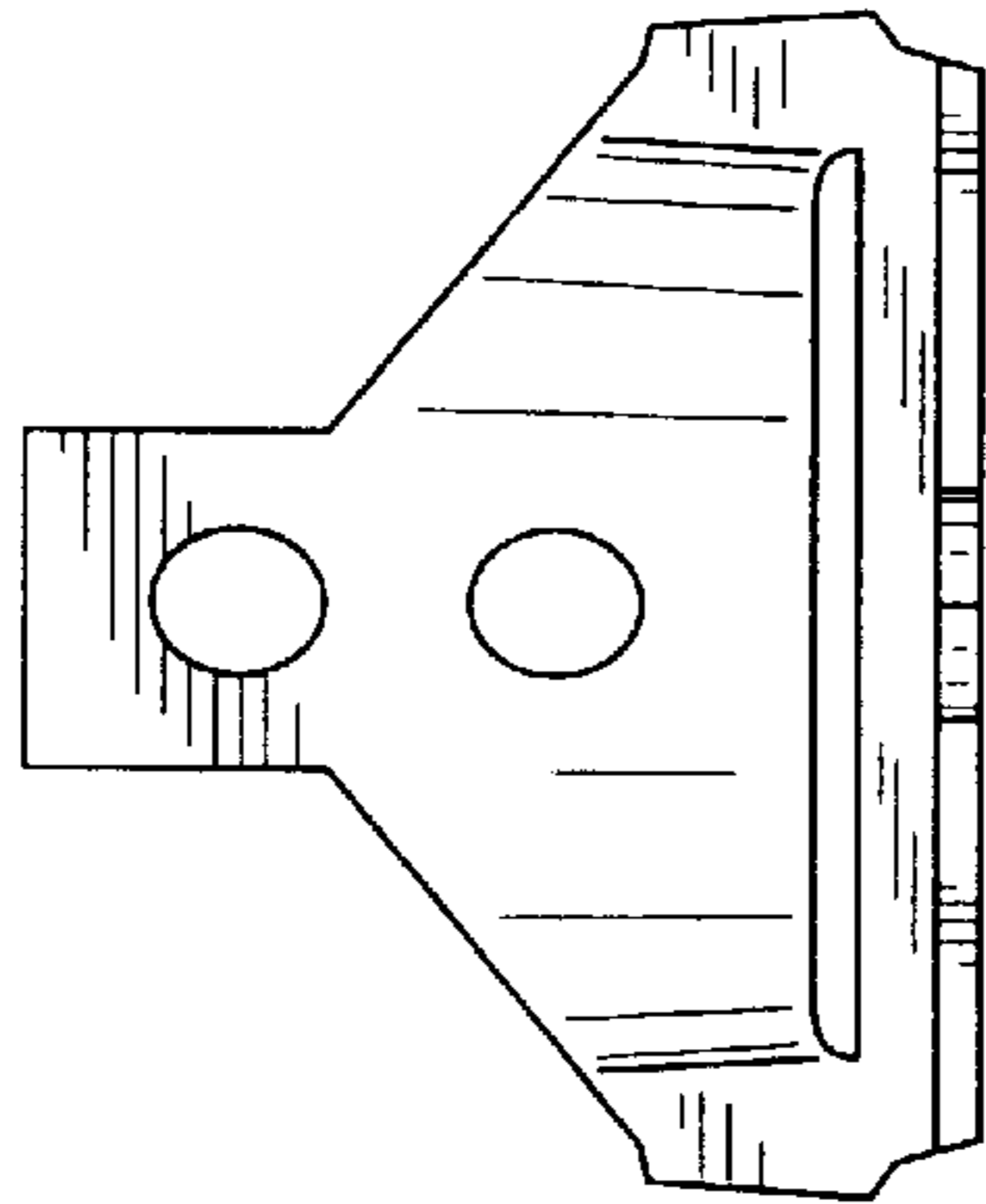


FIG. 2

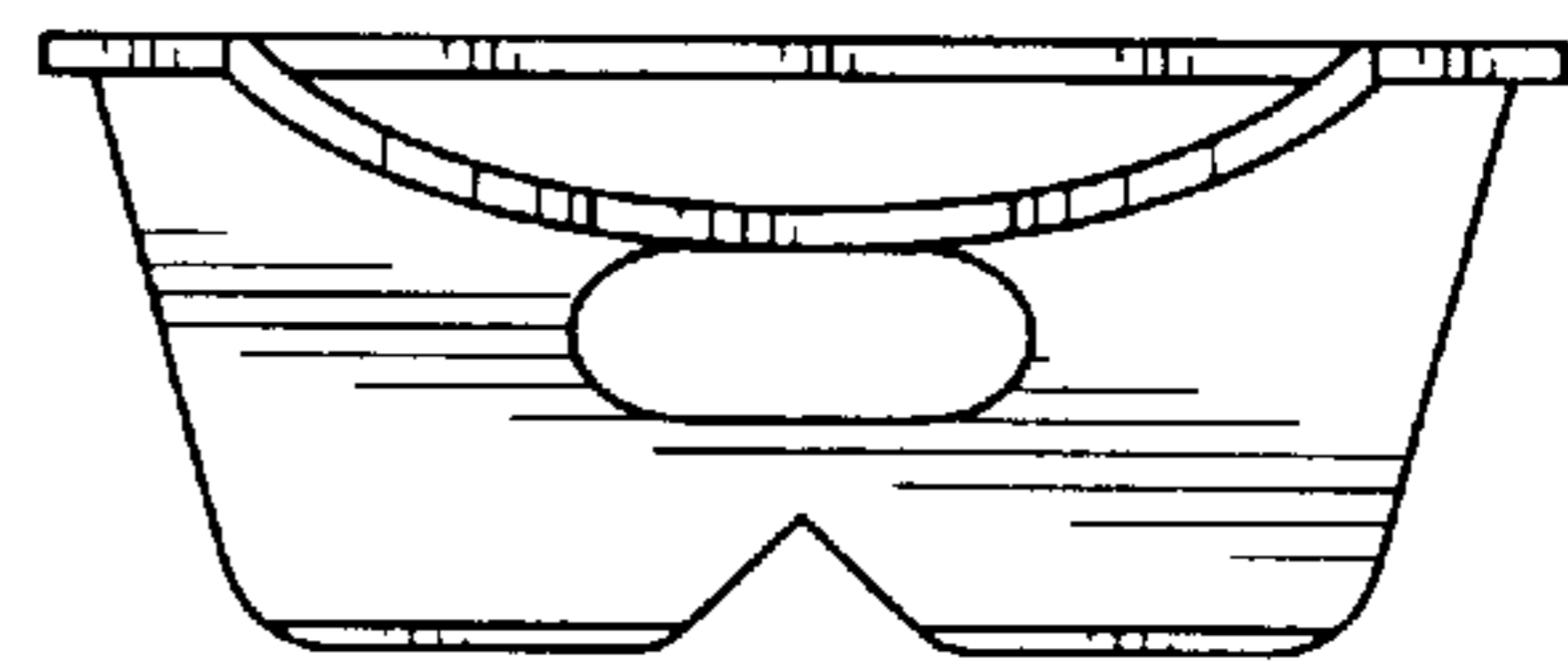


FIG. 5

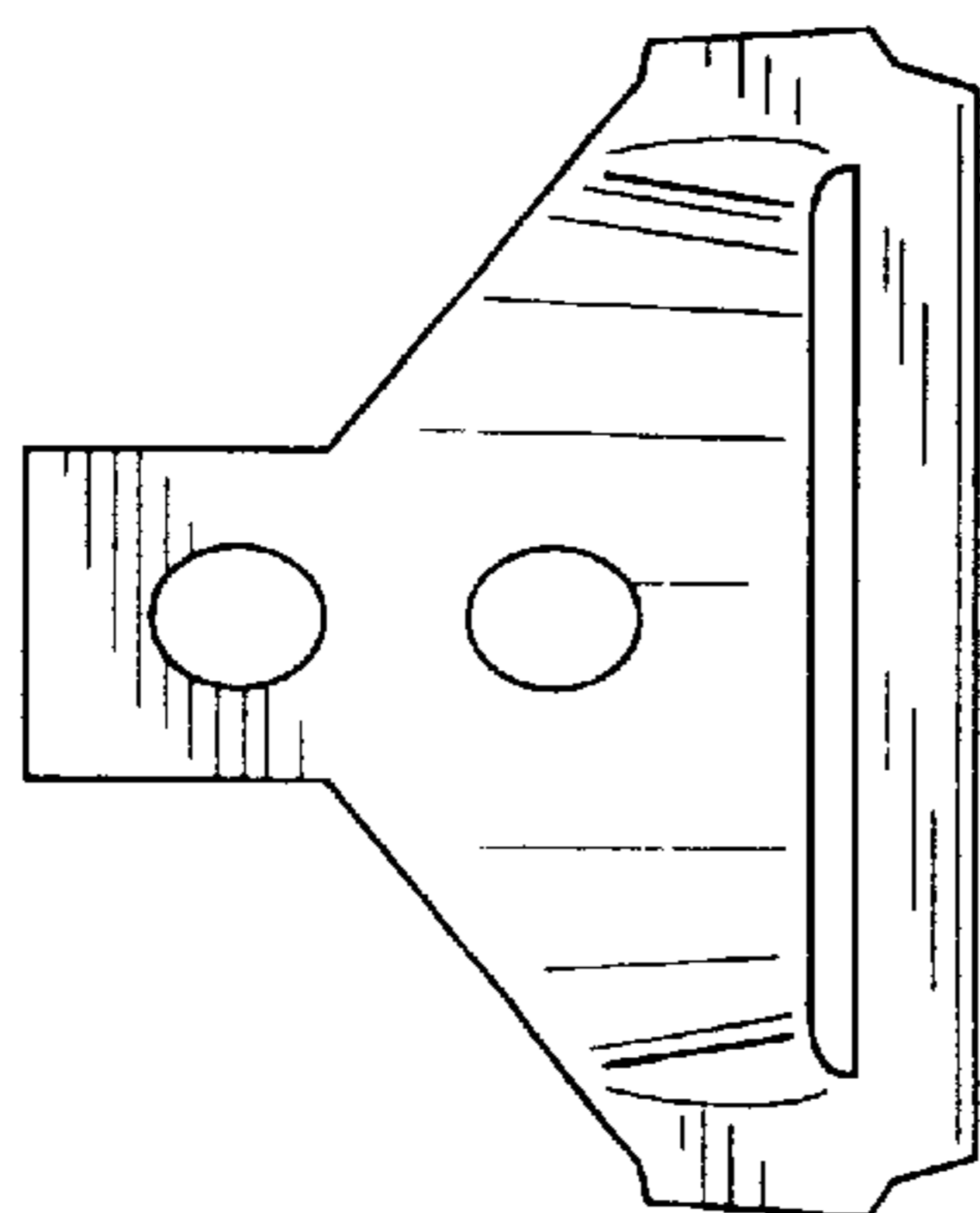


FIG. 3

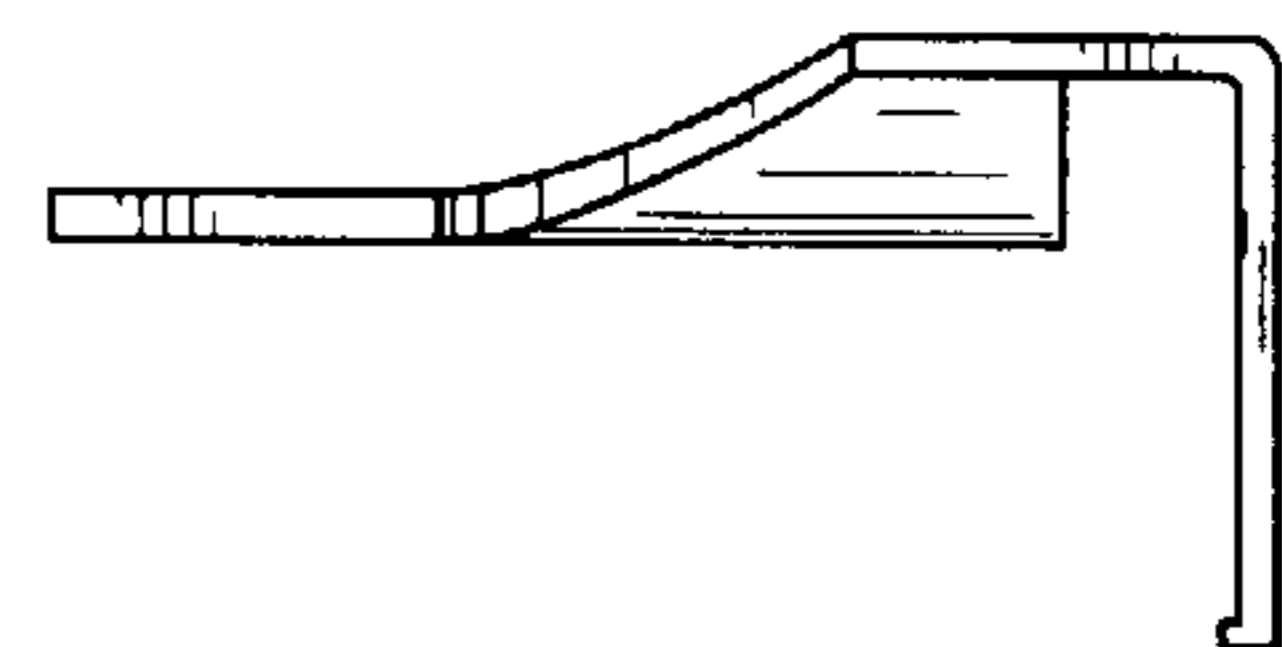


FIG. 6