



US00D423381S

United States Patent [19] Tam

[11] **Patent Number: Des. 423,381**

[45] **Date of Patent: ** Apr. 25, 2000**

[54] **TAPE MEASURE**

5,873,174 2/1999 Kraft 33/755

[75] Inventor: **Sai Ying Tam**, Kowloon, The Hong Kong Special Administrative Region of the People's Republic of China

Primary Examiner—Antoine Duval Davis
Attorney, Agent, or Firm—Smith, Gambrell & Russell, LLP

[73] Assignee: **BHS International, Inc.**, Crofton, Md.

[57] **CLAIM**

[**] Term: **14 Years**

The ornamental design for a tape measure, as shown and described.

[21] Appl. No.: **29/109,931**

DESCRIPTION

[22] Filed: **Aug. 26, 1999**

FIG. 1 is a perspective view of a tape measure showing my new design;

[51] **LOC (6) Cl.** **10-04**

FIG. 2 is an in use perspective view thereof;

[52] **U.S. Cl.** **D10/72**

FIG. 3 is a front view thereof;

[58] **Field of Search** D10/72; 33/755-770

FIG. 4 is a left side view thereof;

FIG. 5 is a top view thereof;

FIG. 6 is a rear view thereof;

FIG. 7 is a right side view thereof; and,

FIG. 8 is a bottom view thereof.

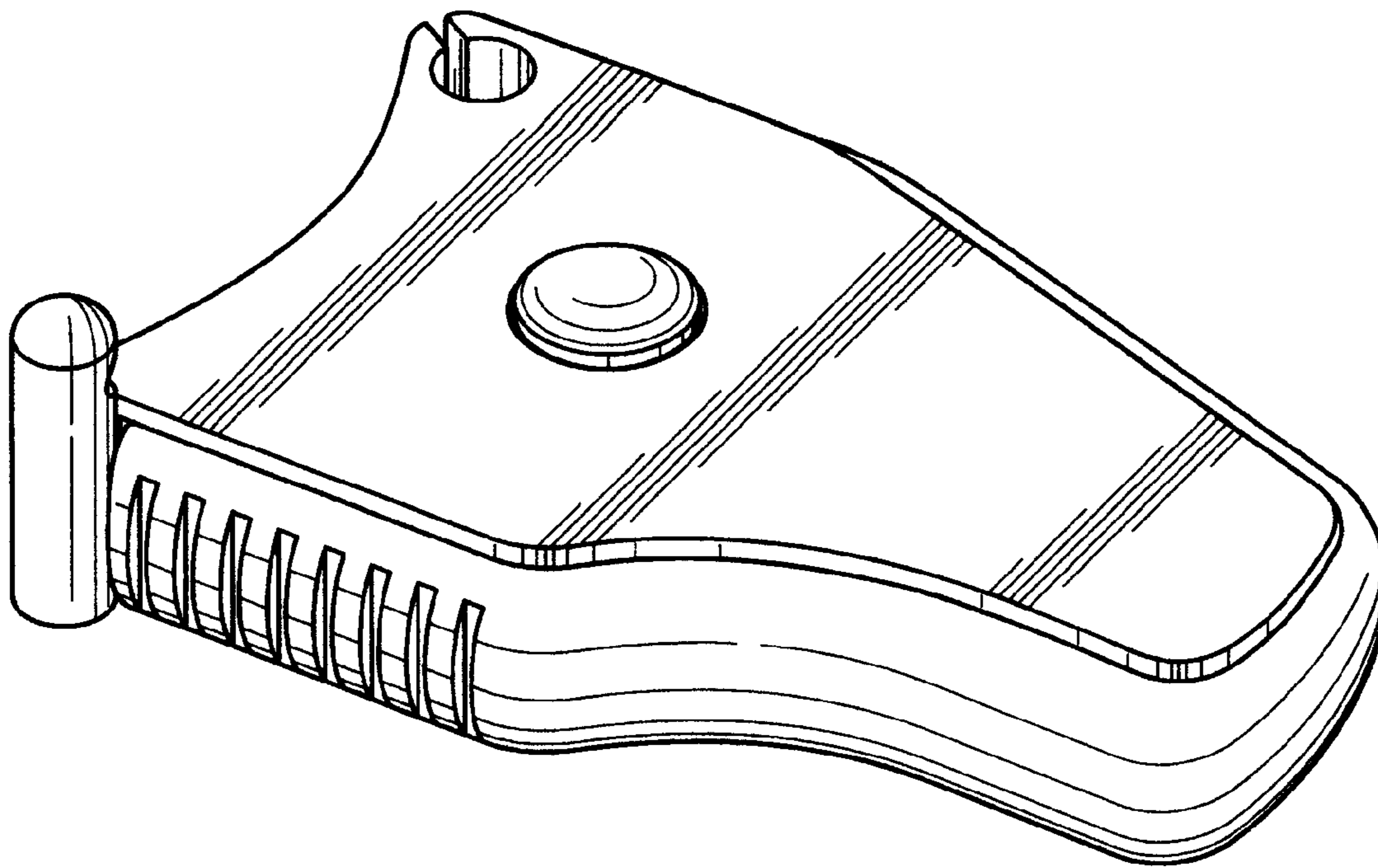
[56] **References Cited**

U.S. PATENT DOCUMENTS

D. 348,691 7/1994 Bell et al. D10/72

D. 400,585 11/1998 Fritz et al. D10/72

1 Claim, 3 Drawing Sheets



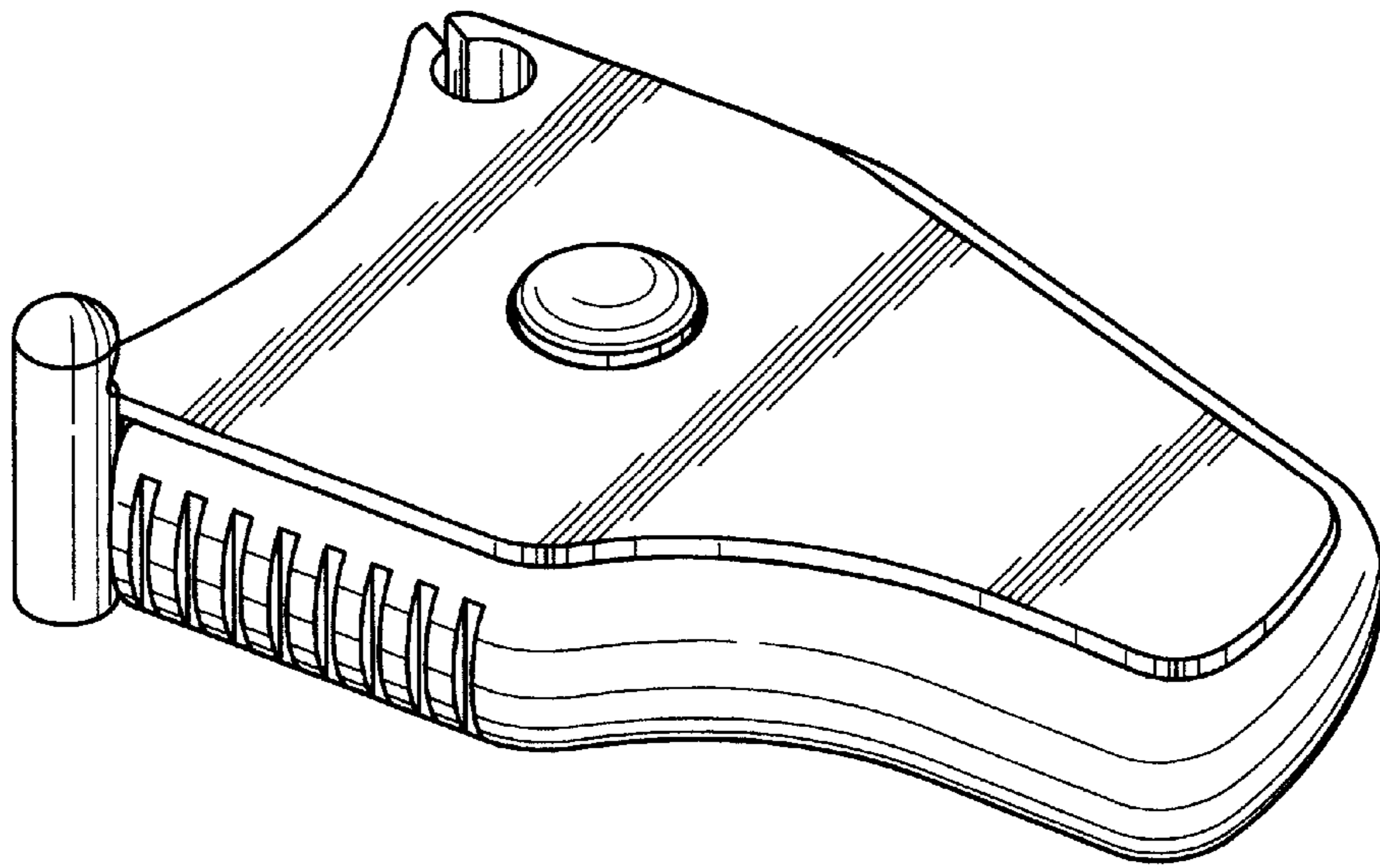


FIG. 1

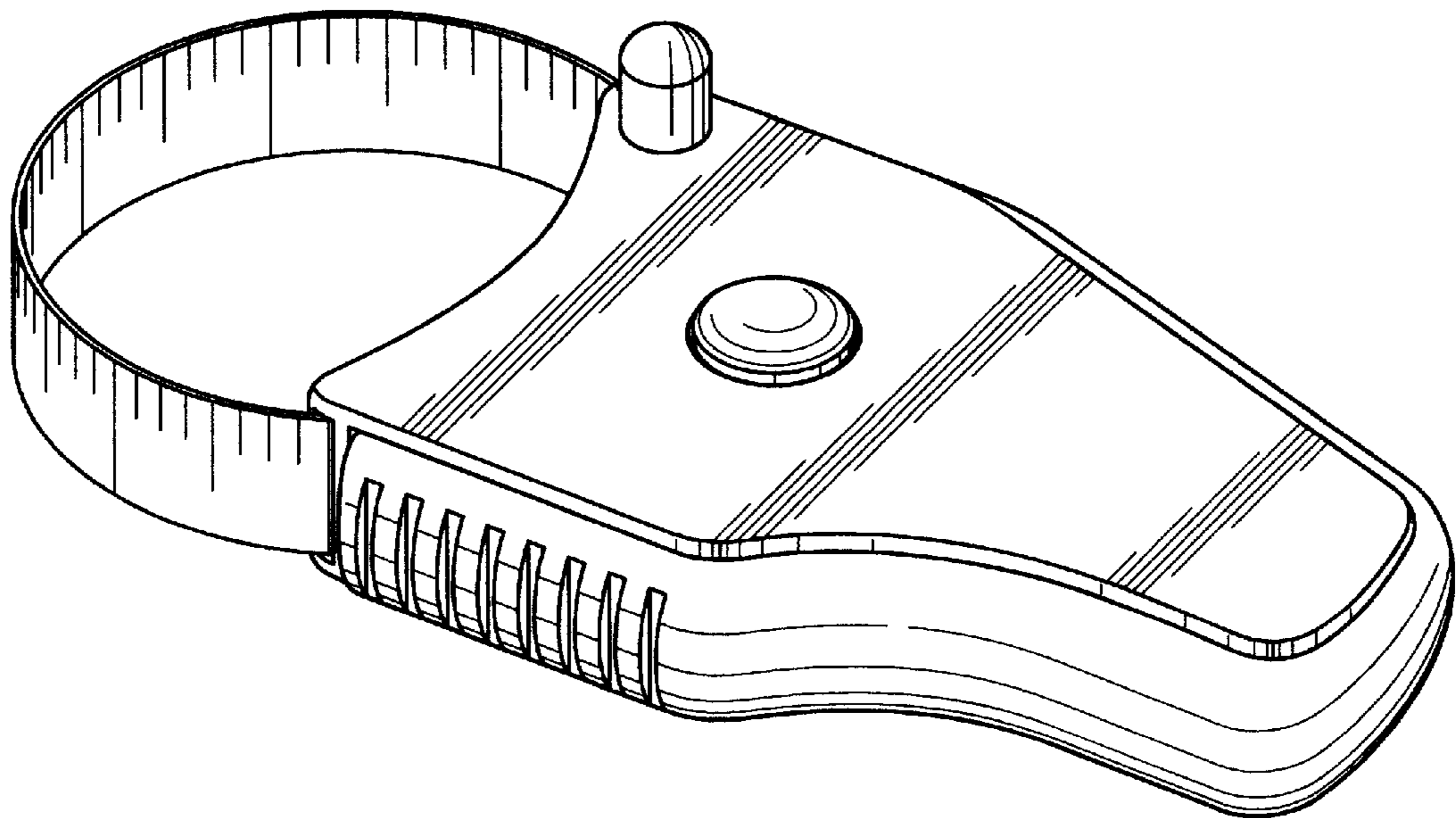


FIG. 2

FIG. 5

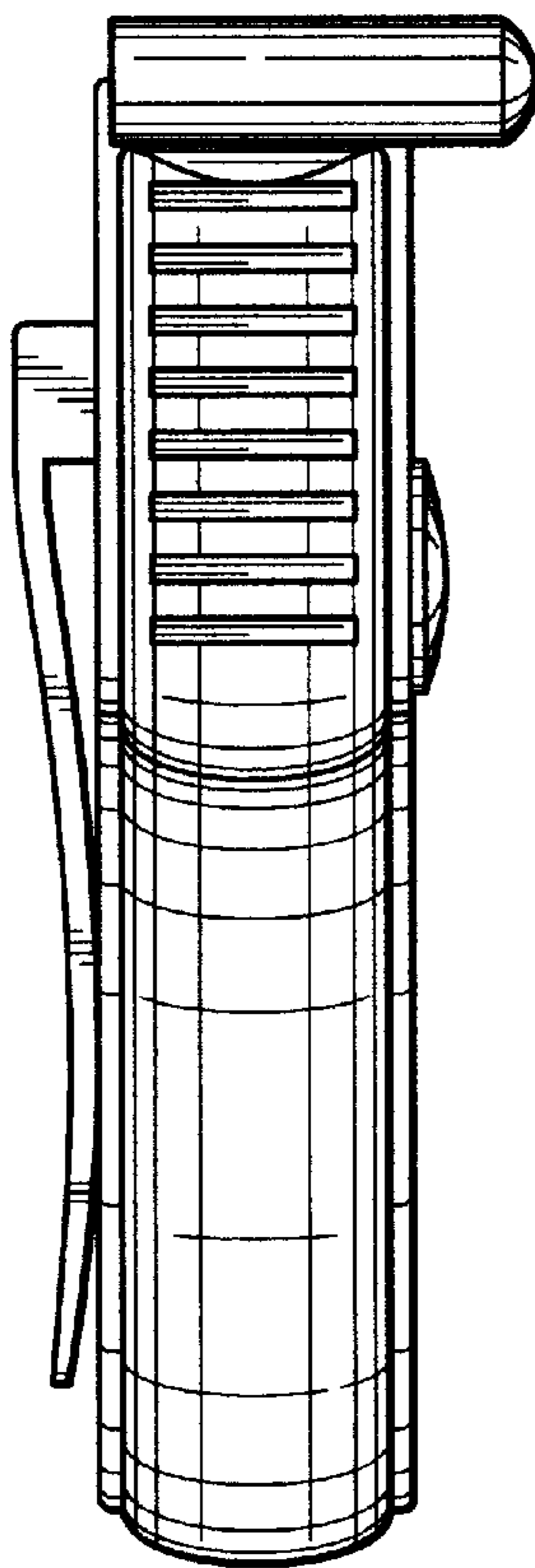
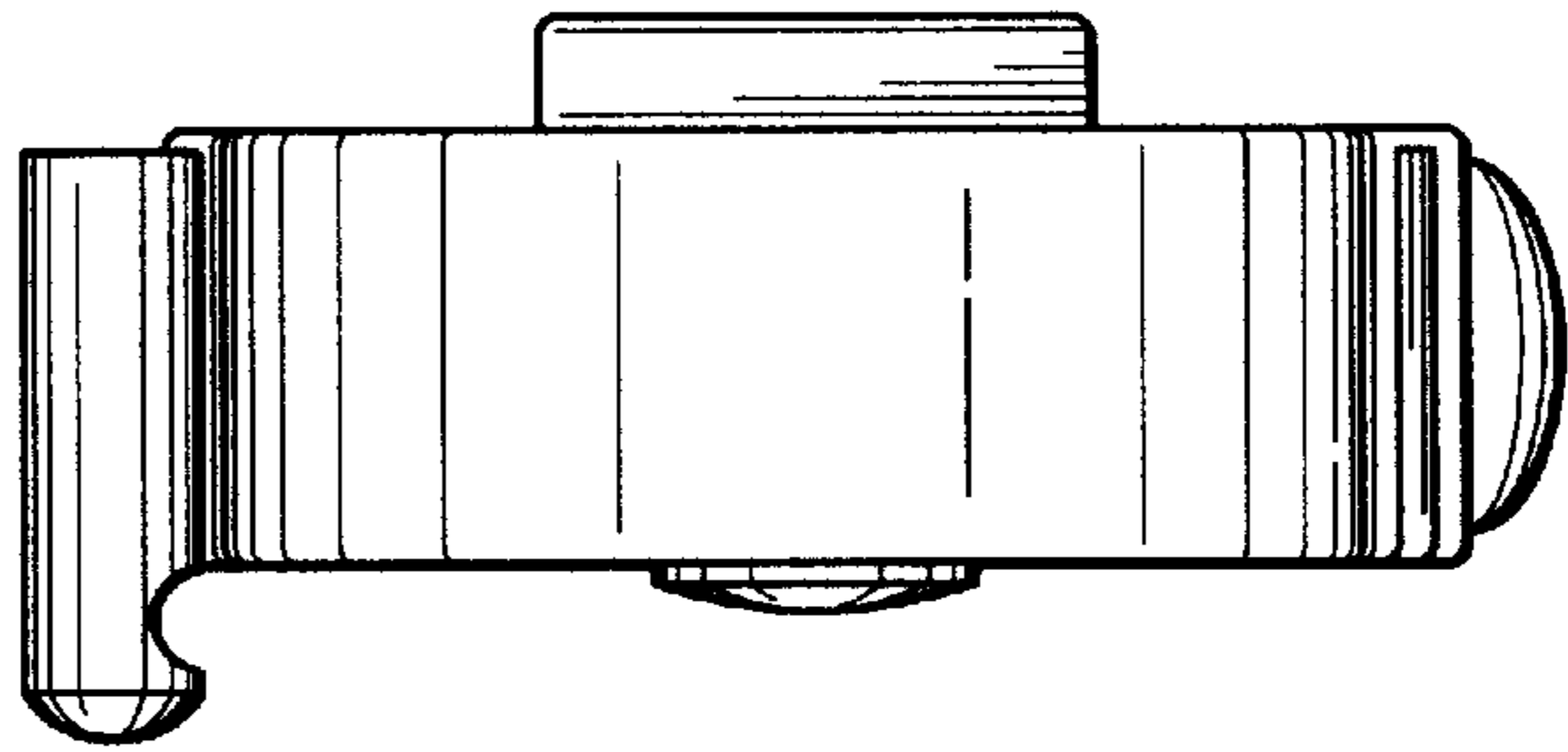


FIG. 4

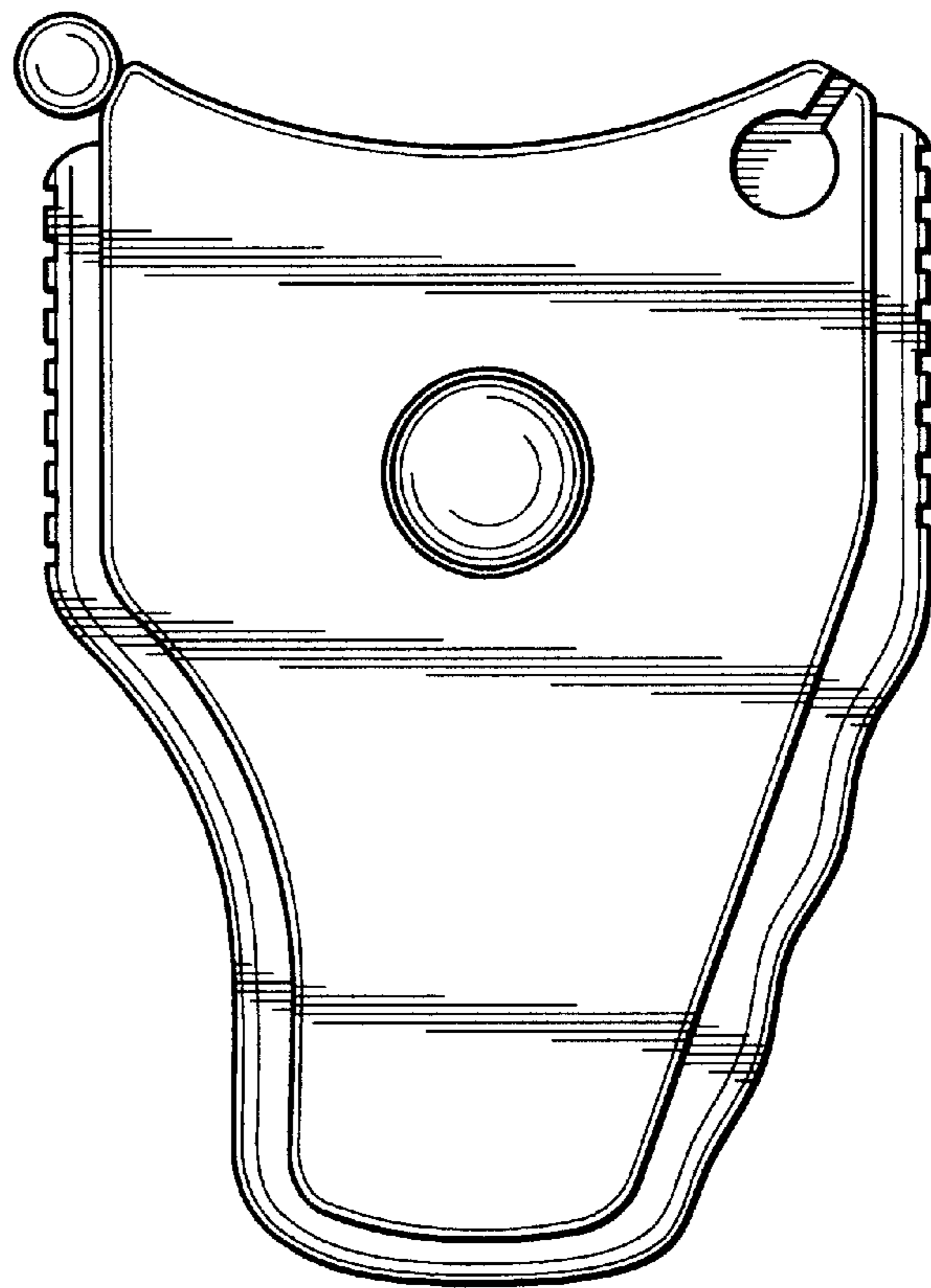


FIG. 3

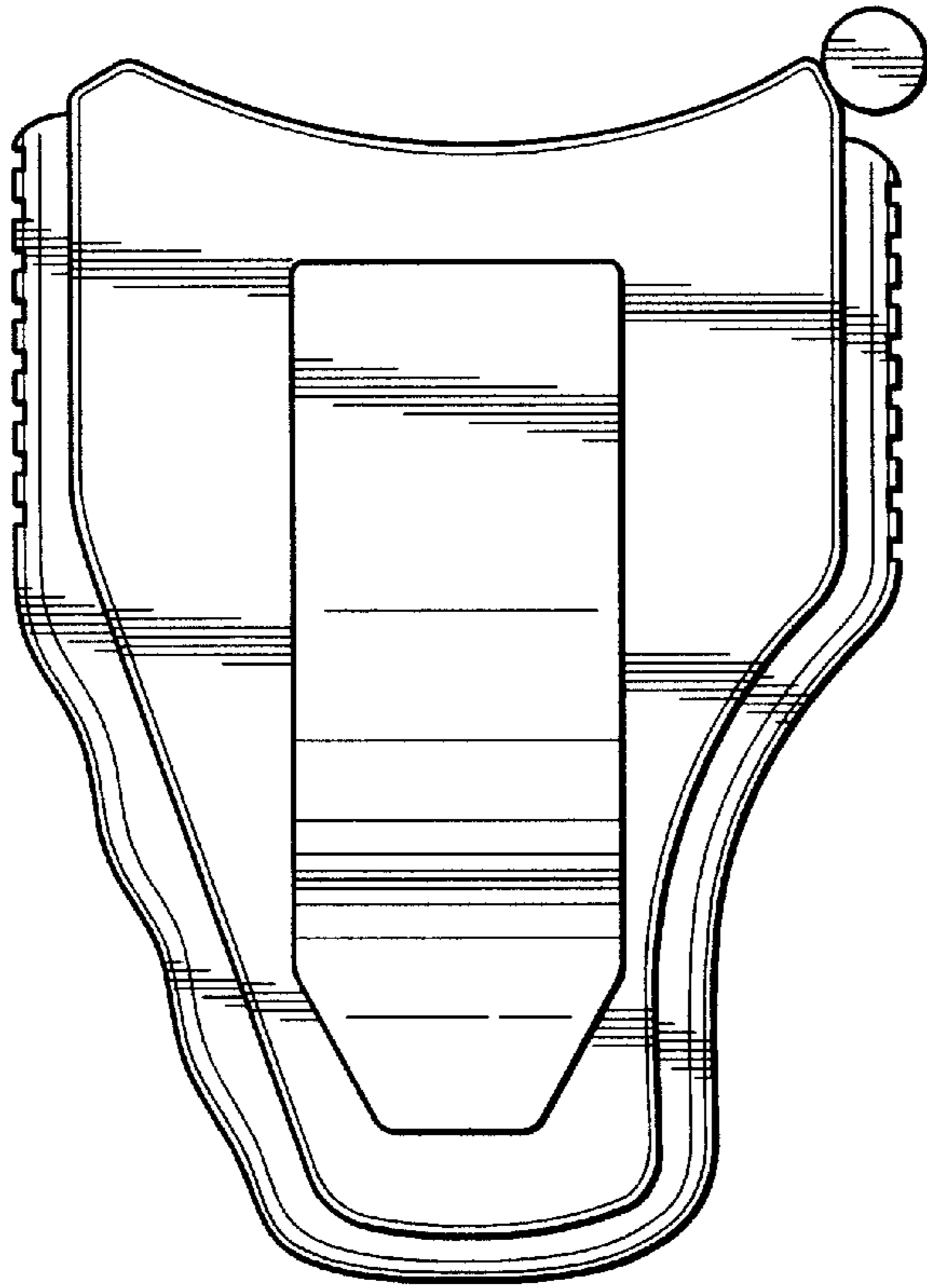


FIG. 6

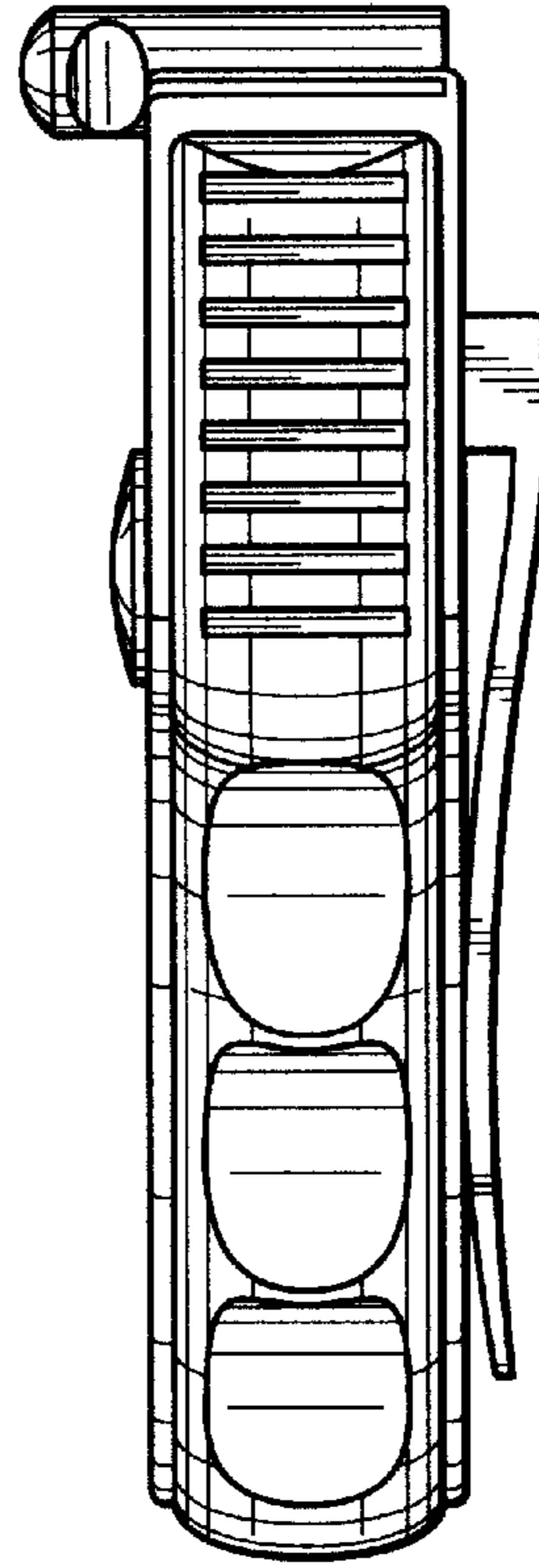


FIG. 7

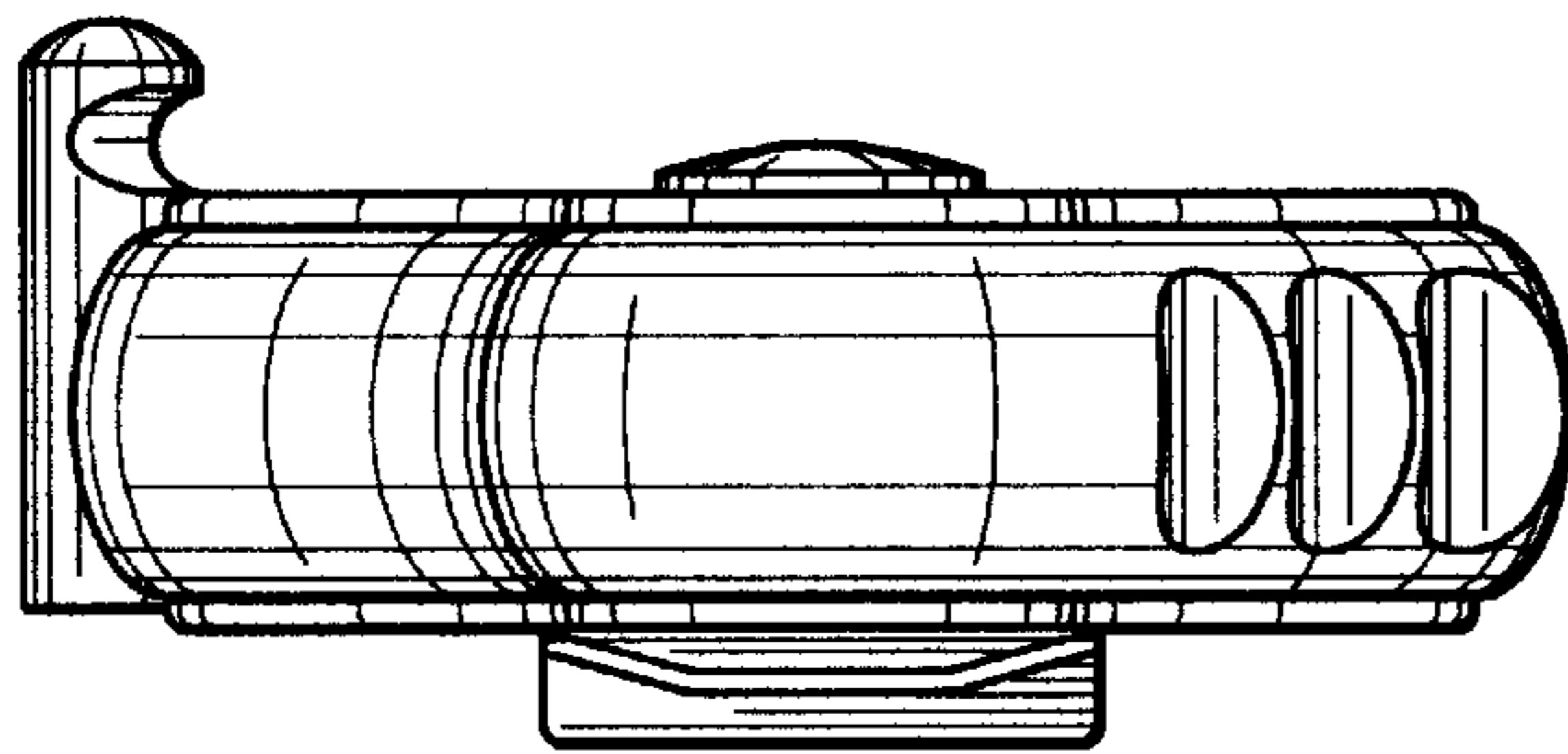


FIG. 8