



US00D423380S

# United States Patent [19] Kram

[11] **Patent Number: Des. 423,380**  
[45] **Date of Patent: \*\* Apr. 25, 2000**

[54] **OPEN REEL MEASURING TAPE CASE**

[75] Inventor: **Robert J. Kram**, Muskego, Wis.

[73] Assignee: **Empire Level Mfg. Corp.**, Milwaukee, Wis.

[\*\*] Term: **14 Years**

[21] Appl. No.: **29/106,054**

[22] Filed: **Jun. 8, 1999**

[51] **LOC (6) Cl. .... 10-04**

[52] **U.S. Cl. .... D10/72**

[58] **Field of Search ..... D10/72; 242/385.1, 242/390.1, 396.2, 396.7, 397.2; 33/756-772**

[56] **References Cited**

**U.S. PATENT DOCUMENTS**

- D. 203,410 1/1966 Quenot .
- D. 310,042 8/1990 Kang .
- D. 310,043 8/1990 Kang .
- D. 311,697 10/1990 Kang .
- D. 312,217 11/1990 Kang .
- D. 312,419 11/1990 Kang .
- D. 322,943 1/1992 Sun .
- D. 324,346 3/1992 Ogasawara .
- D. 341,329 11/1993 Morris .
- D. 342,687 12/1993 Kang .
- D. 345,515 3/1994 Bordenave .
- D. 347,687 6/1994 Katzer et al. .
- D. 365,769 1/1996 Kang .
- D. 377,911 2/1997 Ogasawara .
- 3,289,306 12/1966 Todd .
- 3,347,487 10/1967 Sellen, et al. .
- 3,763,569 10/1973 Merlat .
- 3,830,443 8/1974 Quenot .
- 3,979,833 9/1976 Grundman .
- 4,189,107 2/1980 Quenot et al. .

- 4,251,038 2/1981 Gename .
- 4,813,625 3/1989 Takeda .
- 4,856,726 8/1989 Kang .
- 4,896,432 1/1990 Kang .
- 4,899,460 2/1990 Kang .
- 4,944,097 7/1990 Kang .
- 5,440,820 8/1995 Hwang .

**OTHER PUBLICATIONS**

- Promotional materials reflecting Sunlon designs.
- Promotional materials reflecting Top Long design.
- Promotional materials reflecting Kala design.
- Promotional materials reflecting Fujian design.
- Promotional materials reflecting Sola design.
- Promotional materials reflecting Great Wall designs.
- Promotional materials reflecting Index designs, type NP and LAT.
- Promotional materials reflecting Koma design.

*Primary Examiner*—Antoine Duval Davis  
*Attorney, Agent, or Firm*—Jansson, Shupe, Bridge & Munger, Ltd.

[57] **CLAIM**

The ornamental design for an open reel measuring tape case, as shown.

**DESCRIPTION**

FIG. 1 is a perspective view of the design of this application. FIG. 2 is a top plan view of the design of this application. FIG. 3 is a right side view of the design of this application. FIG. 4 is cross-sectional view of the design of this application, taken along the line A-A of FIG. 2. FIG. 5 is a bottom plan view of the design of this application. FIG. 6 is a front view of the design of this application; and, FIG. 7 is a rear view of the design of this application.

**1 Claim, 2 Drawing Sheets**

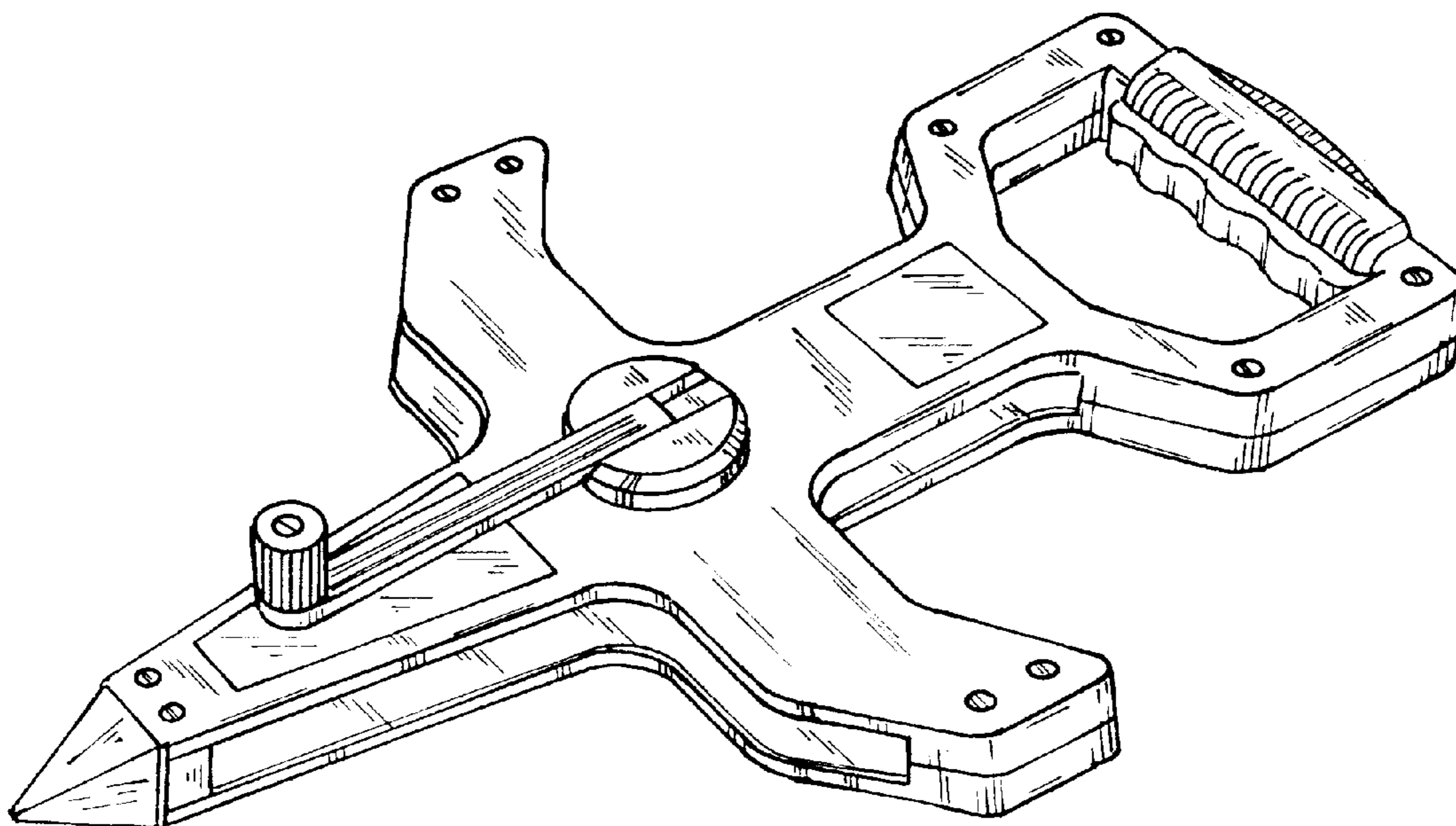


FIG. 1

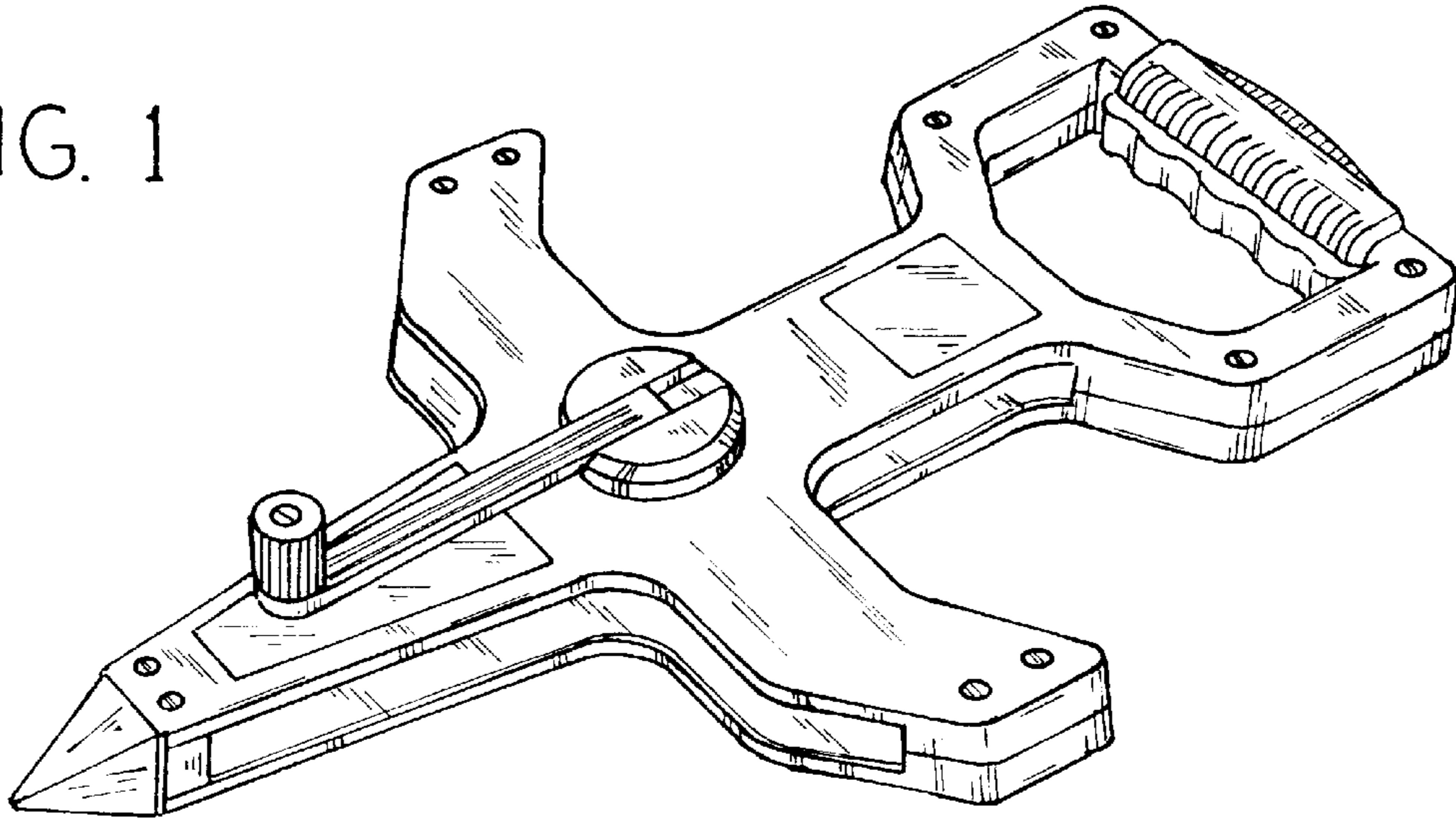


FIG. 2

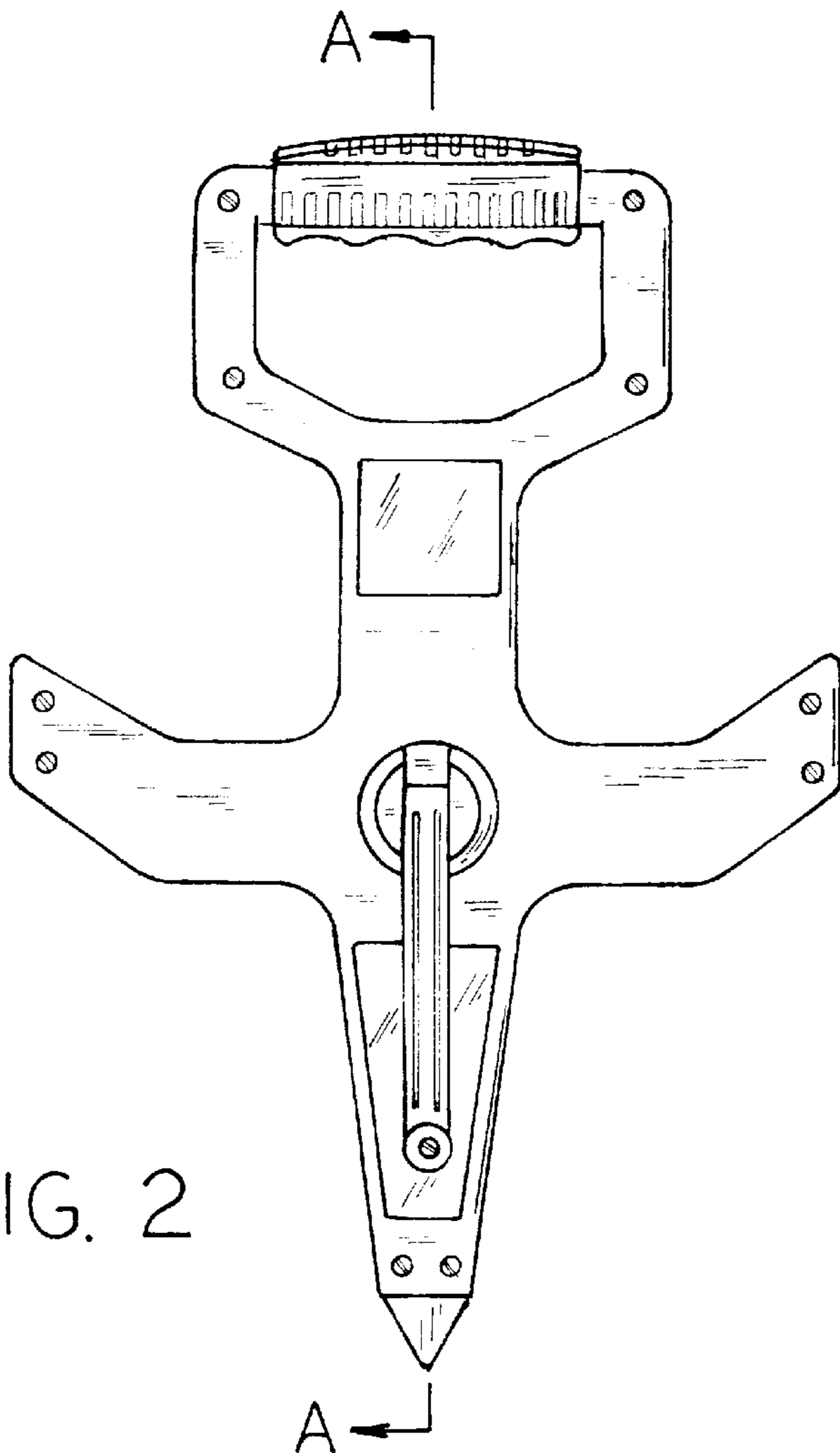
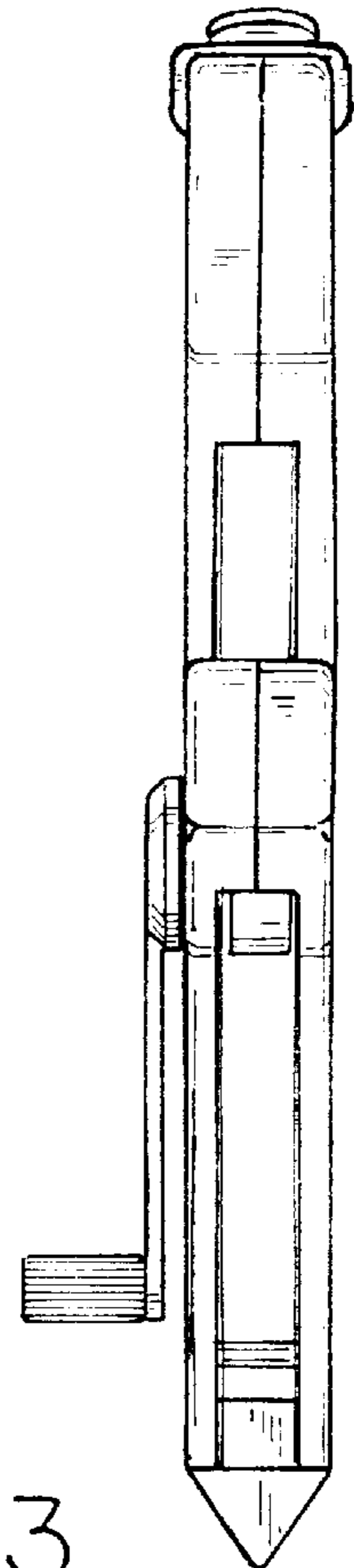


FIG. 3



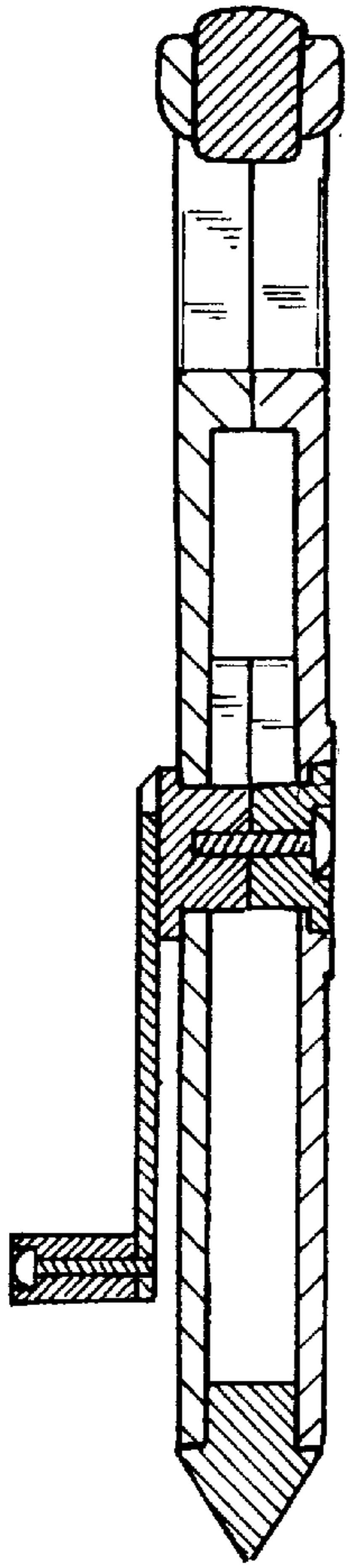


FIG. 4

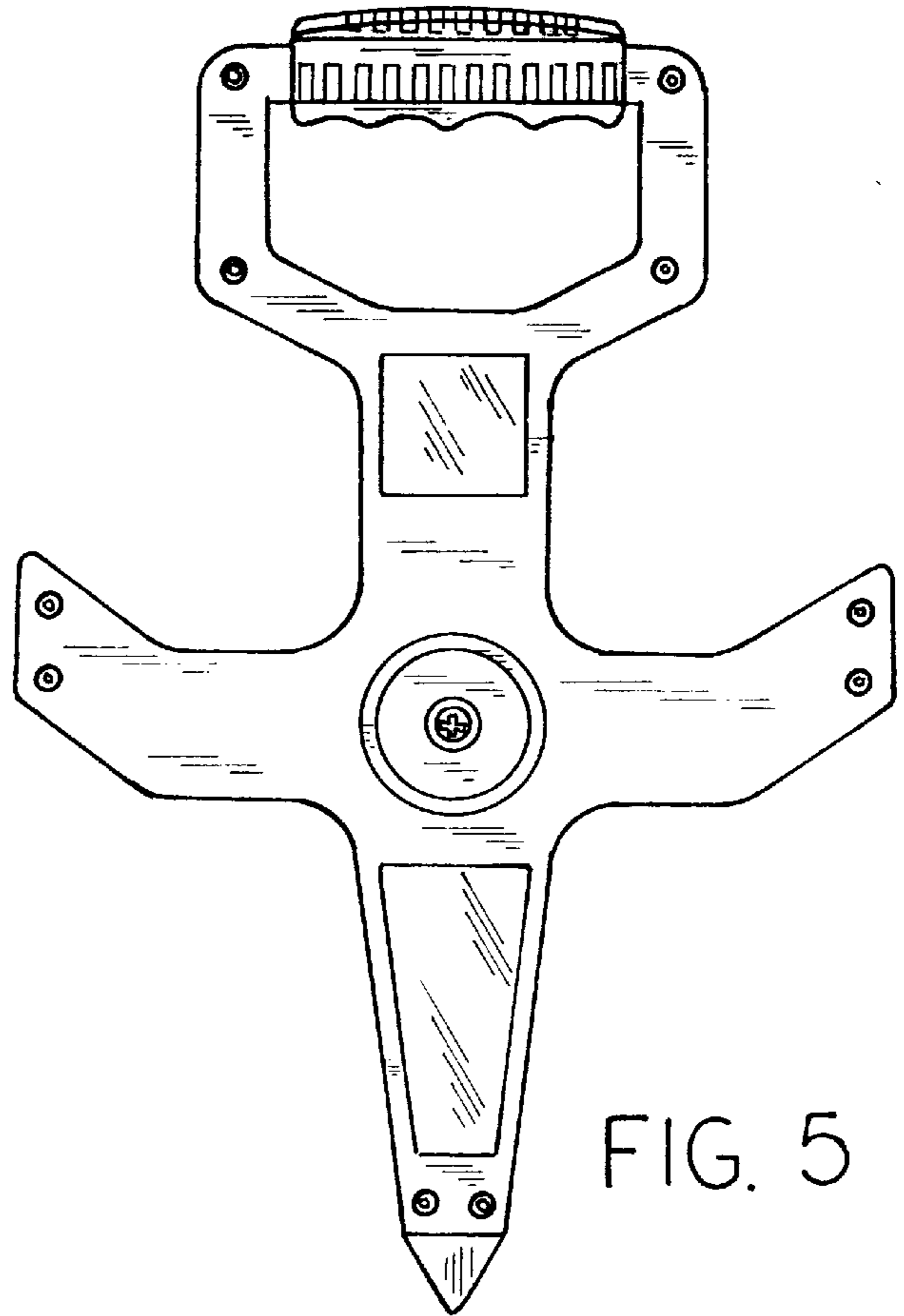


FIG. 5

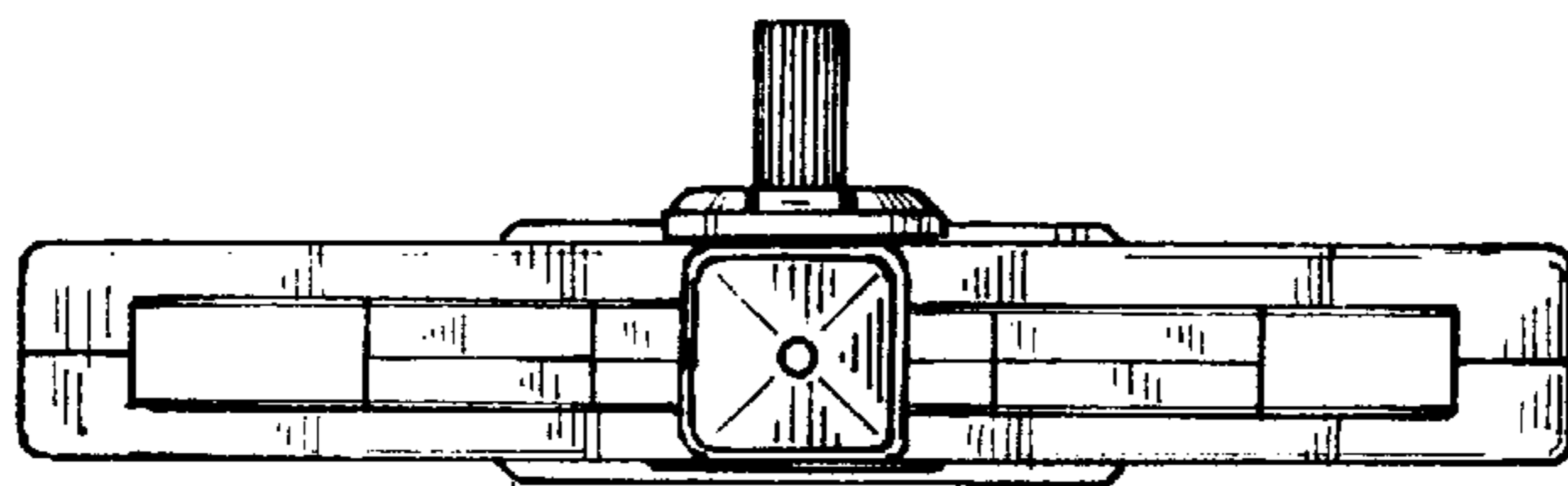


FIG. 6

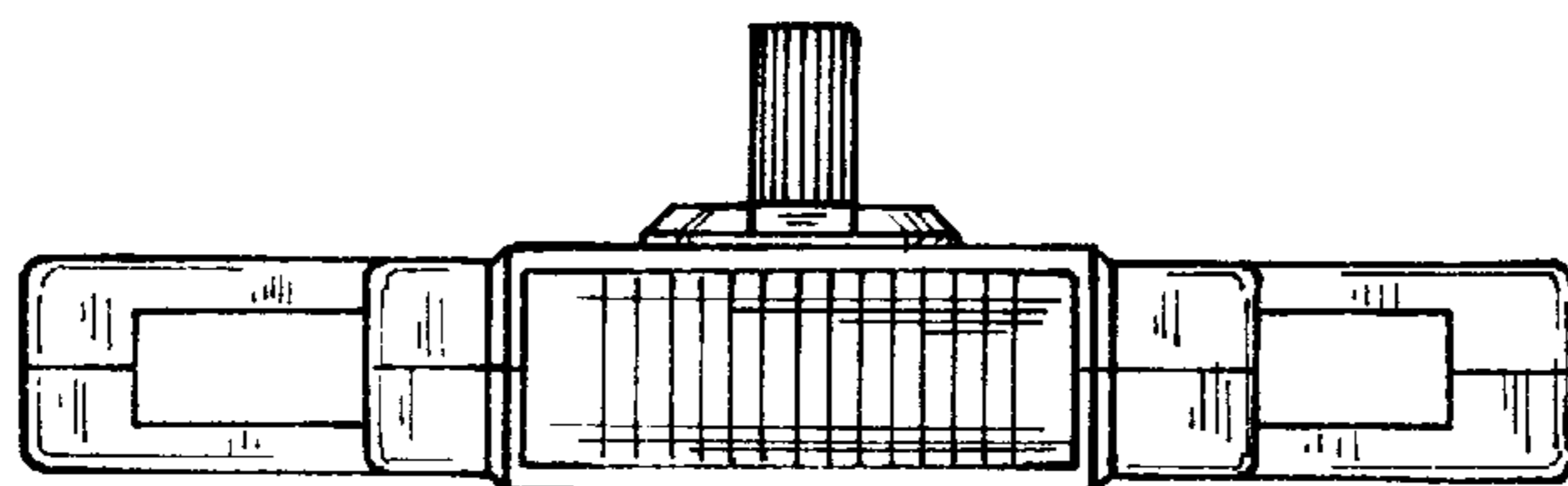


FIG. 7