



US00D423378S

**United States Patent** [19]  
**Rogers**

[11] **Patent Number: Des. 423,378**

[45] **Date of Patent: \*\* Apr. 25, 2000**

[54] **CRUSTACEAN PROD AND MEASURER**

**DESCRIPTION**

[76] Inventor: **William H. Rogers**, 7407 Bowden Rd., Jacksonville, Fla. 32216

[\*\*] Term: **14 Years**

[21] Appl. No.: **29/109,738**

[22] Filed: **Aug. 20, 1999**

[51] **LOC (6) Cl.** ..... **10-04**

[52] **U.S. Cl.** ..... **D10/64**

[58] **Field of Search** ..... D10/64, 65; 33/362, 33/363-365

[56] **References Cited**

**U.S. PATENT DOCUMENTS**

D. 296,528 7/1988 Down ..... D10/64  
D. 366,842 2/1996 Parlett ..... D10/64

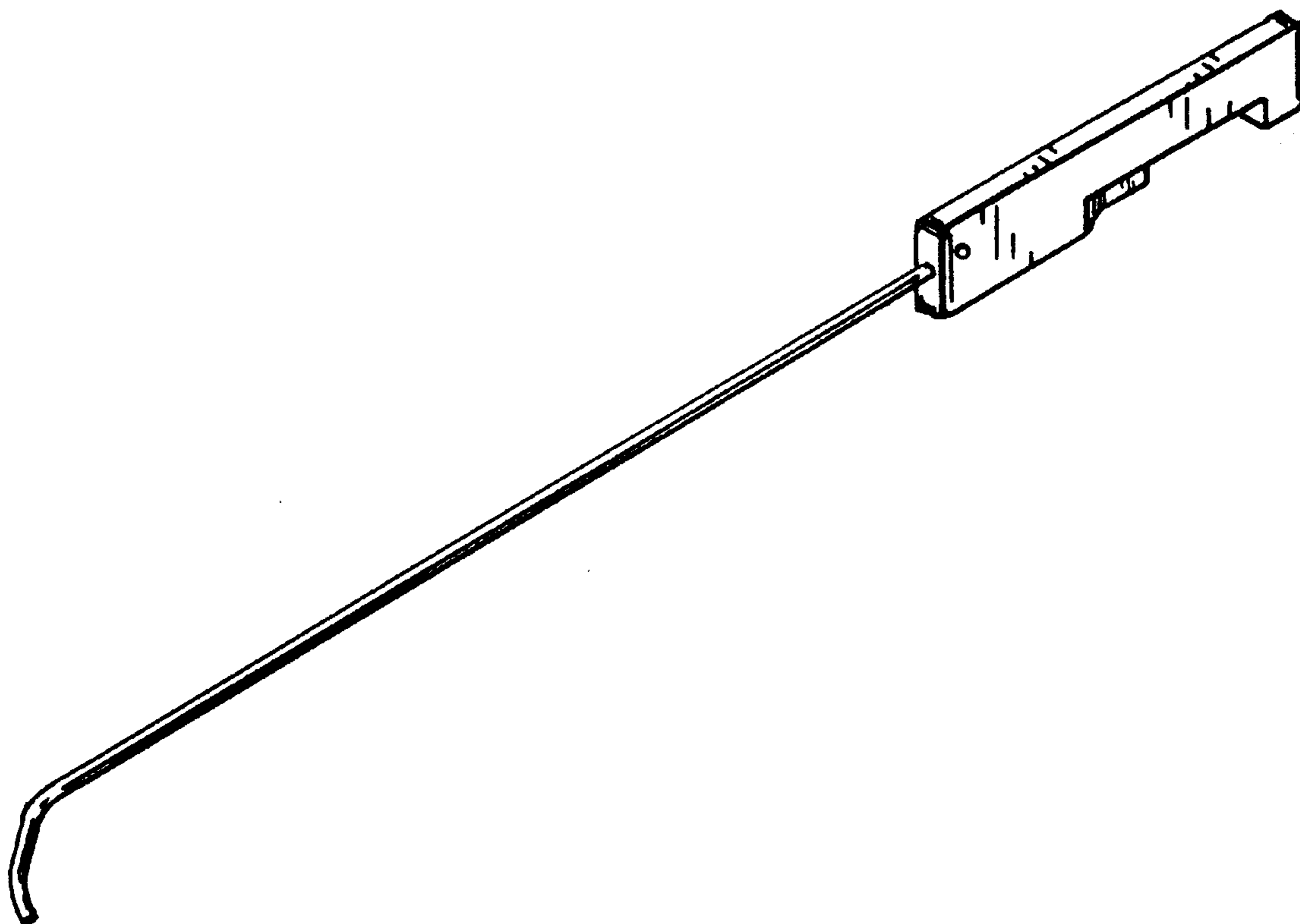
*Primary Examiner*—Antoine Duval Davis  
*Attorney, Agent, or Firm*—Arthur G. Yeager

[57] **CLAIM**

The ornamental design of a crustacean prod and measurer, as shown and described.

FIG. 1 is a front perspective view of a first embodiment of a crustacean prod and measurer showing my new design; FIG. 2 is an enlarged front elevational view thereof with the major portion of the prod broken away; FIG. 3 is an enlarged top plan view thereof with the major portion of the prod broken away; FIG. 4 is an enlarged right end elevational view thereof; FIG. 5 is an enlarged left end elevational view thereof; FIG. 6 is an enlarged bottom plan view thereof; FIG. 7 is an enlarged side elevational view thereof with a major portion of the prod and handle broken away; FIG. 8 is a front elevational perspective view of a second embodiment of a crustacean prod and measurer showing my new design; FIG. 9 is an enlarged right end elevational view thereof; FIG. 10 is an enlarged left end elevational view thereof; FIG. 11 is an enlarged top plan view thereof with the major portion of the prod broken away; and, FIG. 12 is an enlarged front elevational view thereof with the major portion of the prod broken away. The top plan view of the second embodiment is identical to FIG. 6. The rear elevational views of the embodiments are identical to the respective front elevational views of FIGS. 2 and 12.

**1 Claim, 4 Drawing Sheets**



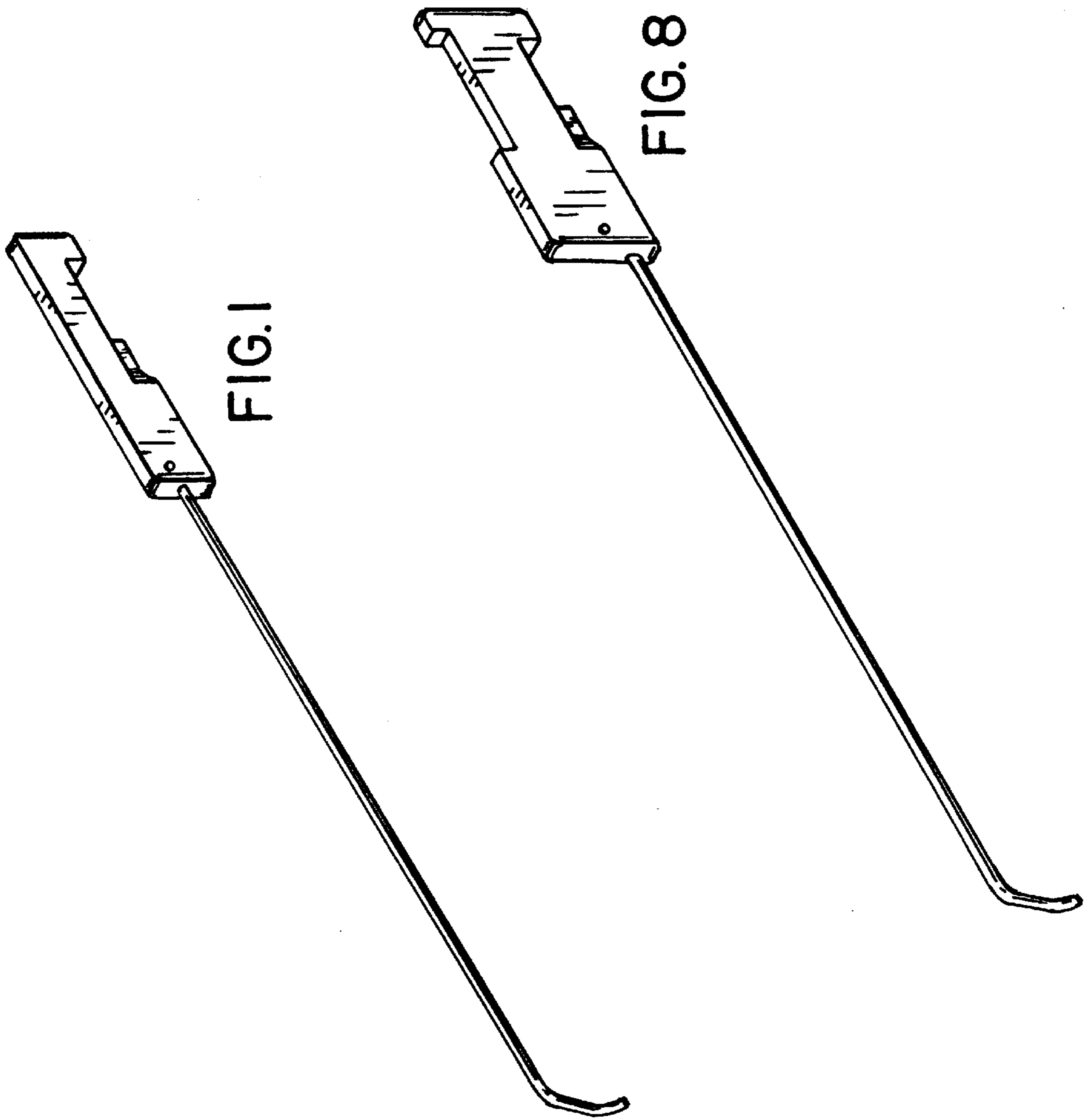




FIG. 4

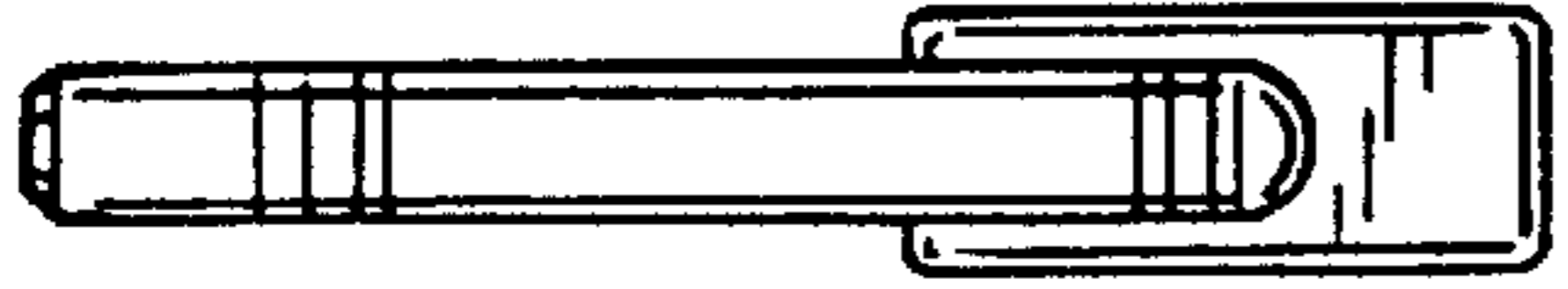


FIG. 5

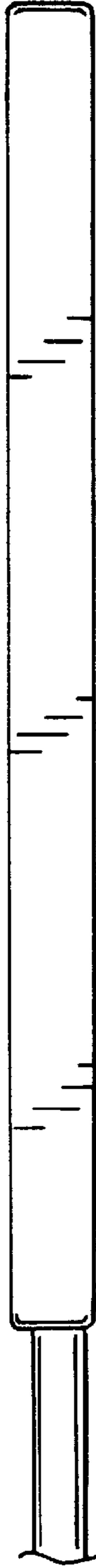


FIG. 3

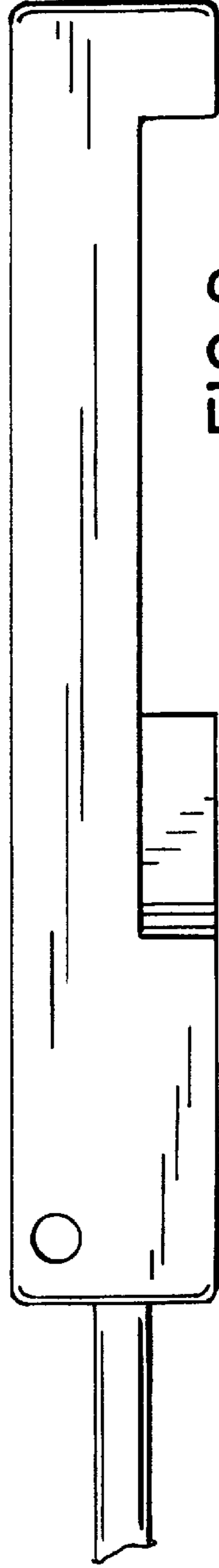


FIG. 2



FIG. 6

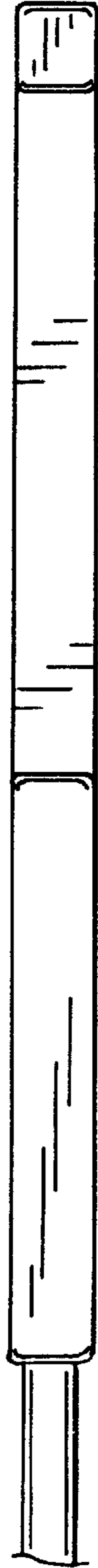


FIG. 11

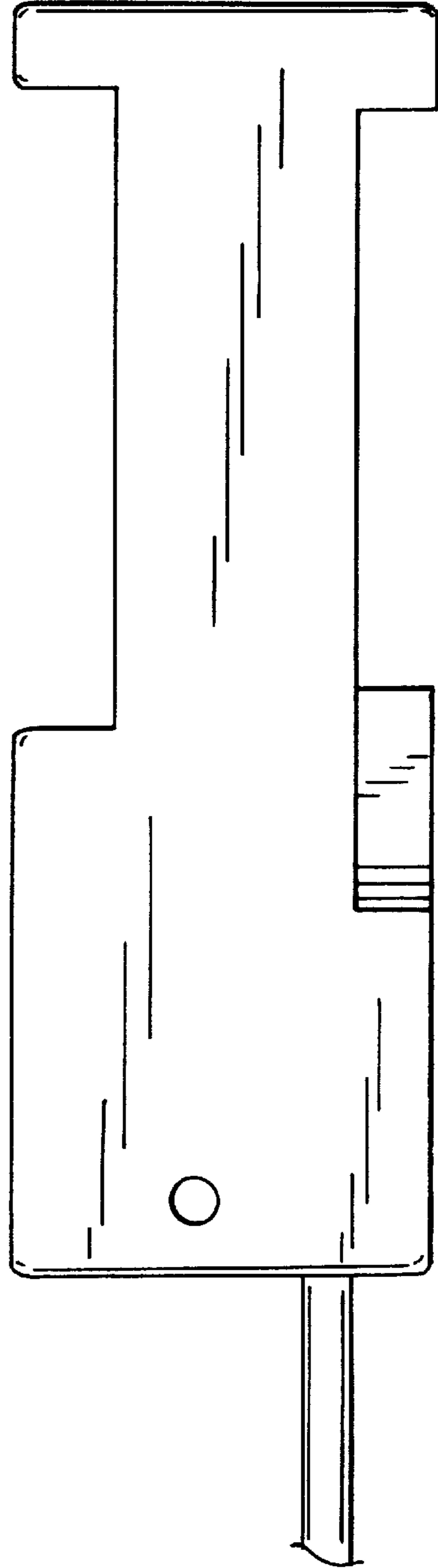


FIG. 12

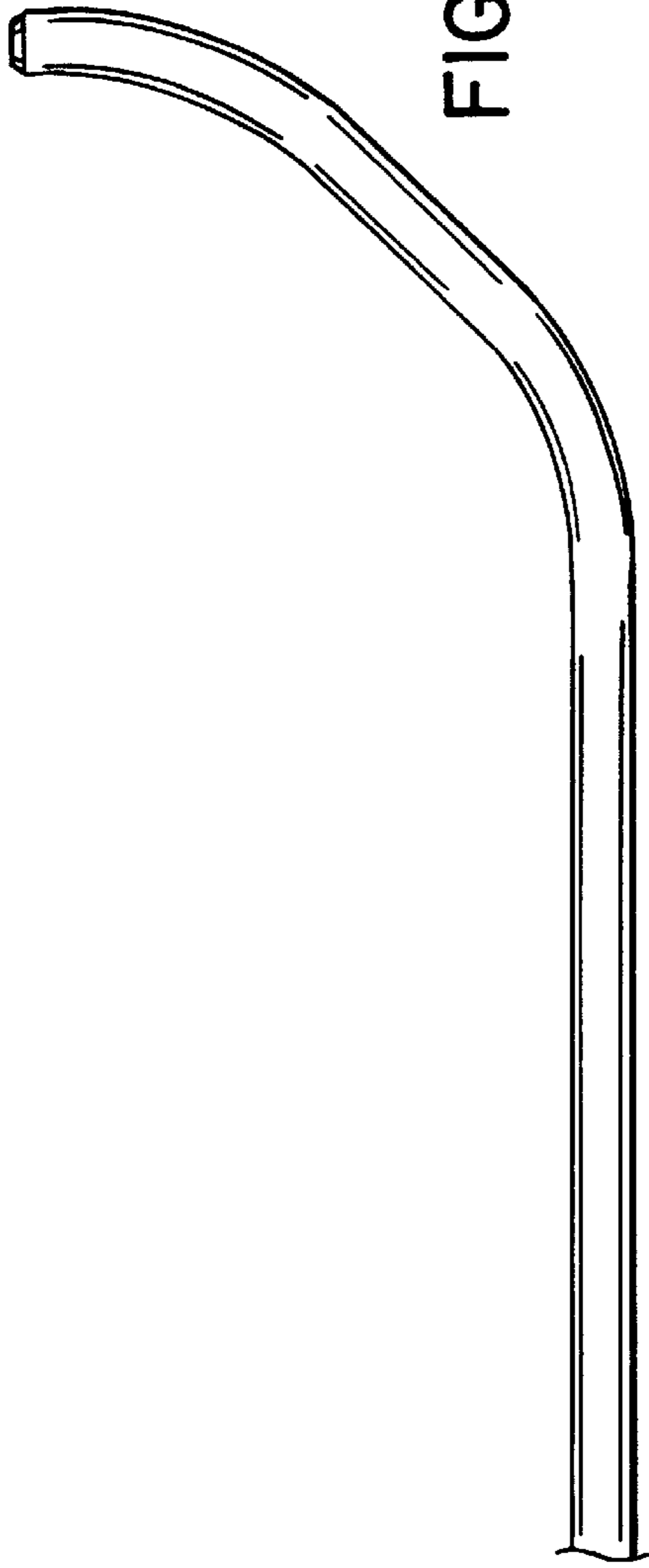


FIG. 7



FIG. 9



FIG. 10