



US00D423371S

United States Patent [19]
Wu

[11] **Patent Number: Des. 423,371**

[45] **Date of Patent: ** Apr. 25, 2000**

[54] **COMBINED CLOCK AND PHOTOGRAPH HOLDER**

[76] Inventor: **Robert Wu**, P.O. Box 63-247,
Taichung, Taiwan

[**] Term: **14 Years**

[21] Appl. No.: **29/098,081**

[22] Filed: **Dec. 21, 1998**

[51] **LOC (6) Cl.** **10-01**

[52] **U.S. Cl.** **D10/2; D10/18**

[58] **Field of Search** D10/1-40, 122-132;
368/276-277, 285, 316-317, 10; D6/300,
304, 310-312

[56] **References Cited**

U.S. PATENT DOCUMENTS

D. 96,553	8/1935	Irelan .	
D. 131,209	1/1942	Kauffman	D10/18
D. 269,414	6/1983	Sugano	D10/18
D. 278,666	5/1985	McCartin	D6/300
D. 348,843	7/1994	Sanctis	D10/33
1,580,885	4/1926	Golden	D10/18
3,623,793	11/1971	Merten	359/847

OTHER PUBLICATIONS

Hong Kong Enterprise—Jun. 1990—p. 73—travel clocks at center.

Primary Examiner—Nelson C. Holtje
Attorney, Agent, or Firm—Alan Kamrath; Oppenheimer Wolff & Donnelly LLP

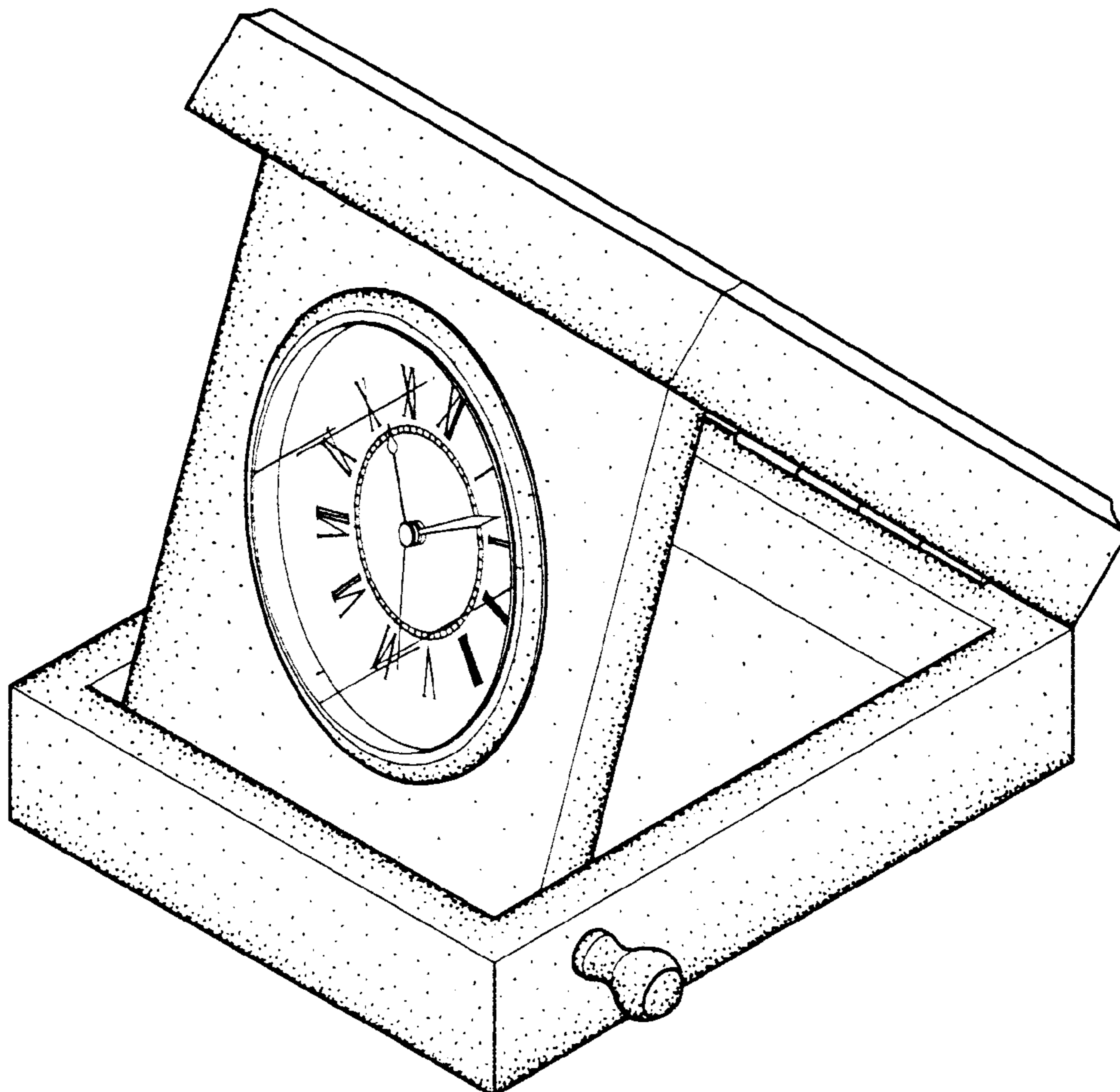
[57] **CLAIM**

The ornamental design for combined clock and photograph holder, as shown and described.

DESCRIPTION

FIG. 1 is a perspective view of a combined clock and photograph holder showing my new design; FIG. 2 is a front elevational view thereof; FIG. 3 is a rear elevational view thereof; FIG. 4 is a left elevational view thereof; FIG. 5 is a right elevational view thereof; FIG. 6 is a top plan view thereof; and FIG. 7 is bottom plan view thereof; and, FIG. 8 is the perspective view thereof in which the combined clock and photograph holder is in a closed position, showing the clock could be folded for illustration, drawn on an enlarged scale.

1 Claim, 4 Drawing Sheets



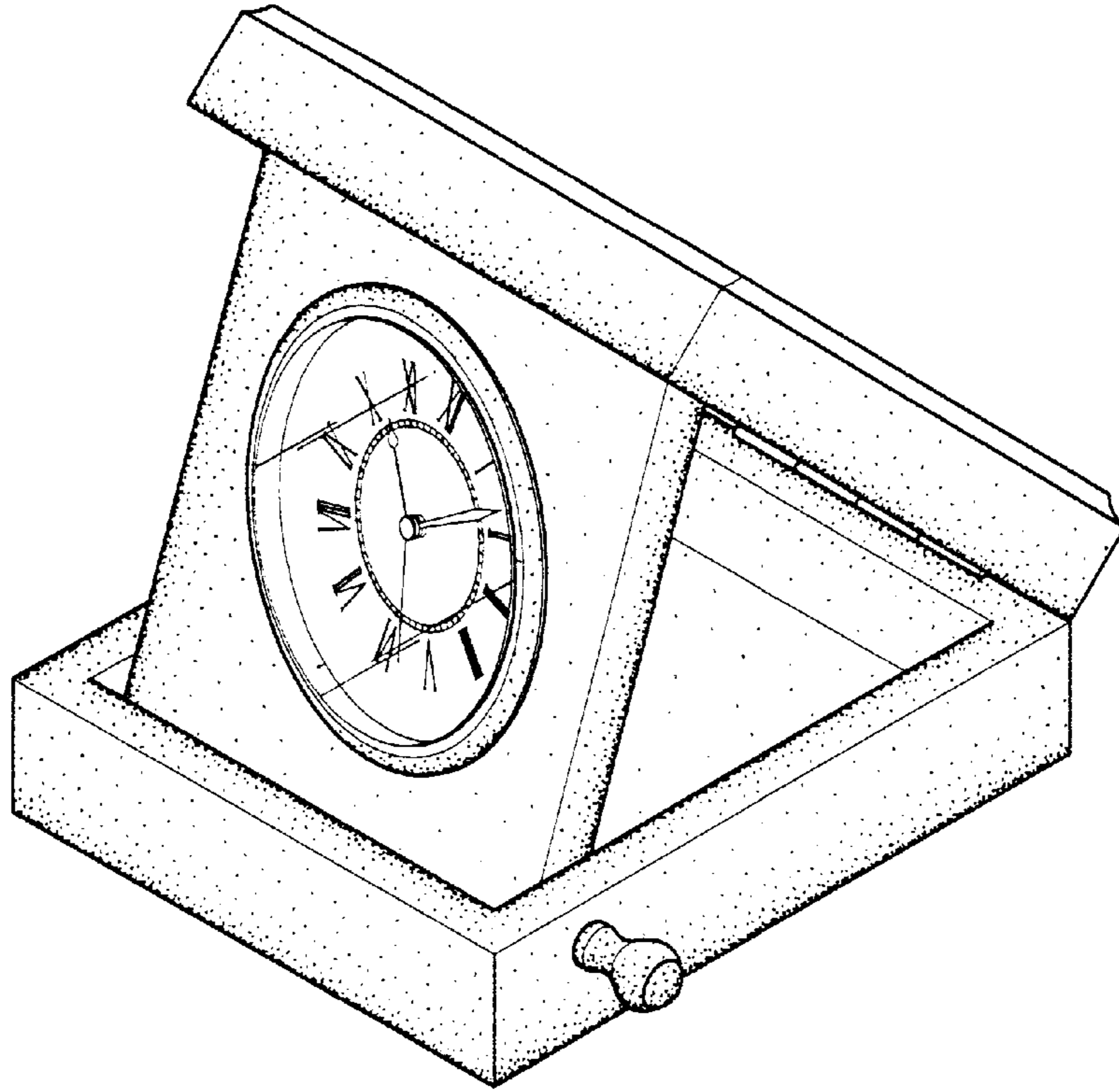


Fig. 1

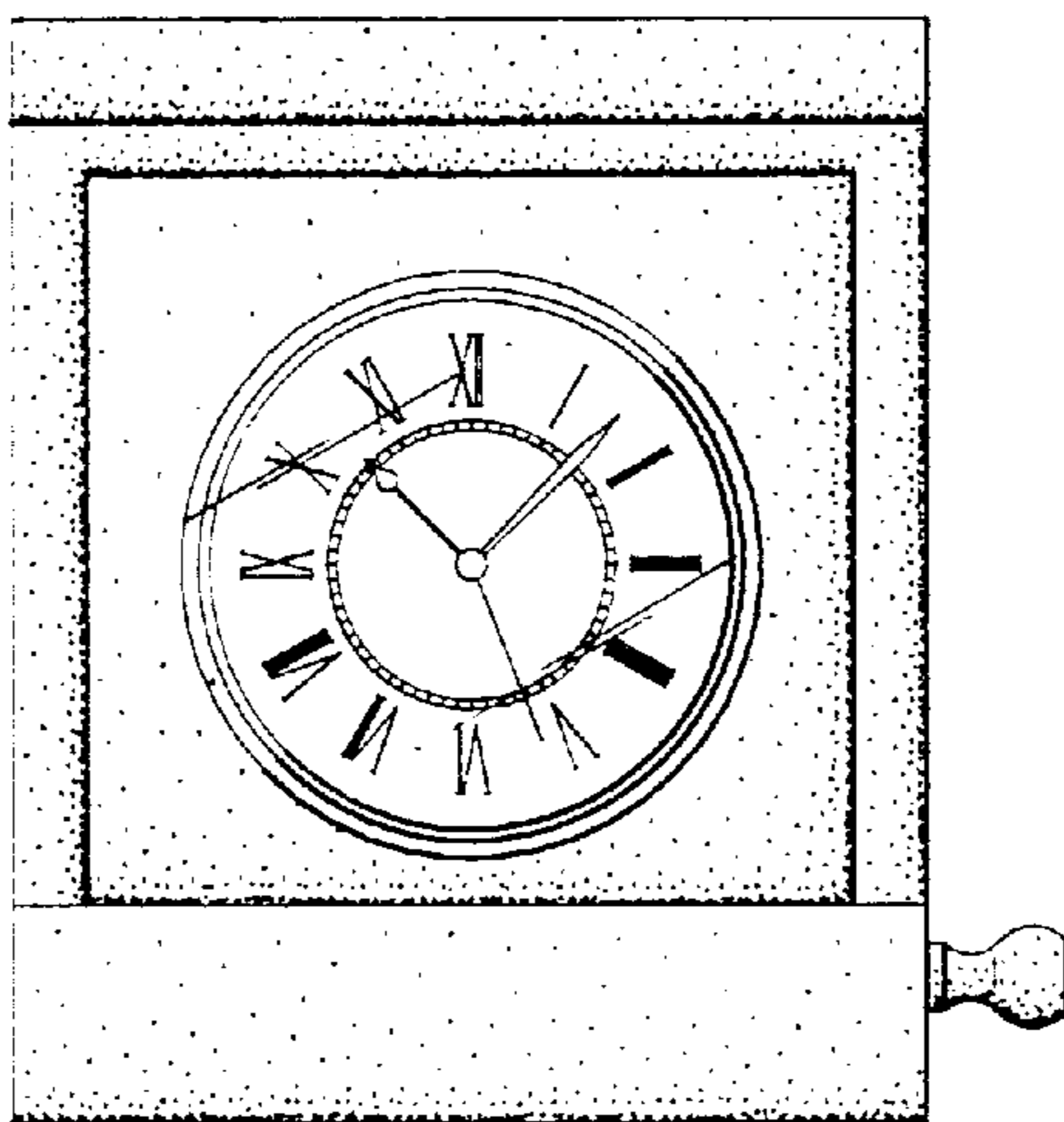


Fig. 2

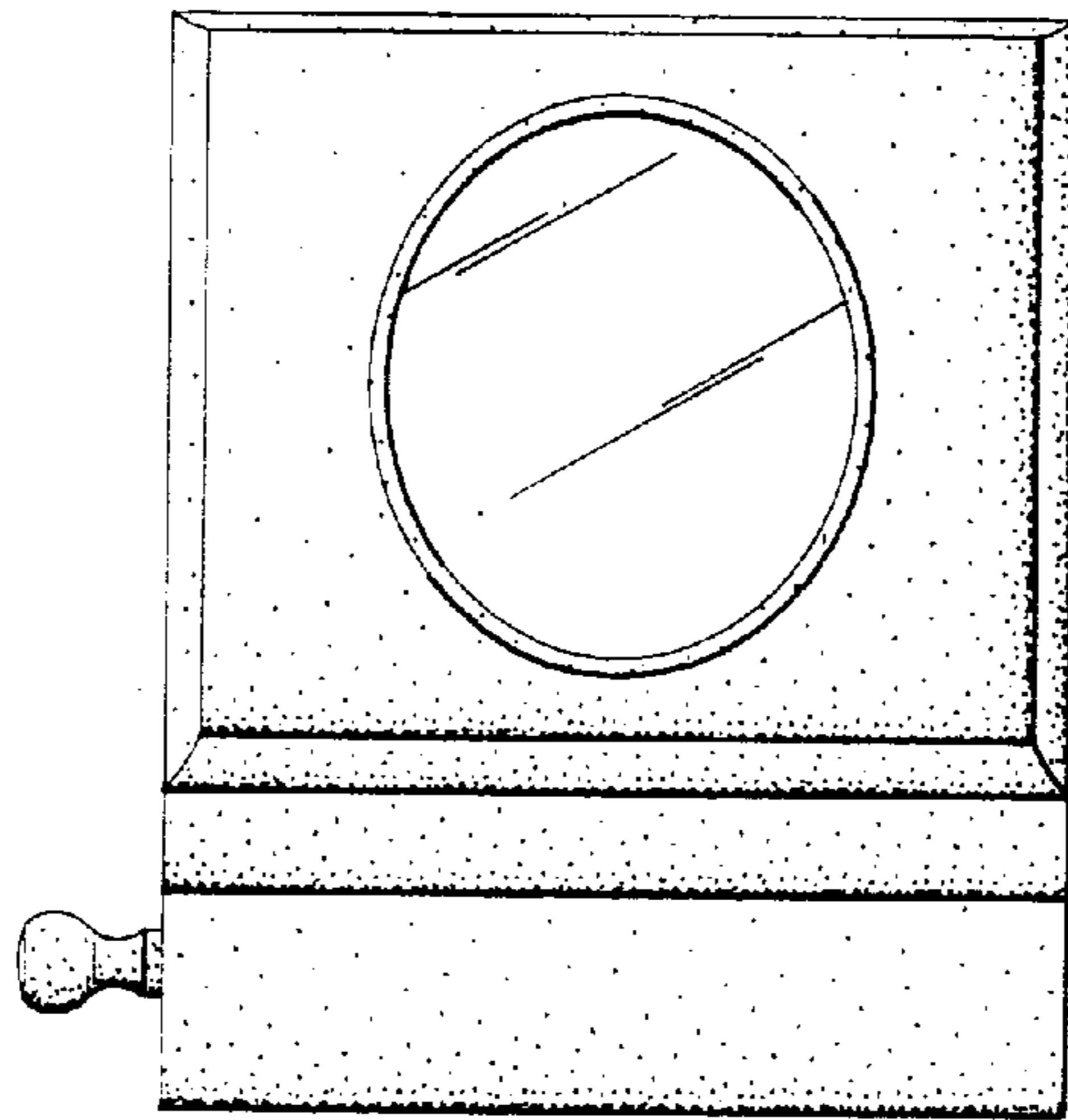


Fig. 3

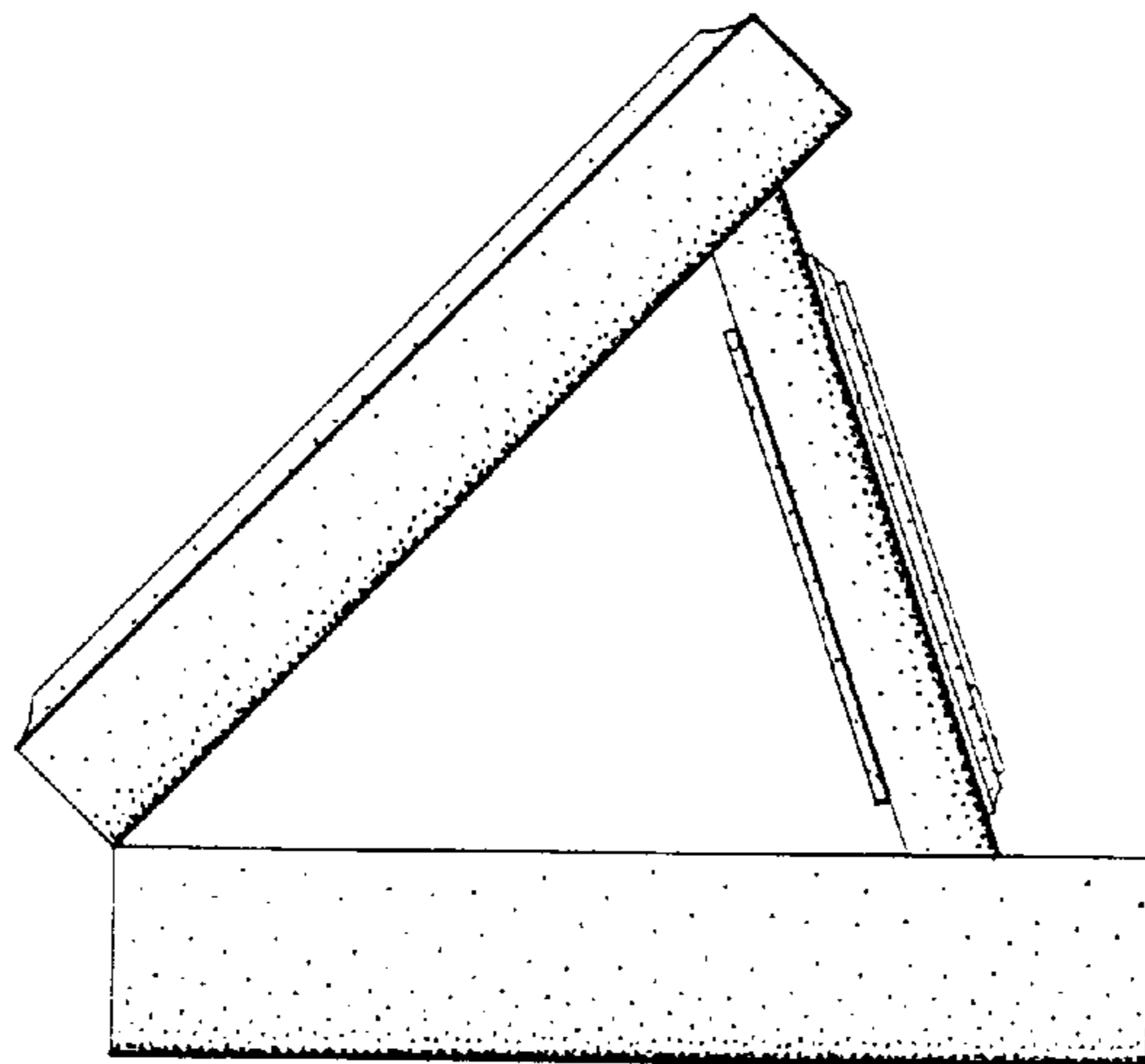


Fig. 4

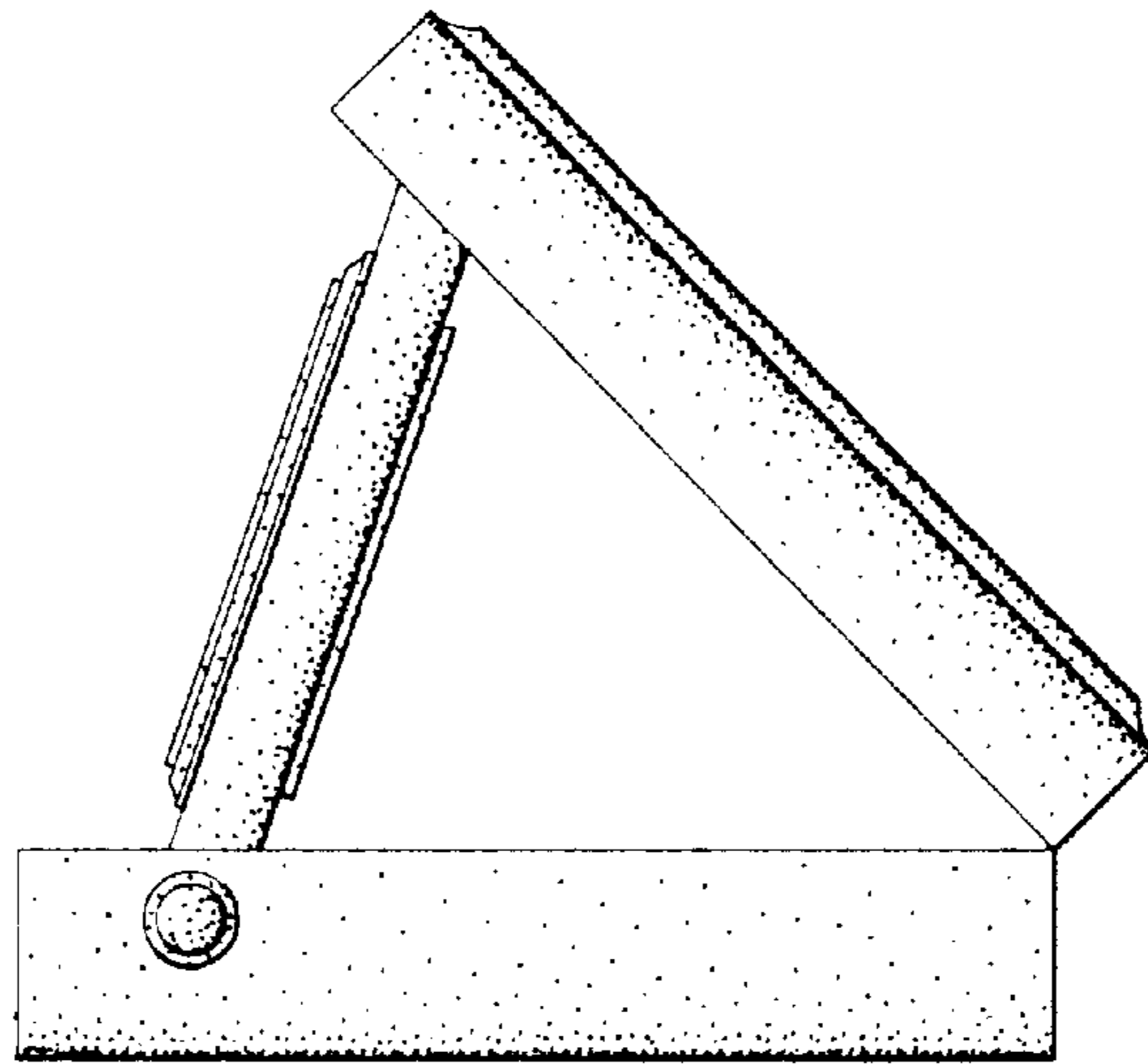


Fig. 5

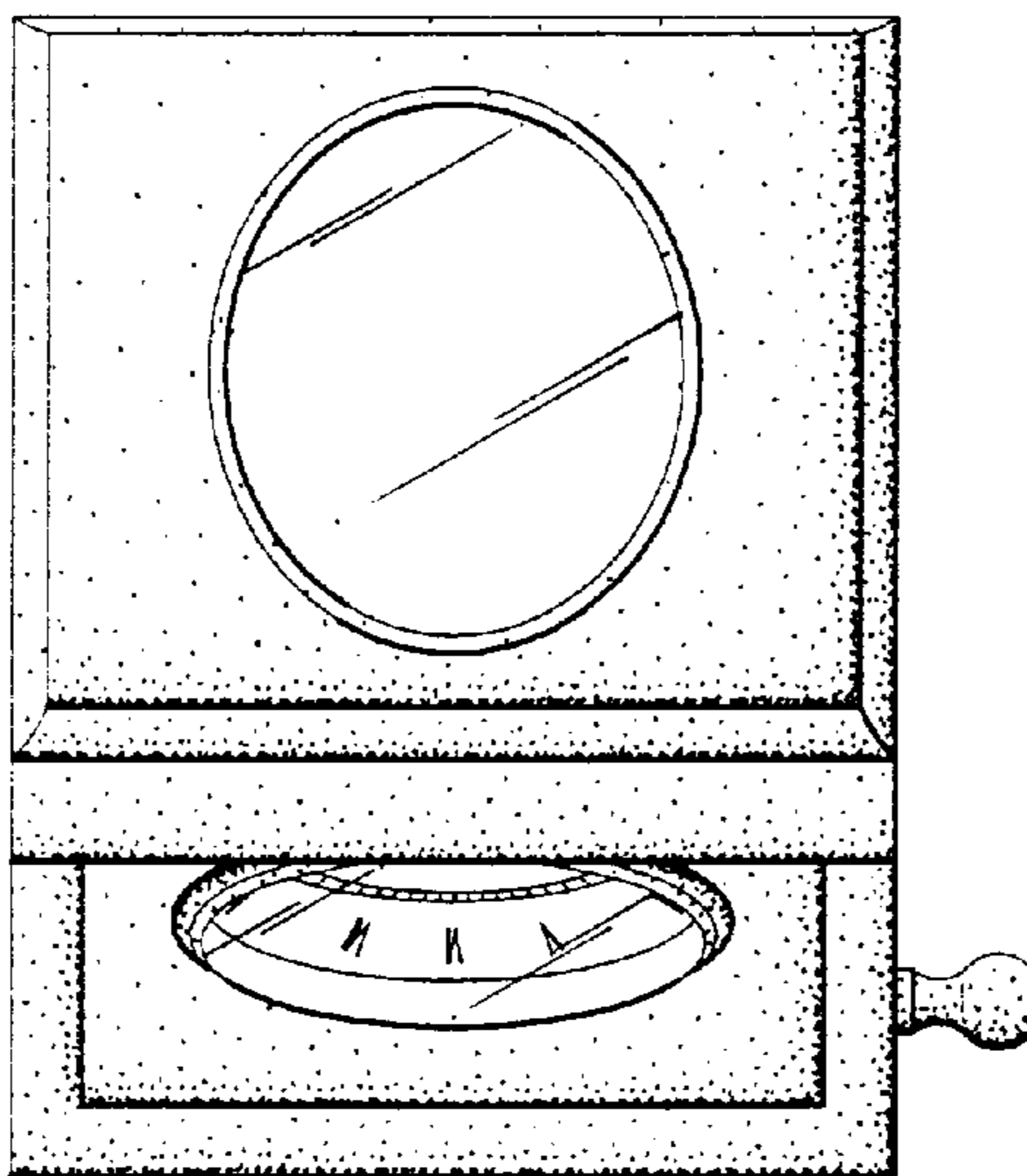


Fig. 6

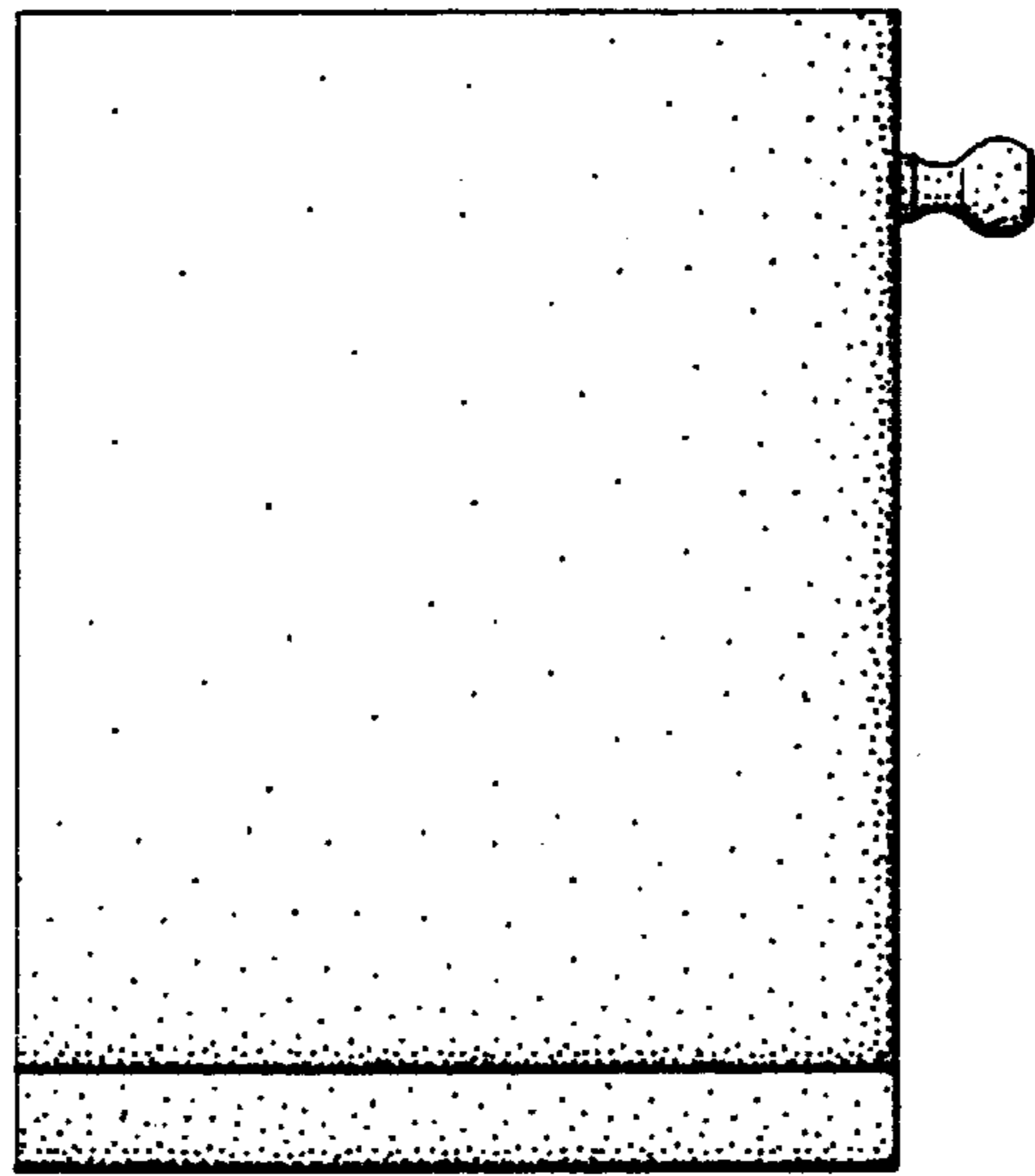


Fig. 7

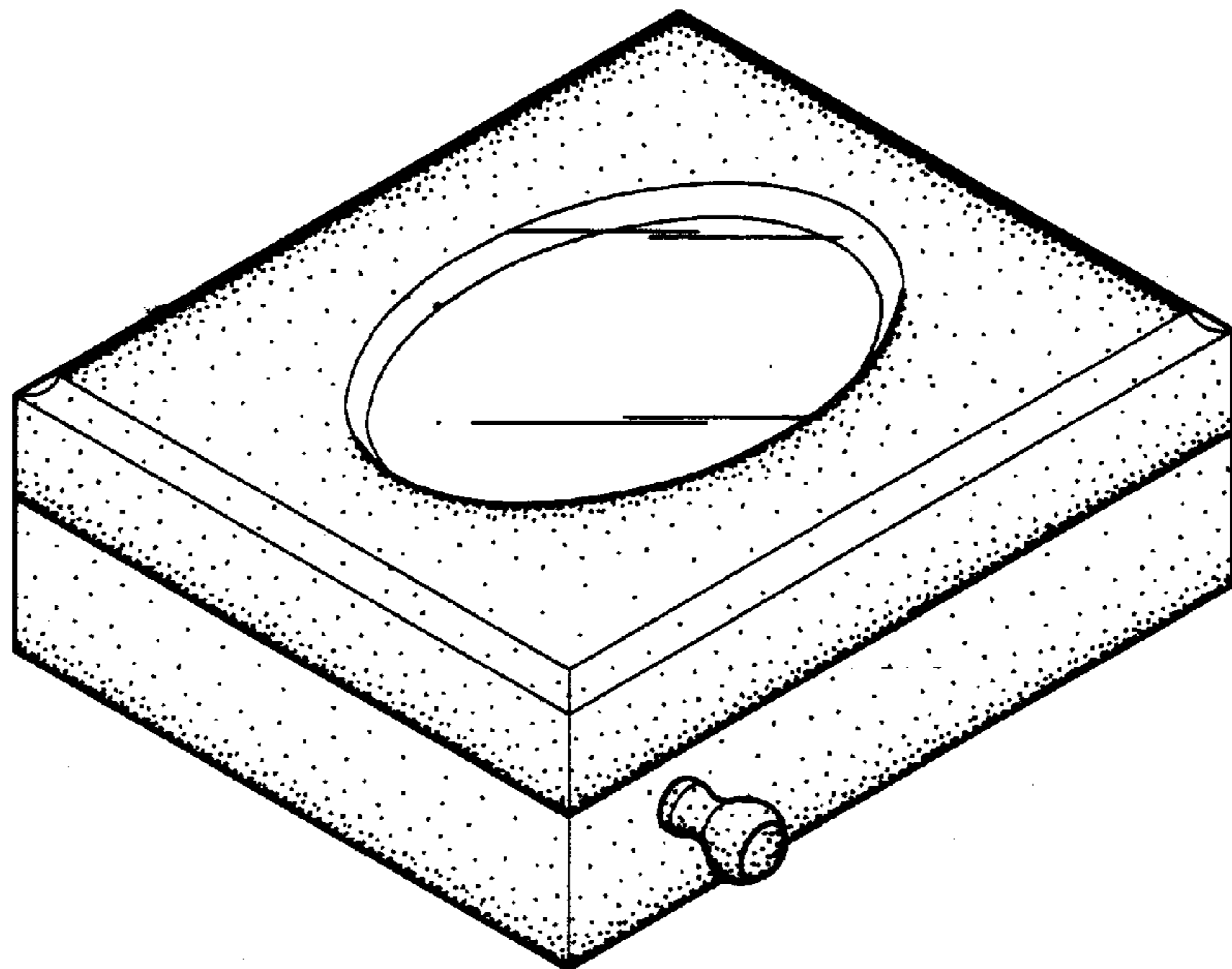


Fig. 8