



US00D423366S

# United States Patent [19] Gans

[11] **Patent Number: Des. 423,366**

[45] **Date of Patent: \*\* Apr. 25, 2000**

[54] **CONTAINER**

[75] Inventor: **Henry G. Gans**, Appleton, Wis.

[73] Assignee: **American National Can Company**,  
Chicago, Ill.

[\*\*] Term: **14 Years**

[21] Appl. No.: **29/097,264**

[22] Filed: **Dec. 2, 1998**

[51] **LOC (6) Cl.** ..... **09-01**

[52] **U.S. Cl.** ..... **D9/541; D9/560**

[58] **Field of Search** ..... D9/560, 541, 546,  
D9/573, 574, 500, 503, 538, 520; 215/382,  
383, 384; D34/39

[56] **References Cited**

**U.S. PATENT DOCUMENTS**

D. 107,586	12/1937	Toulouse	.....	D9/500
D. 218,288	8/1970	Hilliard	.....	D9/500
D. 233,981	12/1974	Watt	.....	D9/560
D. 264,182	5/1982	Kemp et al.	.....	D9/503
D. 278,597	4/1985	McAlinden	.....	D9/500
3,212,663	10/1965	Greenwell	.....	215/382

**OTHER PUBLICATIONS**

Owens-Illinois Food Industries 1959 Stock Catalog, p. 1,  
Jar C-3006.

*Primary Examiner*—Lucy Lieberman  
*Attorney, Agent, or Firm*—McDermott, Will & Emery

[57] **CLAIM**

The ornamental design for a container, as shown.

**DESCRIPTION**

FIG. 1 is a perspective view of the new design of the present invention;

FIG. 2 is a front elevational view of the new design of the present invention;

FIG. 3 is a back elevational view of the new design of the present invention;

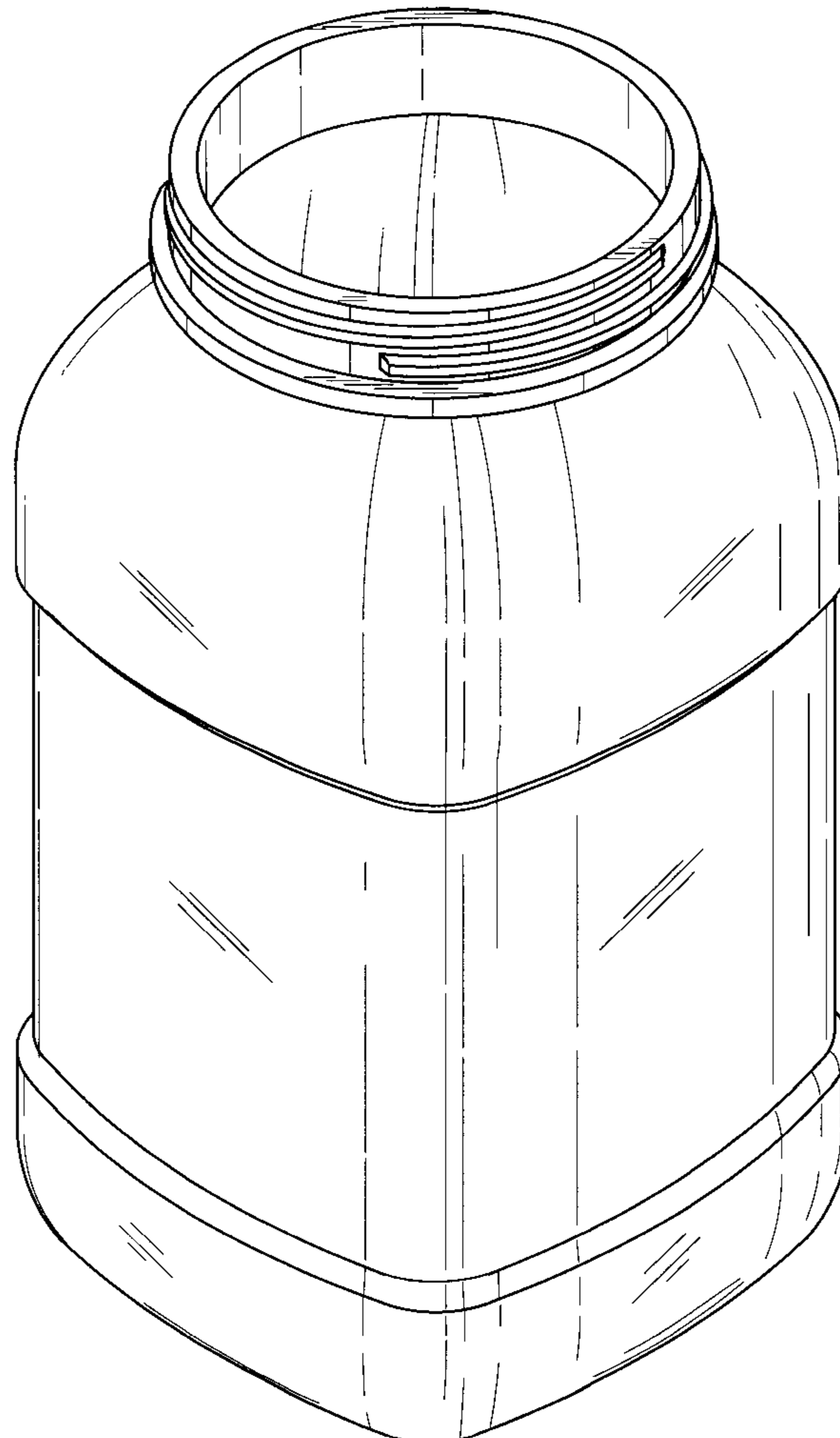
FIG. 4 is a right side elevational view of the new design of the present invention;

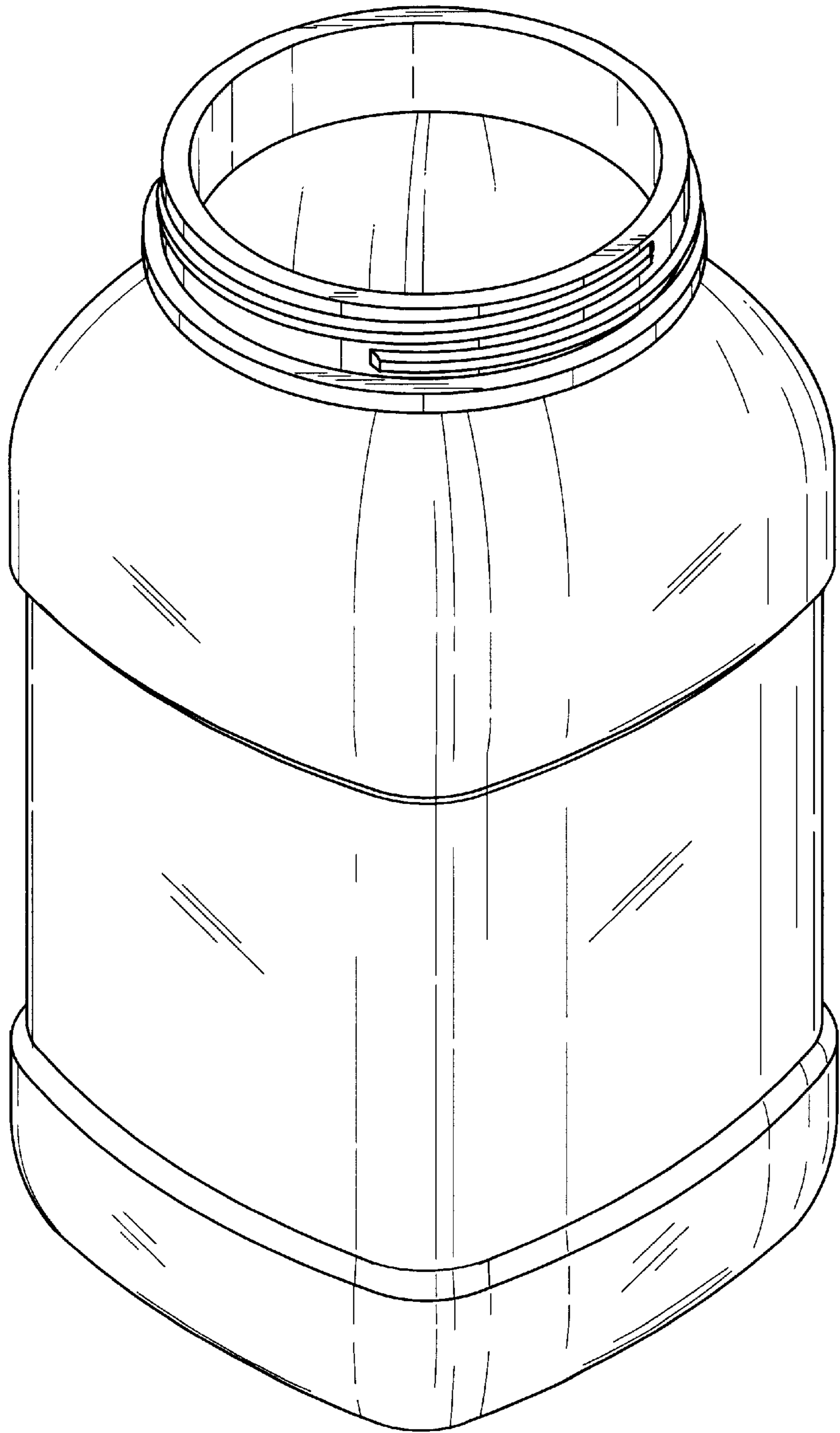
FIG. 5 is a left side elevational view of the new design of the present invention;

FIG. 6 is a top plan view of the new design of the present invention; and,

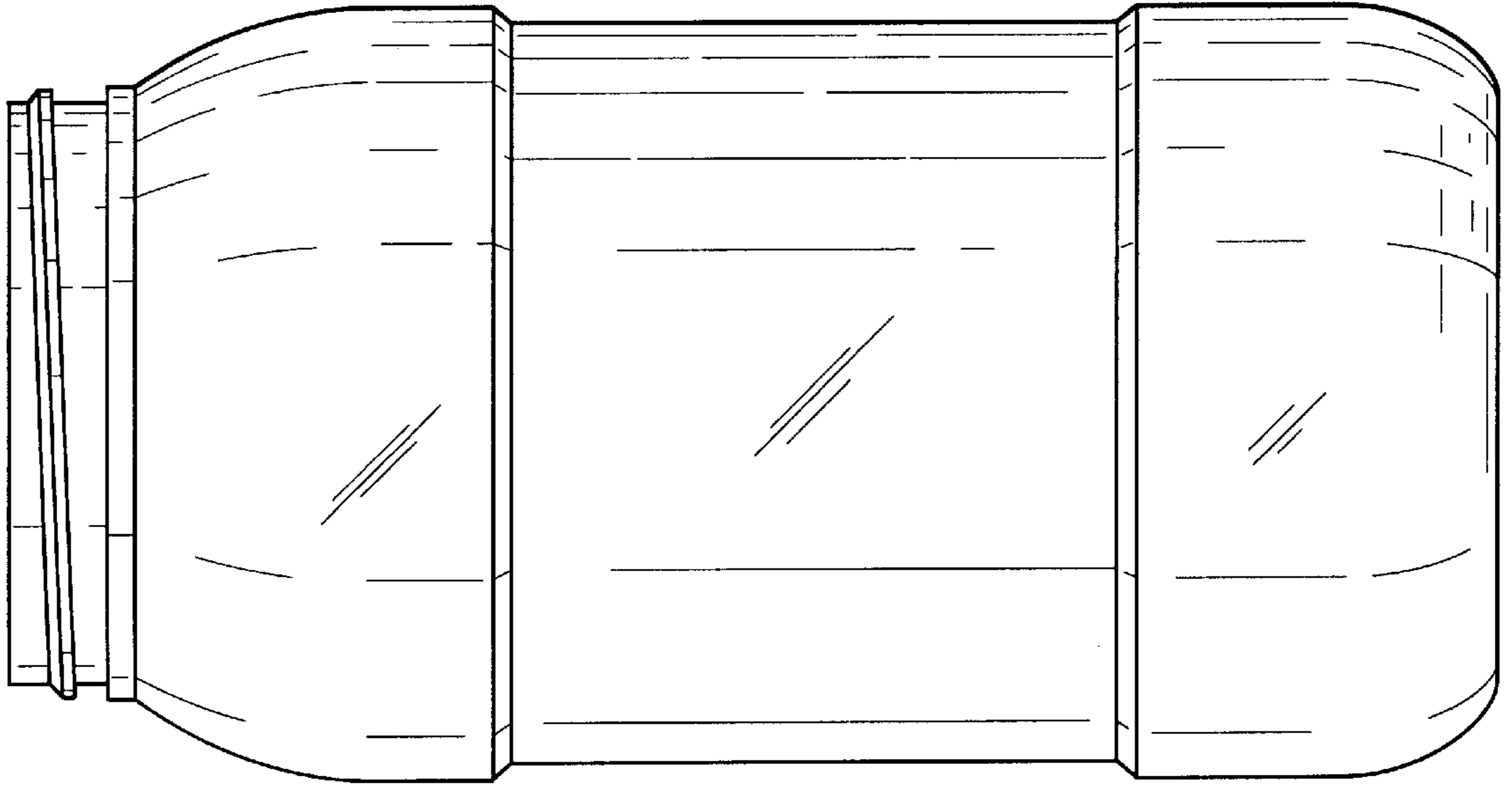
FIG. 7 is a bottom plan view of the new design of the present invention.

**1 Claim, 4 Drawing Sheets**



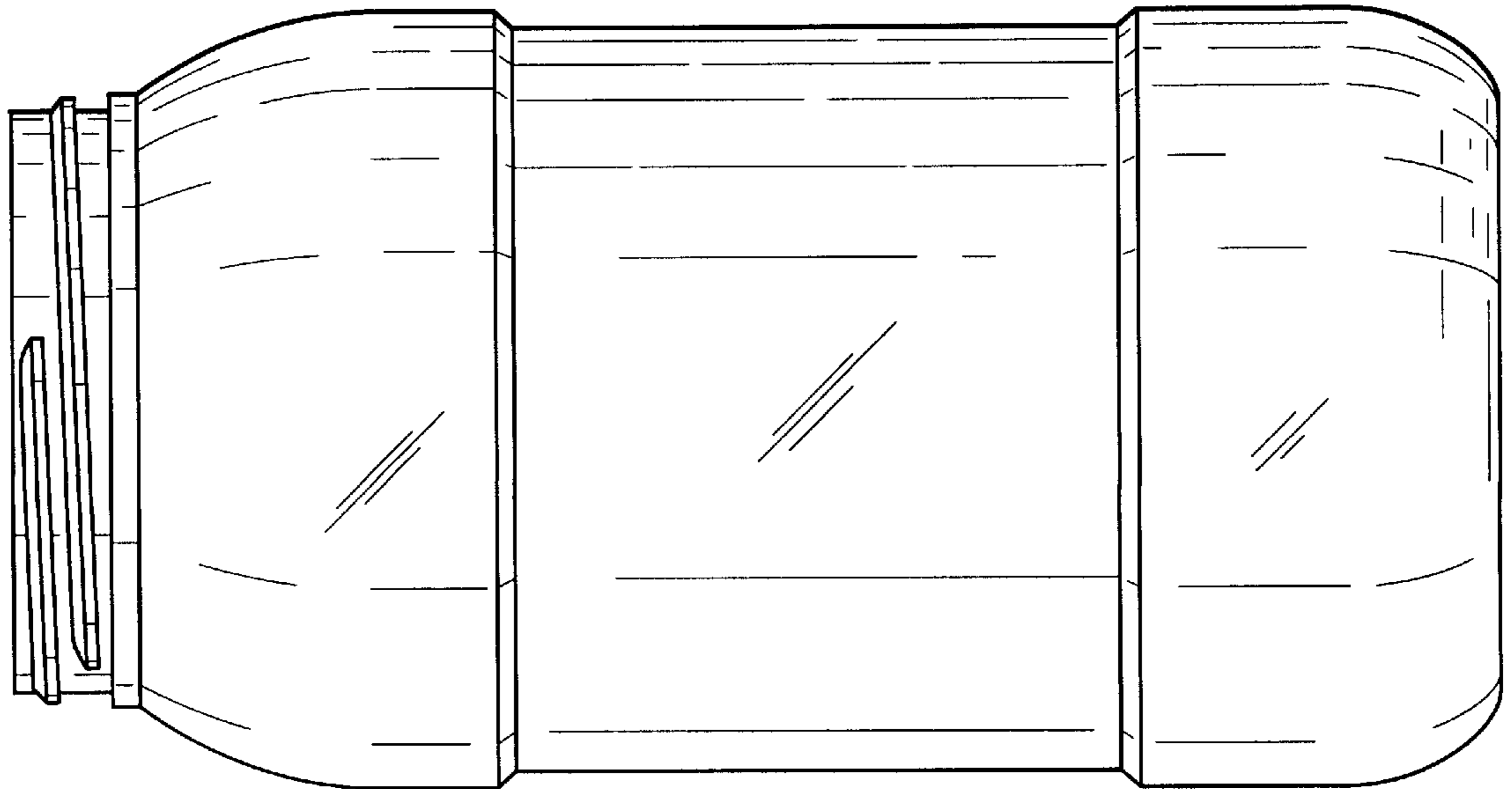


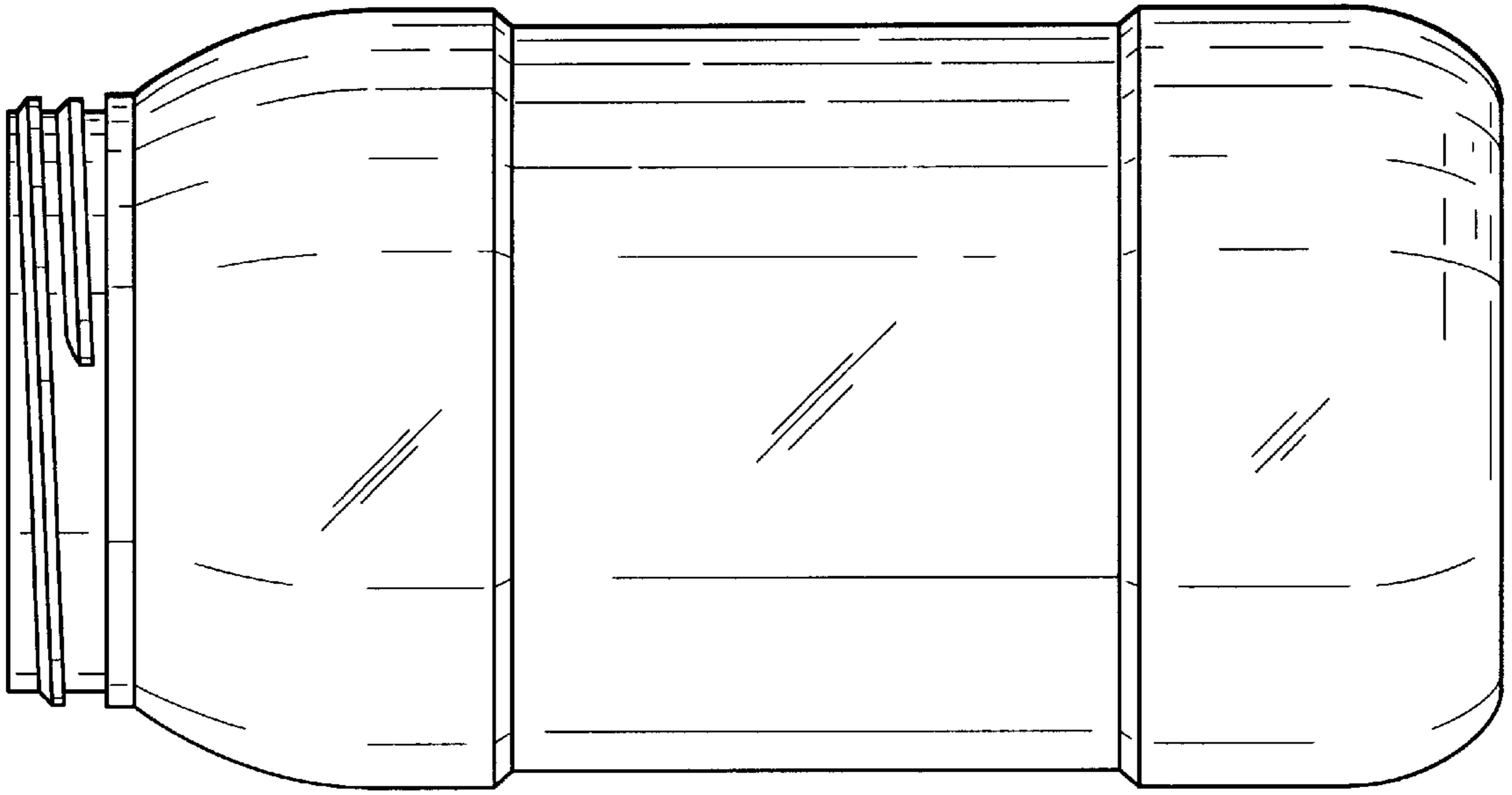
*Fig. 1*



*Fig. 2*

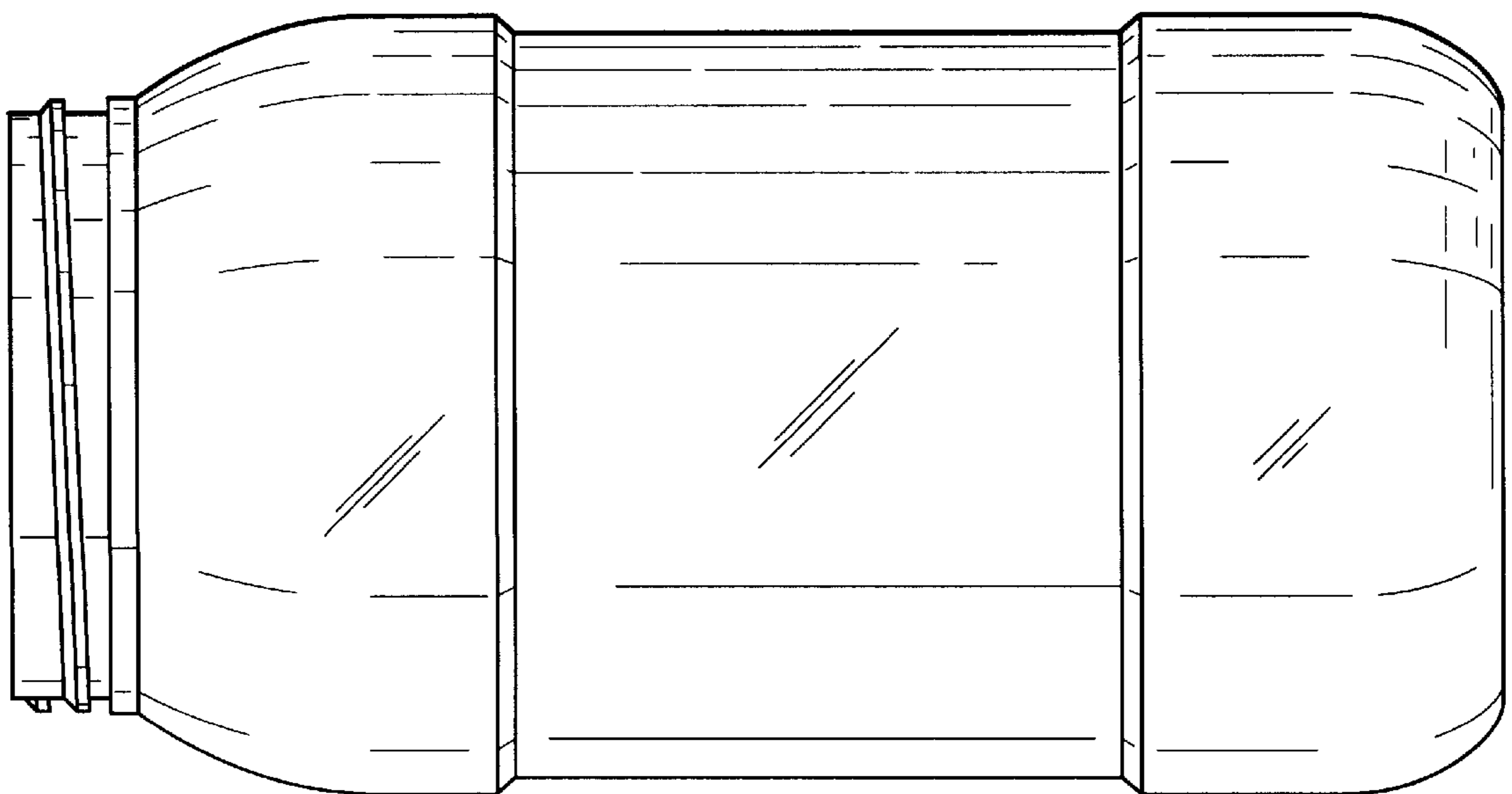
*Fig. 3*

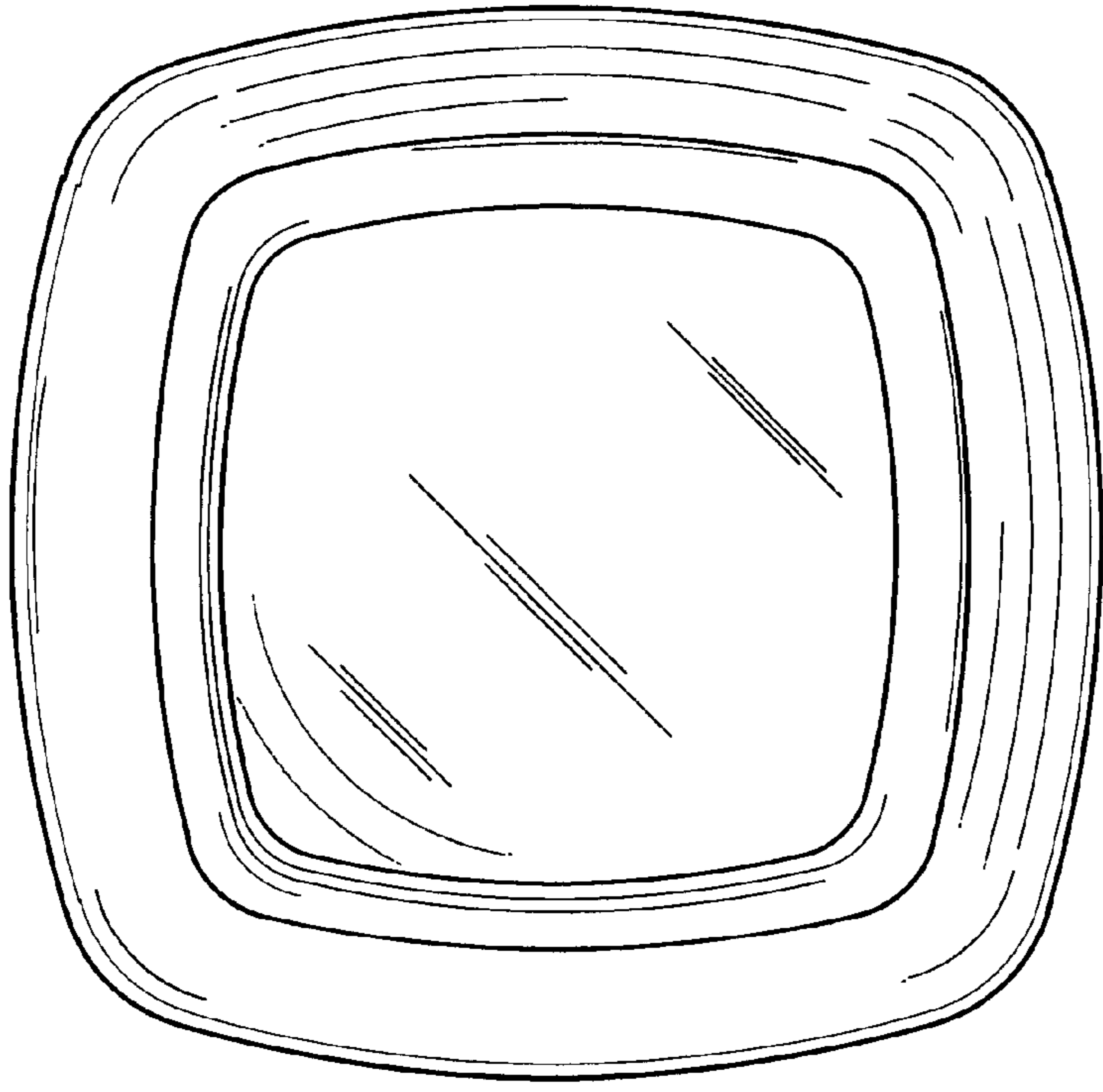




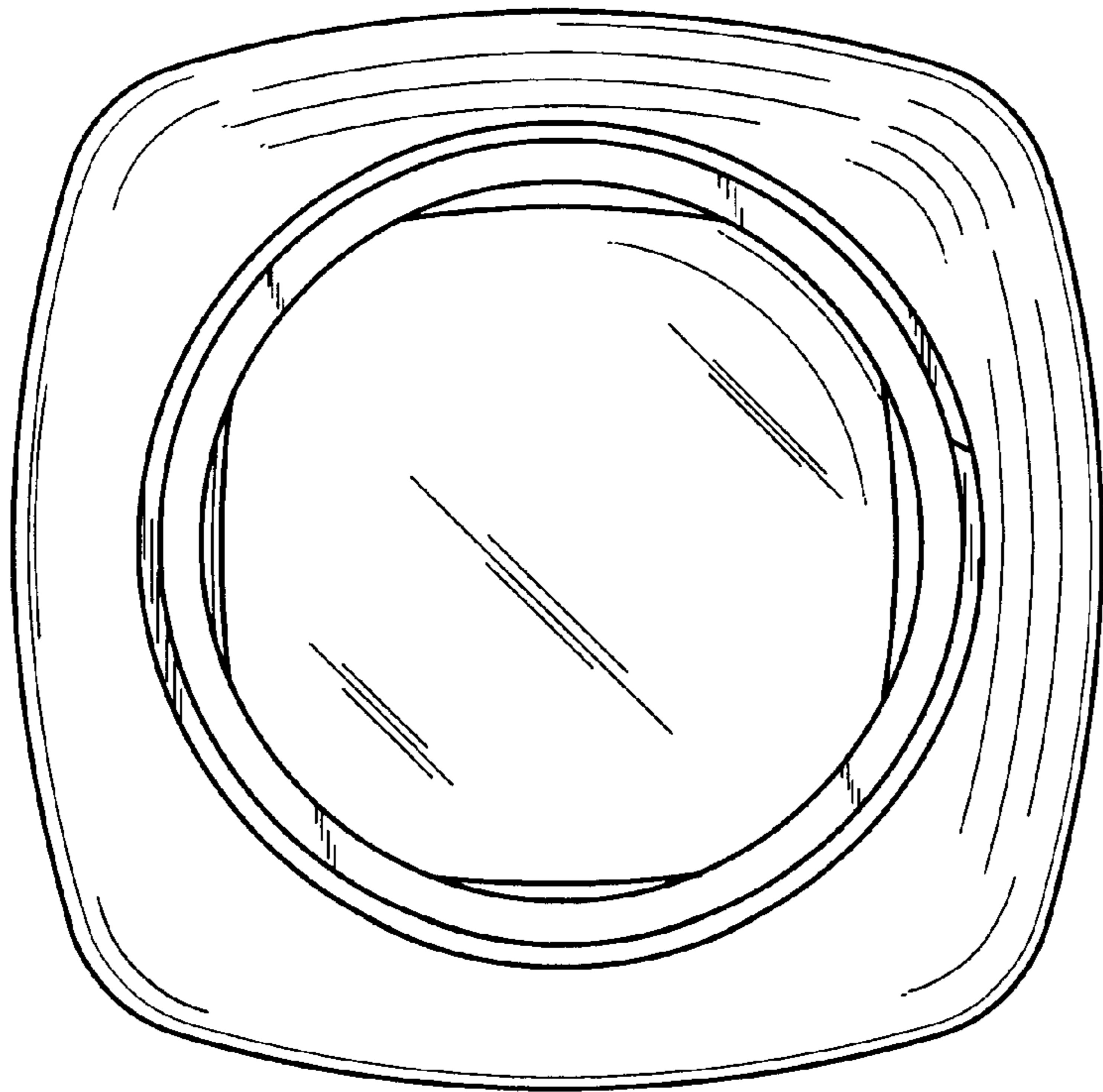
*Fig. 4*

*Fig. 5*





*Fig. 7*



*Fig. 6*