



US00D423363S

United States Patent [19]
Loughnane

[11] **Patent Number: Des. 423,363**

[45] **Date of Patent: ** Apr. 25, 2000**

[54] **COMBINED BOTTLE AND CAP**

5,649,648 7/1997 Lier et al. 222/212
5,803,268 9/1998 Levy et al. 206/581

[75] Inventor: **Cathal Loughnane**, Dublin, Ireland

Primary Examiner—Lucy Lieberman

[73] Assignee: **Glanmire Industries Limited**, Ireland

Attorney, Agent, or Firm—Piper Marbury Rudnick & Wolfe

[**] Term: **14 Years**

[57] **CLAIM**

[21] Appl. No.: **29/097,400**

The ornamental design for a combined bottle and cap, as shown and described.

[22] Filed: **Dec. 7, 1998**

DESCRIPTION

[51] **LOC (6) Cl.** **09-01**

FIG. 1 is a perspective view of a combined bottle and cap showing my new design;

[52] **U.S. Cl.** **D9/529; D9/539; D9/551**

FIG. 2 is a perspective view thereof shown in an exploded condition;

[58] **Field of Search** D9/529, 500, 503,
D9/504, 539, 551, 454; 215/382, 383, 384;
222/210–215

FIG. 3 is a front elevation of the combined bottle and cap, the rear elevation is the same;

[56] **References Cited**

FIG. 4 is a side elevational view thereof; the opposite side elevational view being identical thereto;

U.S. PATENT DOCUMENTS

- D. 189,373 11/1960 Lerner D9/539
- D. 329,983 10/1992 Griffin et al. D9/504
- D. 337,939 8/1993 Smith, Jr. D9/539
- D. 345,918 4/1994 Chevassus D9/529
- D. 368,220 3/1996 Bicknell et al. D9/529

FIG. 5 is a top plan view thereof; and,

FIG. 6 is a bottom plan view thereof.

The broken lines shown in FIG. 2 are for illustrative purposes only and do not form part of the claimed design.

1 Claim, 2 Drawing Sheets

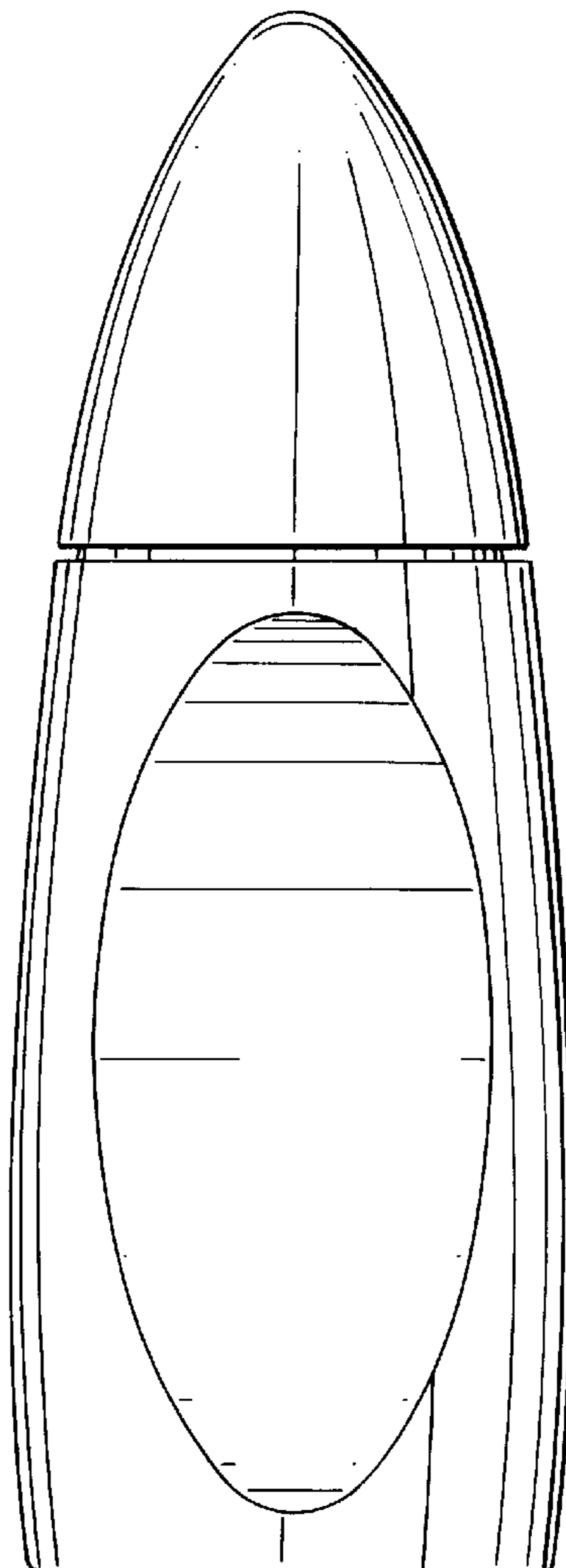


FIG. 1

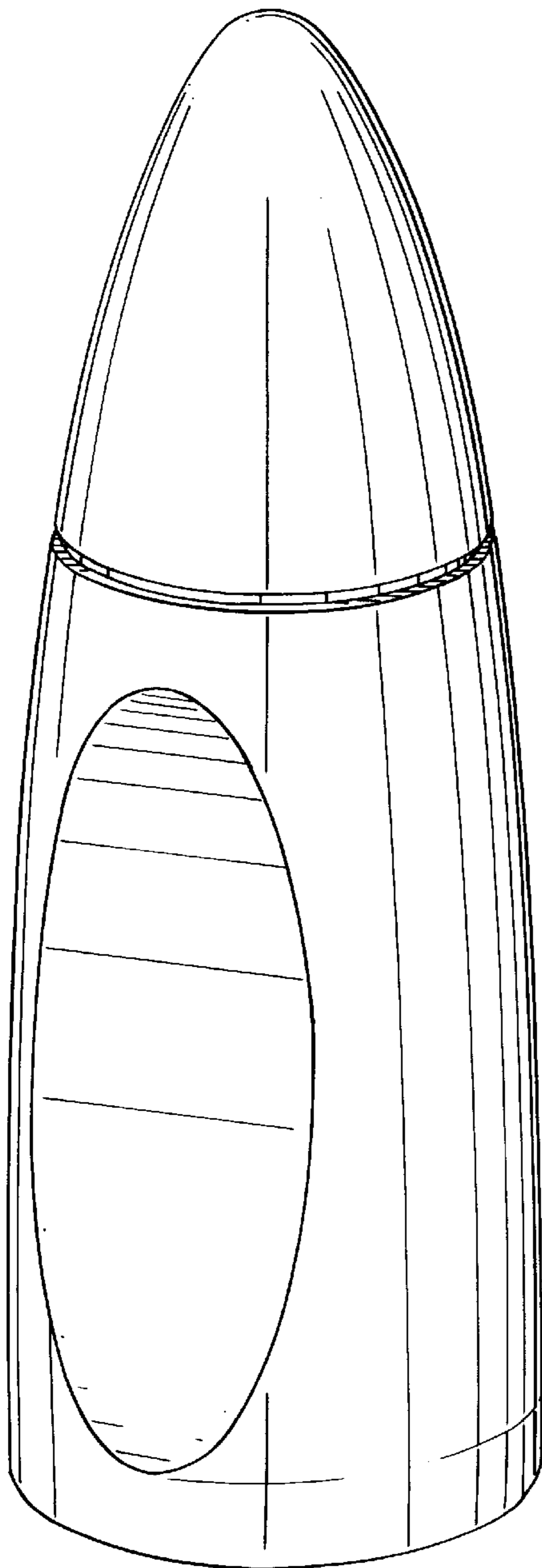


FIG. 2

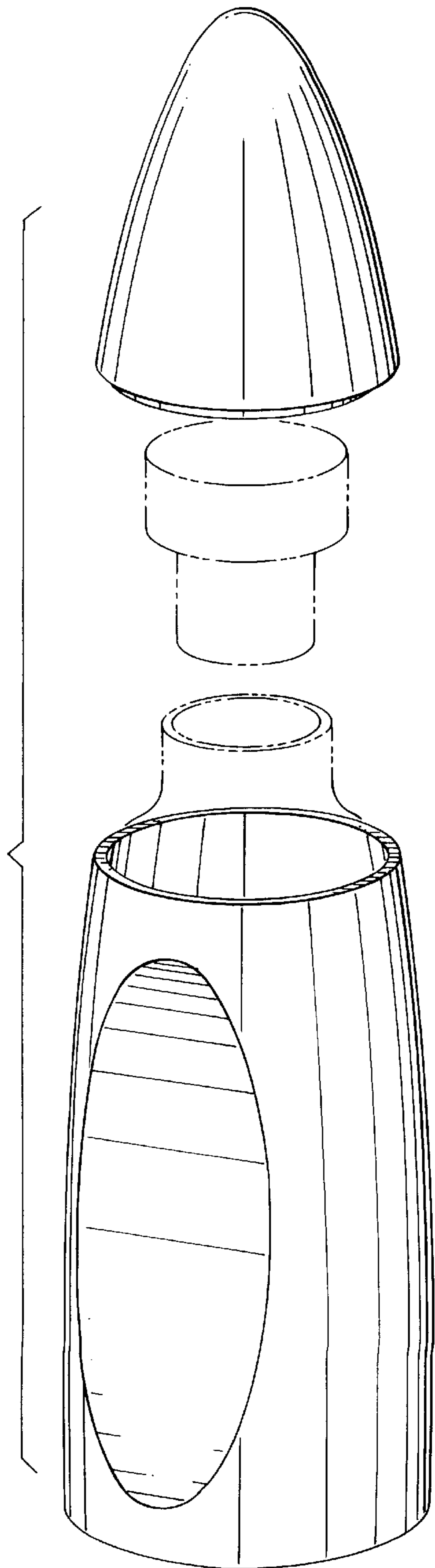


FIG. 5

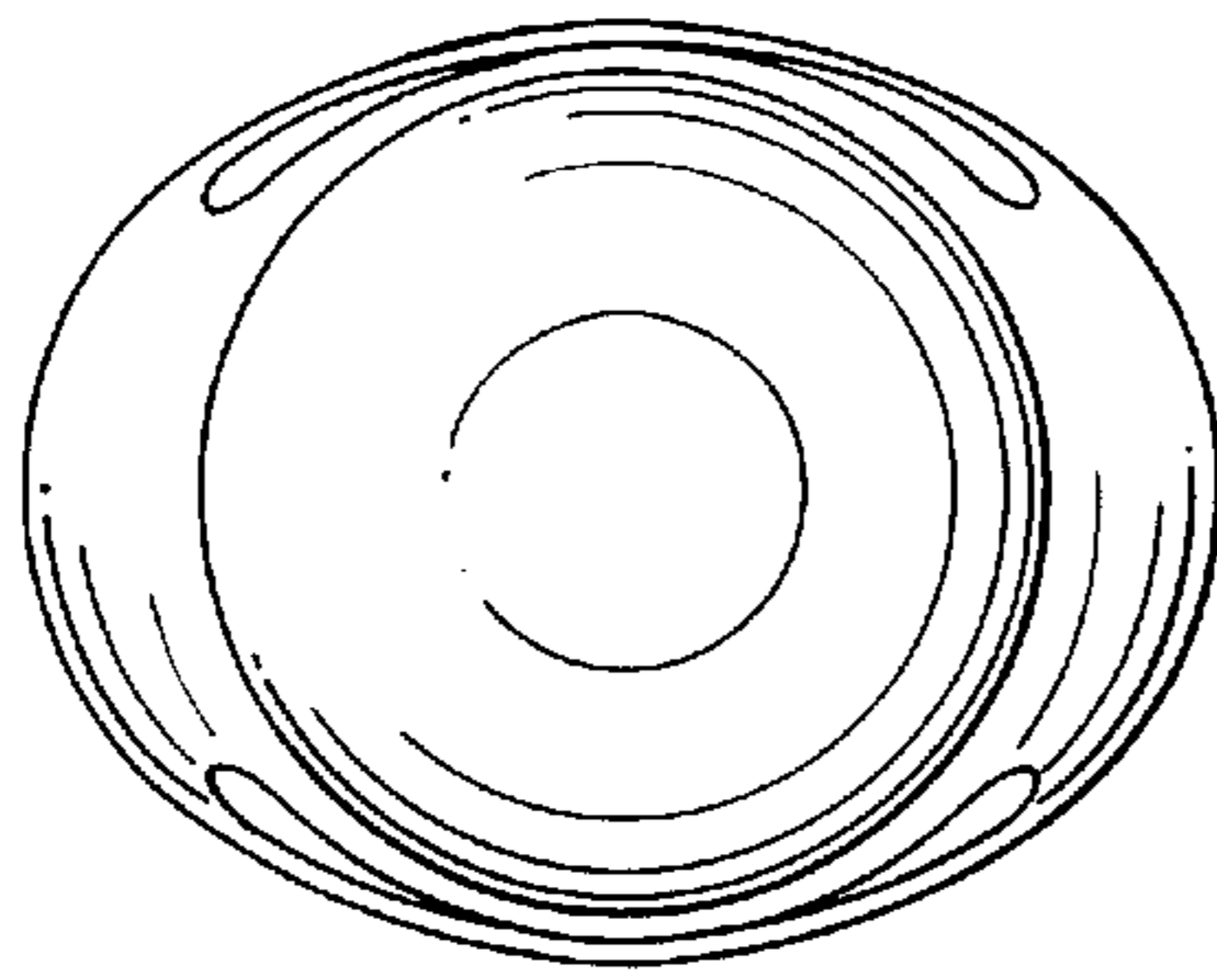


FIG. 3

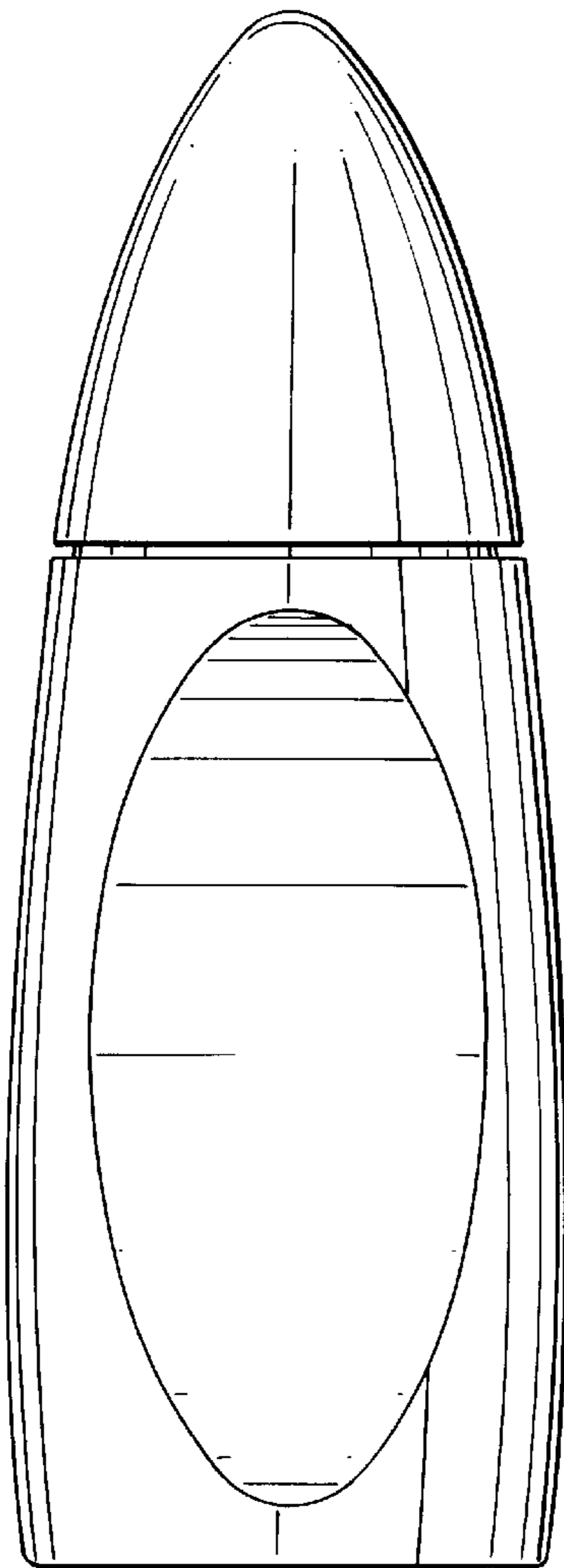


FIG. 4

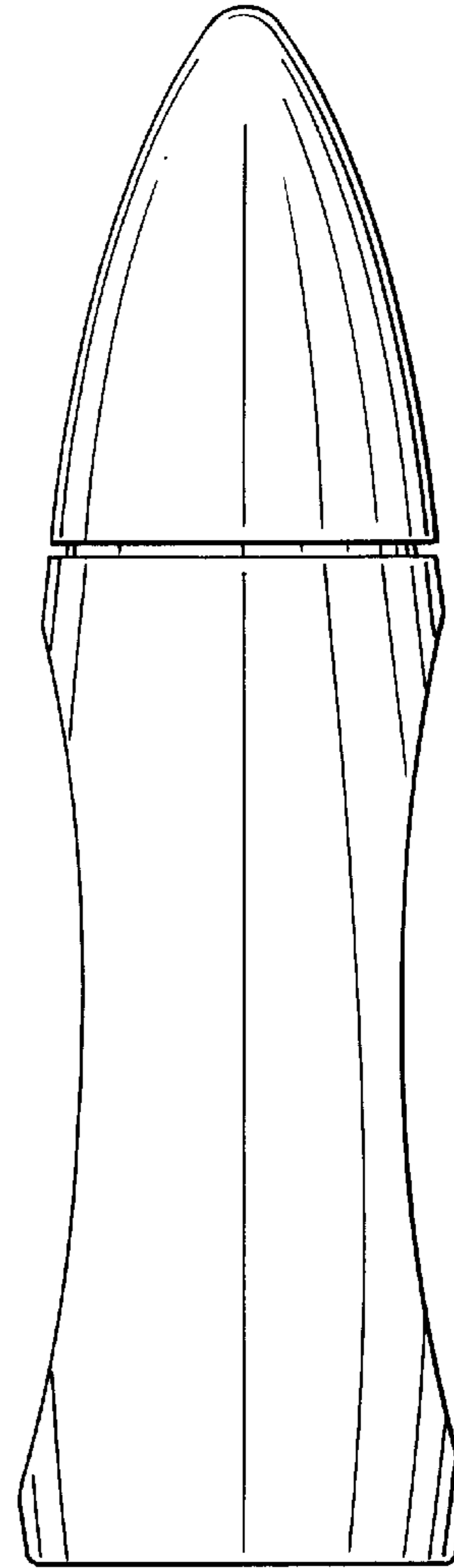


FIG. 6

