



US00D423358S

United States Patent [19]
Kreiseder

[11] **Patent Number: Des. 423,358**
[45] **Date of Patent: ** Apr. 25, 2000**

[54] **TWIST TOP CLOSURE**
[75] **Inventor: Walter J. Kreiseder**, Barrington, Ill.
[73] **Assignee: Creative Packaging Corp.**, Buffalo Grove, Ill.
[**] **Term: 14 Years**
[21] **Appl. No.: 29/110,168**
[22] **Filed: Sep. 1, 1999**

3,326,402 6/1967 Randazzo .
5,145,094 9/1992 Perlmutter .
5,429,282 7/1995 Stebick .
5,456,374 10/1995 Beck .
5,465,876 11/1995 Crisci .
5,657,906 8/1997 Rapchak et al. .
5,662,247 9/1997 Rapchak et al. .

Primary Examiner—Cathron B. Matta
Attorney, Agent, or Firm—Silverman, Cass & Singer, Ltd.

Related U.S. Application Data

[62] Division of application No. 29/095,517, Oct. 26, 1998.
[51] **LOC (6) Cl. 09-07**
[52] **U.S. Cl. D9/449; D9/450**
[58] **Field of Search D9/435, 436, 440, D9/447, 449, 450, 452, 453; D7/510, 511, 629, 392, 396.2; 220/711, 713, 714, 715; 222/153.1, 520, 521, 525, 541.9, 548**

[57] **CLAIM**

The ornamental design for a twist top closure, as shown and described.

DESCRIPTION

FIG. 1 is a perspective view of a twist top closure showing my new design, the same being shown in closed configuration with the upper cap portion positioned adjacent to the lower base portion;
FIG. 2 is a top plan view thereof;
FIG. 3 is a front elevation view thereof, the rear elevational being a mirror image;
FIG. 4 is a right side elevation view thereof, the left side elevation being a mirror image; and,
FIG. 5 is a perspective view thereof with the same being shown in open configuration with the upper cap portion moved to raised position with respect to the lower base portion.
The bottom and interior of the twist top closure form no part of the claimed design.

[56] **References Cited**

U.S. PATENT DOCUMENTS

D. 278,311 4/1985 Brown et al. .
D. 306,701 3/1990 Beck .
D. 319,588 9/1991 Beck .
D. 323,461 1/1992 Beck .
D. 323,462 1/1992 Beck .
D. 324,175 2/1992 Beck .
D. 358,295 5/1995 Moench .
D. 398,851 9/1998 Gaiser et al. .

1 Claim, 1 Drawing Sheet

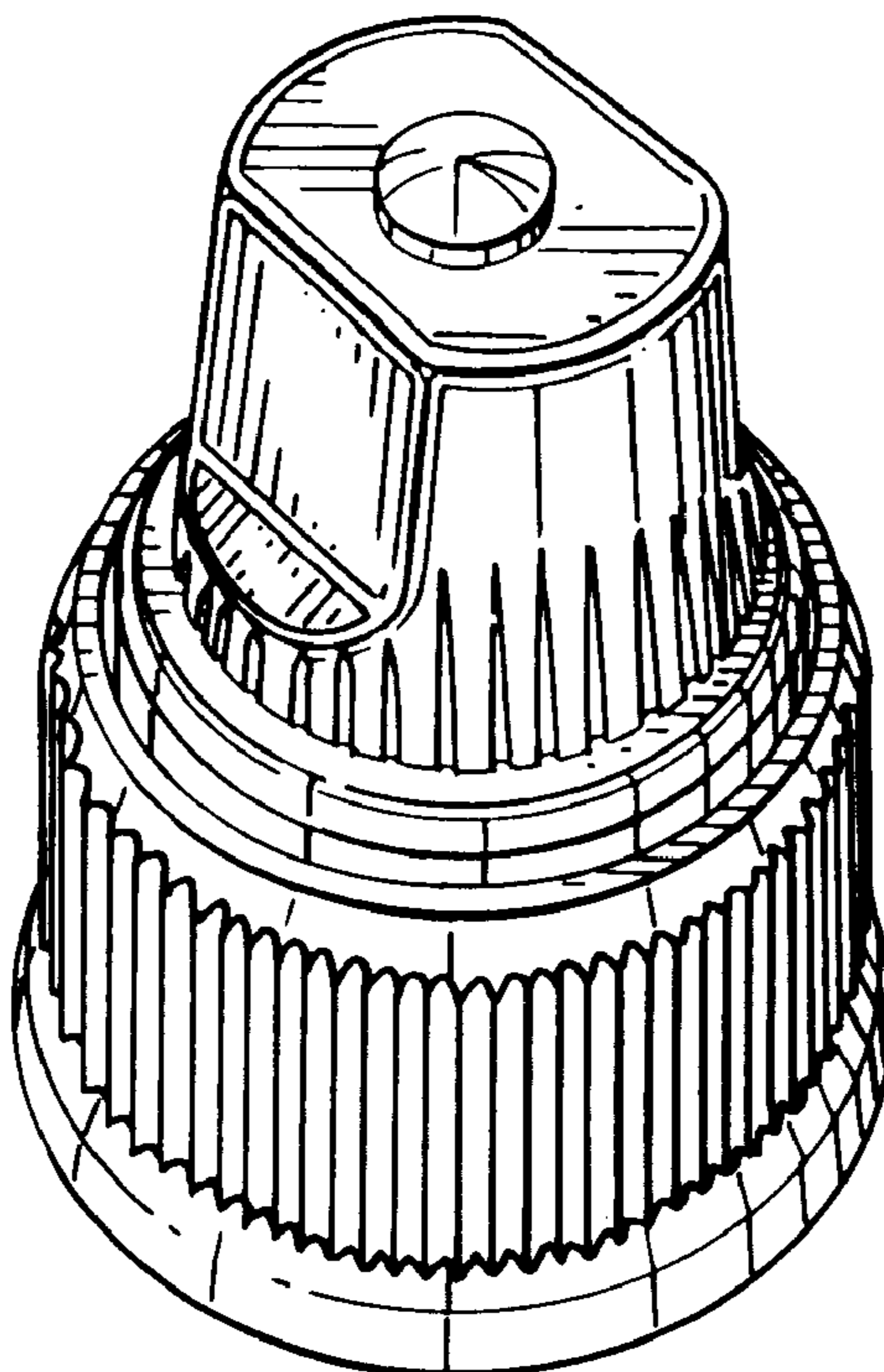


FIG. 1

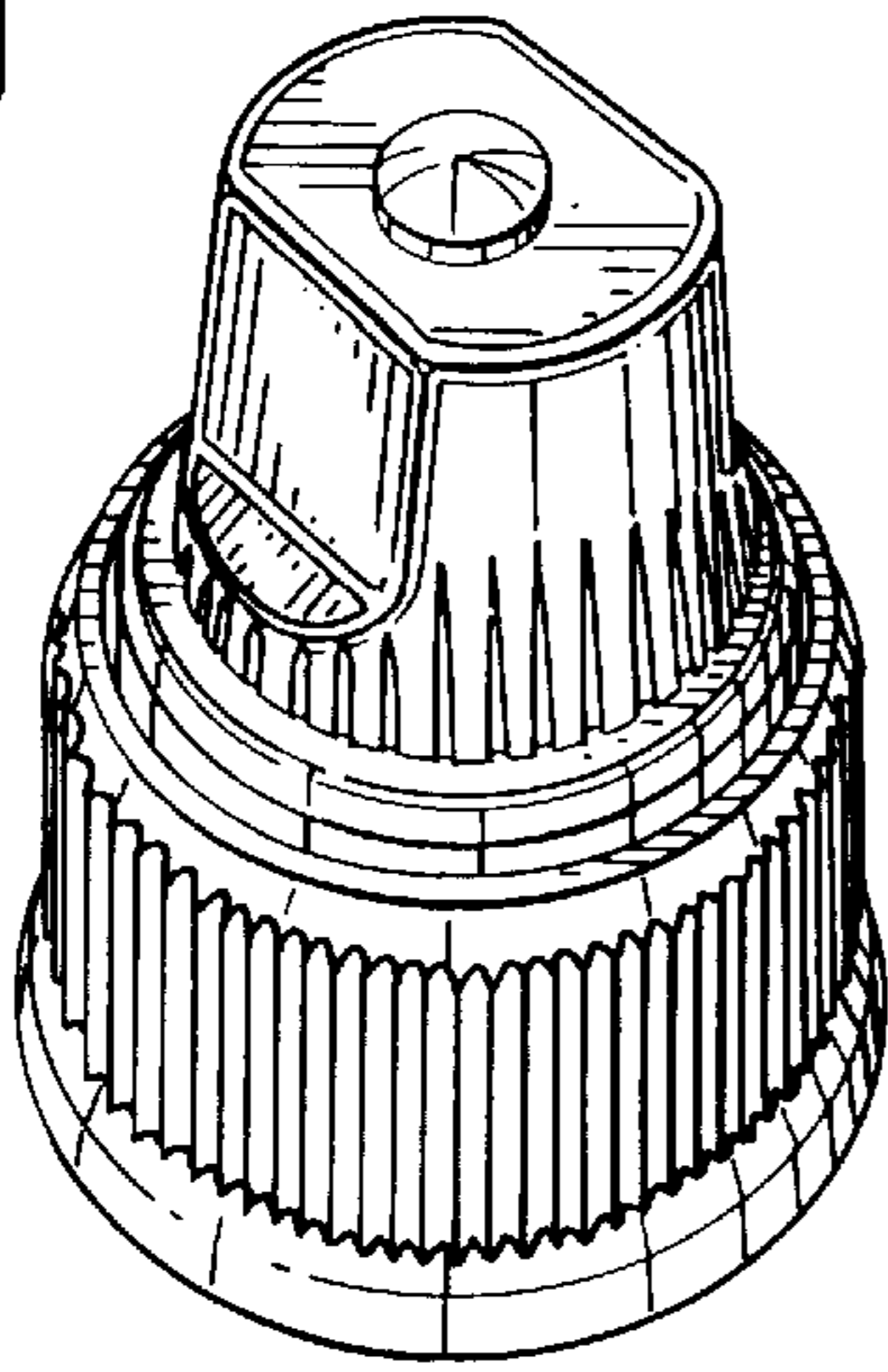


FIG. 2

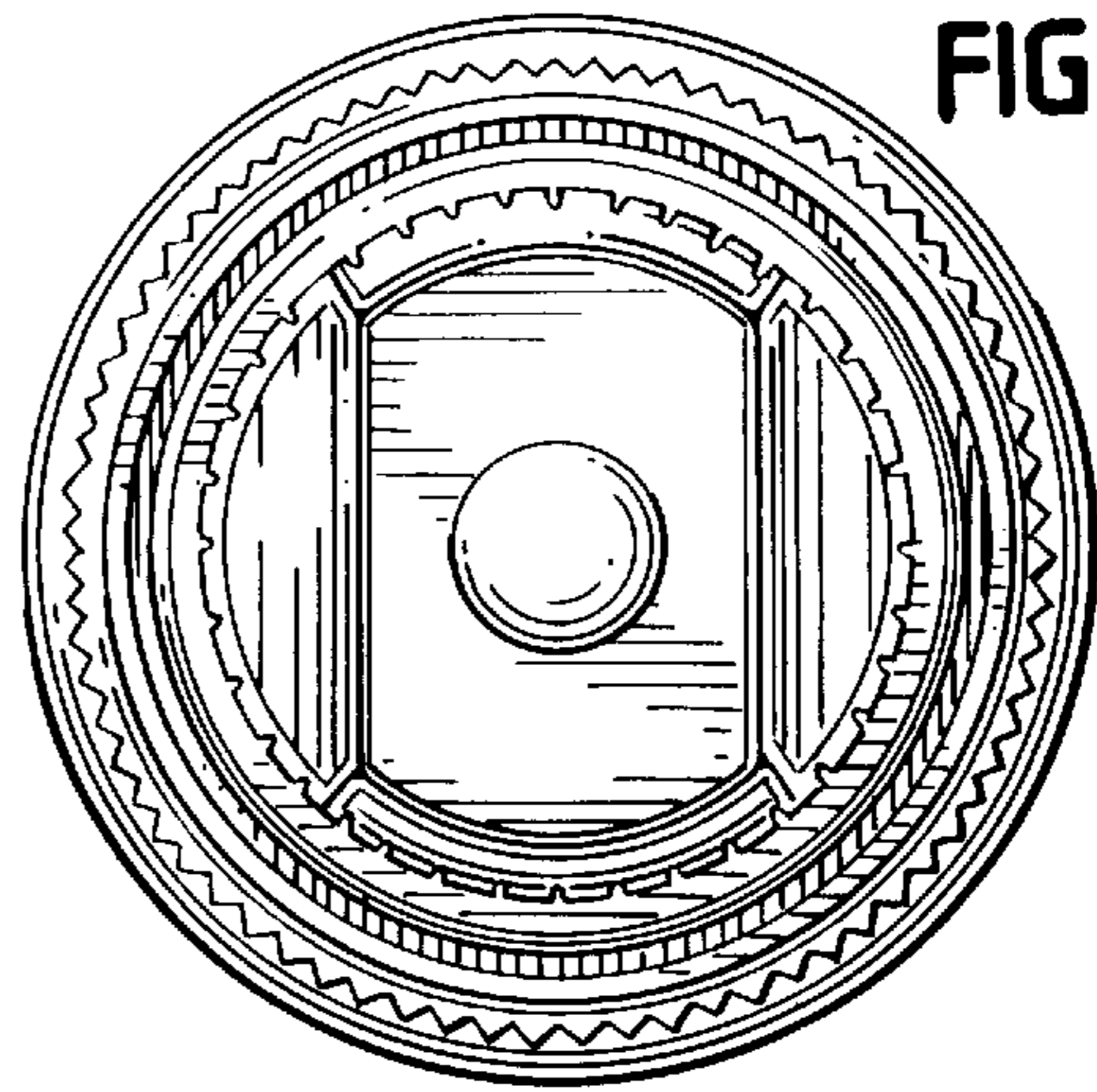


FIG. 3

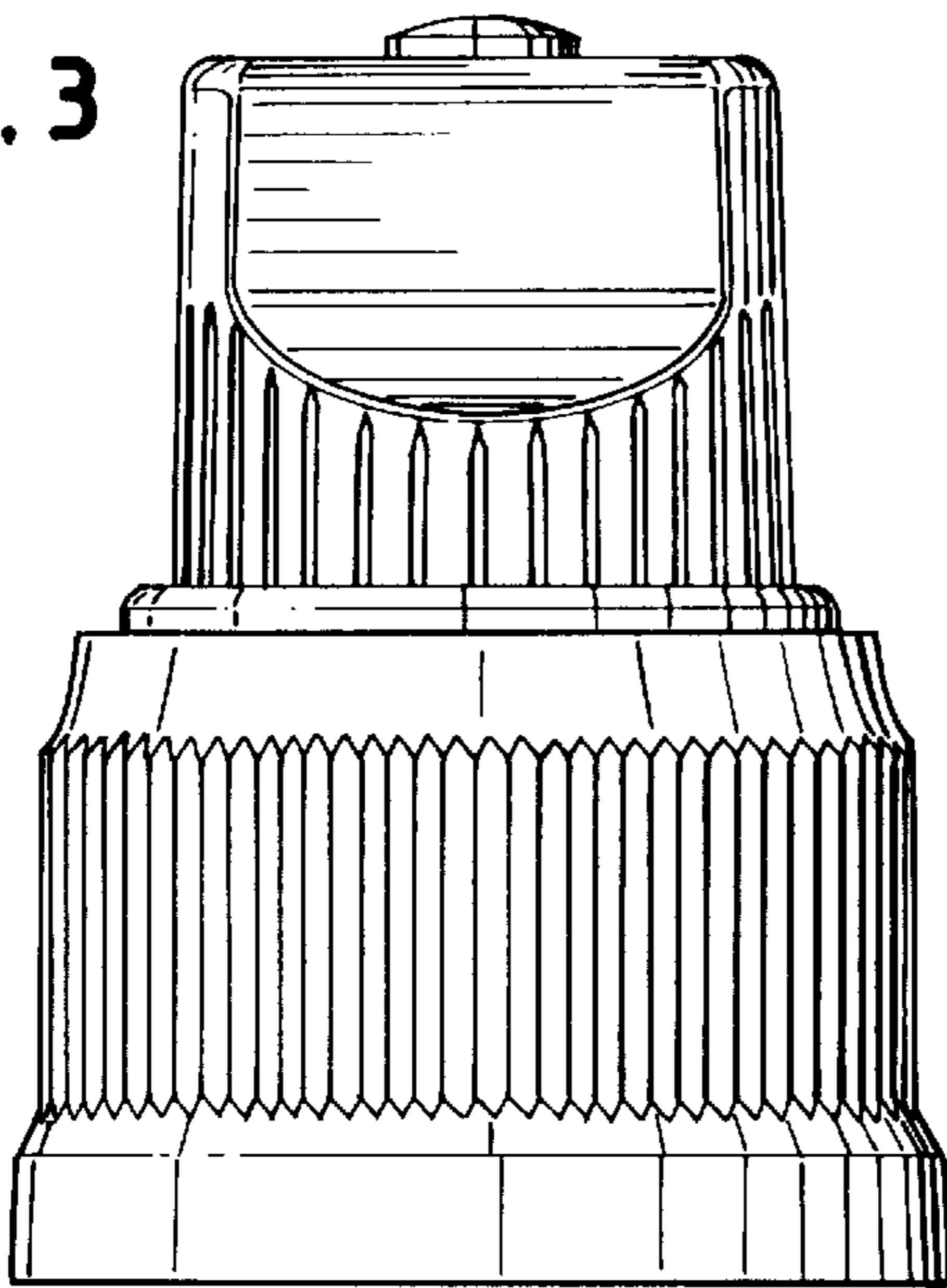


FIG. 4

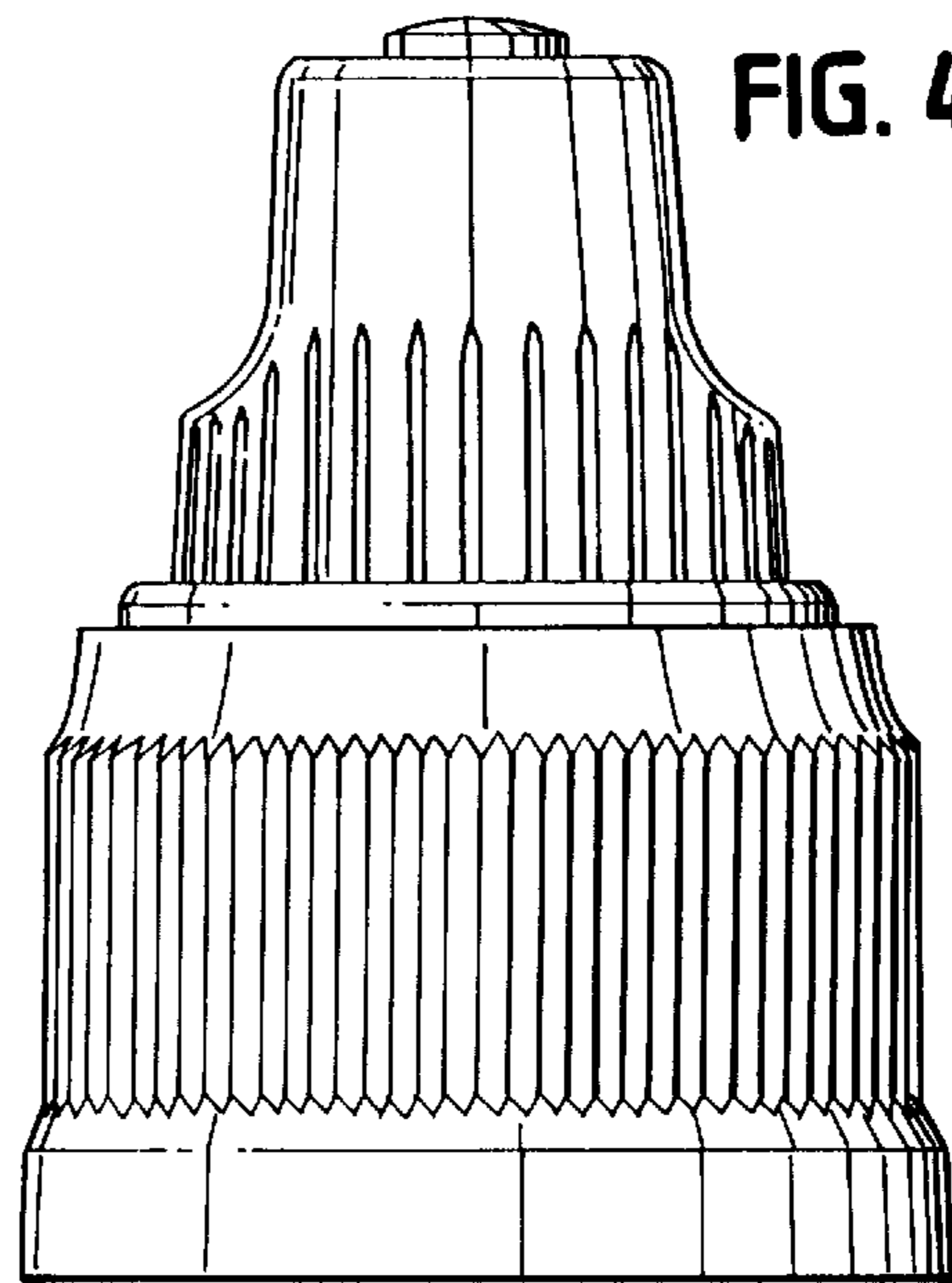


FIG. 5

