



US00D423357S

United States Patent [19]

Chrisco et al.

[11] Patent Number: **Des. 423,357**

[45] Date of Patent: **** Apr. 25, 2000**

[54] **ROTATING SPOUT FOR LIQUID CONTAINERS**

4,946,079 8/1990 Campbell 222/484
5,165,578 11/1992 Laible 222/481 X
5,873,478 2/1999 Sullivan et al. 215/389

[75] Inventors: **Larry L. Chrisco**, Fairland; **Charles L. Forbis**, Quapaw, both of Okla.

Primary Examiner—Cathron B. Matta
Attorney, Agent, or Firm—Hovey, Williams, Timmons & Collins

[73] Assignee: **Blitz U.S.A., Inc.**, Miami, Okla.

[**] Term: **14 Years**

[57] CLAIM

[21] Appl. No.: **29/106,243**

The ornamental design for a rotating spout for liquid containers, as shown and described.

[22] Filed: **Jun. 14, 1999**

DESCRIPTION

[51] **LOC (6) Cl.** **09-07**

[52] **U.S. Cl.** **D9/449; D7/510**

[58] **Field of Search** D9/440, 447, 449, D9/450; D7/510, 511, 392, 396.2, 397, 398; 215/388, 389; 220/705, 707, 709; 222/484, 522, 525, 548

FIG. 1 is a perspective view of our new design, showing the spout in the open position;

FIG. 2 is a top plan view showing the spout in a closed position;

FIG. 3 is a rear elevational view with the spout in a closed position;

FIG. 4 is a front elevational view with the spout in an open position; and,

FIG. 5 is a side elevational view with the spout in a closed position.

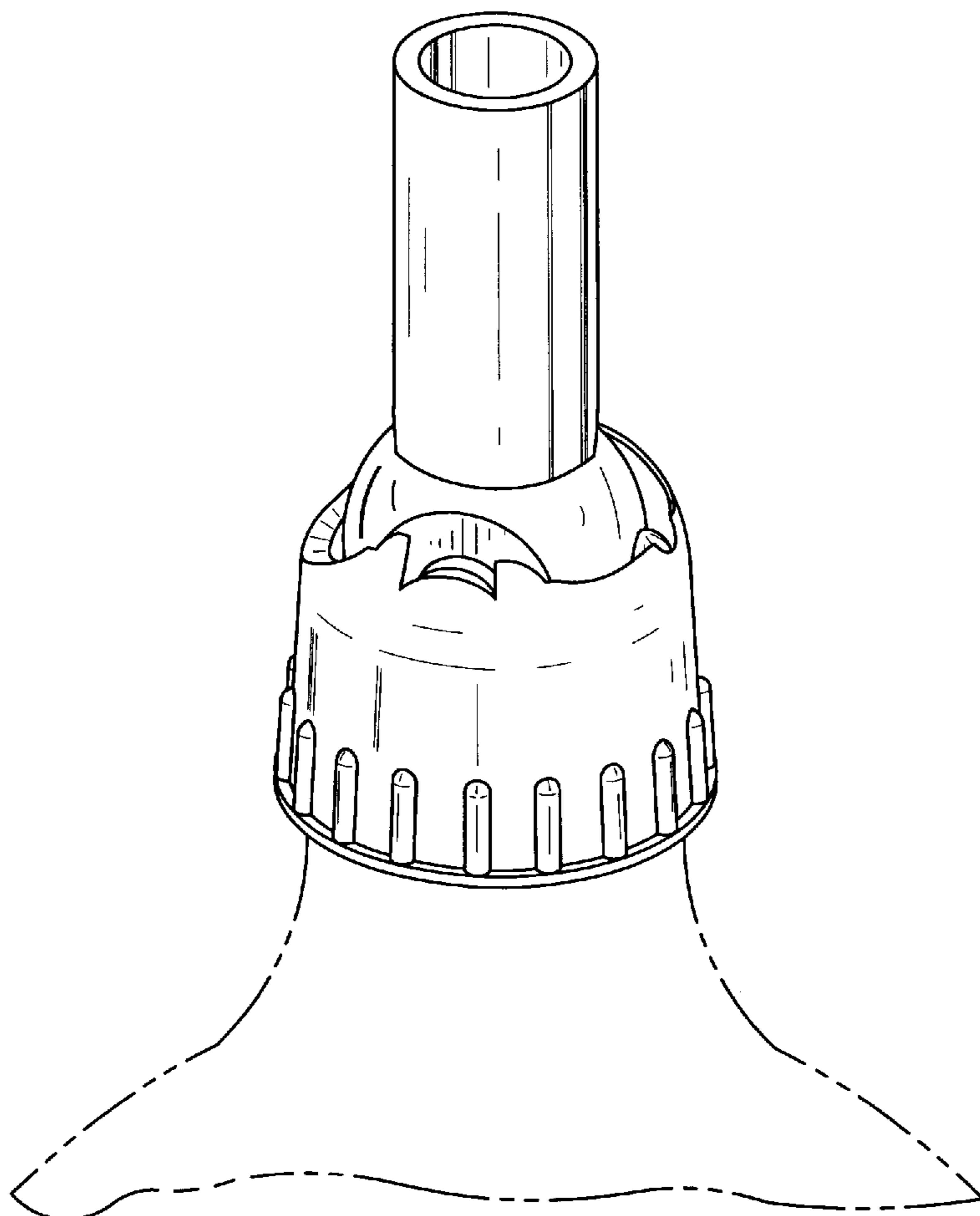
The broken line showing of a container neck is for illustrative purposes only and forms no part of the claimed design.

[56] References Cited

U.S. PATENT DOCUMENTS

D. 351,761 10/1994 Feer D7/510
D. 358,295 5/1995 Moench D9/447 X
D. 369,943 5/1996 Dark D7/392.1
D. 387,621 12/1997 Sullivan et al. D7/510

1 Claim, 1 Drawing Sheet



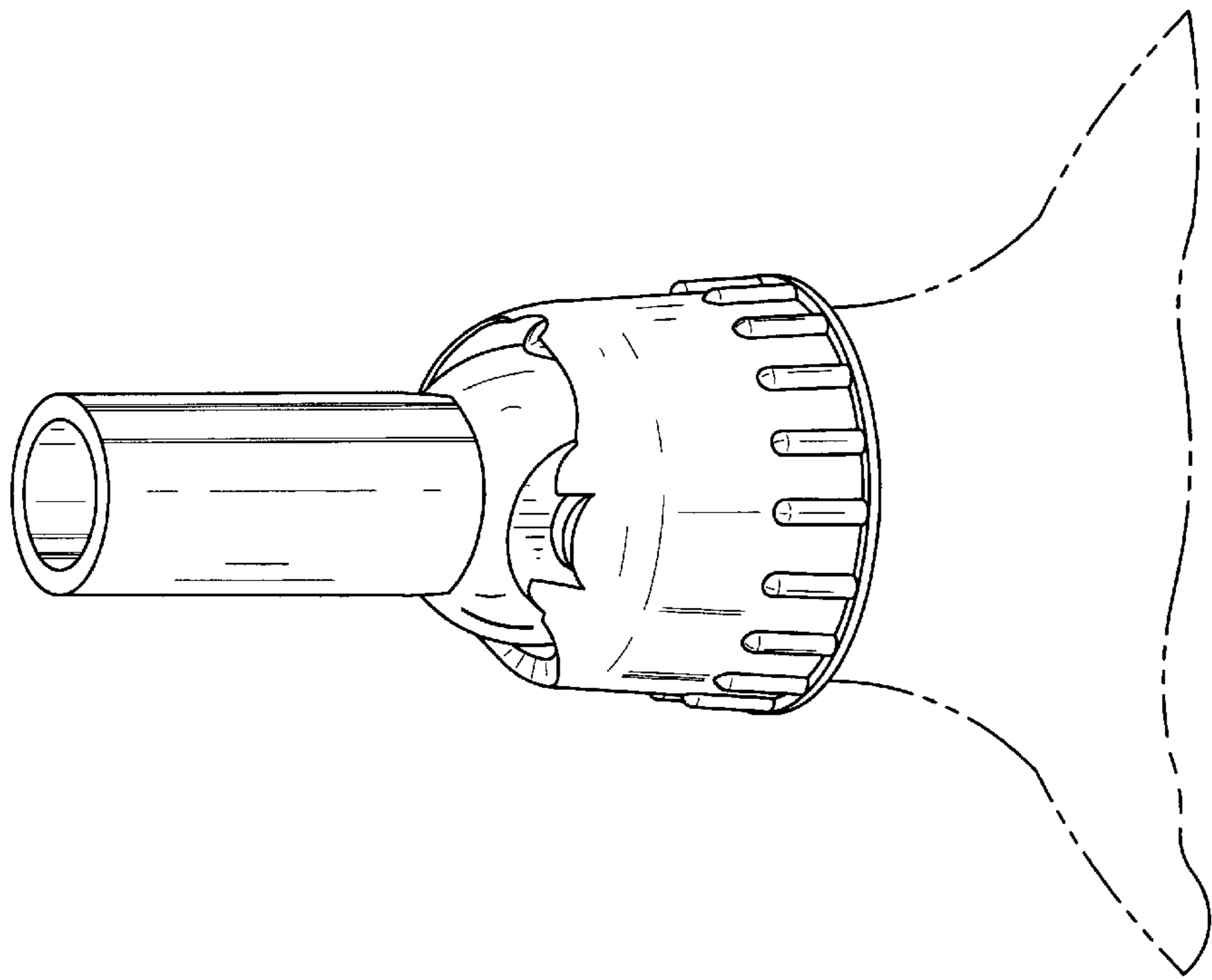


Fig. 1.

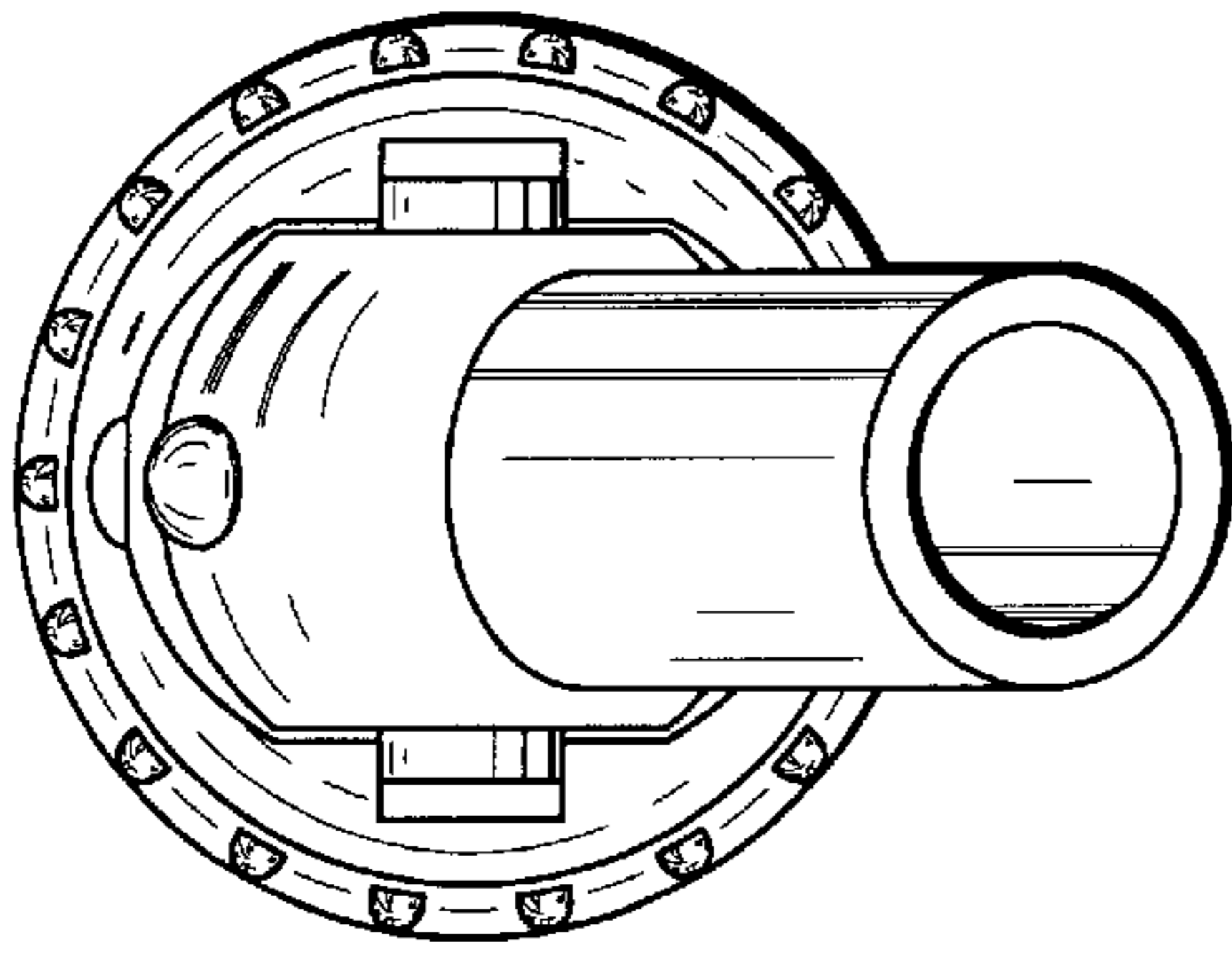


Fig. 2.

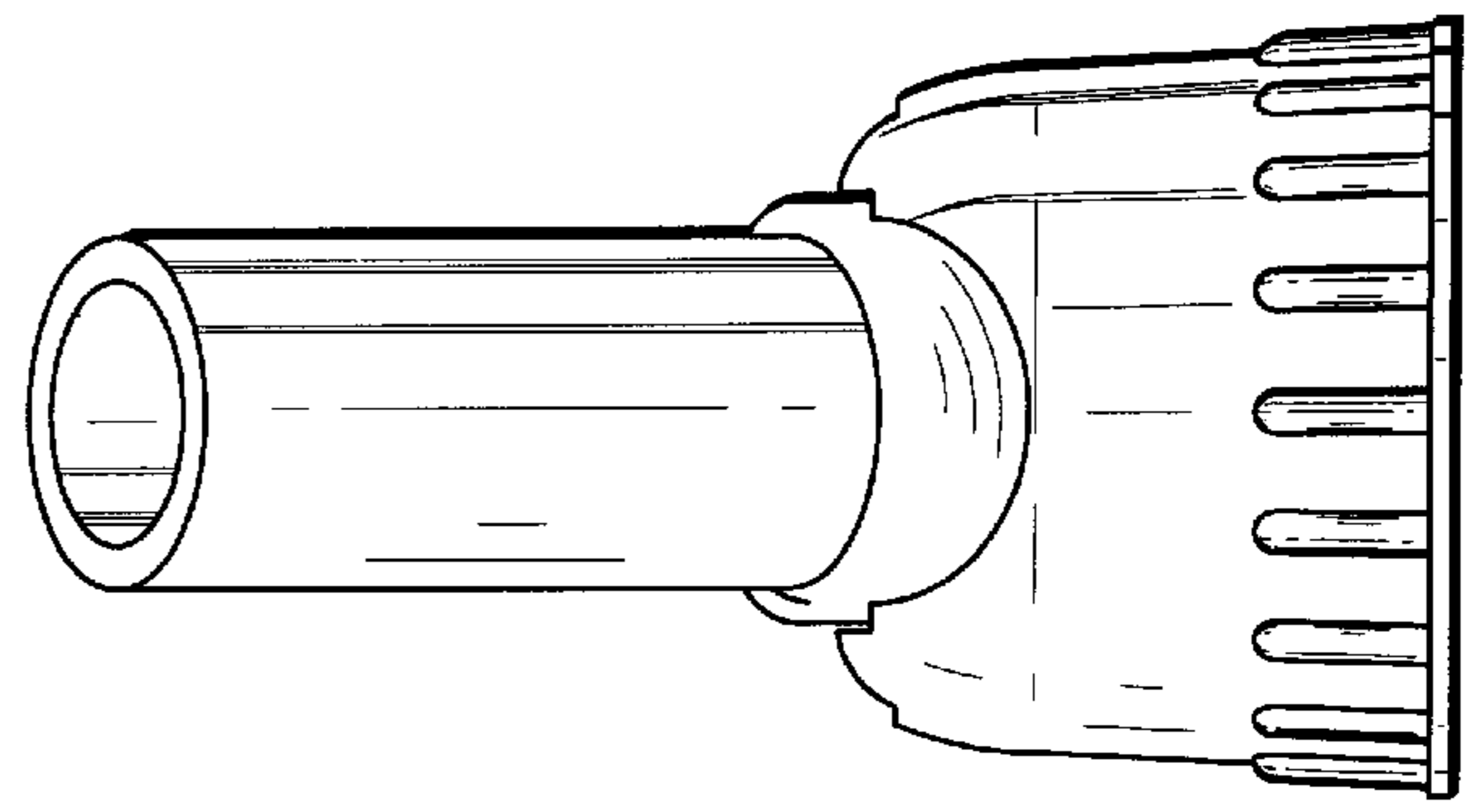


Fig. 3.

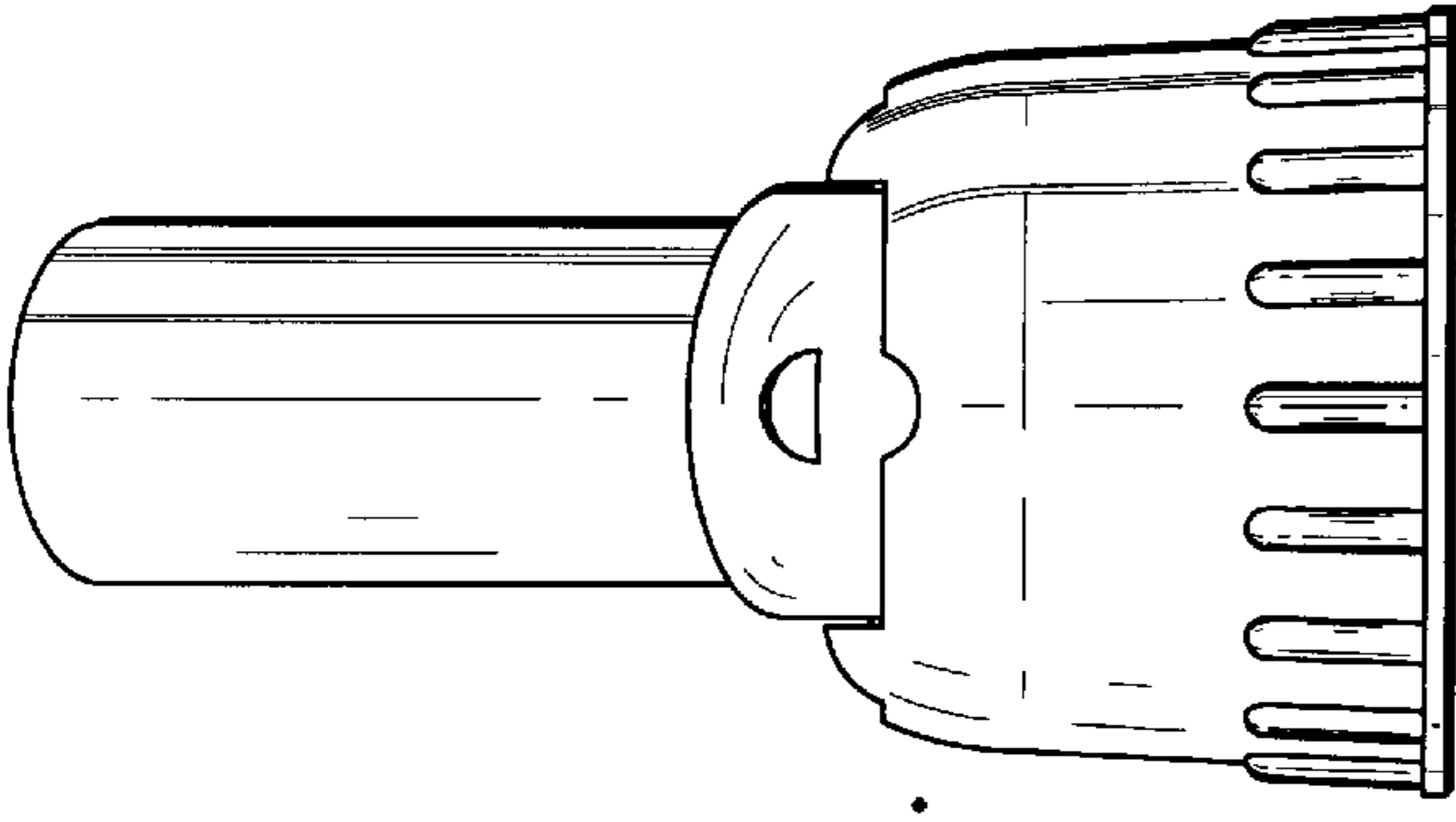


Fig. 4.

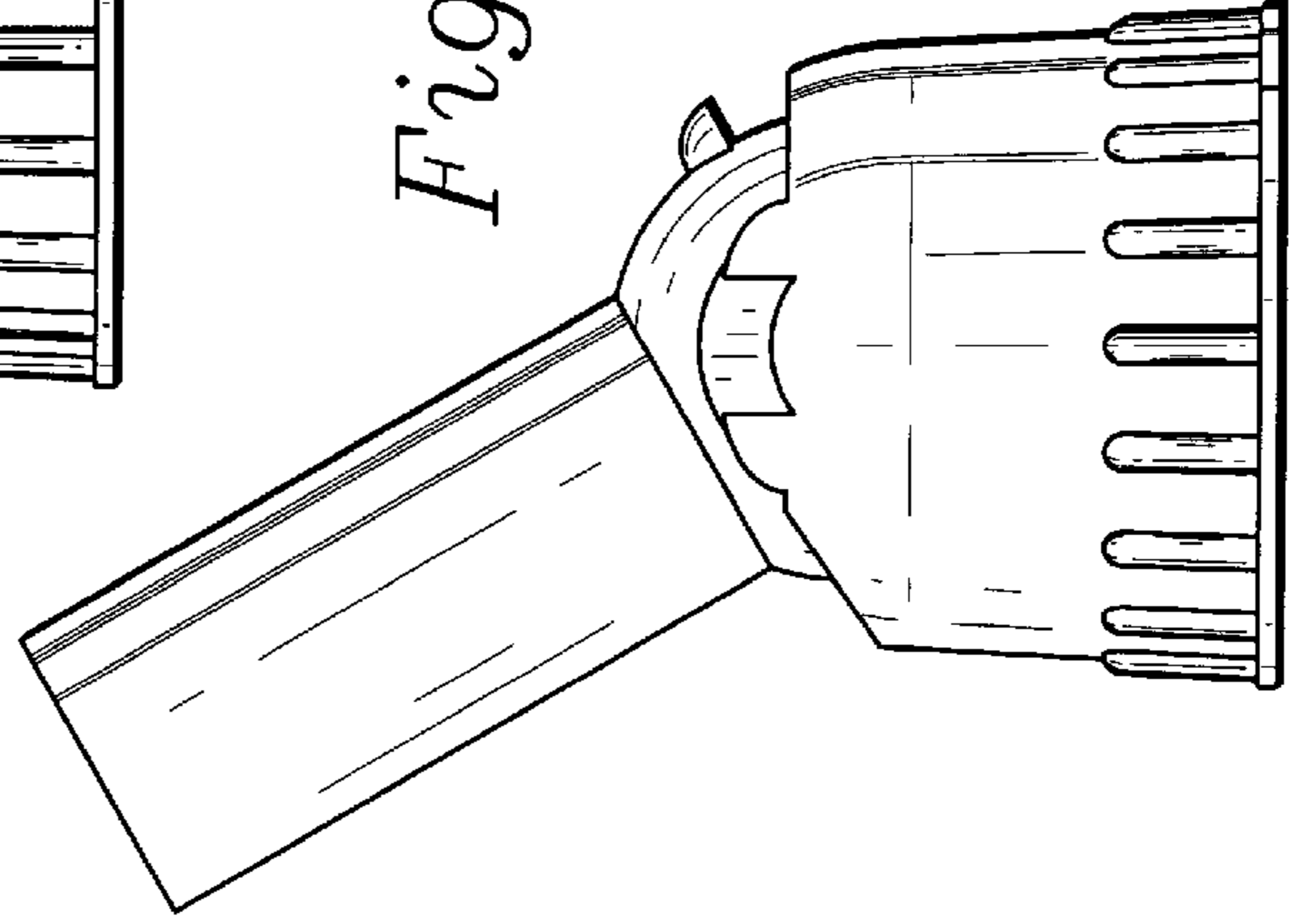


Fig. 5.