



US00D423355S

United States Patent [19]

Loeb et al.

[11] Patent Number: Des. 423,355

[45] Date of Patent: ** Apr. 25, 2000

[54] **APPLICATOR TUBE HEAD**

[75] Inventors: **Deborah L. Loeb**, McHenry, Ill.;
James A. Nass, East Amherst, N.Y.

[73] Assignee: **Thatcher Tubes LLC**, Woodstock, Ill.

[**] Term: **14 Years**

[21] Appl. No.: **29/093,311**

[22] Filed: **Sep. 8, 1998**

Related U.S. Application Data

[62] Division of application No. 29/085,281, Mar. 19, 1998, Pat. No. Des. 414,688.

[51] **LOC (6) Cl.** **09-07**

[52] **U.S. Cl.** **D9/447**

[58] **Field of Search** D9/302, 337, 338,
D9/447; D28/7, 57, 76, 88; 222/92, 93,
106, 107; 401/55, 75, 130, 139

[56] References Cited

U.S. PATENT DOCUMENTS

D. 92,135	5/1934	Johnson	D9/302
D. 129,508	9/1941	Landau	D9/302
D. 136,215	8/1943	Kaub	.	
D. 188,397	7/1960	Hulsh	.	
D. 306,978	4/1990	Paulovich	D9/447
D. 307,191	4/1990	Blutenthal	.	
D. 317,987	7/1991	Demarest	.	
D. 341,225	11/1993	Lang et al.	.	
D. 341,227	11/1993	Lang et al.	.	
D. 351,338	10/1994	Koptis	.	
D. 364,006	11/1995	Kamen	.	
D. 370,087	5/1996	Baltierra	.	
560,725	5/1896	Lawrence	.	
766,556	8/1904	Symonds	.	

1,137,086	4/1915	Rodiger	.	
1,170,181	2/1916	O'Kane	.	
1,171,654	2/1916	Ritz	.	
1,573,514	2/1926	Hamilton	.	
2,021,653	11/1935	Johnson	.	
2,034,137	3/1936	Fitz-Gibbon	.	
2,246,838	6/1941	Castino	.	
2,344,060	3/1944	Ray	.	
2,374,065	4/1945	Worthington	.	
2,557,221	6/1951	Gazda	.	
2,604,105	7/1952	Kruck	.	
2,630,006	3/1953	Leach	.	
2,636,644	4/1953	Taylor	.	
2,663,463	12/1953	Benbury et al.	.	
2,961,679	11/1960	Claypool	.	
3,121,906	2/1964	Hulsh	.	
3,219,044	11/1965	Bau	.	
3,236,417	2/1966	Linton	D9/302 X

(List continued on next page.)

Primary Examiner—Nanda Bondade
Attorney, Agent, or Firm—Watts Hoffmann Fisher & Heinke

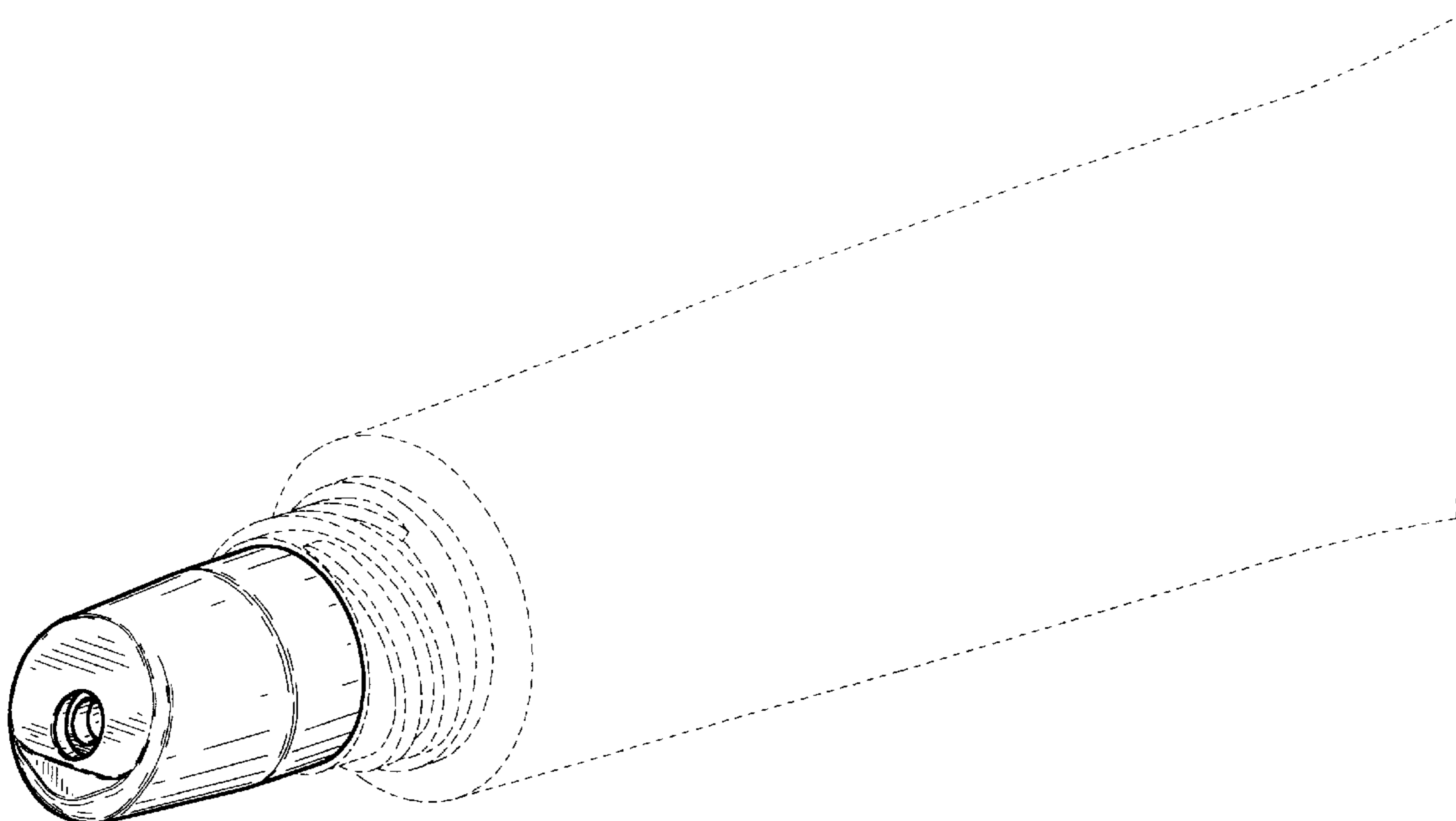
[57] CLAIM

The ornamental design for an applicator tube head, as shown and described.

DESCRIPTION

FIG. 1 is a perspective view of an applicator tube head showing our new design;
FIG. 2 is a top plan view thereof;
FIG. 3 is a right side elevational view thereof, the left side elevational view being a mirror image thereof;
FIG. 4 is a front elevational view thereof; and,
FIG. 5 is a rear elevational view thereof.
The broken line showing in FIGS. 1-5 is for illustrative purposes only and forms no part of the claimed design.

1 Claim, 1 Drawing Sheet



OTHER PUBLICATIONS

3,284,839	11/1966	Cook .	4,872,778	10/1989	Longo .
3,412,900	11/1968	Macaulay .	4,887,924	12/1989	Green .
3,448,896	6/1969	Kobayashi et al. .	4,925,327	5/1990	Wirt .
3,879,141	4/1975	Shulman .	4,976,563	12/1990	Iizuka et al. .
3,979,163	9/1976	Beard .	4,981,629	1/1991	Cook .
4,002,182	1/1977	Michel .	4,984,922	1/1991	Iizuka .
4,011,968	3/1977	McGhie et al. .	5,007,757	4/1991	Iizuka .
4,090,647	5/1978	Dunning .	5,026,192	6/1991	Kiuchi et al. .
4,265,948	5/1981	Hayes et al. .	5,046,877	9/1991	Longo .
4,484,976	11/1984	Despins .	5,156,479	10/1992	Iizuka .
4,535,906	8/1985	Rowekamp .	5,180,245	1/1993	Iizuka .
4,722,459	2/1988	Goncalves .	5,251,992	10/1993	Iizuka et al. .
4,755,075	7/1988	Leem .	5,373,965	12/1994	Halm et al. .
4,767,034	8/1988	Cramer .	5,464,122	11/1995	Lifshey .
4,776,717	10/1988	Iizuka et al. .	5,577,851	11/1996	Koptis .
4,808,022	2/1989	Iizuka et al. .	5,588,560	12/1996	Benedict et al. .
4,844,250	7/1989	Holoubek et al. .	5,622,283	4/1997	Morrison .
			5,638,990	6/1997	Kastberg .

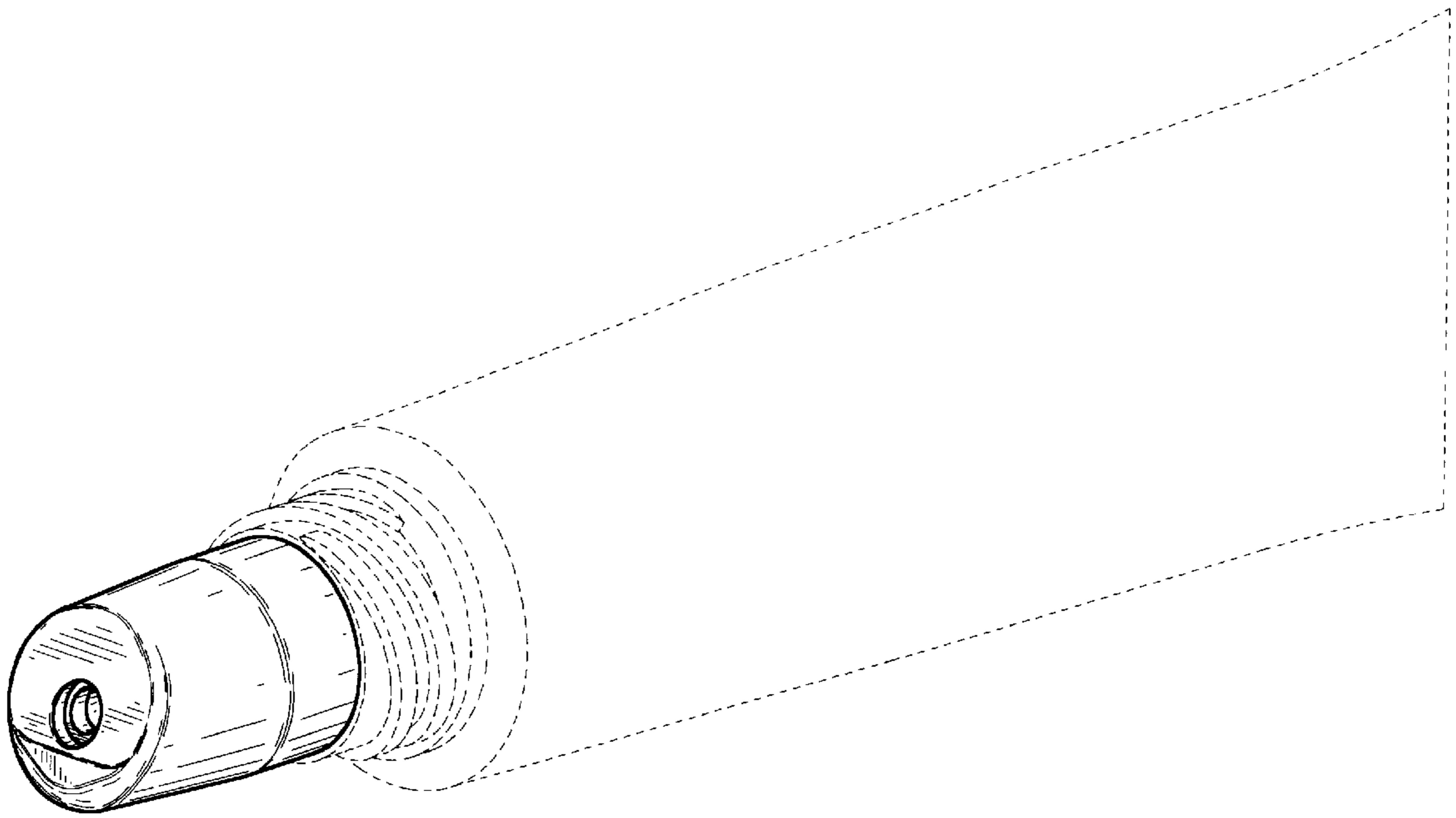


Fig.1

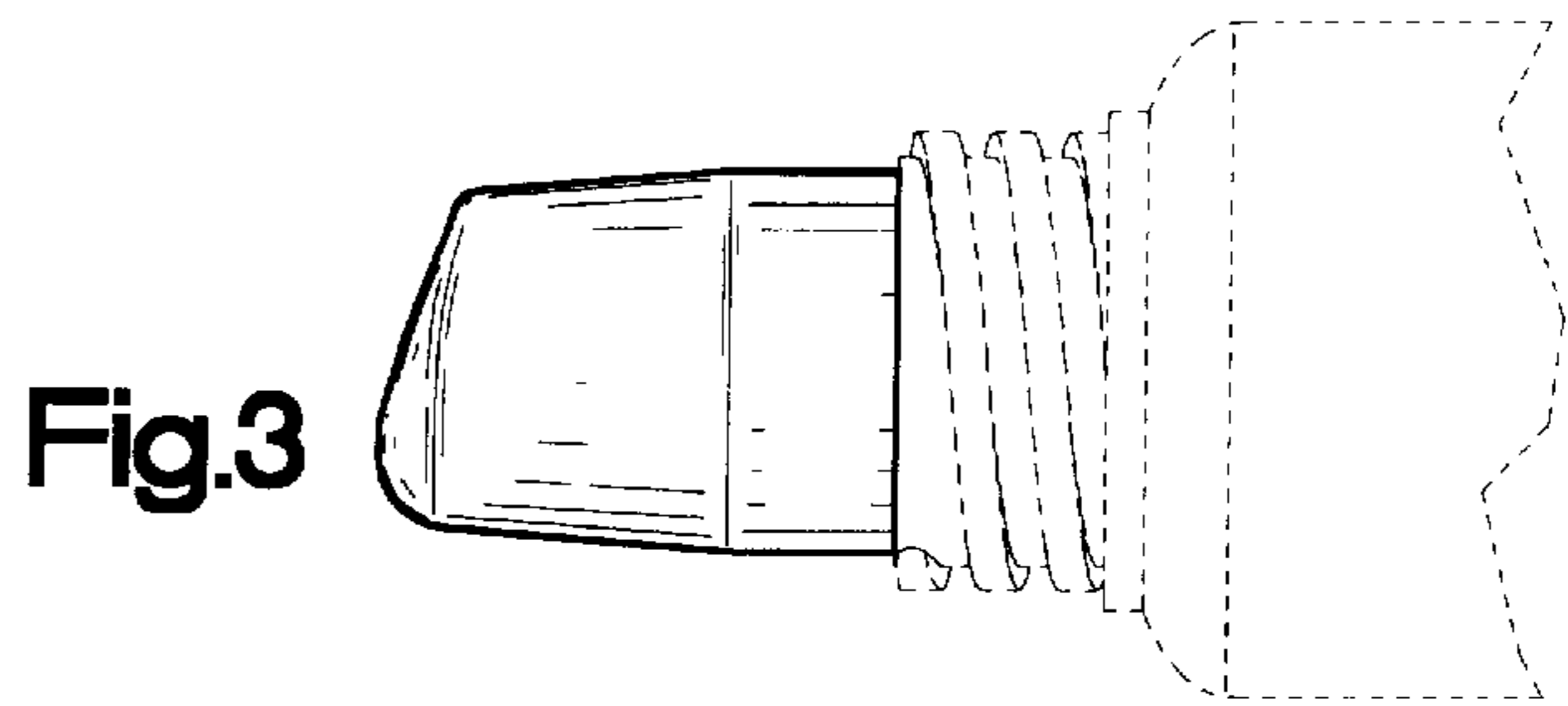


Fig.3

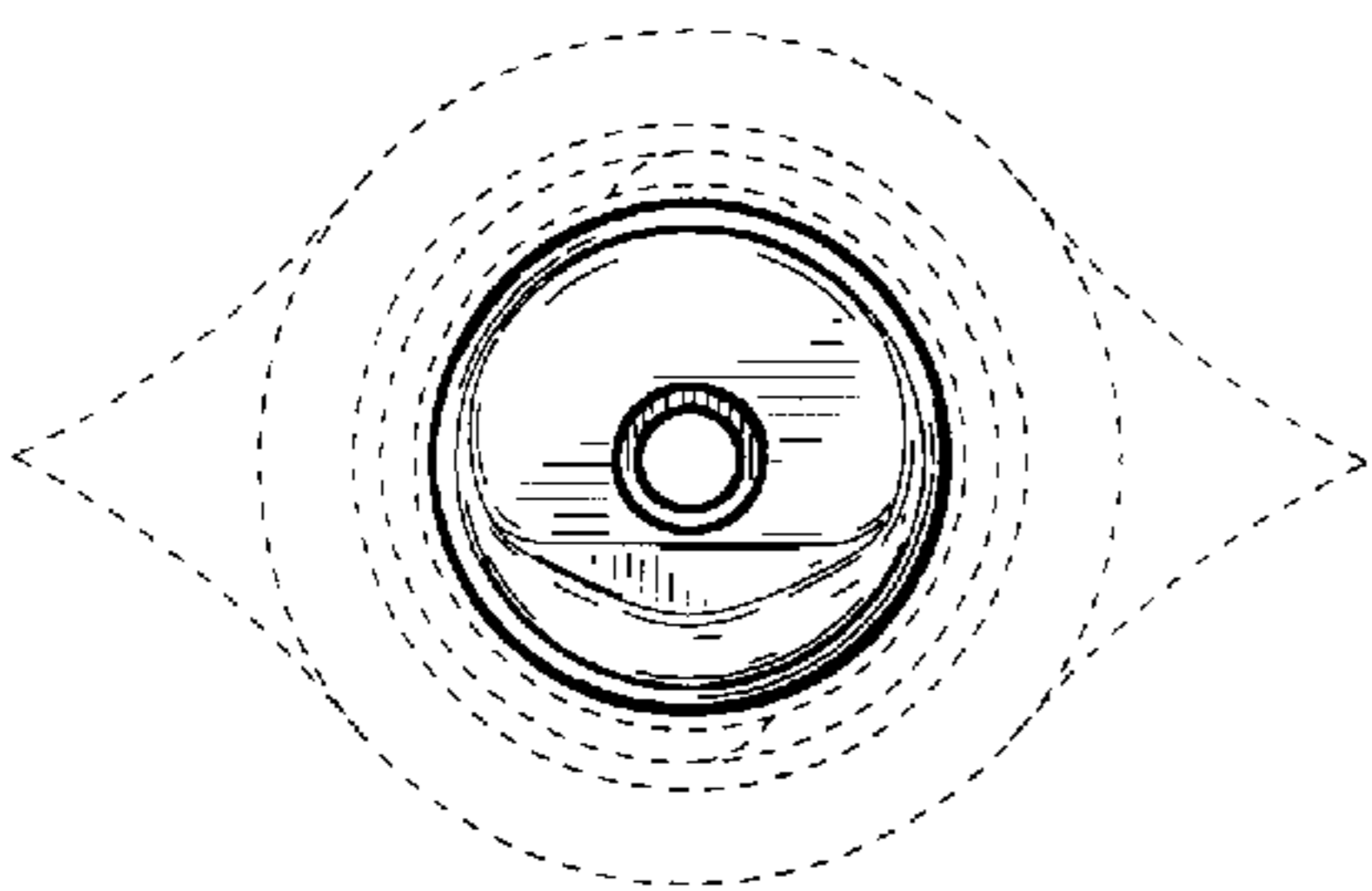


Fig.2

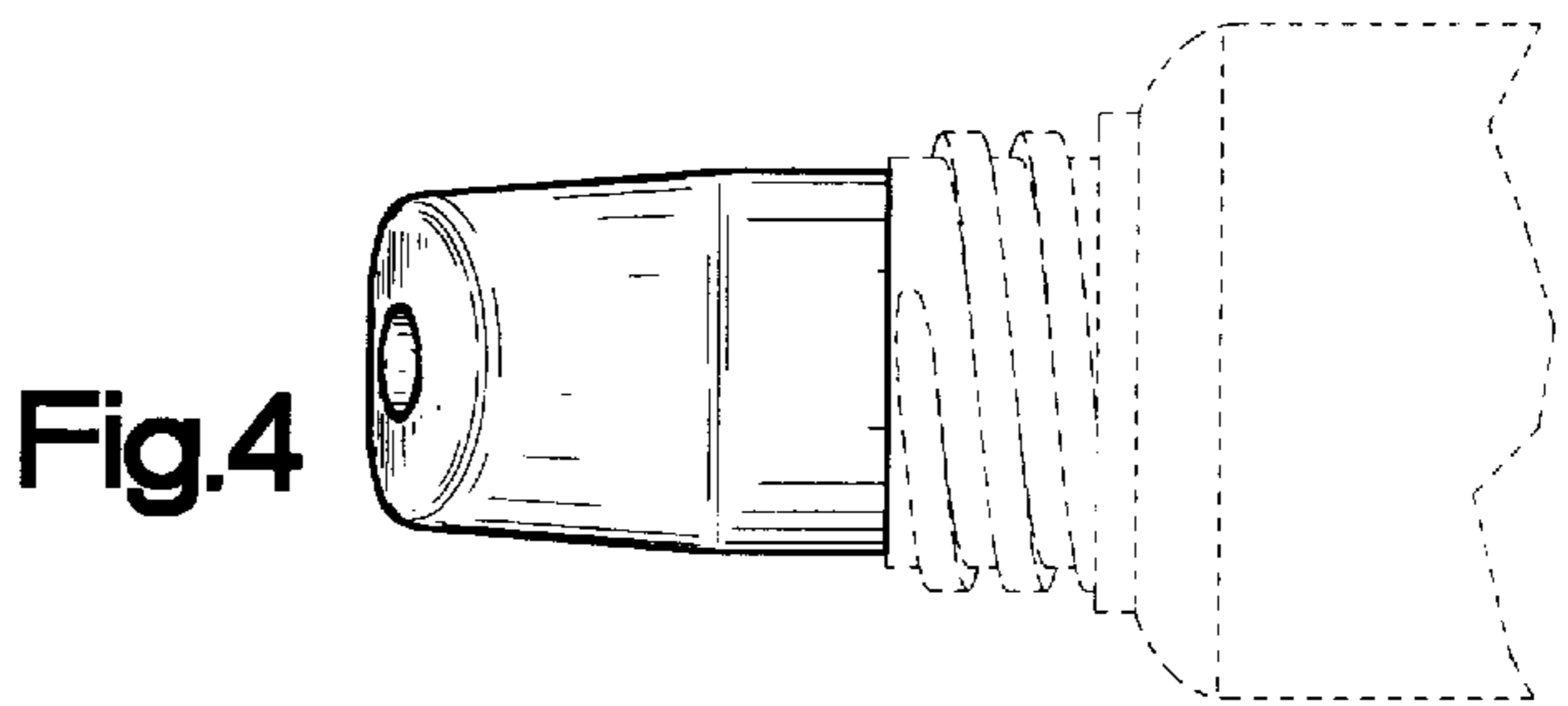


Fig.4

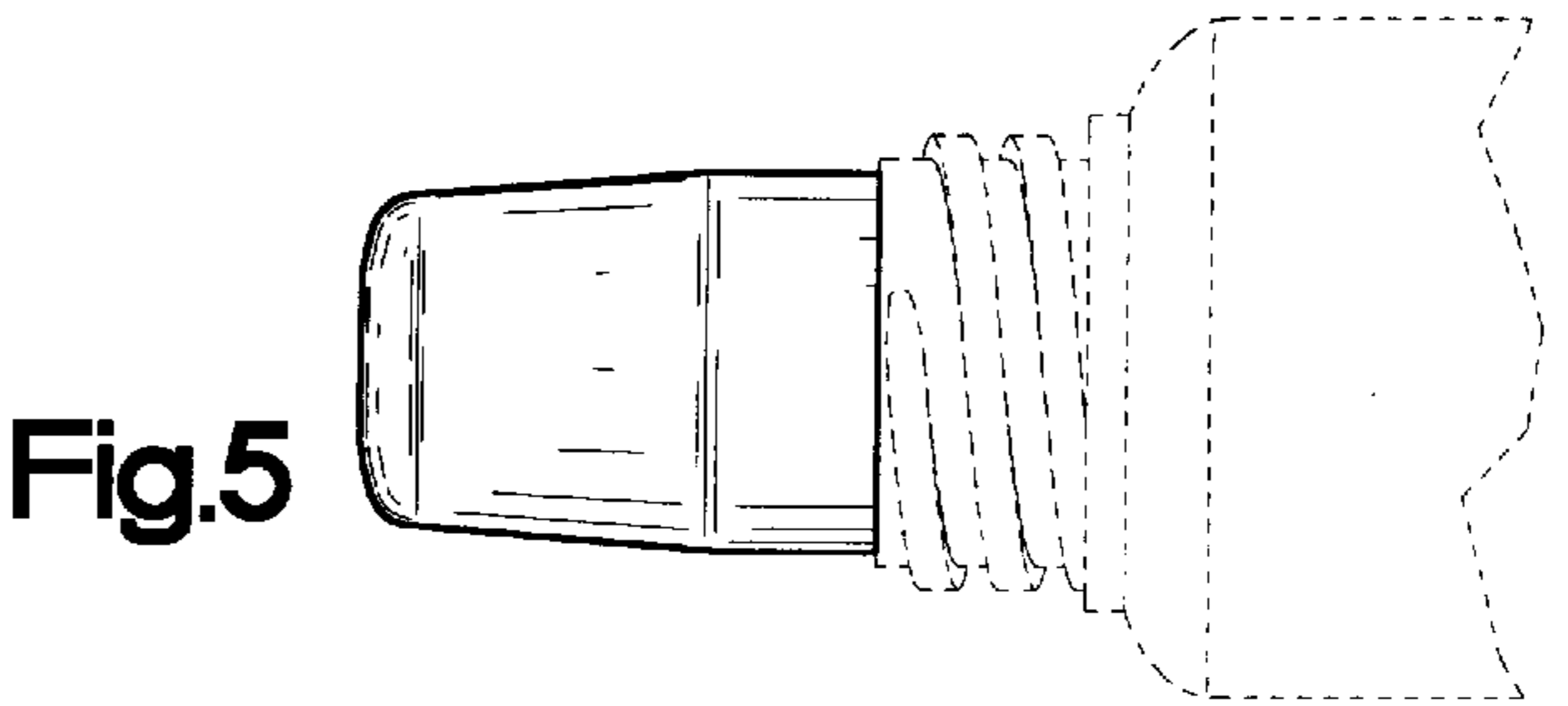


Fig.5

UNITED STATES PATENT AND TRADEMARK OFFICE
CERTIFICATE OF CORRECTION

PATENT NO.: DES. 423, 355
DATED: April 25, 2000
INVENTOR(S) Deborah L. Loeb and James A. Nass
:

It is certified that error appears in the above-identified patent and that said Letters Patent is hereby corrected as shown below:

Assignee: should read -- Thatcher Tubes LLC, Woodstock, Ill and The Mentholatum Company, Inc., Orchard Park, NY --.

Signed and Sealed this
First Day of May, 2001



NICHOLAS P. GODICI

Attest:

Attesting Officer

Acting Director of the United States Patent and Trademark Office