



US00D423353S

United States Patent [19]

Blanchard et al.

[11] Patent Number: Des. 423,353

[45] Date of Patent: ** Apr. 25, 2000

[54] BAG CLIP

[75] Inventors: **Russell O. Blanchard**, Zeeland;
Donald Hero Bratt, Grand Rapids; **Jay DeWitt**, Zeeland; **Douglas J. Dykstra**;
Mark R. Zietse, both of Grand Rapids,
all of Mich.

[73] Assignee: **Lilly Industries (USA), Inc.**, Grand
Rapids, Mich.

[**] Term: **14 Years**

[21] Appl. No.: **29/104,629**

[22] Filed: **May 10, 1999**

[51] LOC (6) Cl. **09-07**

[52] U.S. Cl. **D9/435**

[58] Field of Search D9/434, 435, 443;
D8/394, 395; D28/40; 24/30.5 P, 30.5 R,
30.5 S, 563; 383/42, 63, 65, 68, 69

[56] **References Cited**

U.S. PATENT DOCUMENTS

- D. 264,689 6/1982 Miller D9/434
- D. 299,008 12/1988 Naslund D9/434 X
- D. 317,571 6/1991 Henriksson .

- D. 329,373 9/1992 Kaga D8/394
- D. 329,374 9/1992 Kaga D8/394
- D. 333,786 3/1993 Carroll D9/435
- D. 350,696 9/1994 Näslund .
- D. 384,459 9/1997 Eisenman D8/395 X
- 4,887,335 12/1989 Folkmar 24/30.5 R
- 4,923,153 5/1990 Matsui et al. 24/50.5 P X
- 5,428,871 7/1995 Iosif 24/30.5 R
- 5,713,108 2/1998 Solomon et al. 24/30.5 R

Primary Examiner—Cathron B. Matta
Attorney, Agent, or Firm—Warner Norcross & Judd

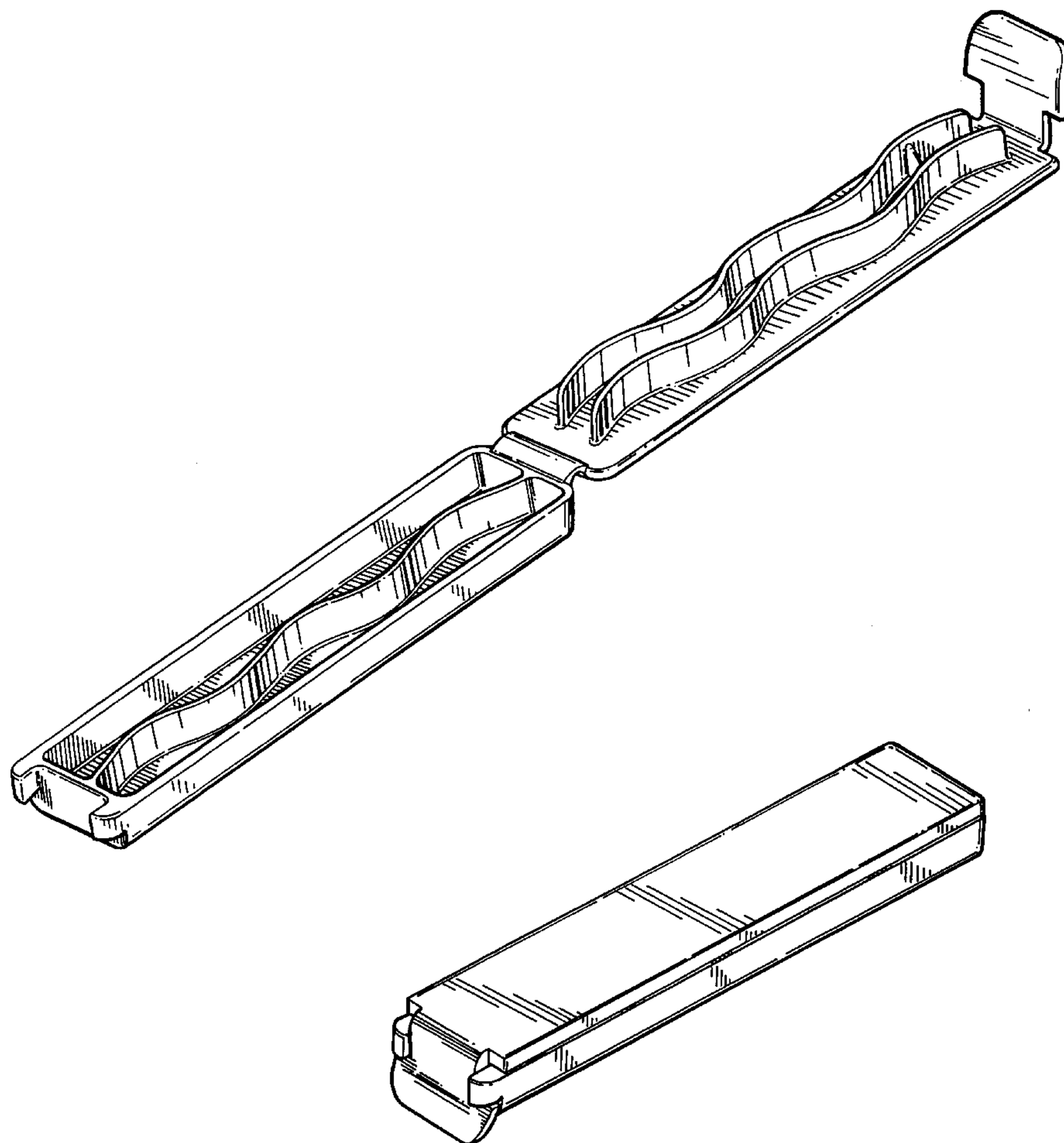
[57] **CLAIM**

The ornamental design for bag clip, as shown and described.

DESCRIPTION

FIG. 1 is a perspective view of the bag clip embodying the new design;
FIG. 2 is a top plan view thereof;
FIG. 3 is a bottom plan view thereof;
FIG. 4 is a front elevational view thereof, the rear elevational view being symmetrical;
FIG. 5 is a left side elevational view thereof;
FIG. 6 is a right side elevational view thereof; and,
FIG. 7 is a perspective view thereof in a closed position.

1 Claim, 4 Drawing Sheets



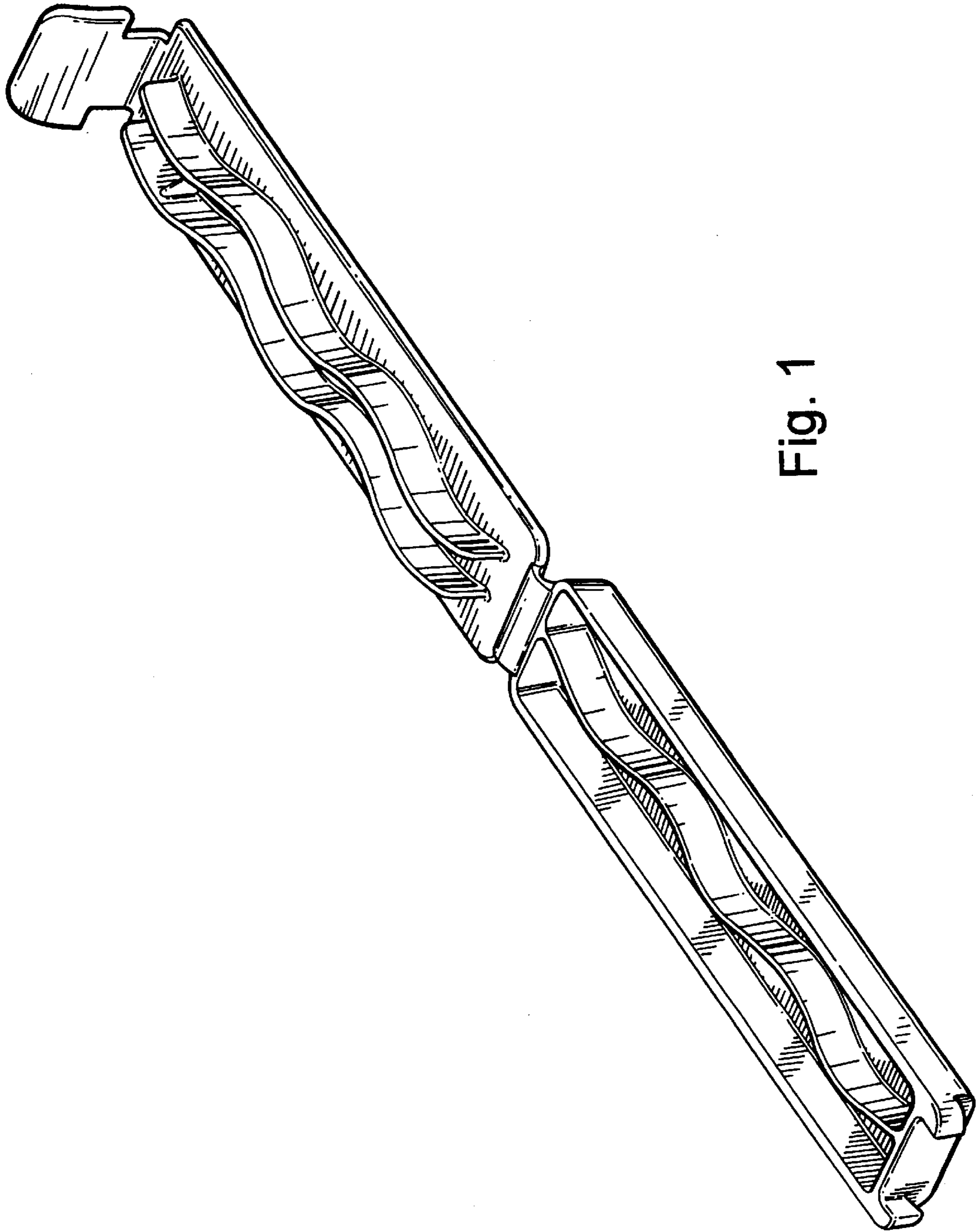


Fig. 1

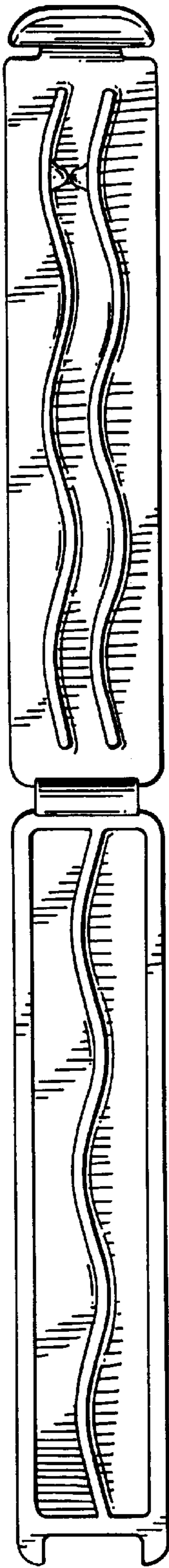


Fig. 2

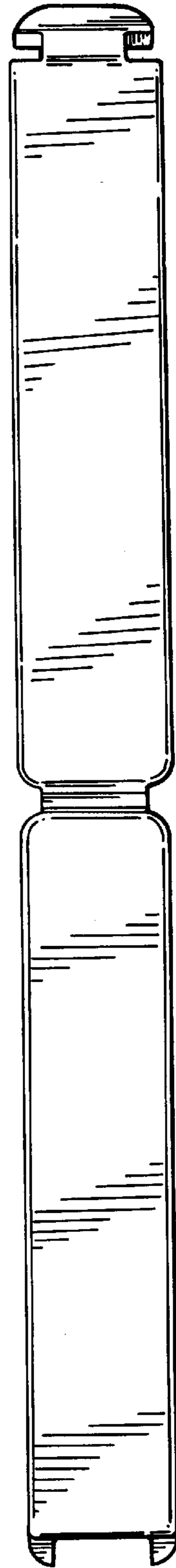


Fig. 3

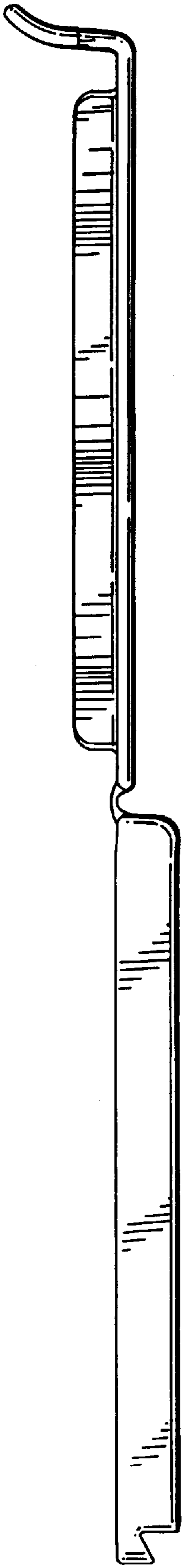


Fig. 4

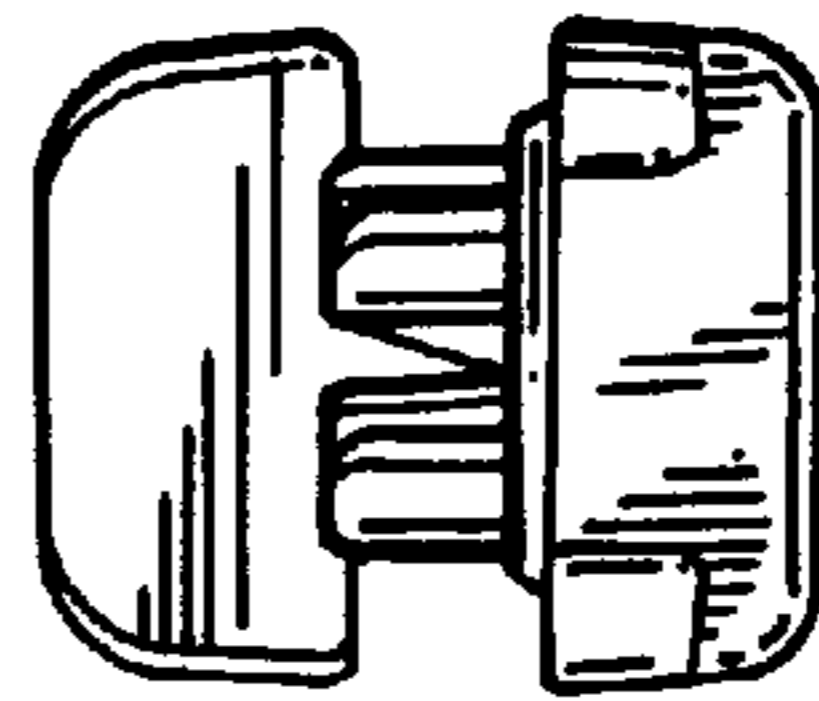


Fig. 5

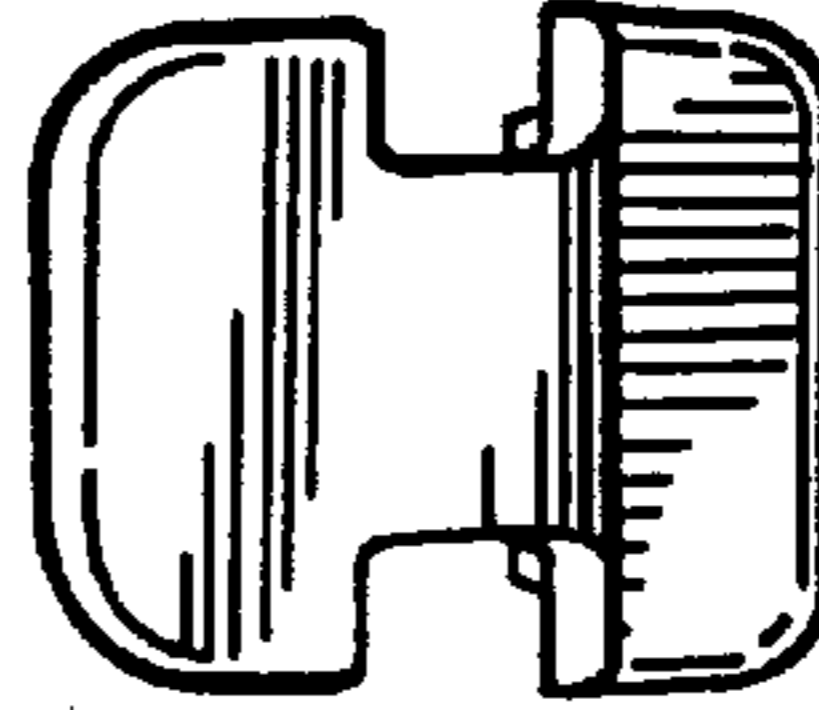


Fig. 6

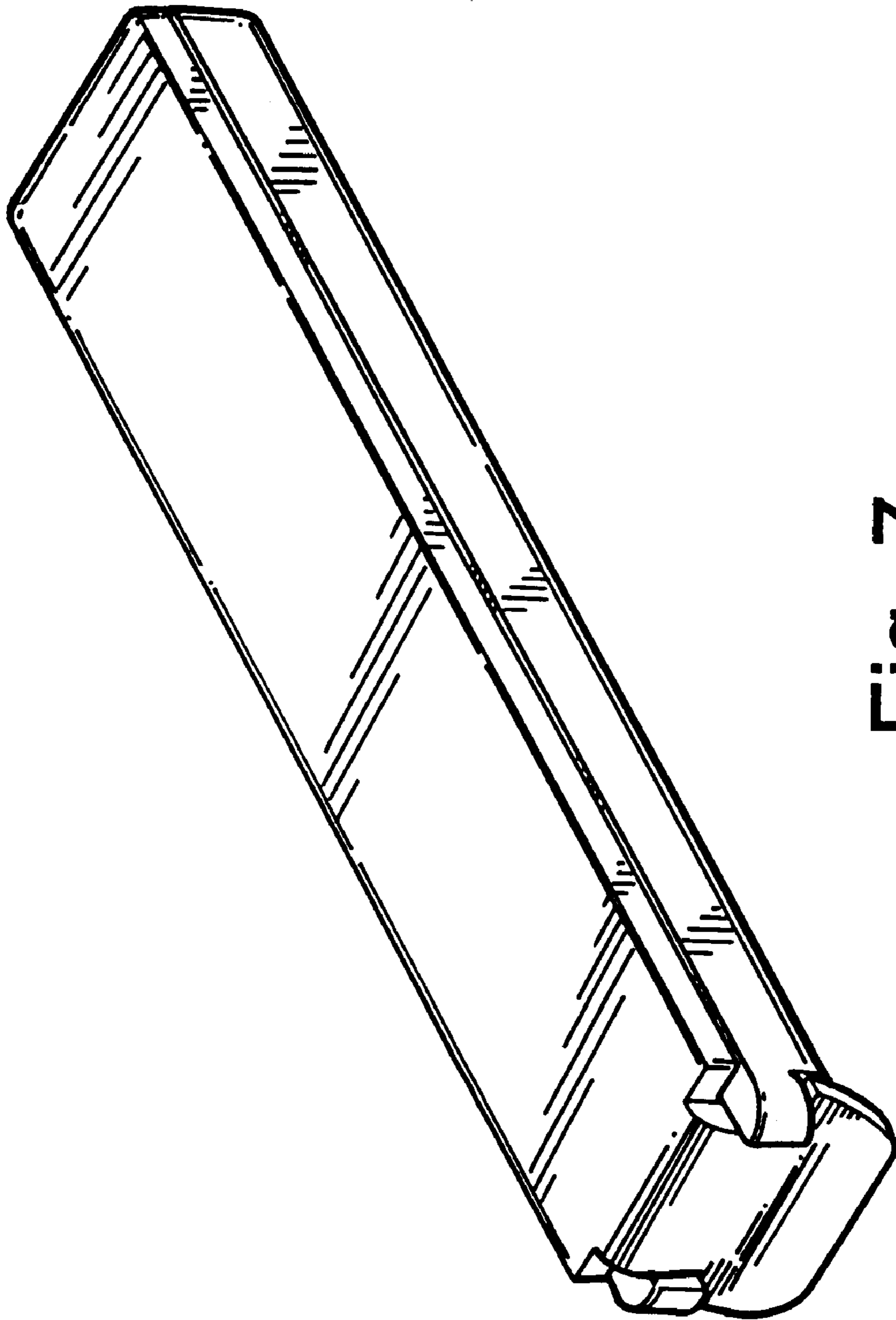


Fig. 7