



US00D423350S

# United States Patent [19]

[11] Patent Number: Des. 423,350

Takahashi et al.

[45] Date of Patent: \*\* Apr. 25, 2000

[54] HANDLE FOR USE WITH CONTAINER

[75] Inventors: Tetsuo Takahashi, Soka; Hiroaki Sugiura, Hachioji; Fujio Shioiri, Nasu-gun; Shinji Shimada, Tokyo; Takao Iizuka, Matsudo, all of Japan

[73] Assignee: Yoshino Kogyosho Co., Ltd., Tokyo, Japan

[\*\*] Term: 14 Years

[21] Appl. No.: 29/103,911

[22] Filed: Apr. 26, 1999

[51] LOC (6) Cl. .... 09-07

[52] U.S. Cl. .... D9/434

[58] Field of Search ..... D9/434, 520, 528, D9/530, 531, 535, 536, 540; 215/386, 396, 398, 516; 220/752, 759, 770, 771, 775, 755

### [56] References Cited

#### U.S. PATENT DOCUMENTS

D. 318,229	7/1991	Umetsu .	
D. 402,895	12/1998	Takahashi et al. ....	D9/520
D. 405,690	2/1999	Takahashi et al. ....	D9/434
D. 407,650	4/1999	Takahashi et al. ....	D9/531
D. 414,109	9/1999	Ota et al. ....	D9/434
3,140,329	7/1964	Nutting .	
4,257,525	3/1981	Thompson .	
4,273,246	6/1981	Thompson .	
4,281,770	8/1981	Rainville .	
4,363,415	12/1982	Rainville .	
4,629,598	12/1986	Thompson .	
4,727,997	3/1988	Nakamura et al. .	
4,909,978	3/1990	Hasegawa et al. .	
4,915,241	4/1990	Morimura et al. .	
4,952,133	8/1990	Hasegawa et al. .	

4,964,522	10/1990	Umetsu et al. .
5,092,476	3/1992	Yasuda et al. .
5,167,970	12/1992	Yoshino et al. .
5,297,686	3/1994	Takeuchi .
5,338,503	8/1994	Yanagisawa et al. .
5,469,612	11/1995	Collette et al. .
5,535,901	7/1996	Ishii et al. .
5,560,506	10/1996	Yanagisawa et al. .

#### FOREIGN PATENT DOCUMENTS

0 650 900 A1	5/1995	European Pat. Off. .
889343	2/1962	United Kingdom .

Primary Examiner—Cathron B. Matta  
Attorney, Agent, or Firm—Oliff & Berridge, PLC

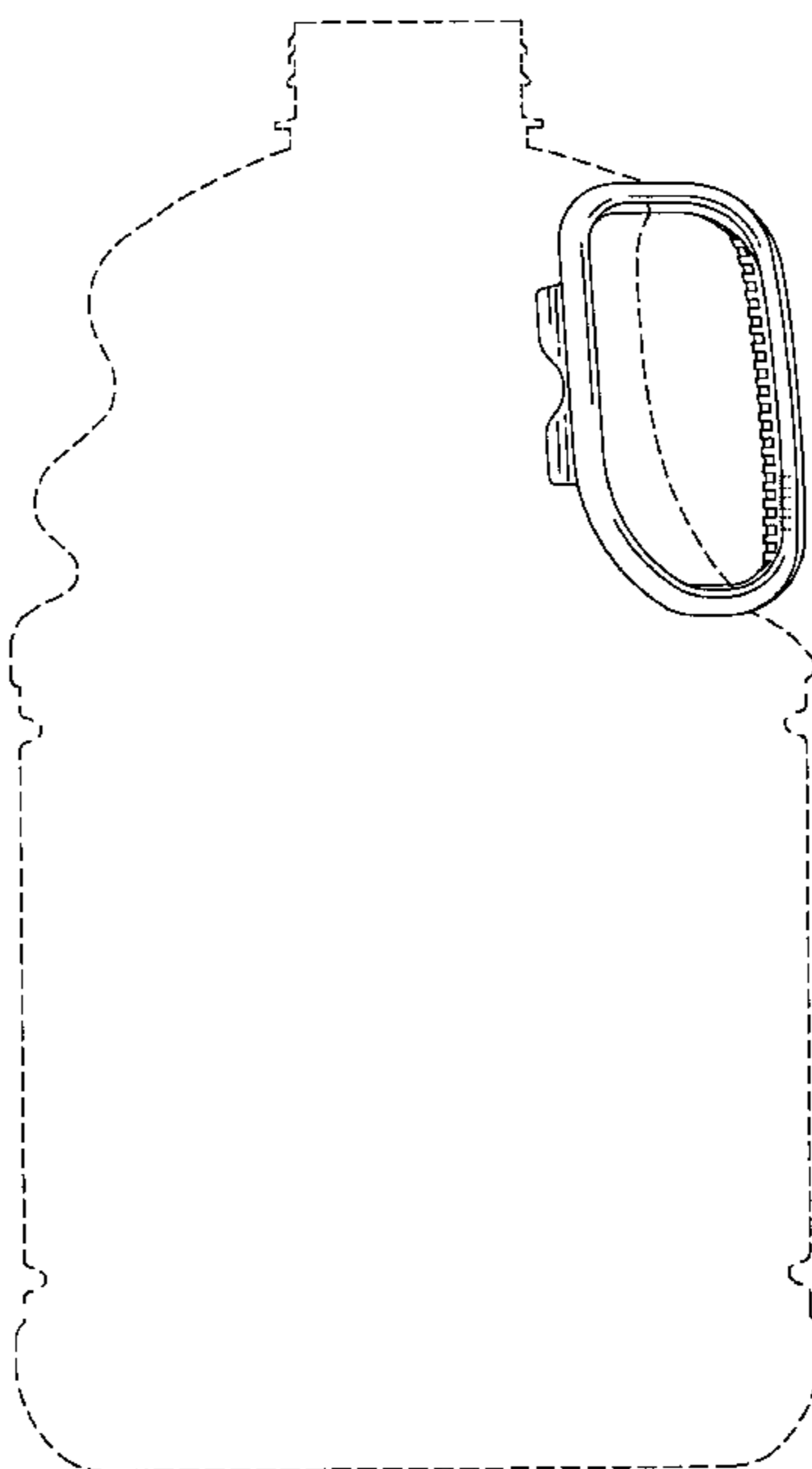
### [57] CLAIM

The ornamental design for handle for use with container, as shown and described.

### DESCRIPTION

FIG. 1 is a side view of the handle for use with container, the opposite side being a mirror image thereof;  
 FIG. 2 is a rear view thereof;  
 FIG. 3 is an enlarged side view of the handle of FIG. 1 without the container, the opposite side view being a mirror image thereof;  
 FIG. 4 is a rear view of FIG. 3;  
 FIG. 5 is a front view of FIG. 3;  
 FIG. 6 is a cross-sectional view of FIG. 5 along lines VI—VI;  
 FIG. 7 is a top view of FIG. 3; and,  
 FIG. 8 is a bottom view of FIG. 3.  
 The broken line showing of a container in FIGS. 1 and 2, and the broken line showing of three small elements on the gripping portion of the handle, are for illustrative purposes only and form no part of the claimed design.

1 Claim, 4 Drawing Sheets



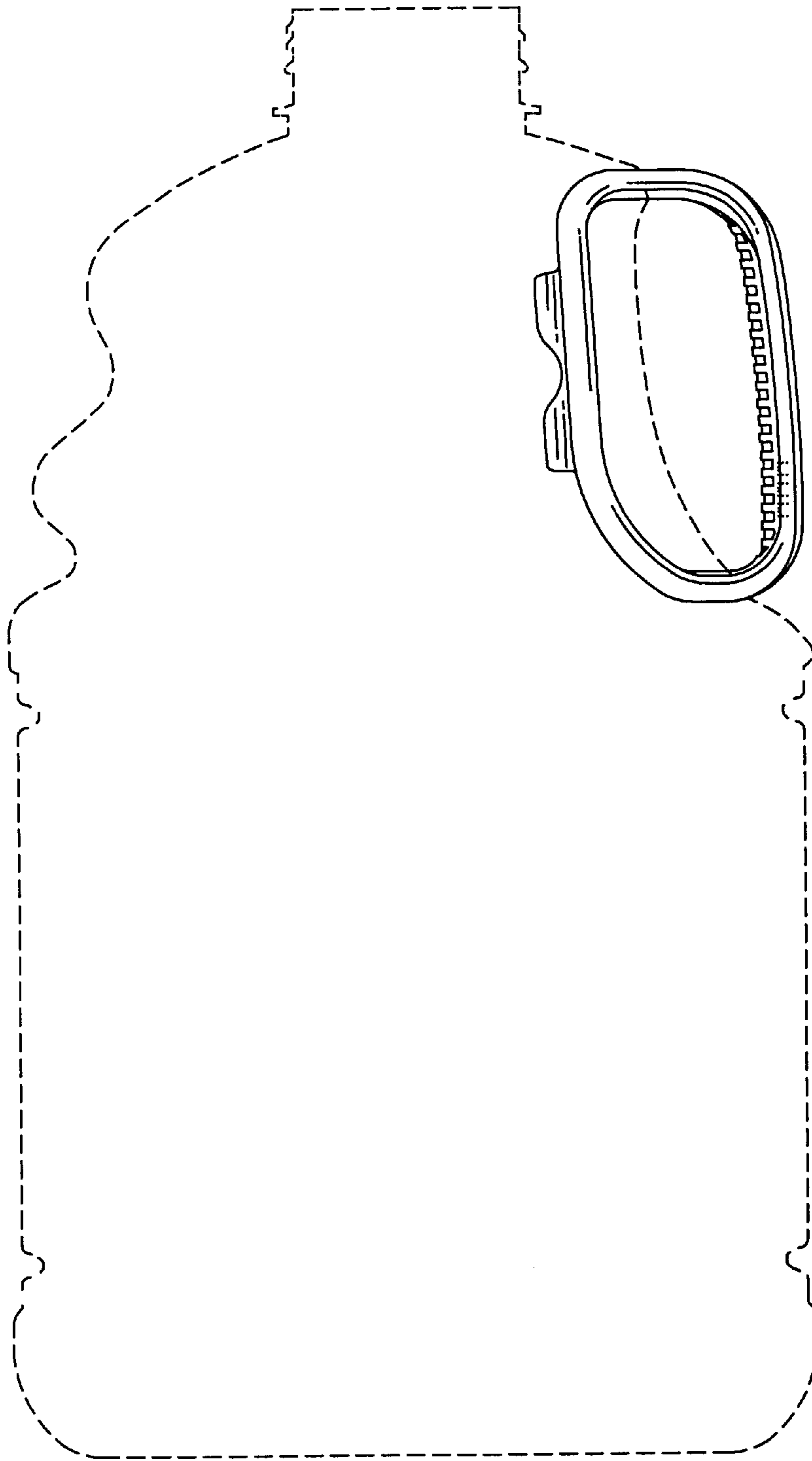


FIG 1

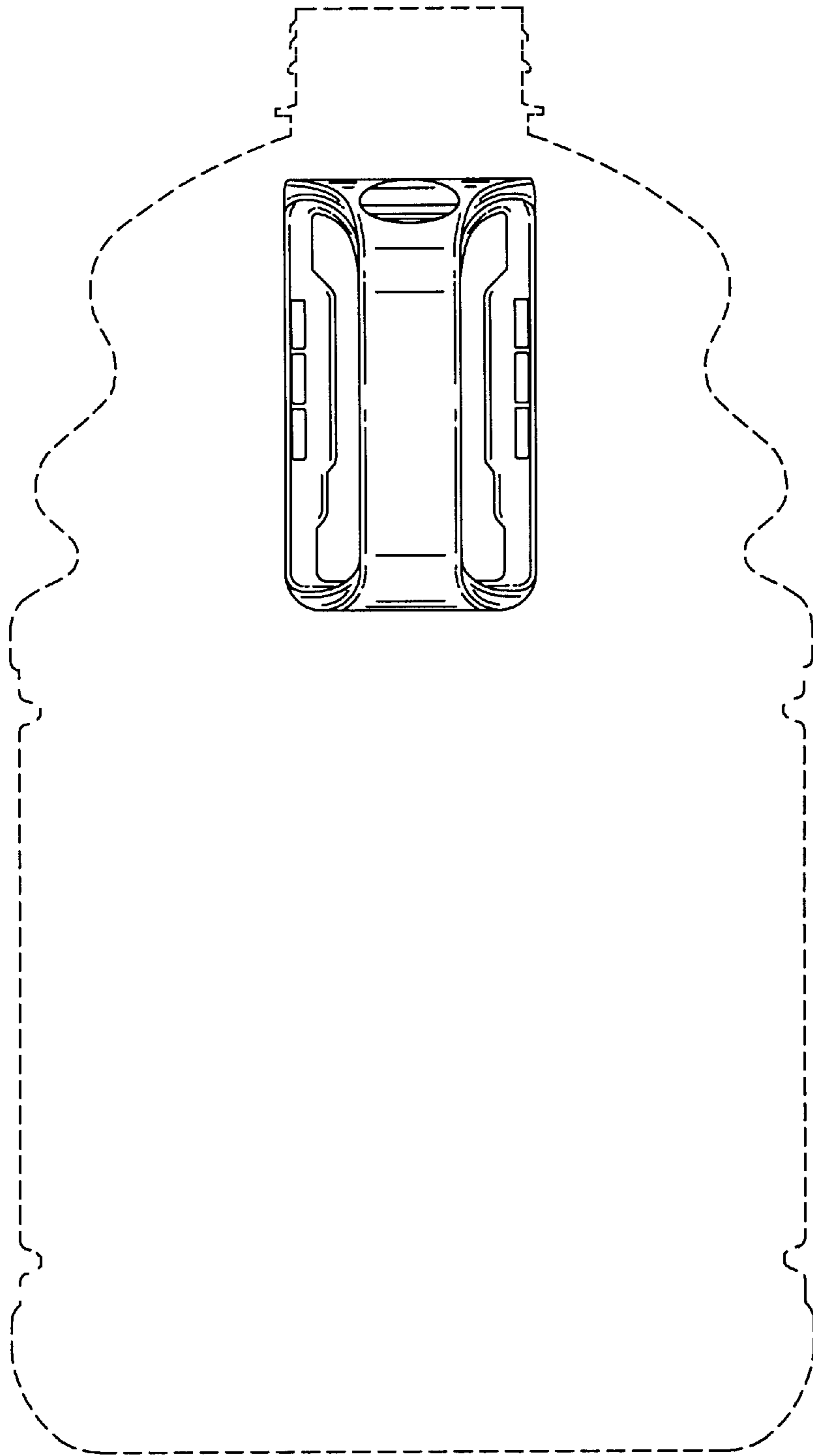


FIG 2

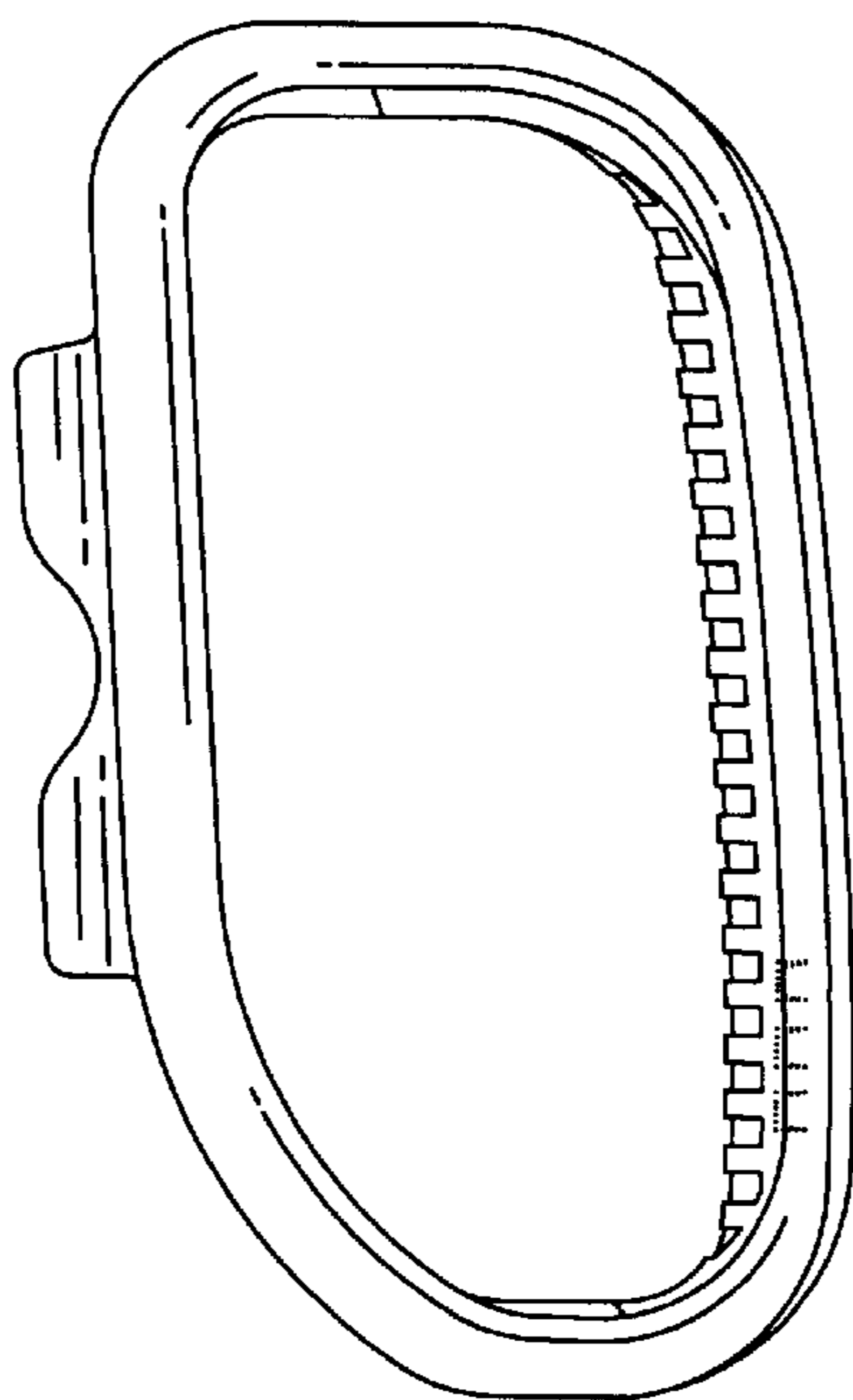


FIG 3

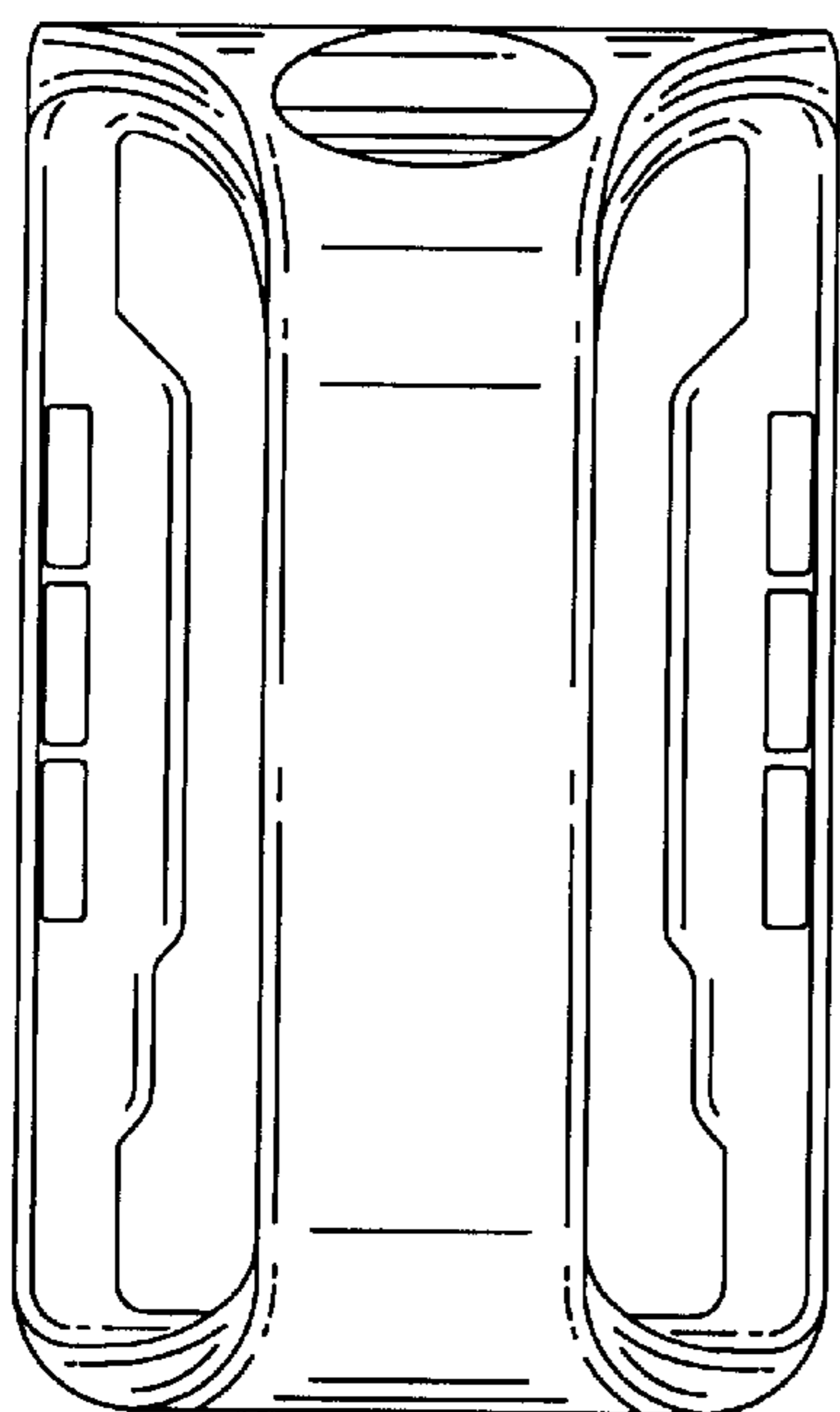


FIG 4

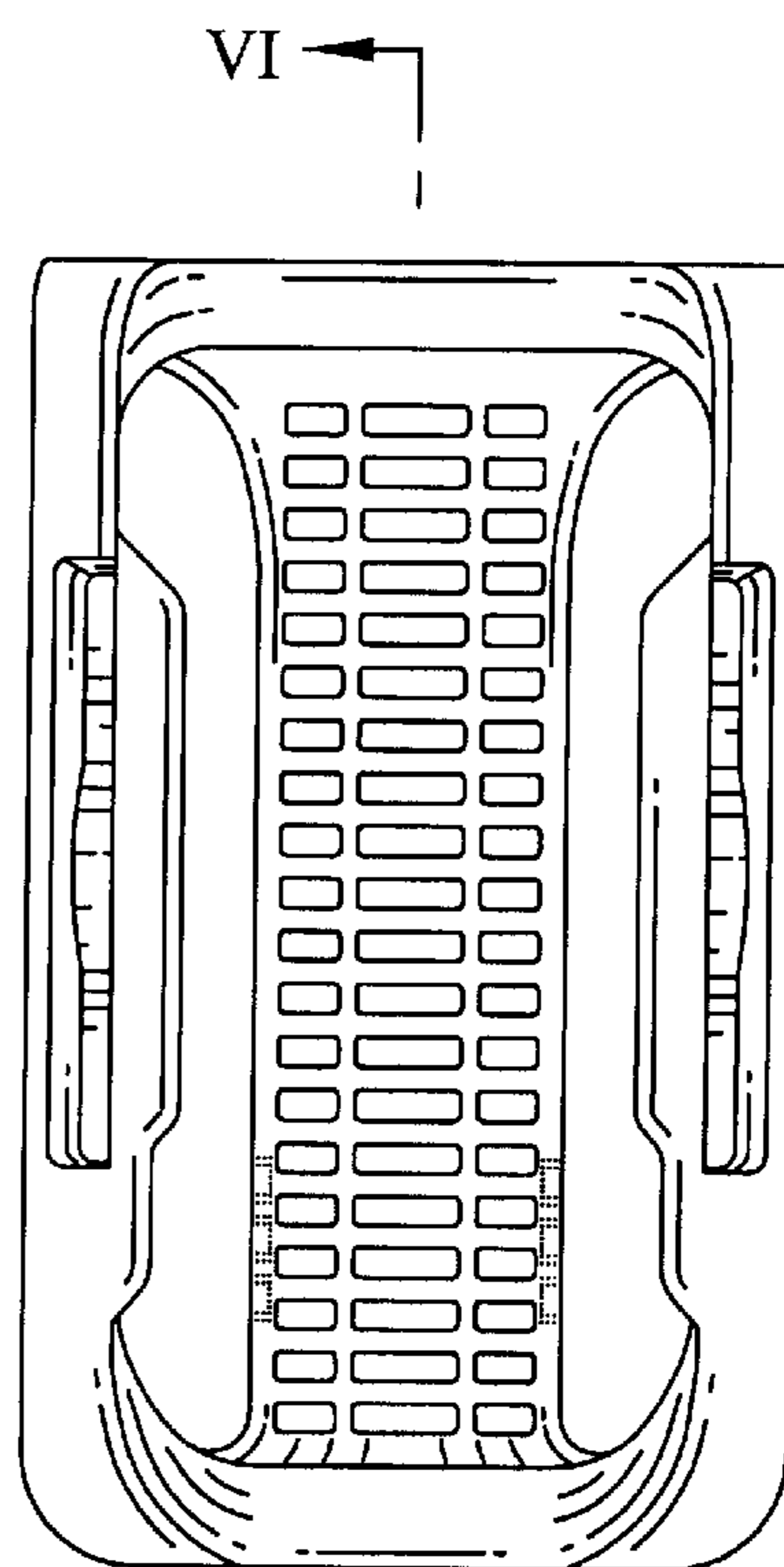


FIG 5

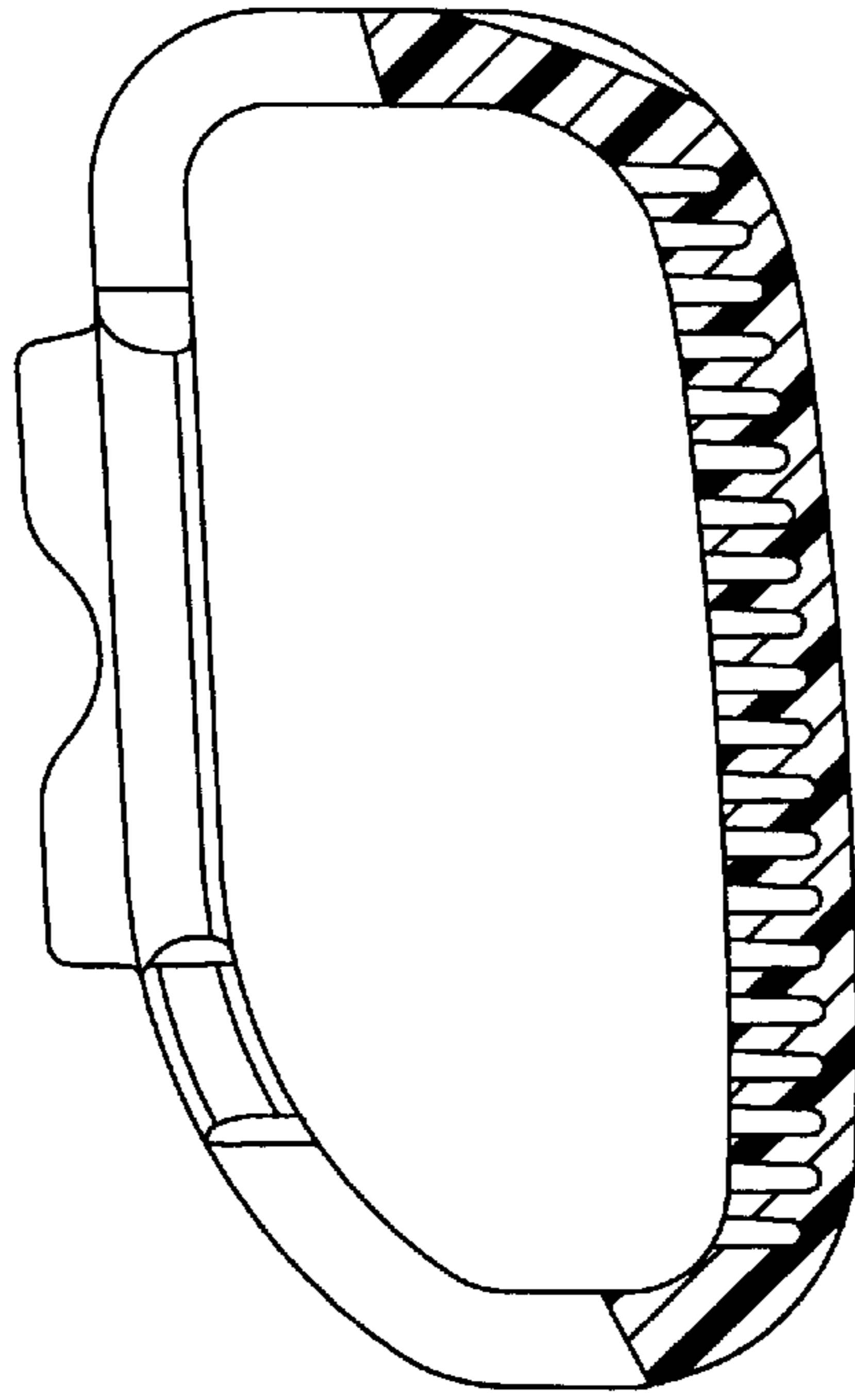


FIG 6

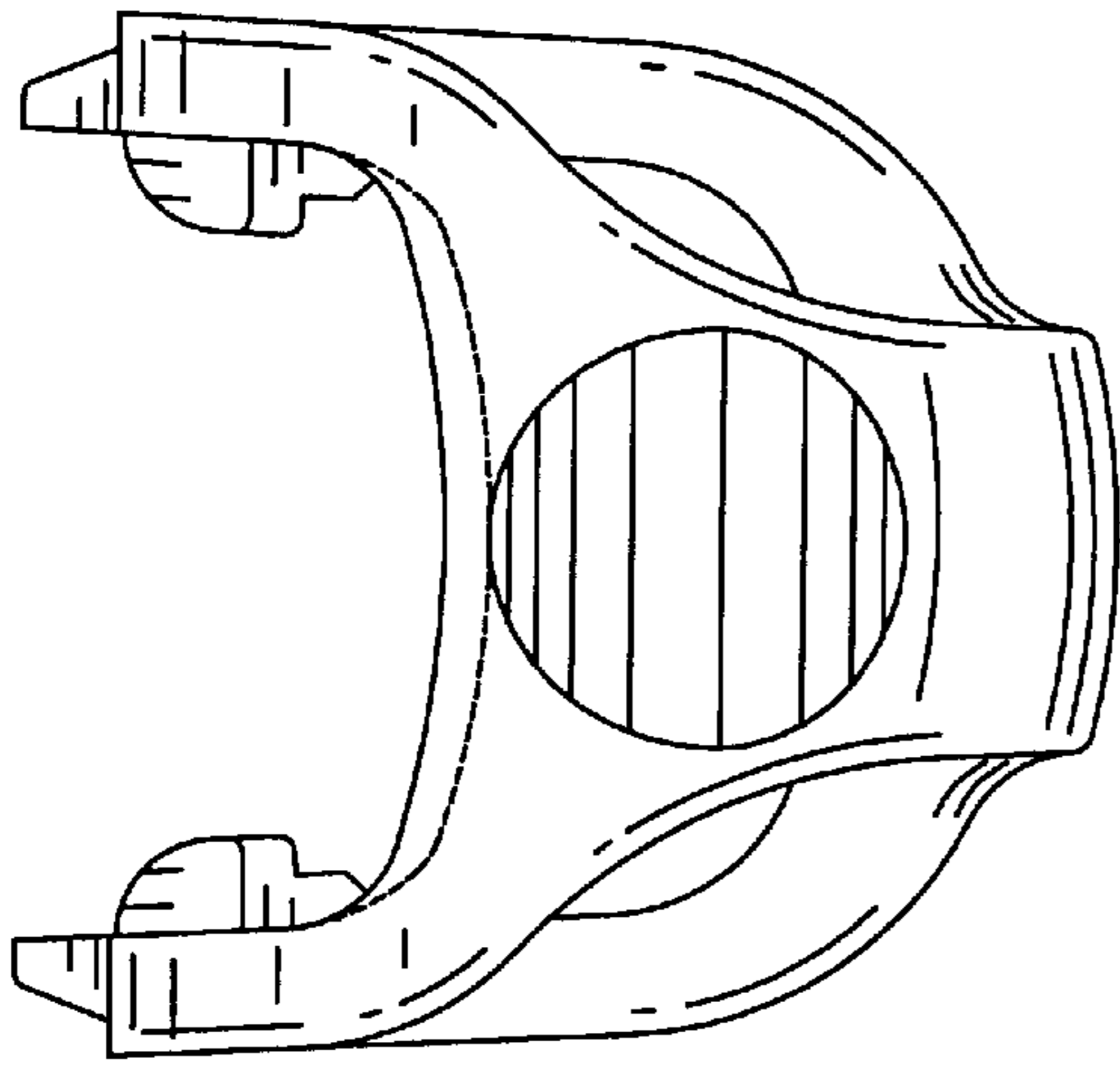


FIG 7

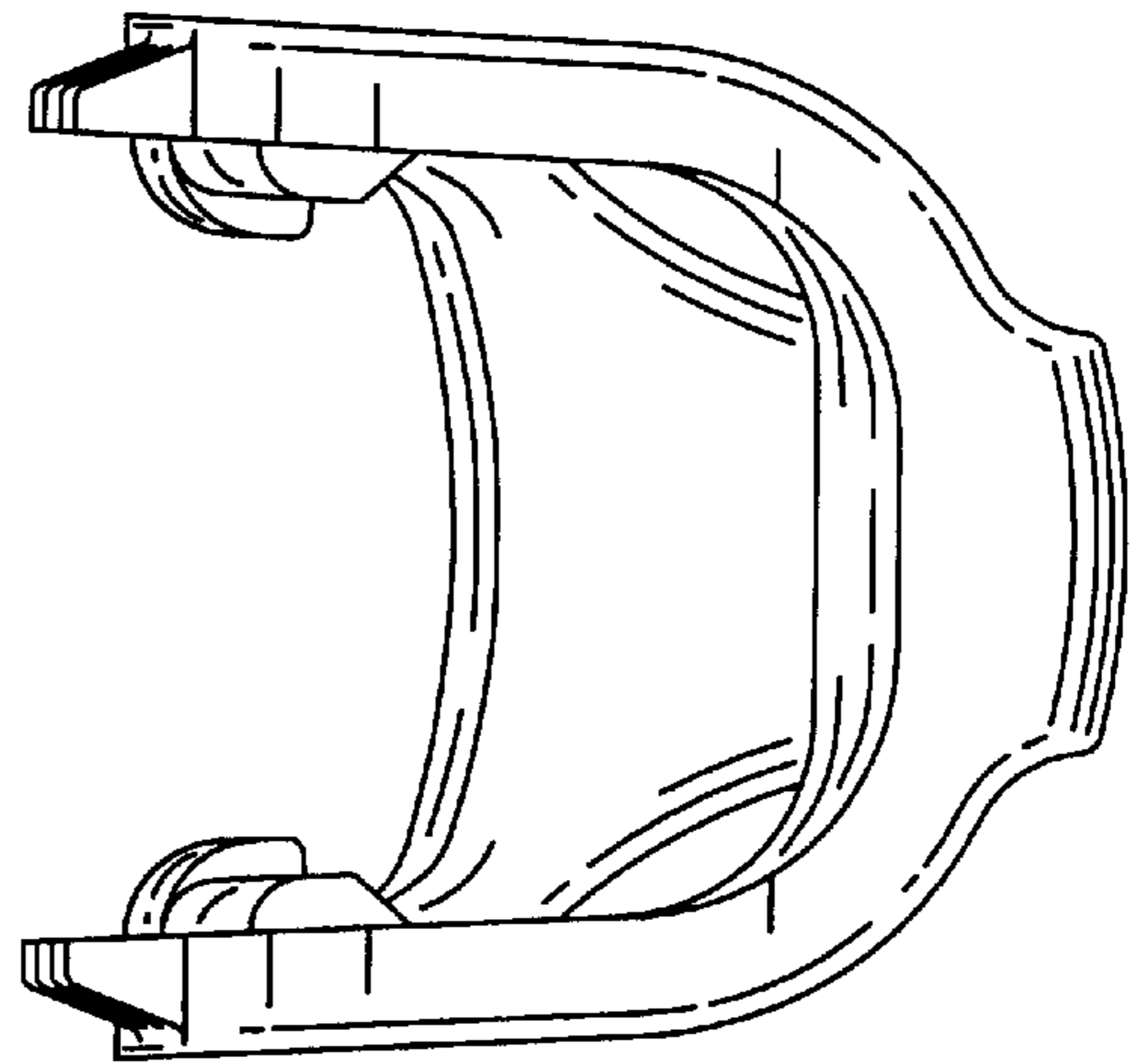


FIG 8