



US00D423345S

# United States Patent [19] Sugarman

[11] **Patent Number: Des. 423,345**

[45] **Date of Patent: \*\* Apr. 25, 2000**

[54] **BOX**

[75] Inventor: **Louis Sugarman**, Barrington, R.I.

[73] Assignee: **Alcraft, Inc.**, Pawtucket, R.I.

[\*\*] Term: **14 Years**

[21] Appl. No.: **29/106,827**

[22] Filed: **Jun. 21, 1999**

[51] **LOC (6) Cl.** ..... **09-07**

[52] **U.S. Cl.** ..... **D9/423; D9/420**

[58] **Field of Search** ..... D9/420-424, 414,  
D9/432, 337; D3/294, 273, 295, 272, 903;  
206/6.1, 5, 301, 566, 823; 220/6, 284, 213,  
244, 810, 789-795, 836, 376

[56] **References Cited**

**U.S. PATENT DOCUMENTS**

D. 98,244 1/1936 Flier ..... D9/423  
D. 130,273 11/1941 Jensen ..... D9/423  
D. 259,690 6/1981 Buchsteiner Nee Fetzer ..... D9/422 X

D. 349,240 8/1994 Booten ..... D9/422  
D. 412,398 8/1999 Watabe ..... D3/294  
3,401,817 9/1968 Palson ..... 220/376 X  
4,966,319 10/1990 Flemink ..... D9/420 X

*Primary Examiner*—Prabhakar Deshmukh  
*Attorney, Agent, or Firm*—Salter & Michaelson

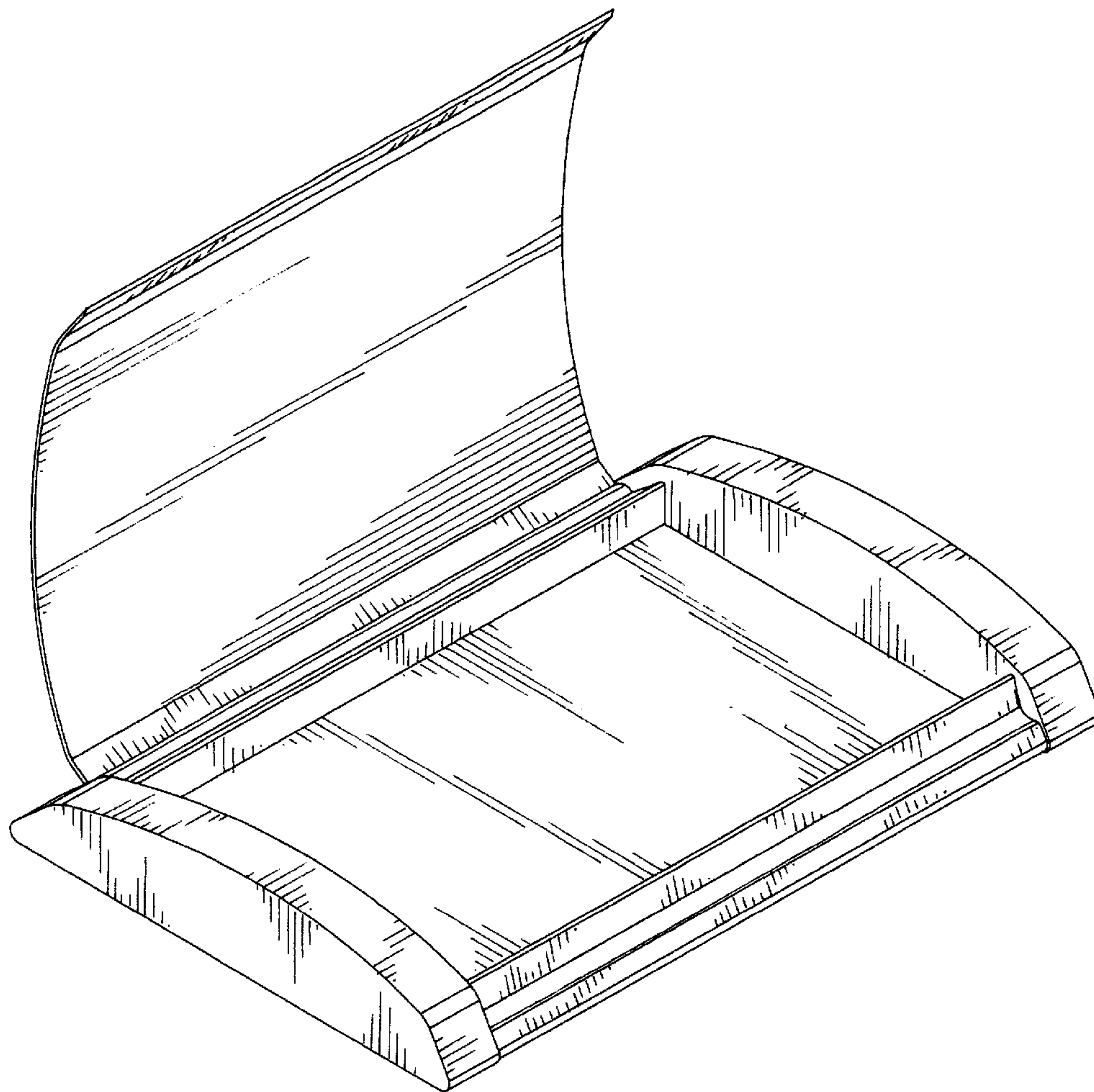
[57] **CLAIM**

The ornamental design for a box, as shown and described.

**DESCRIPTION**

FIG. 1 is a perspective view showing a box embodying my new design in closed position;  
FIG. 2 is a top plan view thereof;  
FIG. 3 is a bottom plan view thereof;  
FIG. 4 is a front elevational view thereof;  
FIG. 5 is a rear elevational view thereof;  
FIG. 6 is a left side view thereof;  
FIG. 7 is a right side view thereof; and,  
FIG. 8 is a perspective view with the cover of the box in open position.

**1 Claim, 4 Drawing Sheets**



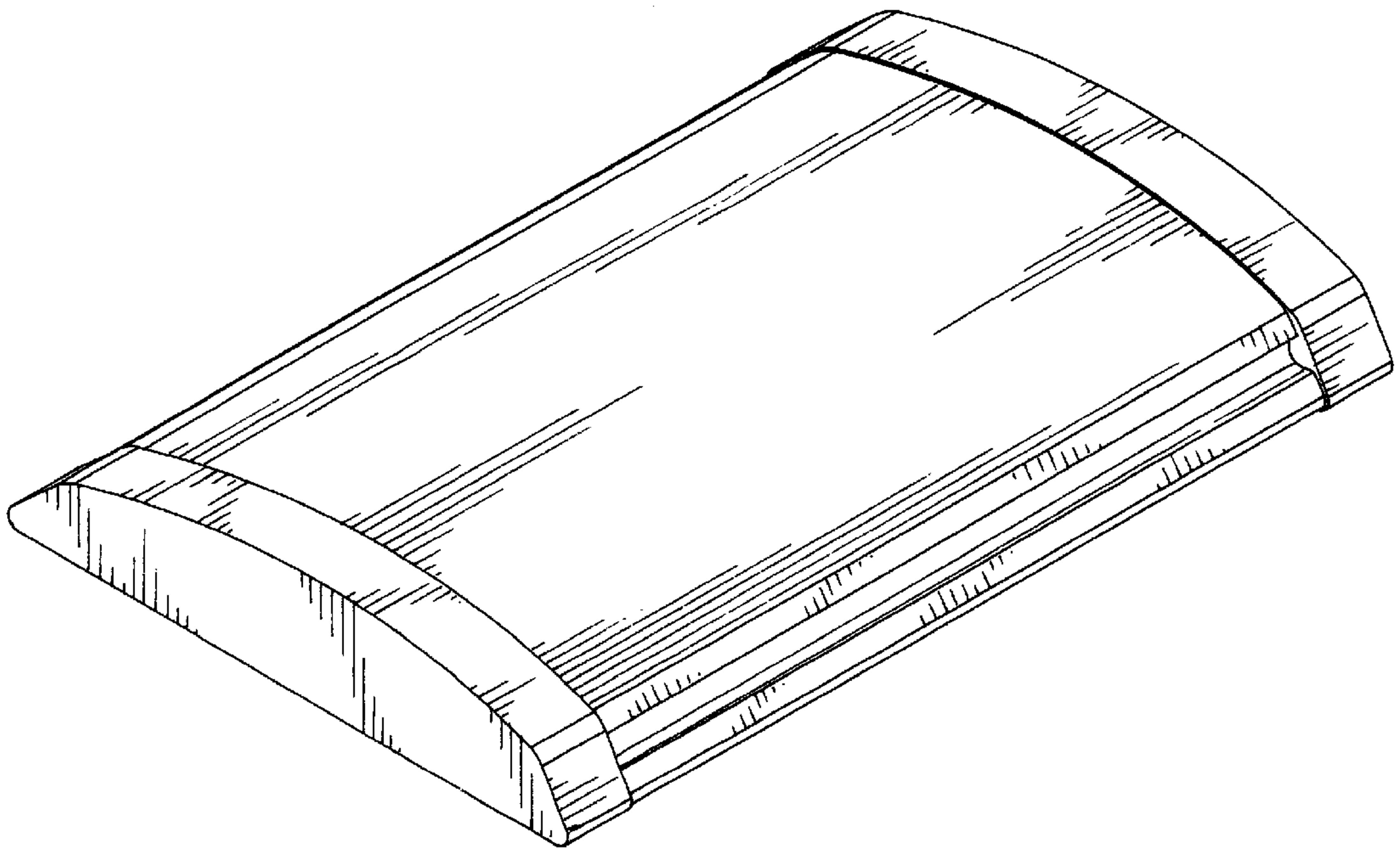


FIG. 1

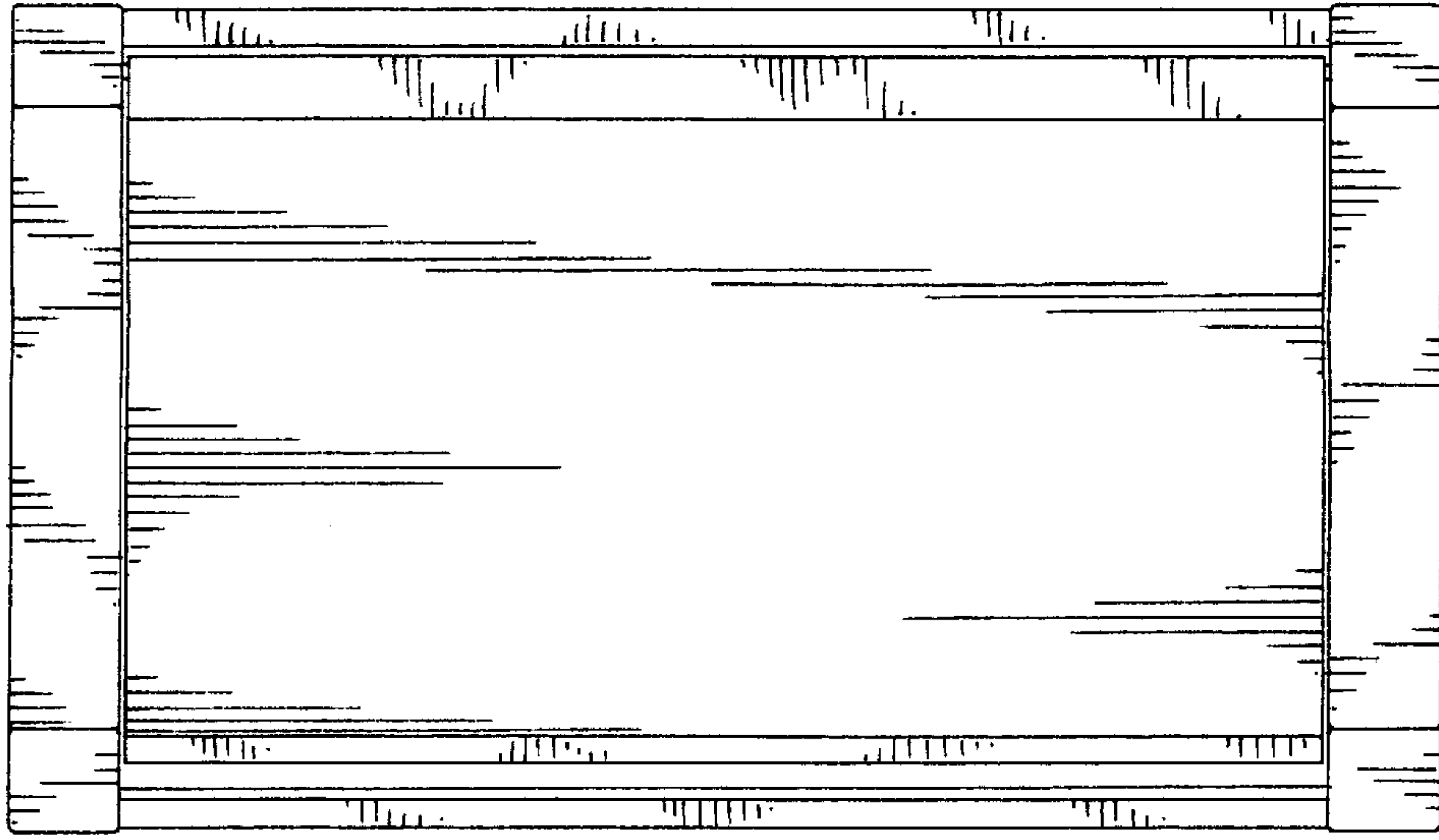


FIG. 2

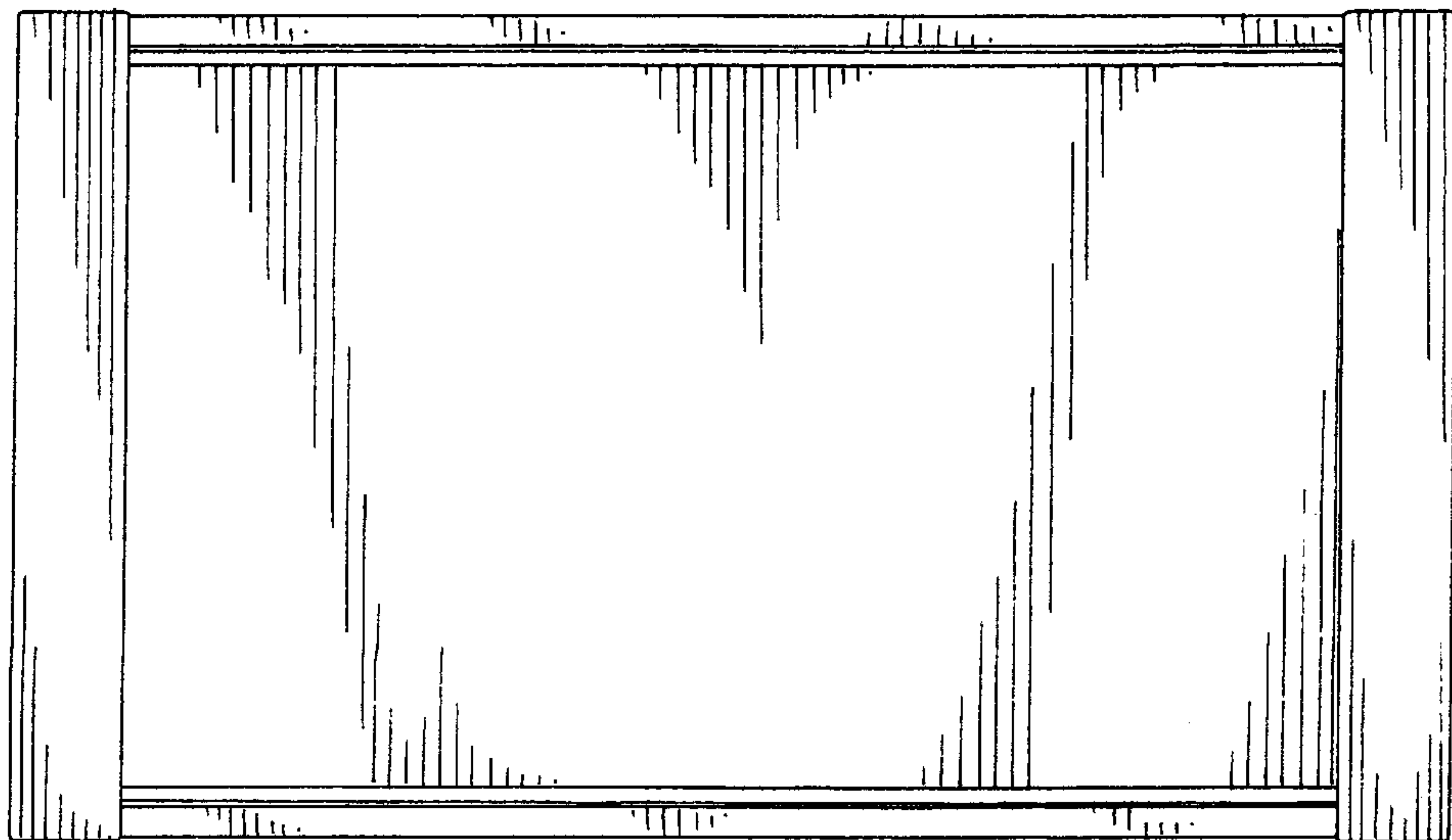


FIG. 3



FIG. 4

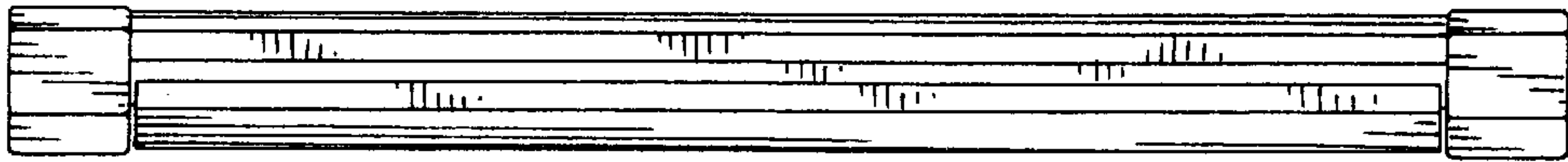


FIG. 5

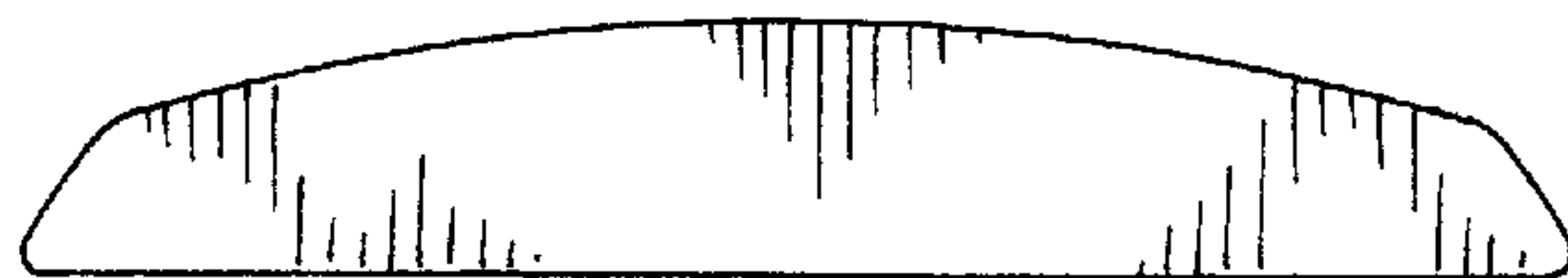


FIG. 6



FIG. 7

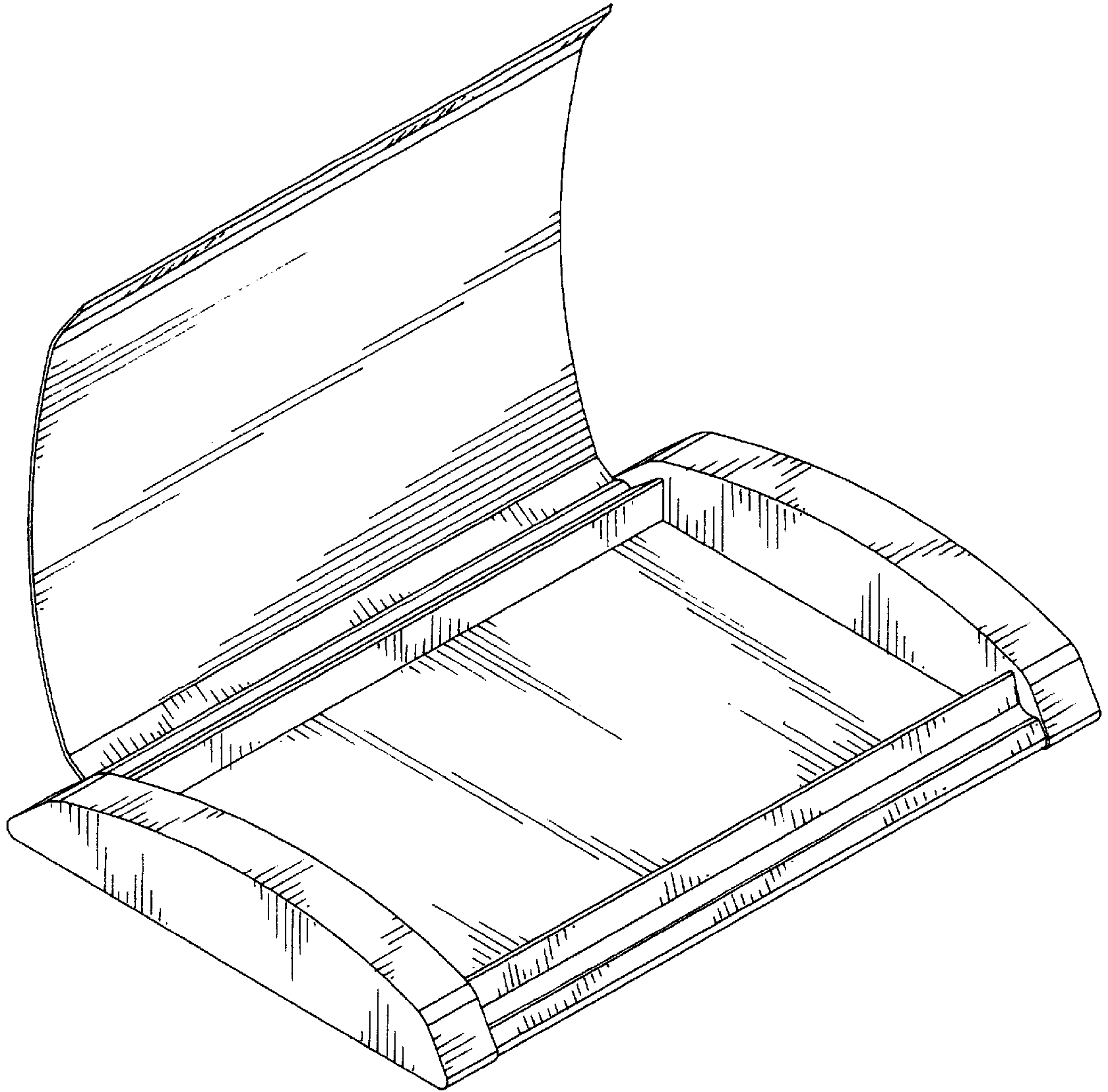


FIG. 8