



US00D423342S

United States Patent [19]

Popesco

[11] Patent Number: Des. 423,342

[45] Date of Patent: ** Apr. 25, 2000

[54] PERFUME BOTTLE

[76] Inventor: Catherine Popesco, 600 San Lorenzo St., Santa Monica, Calif. 90402

[**] Term: 14 Years

[21] Appl. No.: 29/108,684

[22] Filed: Jul. 28, 1999

[51] LOC (6) Cl. 09-01

[52] U.S. Cl. D9/307; D21/505

[58] Field of Search D9/300, 307; D21/483, D21/484, 504, 505; 206/457; 446/124, 128; 215/382-384, 400

[56] References Cited

U.S. PATENT DOCUMENTS

D. 76,976	11/1928	Applebaum	D9/307
D. 289,142	4/1987	Bijaoui	D9/307
1,527,051	2/1925	Longan	434/235
4,602,908	7/1986	Kroeber	446/128

Primary Examiner—Terry A. Wallace

Attorney, Agent, or Firm—William H. Wright

[57] CLAIM

The ornamental design for a perfume bottle, as shown and described.

DESCRIPTION

FIG. 1 is an elevated perspective view of my three component, four-sided, pyramid shaped perfume bottle.

FIG. 2 is a side view thereof. The view of each of the four sides is the same.

FIG. 3 is a side view of a corner thereof. The view of each of the four corners is the same.

FIG. 4 is a top view thereof.

FIG. 5 is a bottom view thereof.

FIG. 6 is an elevated perspective view of my four-sided, pyramid shaped perfume bottle with the three components separated, as is normal in the use thereof, showing the top surface design of each component visible during use of the product.

FIG. 7 is a bottom view of the middle component of the four sided, three component, pyramid shaped perfume bottle of FIG. 1.

FIG. 8 is a bottom view of the top component of the four sided, three component, pyramid shaped perfume bottle of FIG. 1.

FIG. 9 is an elevated perspective view of three sided, three component, pyramid shaped perfume bottle incorporating the design features of my invention.

FIG. 10 is a side view of the embodiment of FIG. 9. The view of each of the three sides is the same.

FIG. 11 is a side view of a corner of the embodiment of FIG. 9. The view of each of the three corner is the same.

FIG. 12 is a top view of the embodiment of FIG. 9.

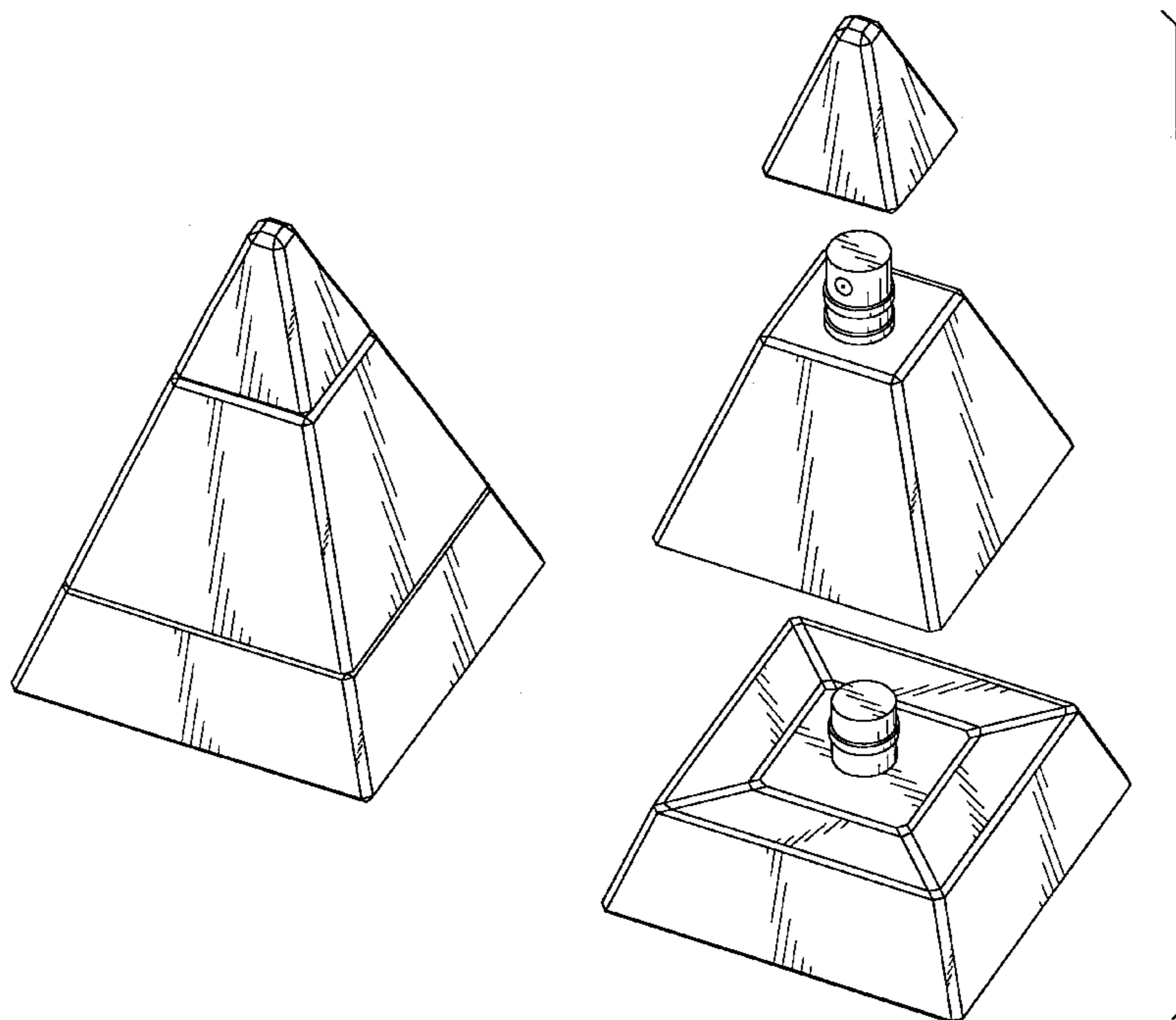
FIG. 13 is a bottom view of the embodiment of FIG. 9.

FIG. 14 is an elevated perspective view of the three sided, pyramid shaped perfume bottle of FIG. 9 with the three components separated, as is normal in the use thereof, to show the top surface design of each components visible during use of the product.

FIG. 15 is a bottom view of the middle component of the three sided, three component, pyramid shaped perfume bottle of FIG. 9; and,

FIG. 16 is a bottom view of the top component of the three sided, three component, pyramid shaped perfume bottle of FIG. 9.

1 Claim, 4 Drawing Sheets



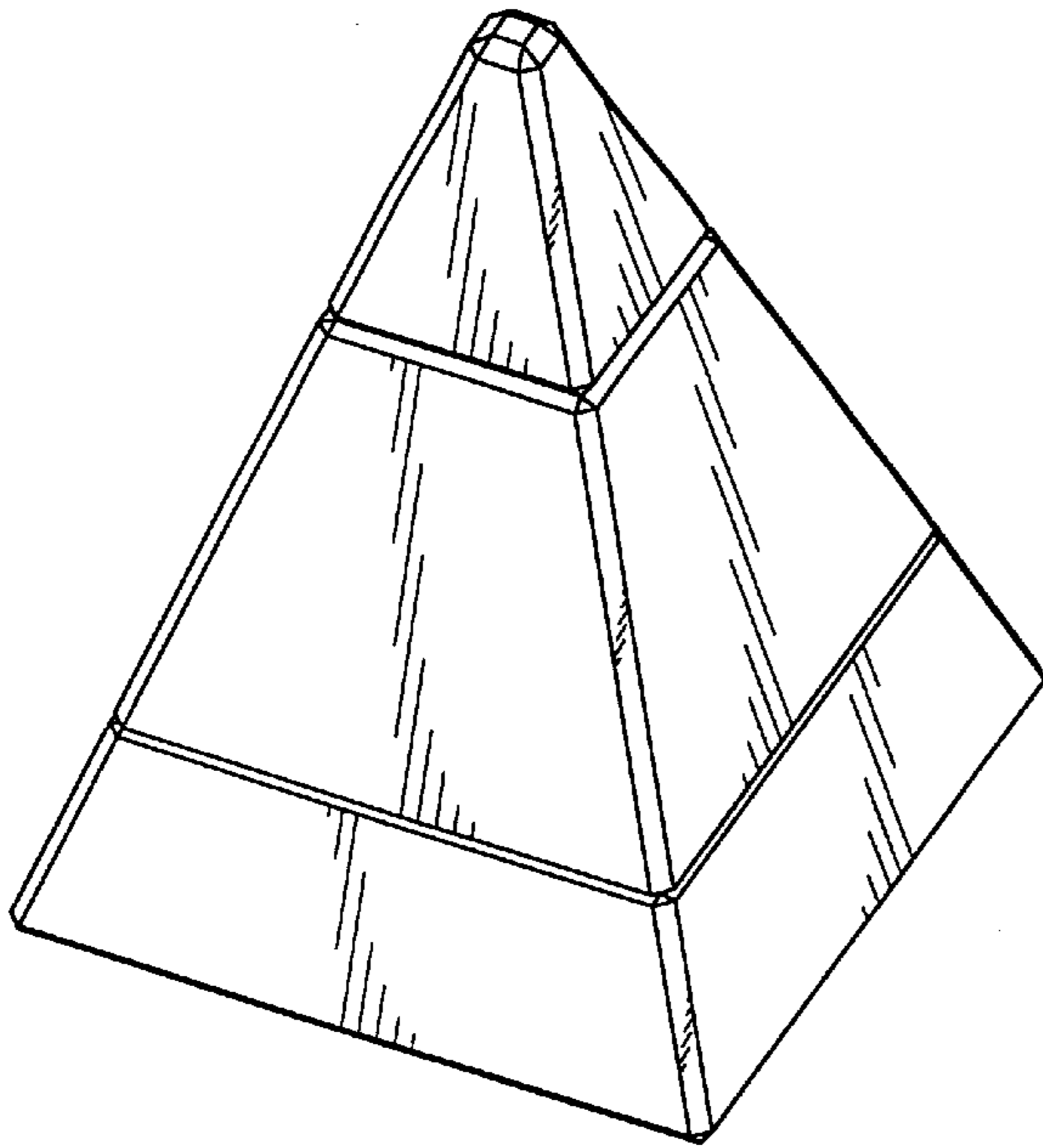


FIG. 1

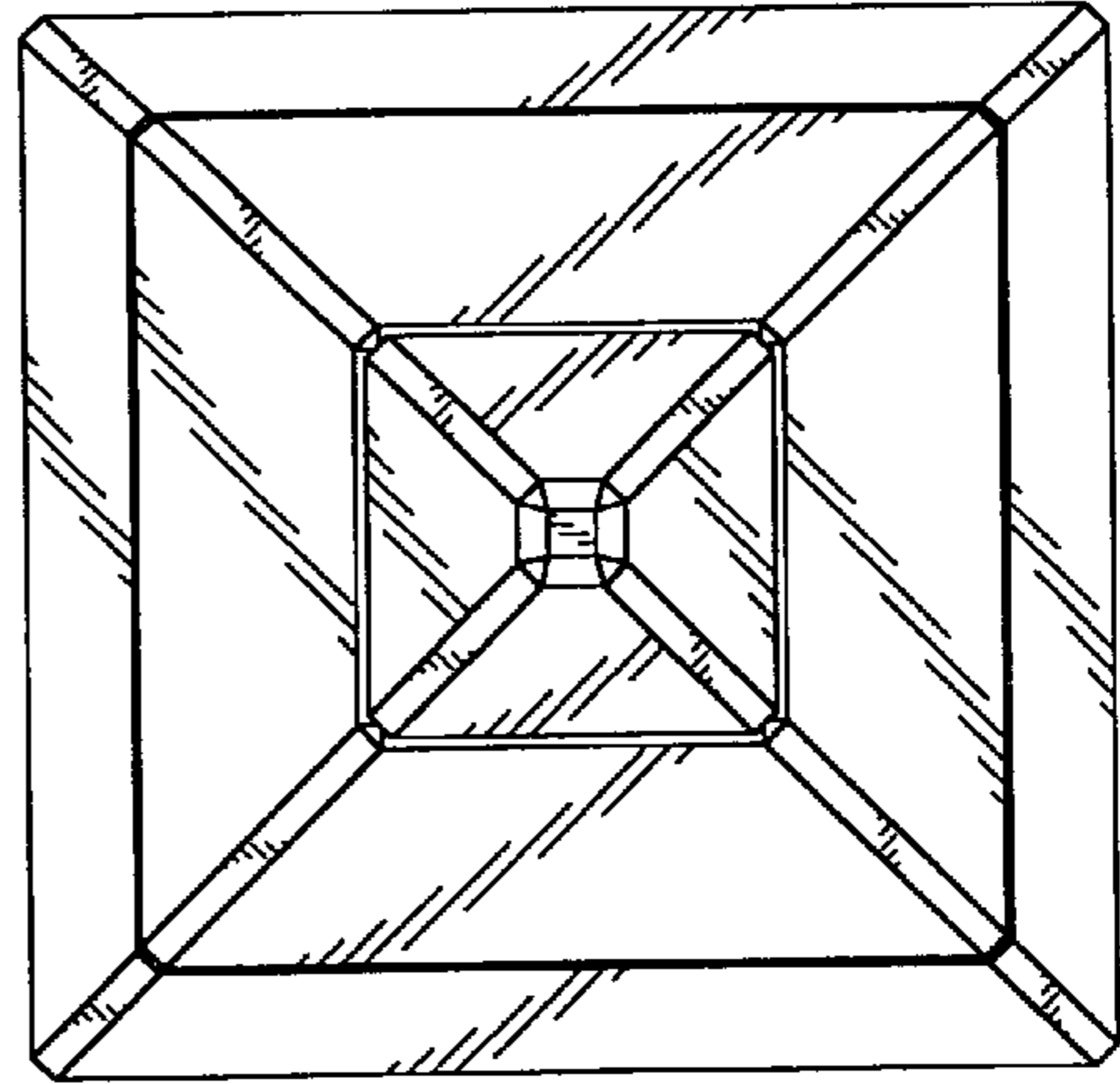


FIG. 4

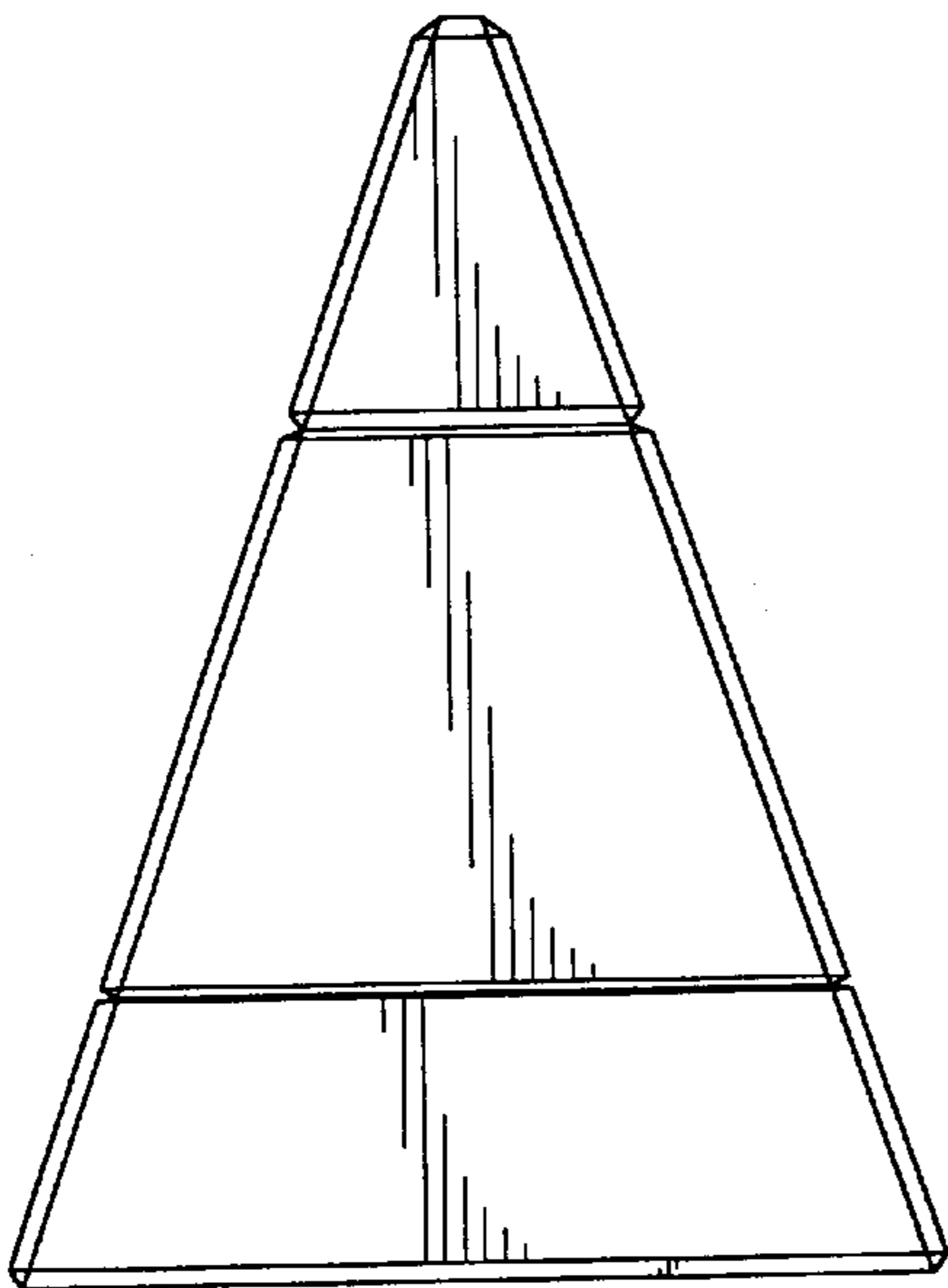


FIG. 2

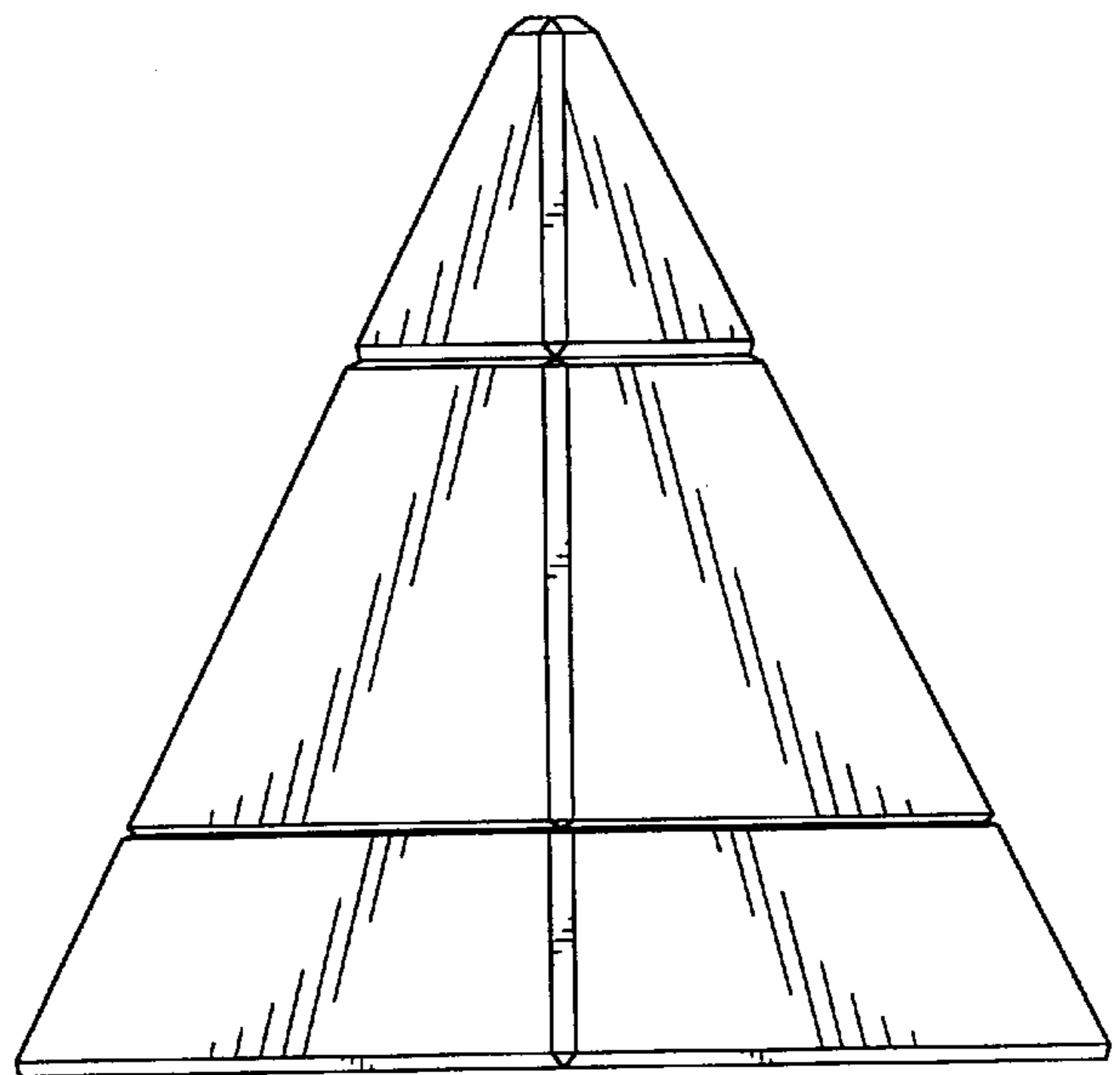


FIG. 3

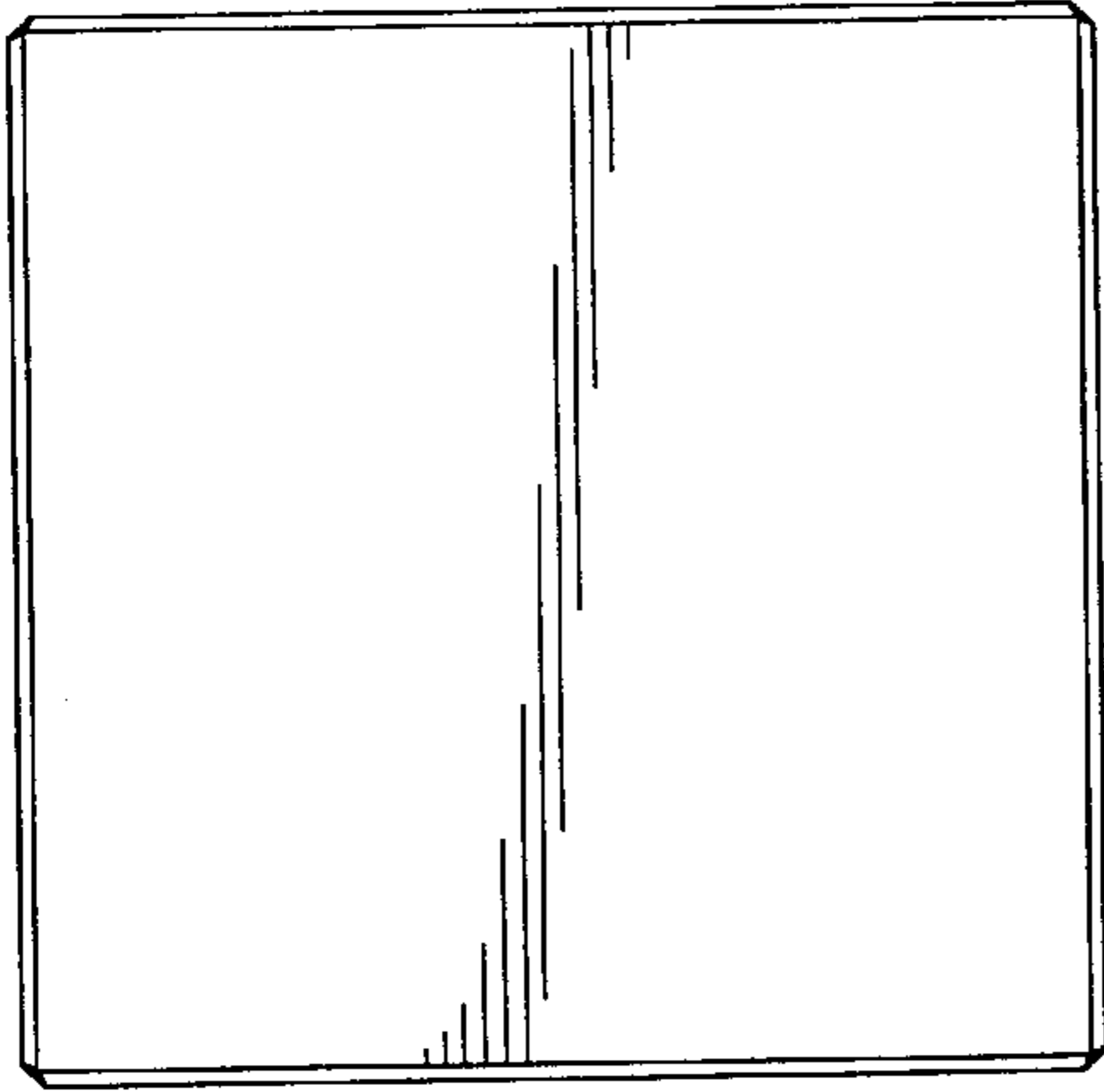


FIG. 5

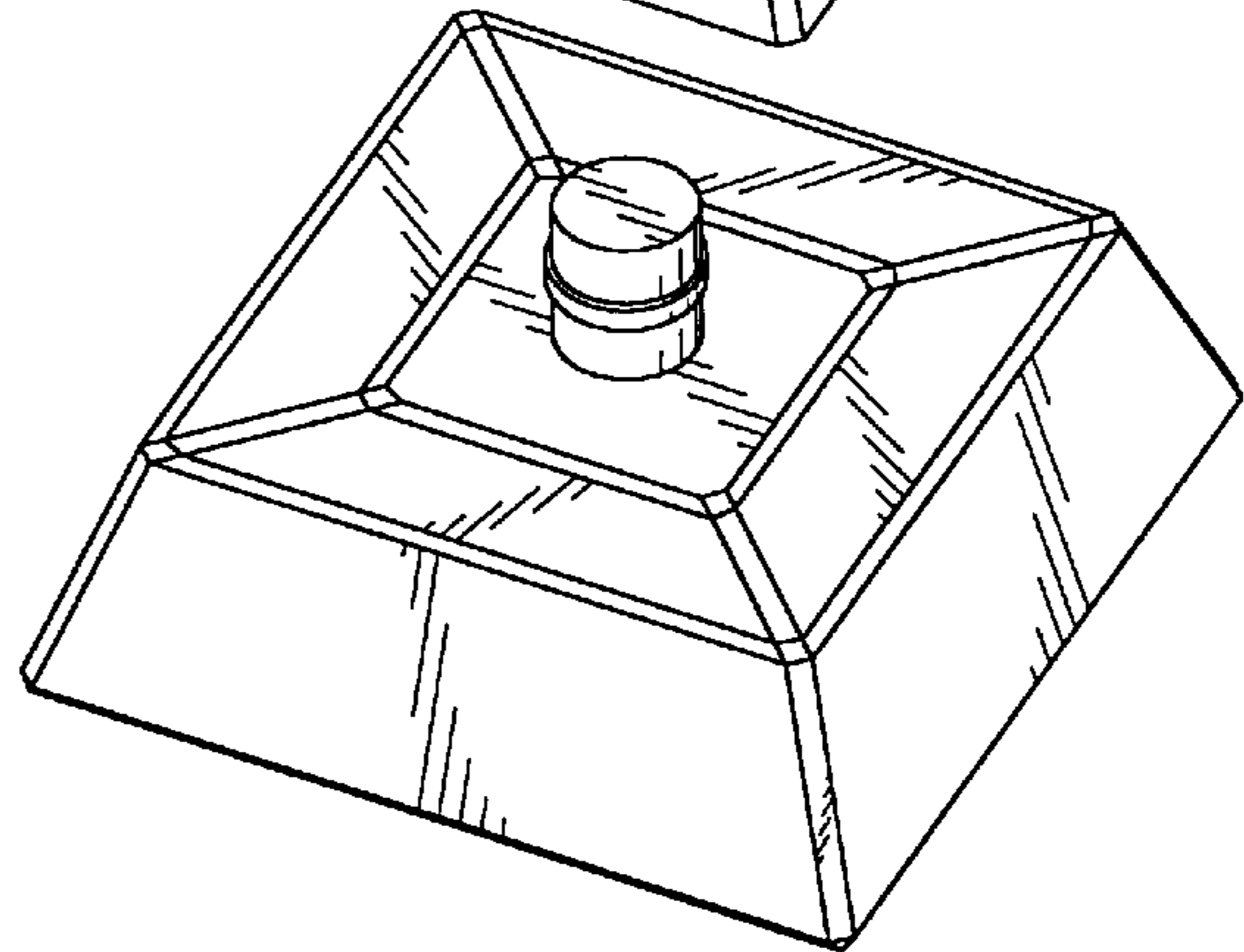
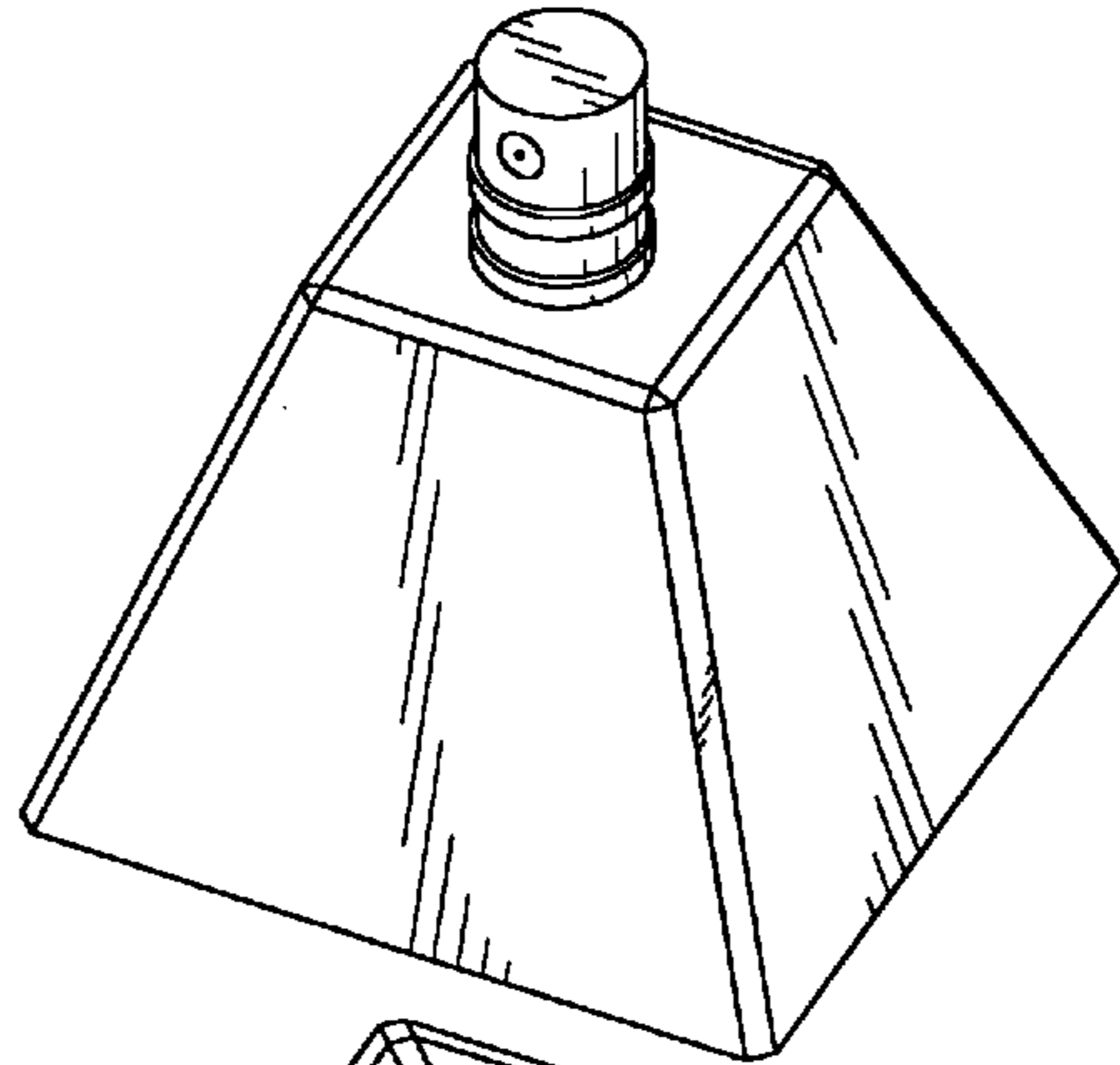
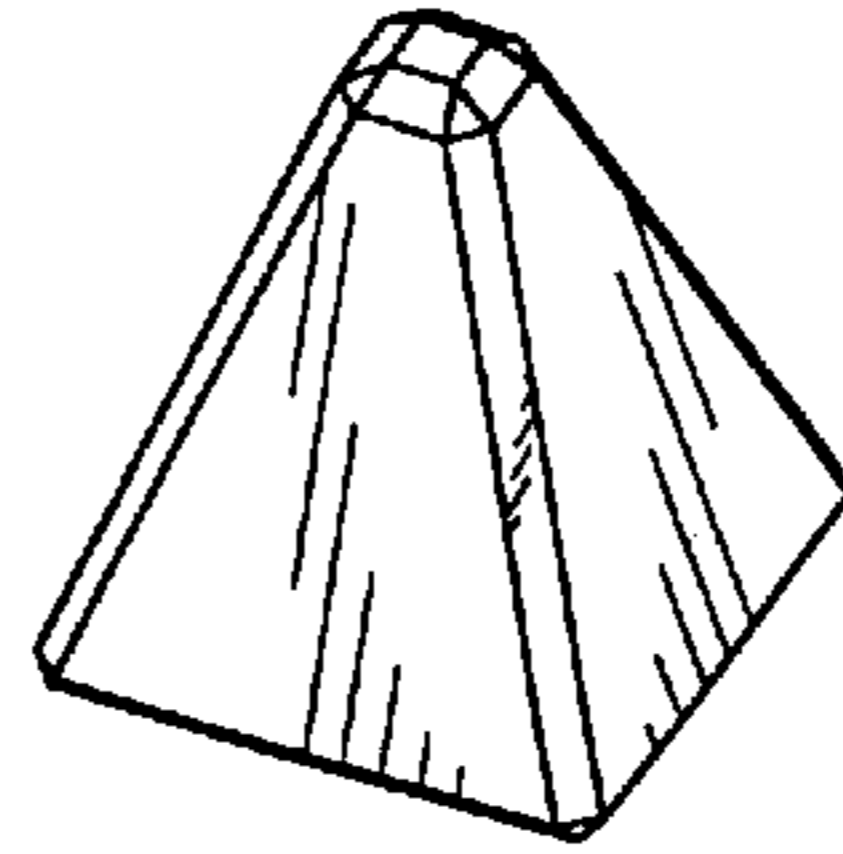


FIG. 6

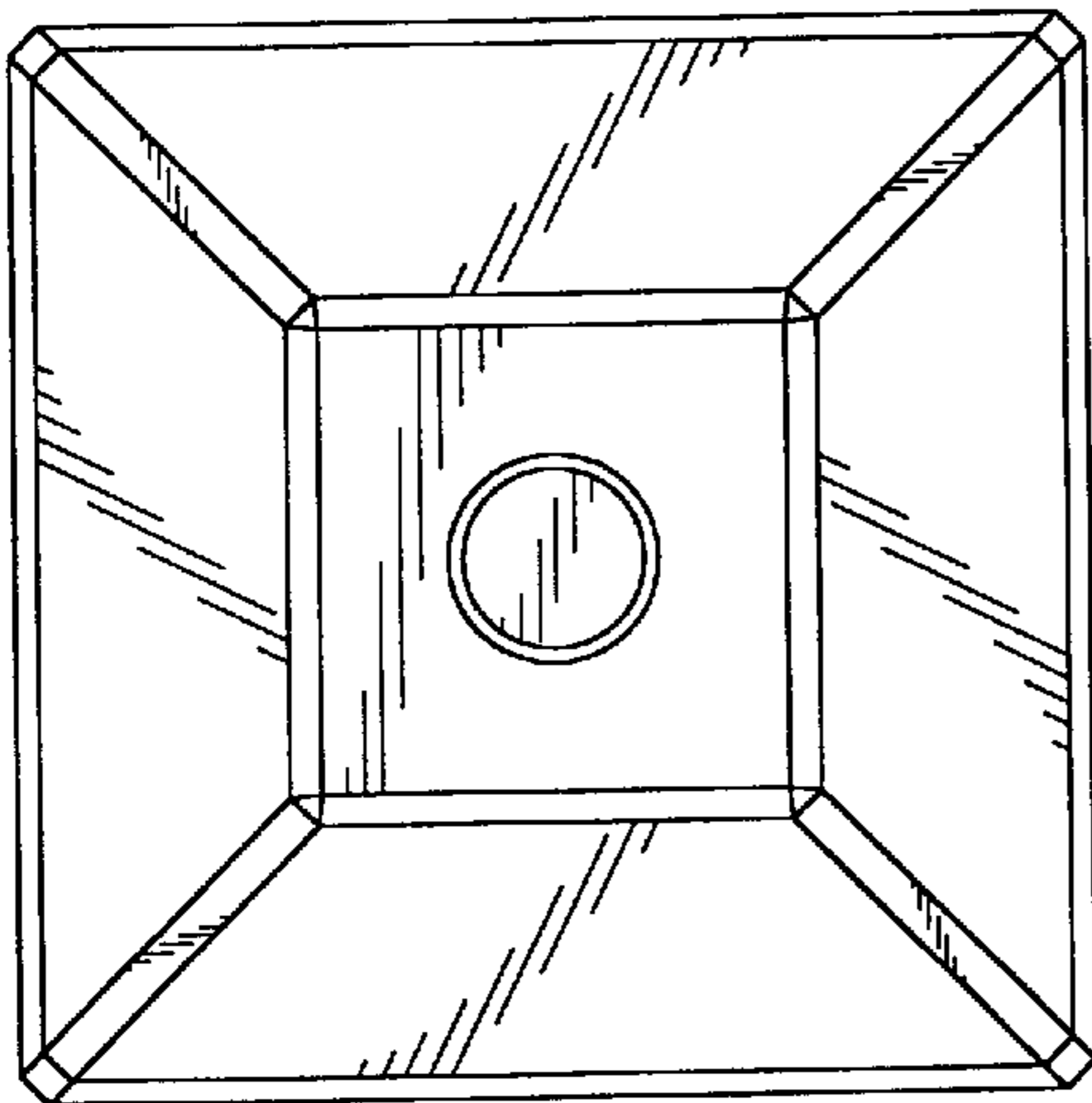


FIG. 7

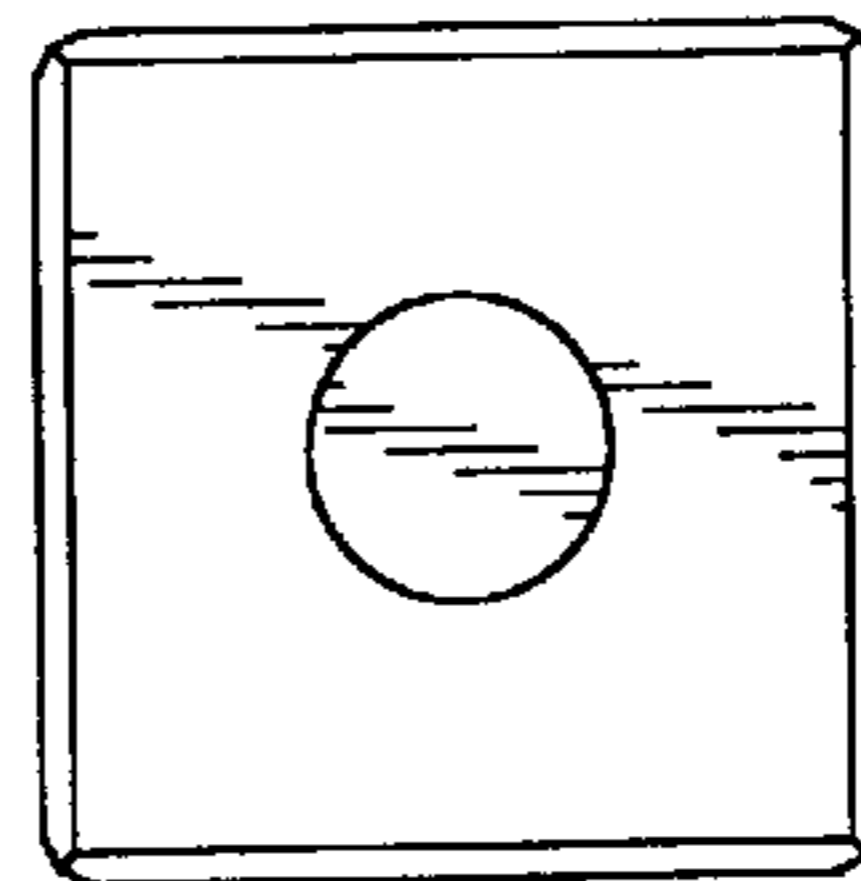


FIG. 8

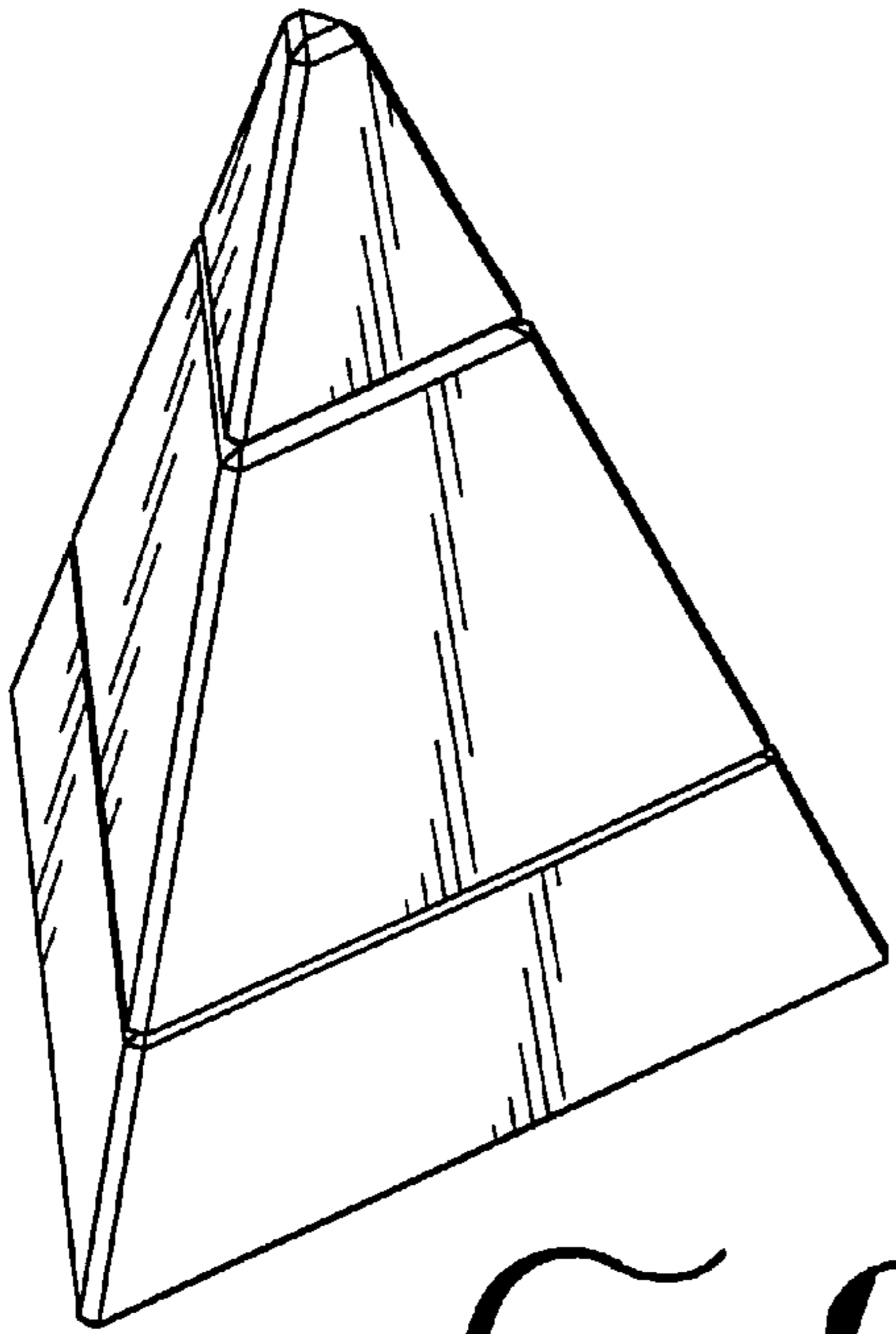


FIG. 9

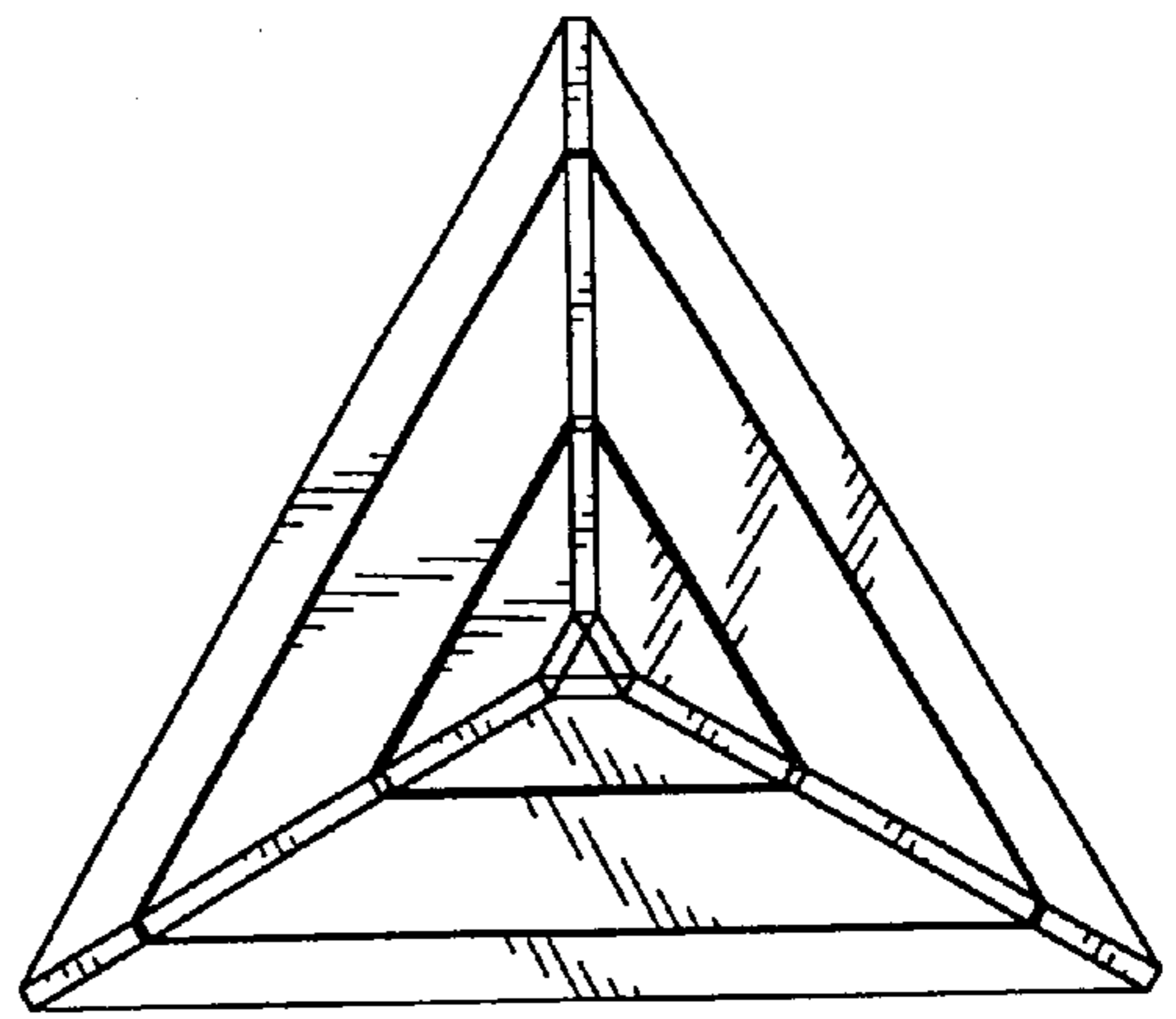


FIG. 12

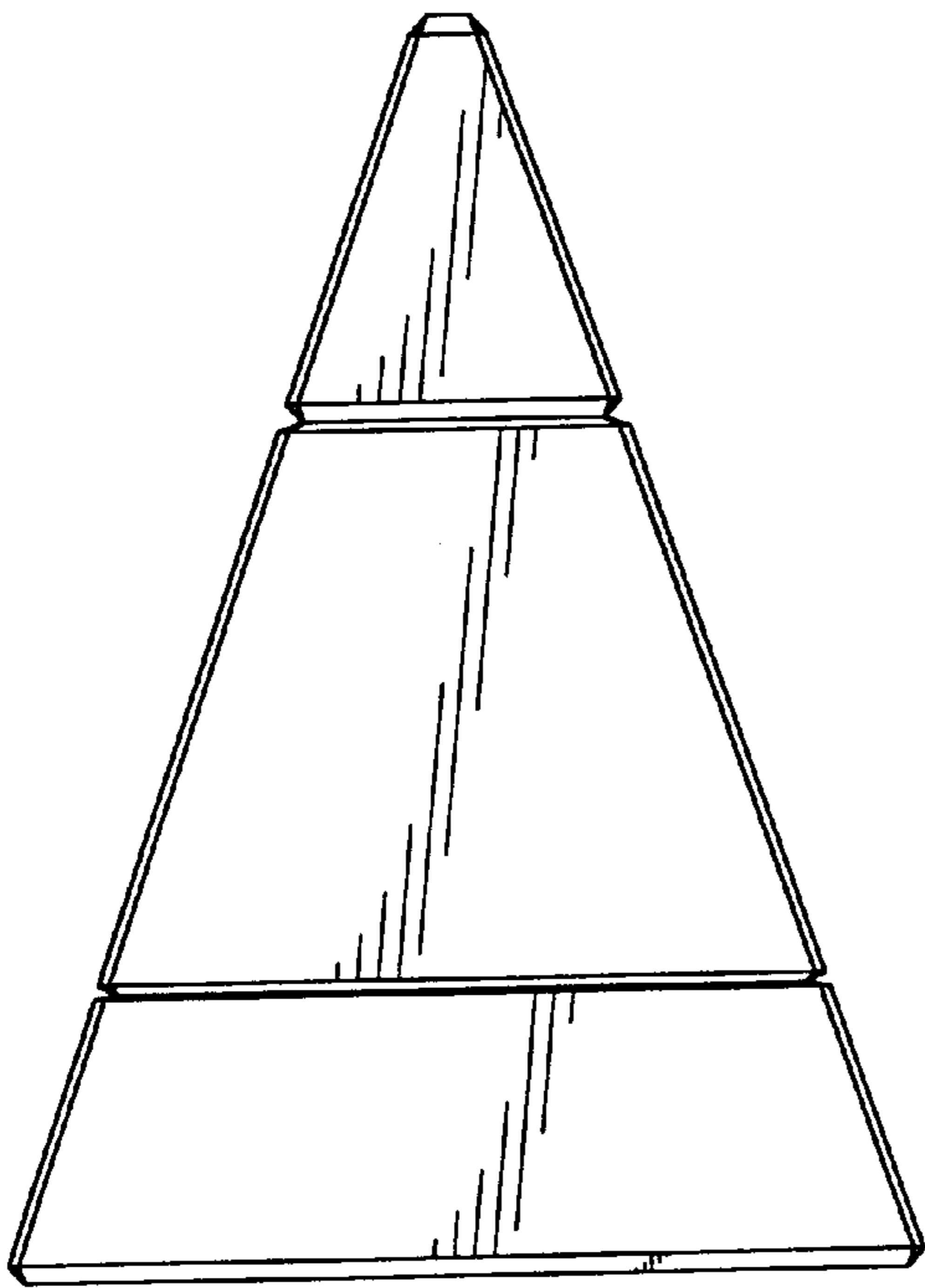


FIG. 10

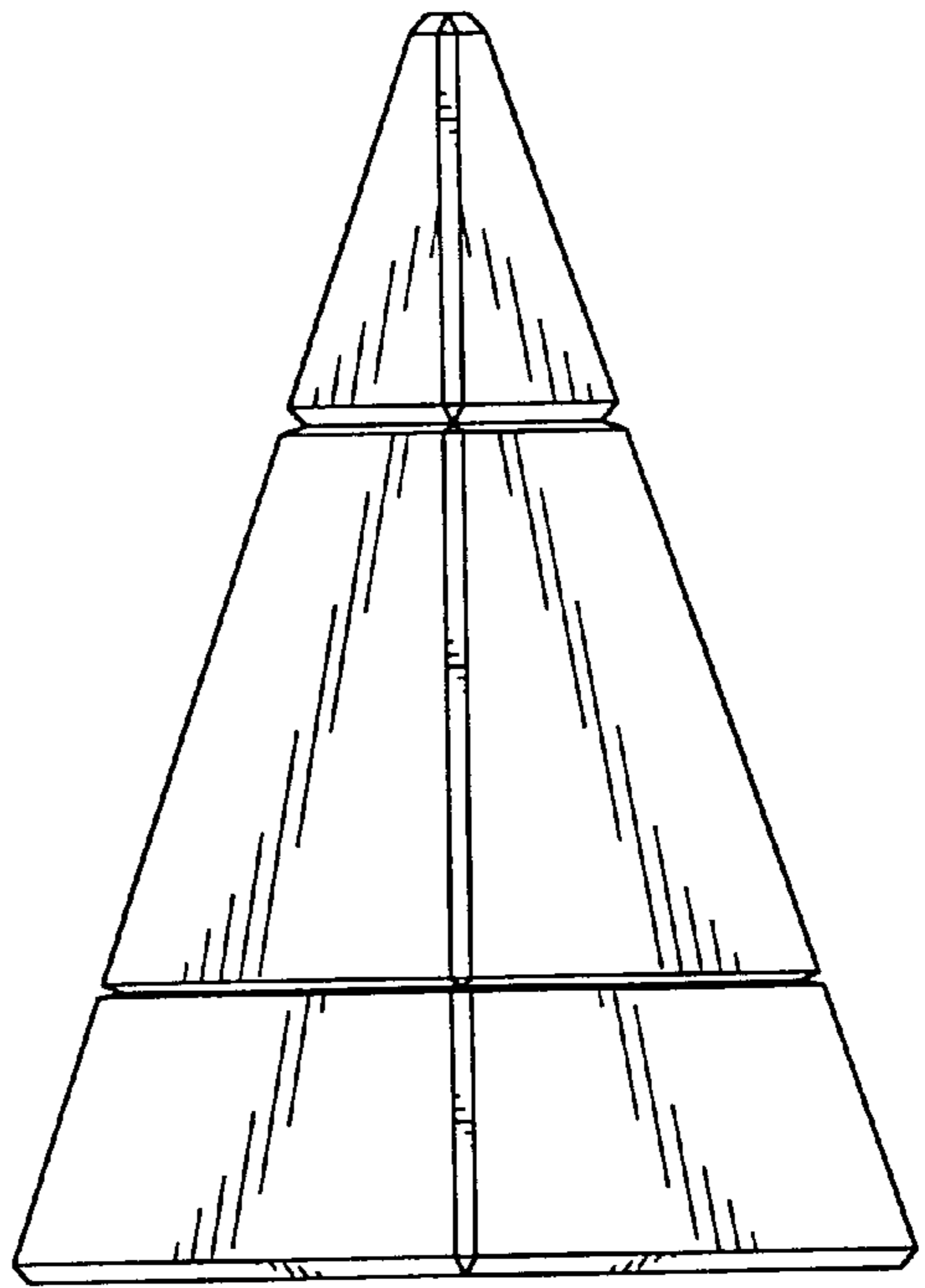


FIG. 11

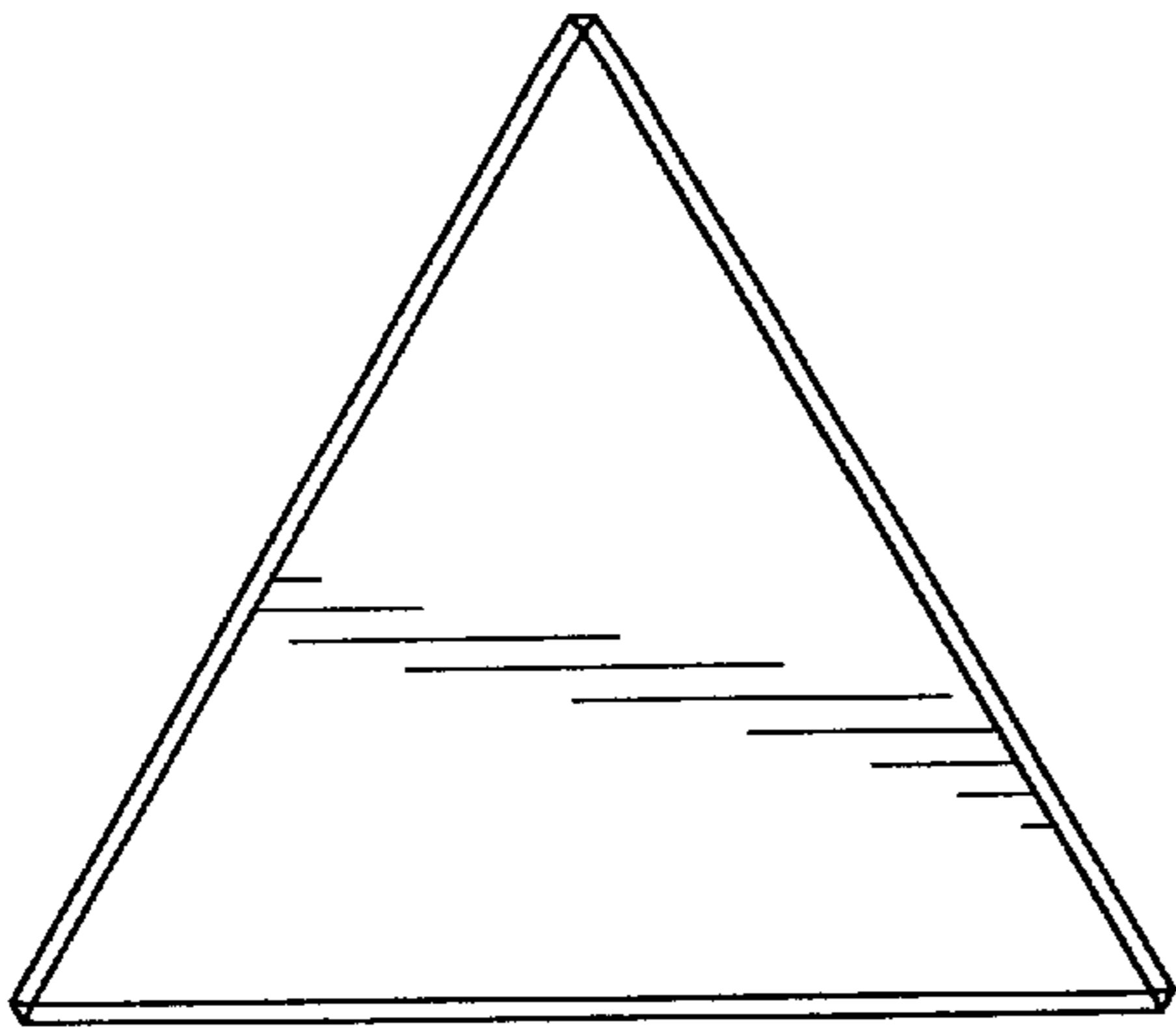


FIG. 13

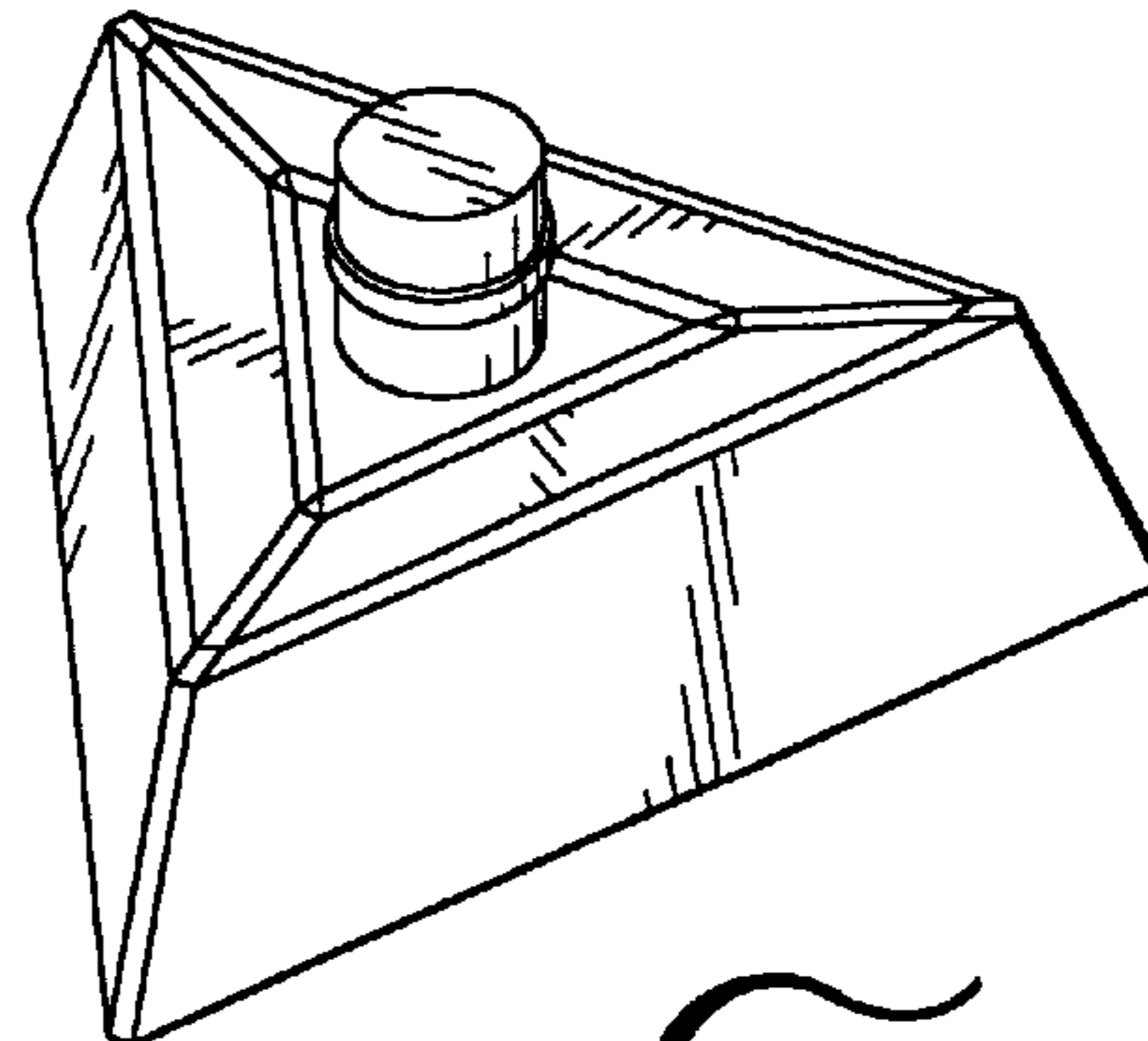
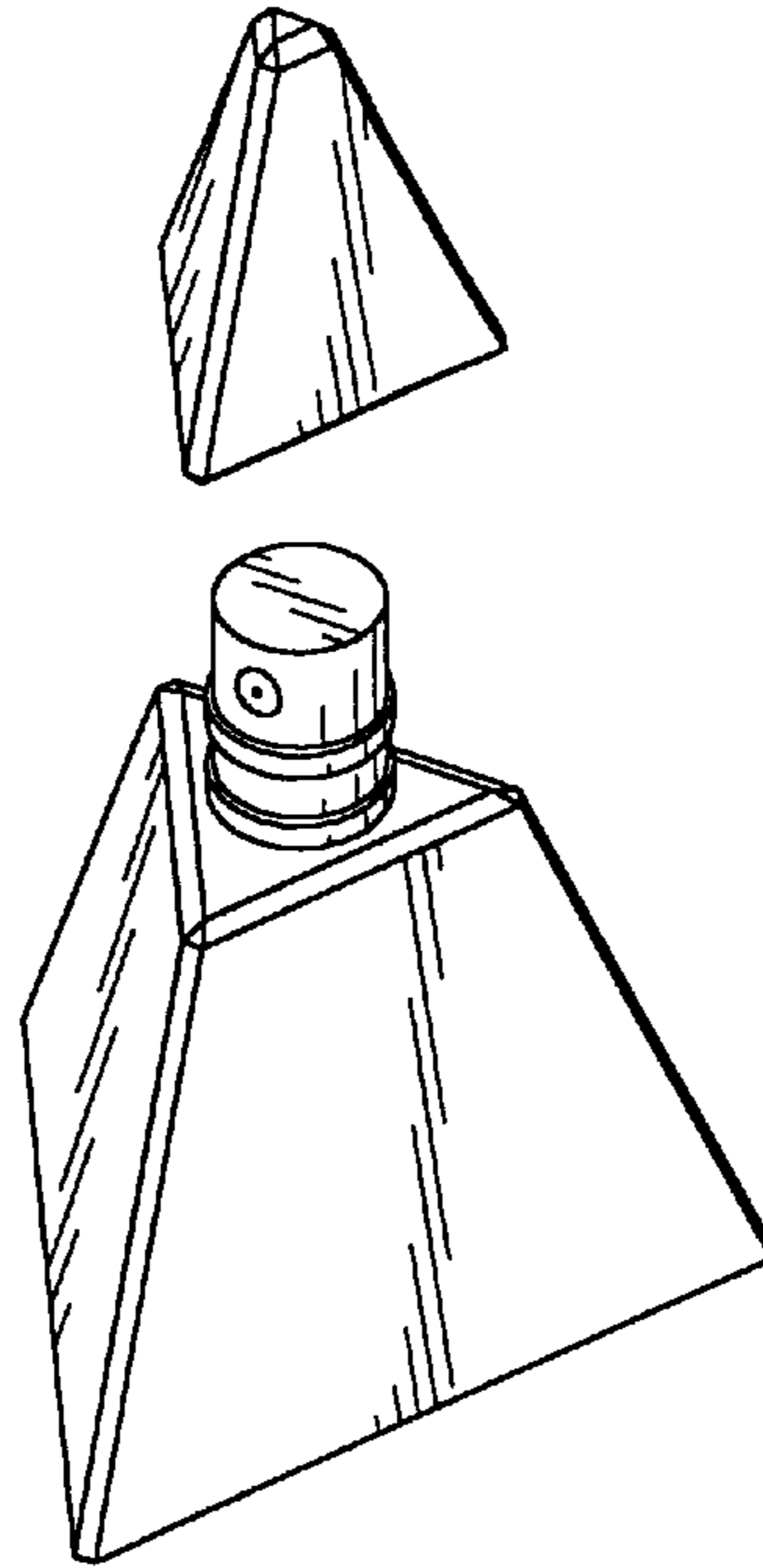


FIG. 14

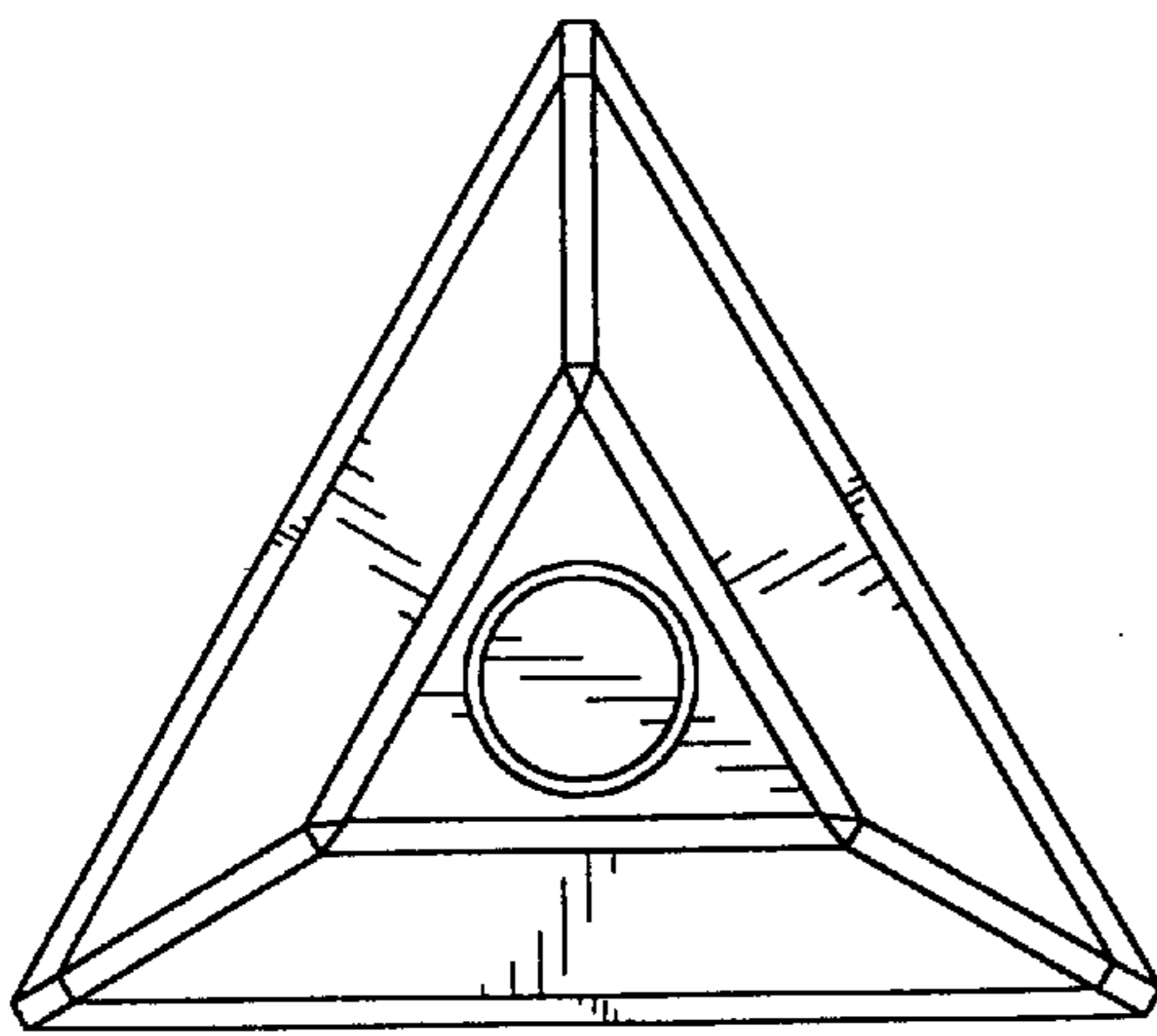


FIG. 15

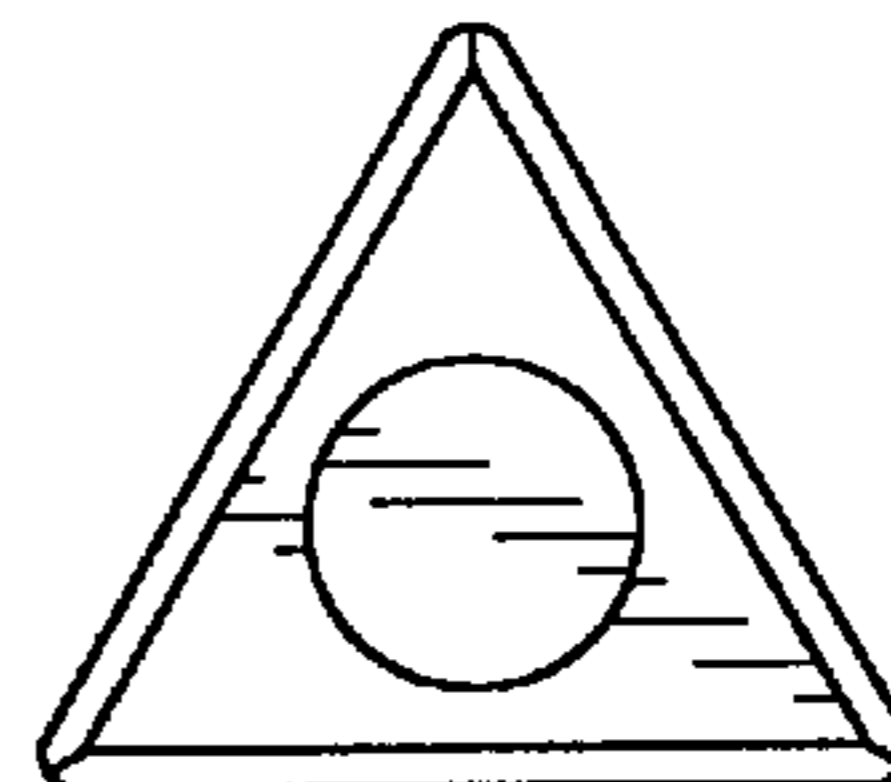


FIG. 16